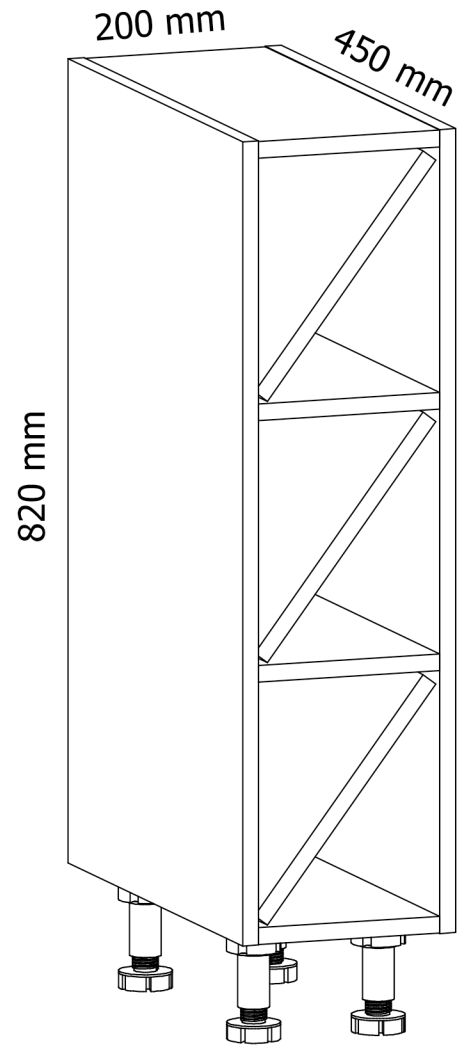
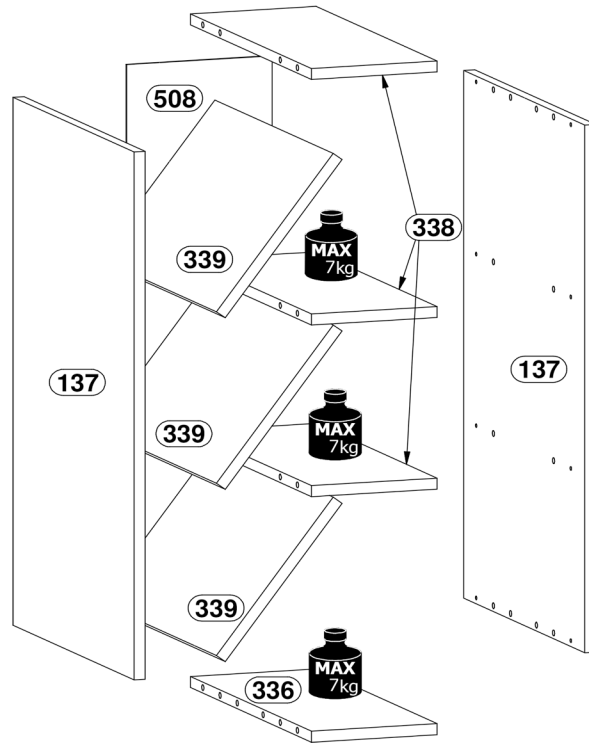
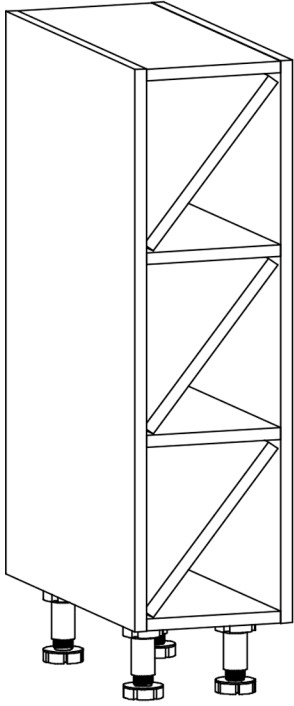





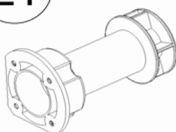

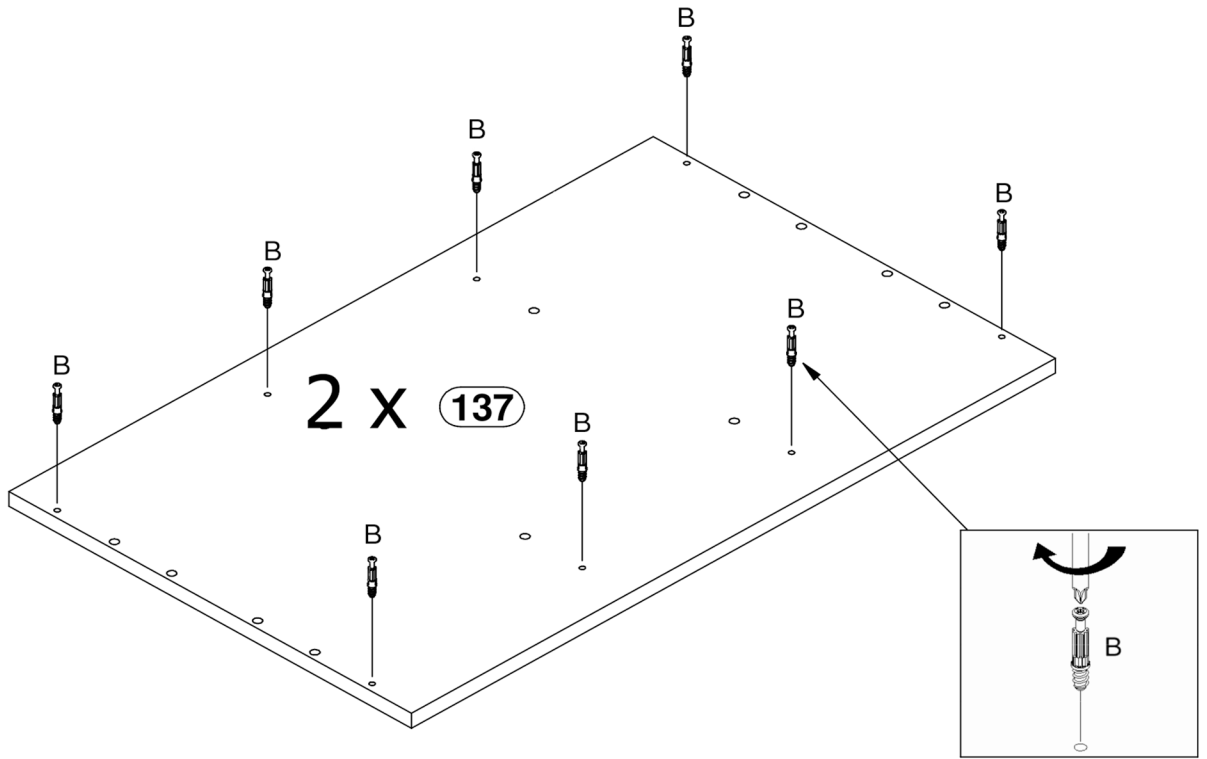


# D20W

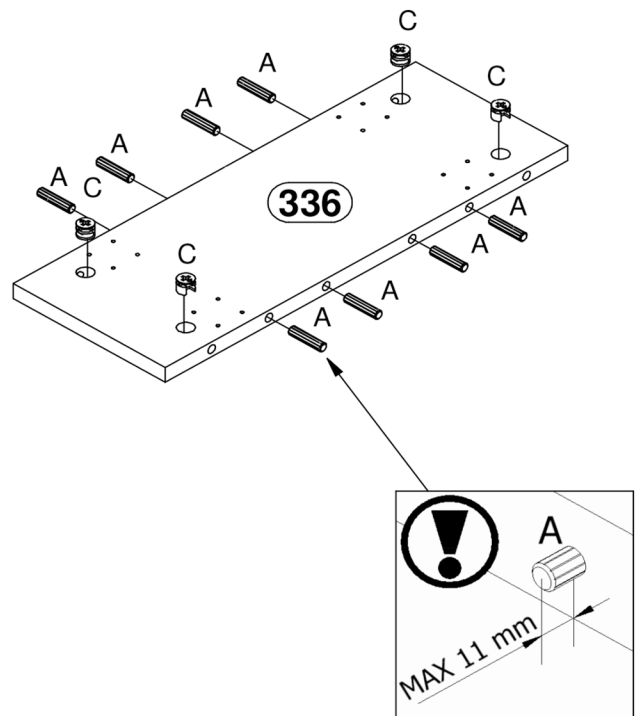
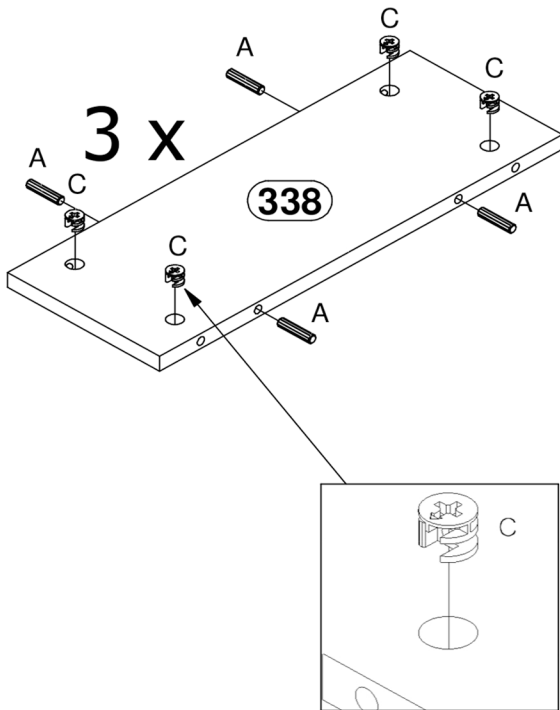


<p><b>A</b> x20</p>  <p>Ø8x35mm</p>	<p><b>B</b> x16</p> 	<p><b>C</b> x16</p>  <p>Ø15x12mm</p>	<p><b>Y</b> x16</p>  <p>Ø18 mm</p>
<p><b>G</b> x25</p> 	<p><b>L1</b> x4</p> 	<p><b>W2</b> x16</p>  <p>Ø3,5x16mm</p>	

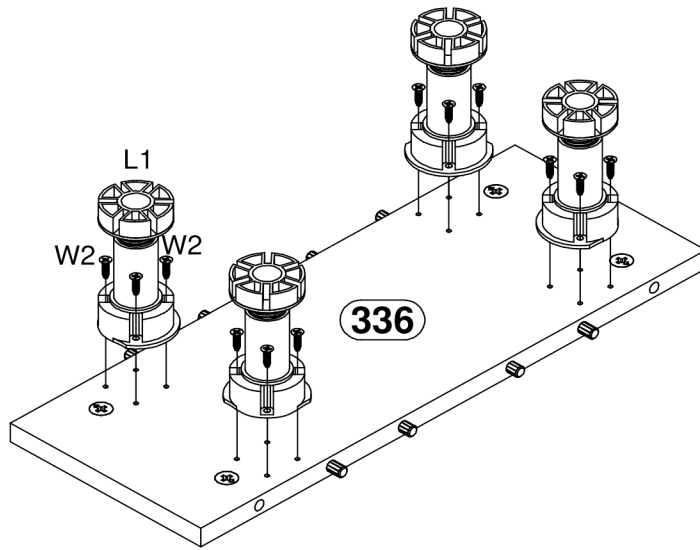
# 1



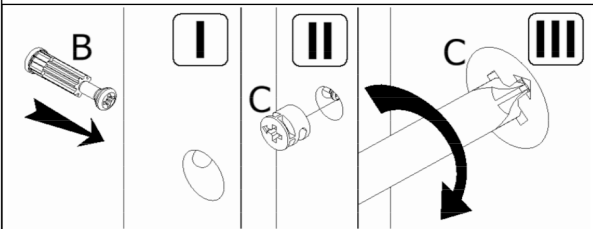
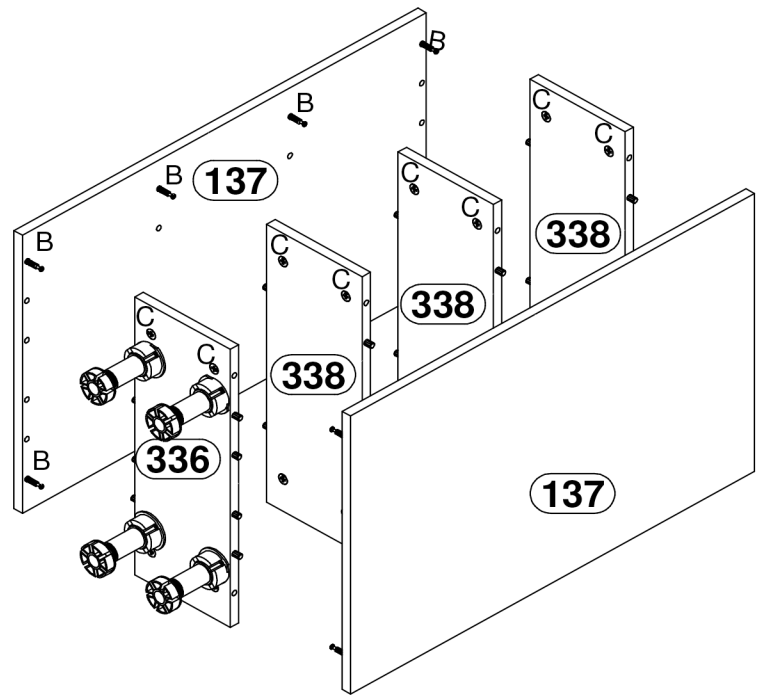
# 2



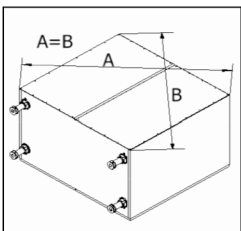
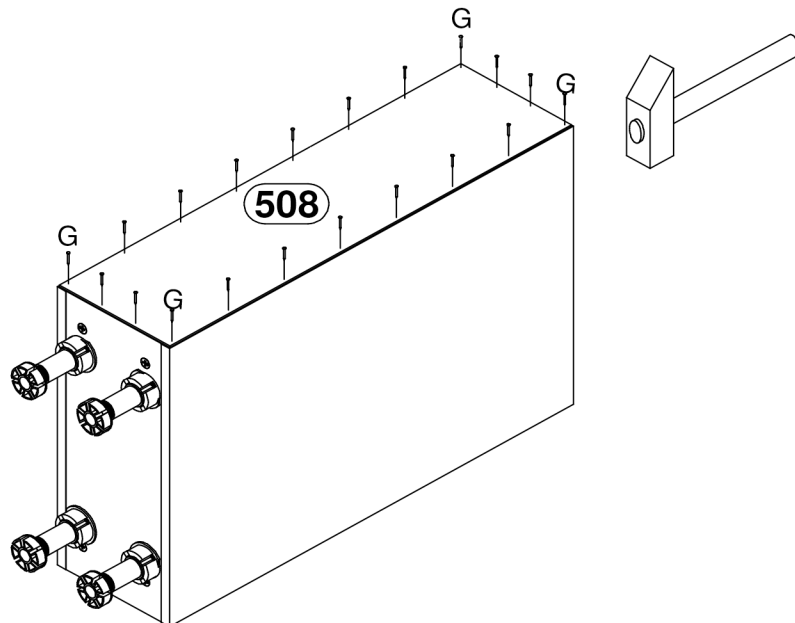
# 3

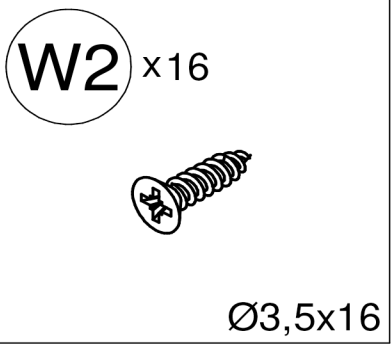
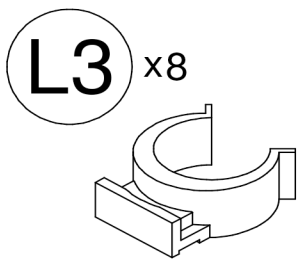
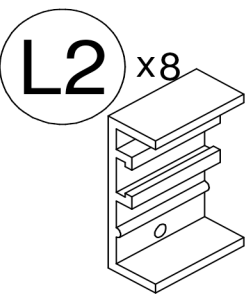
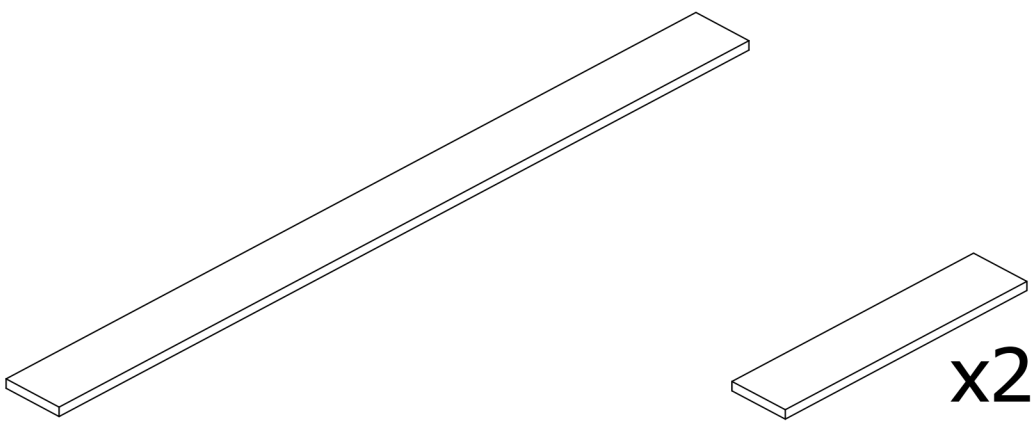
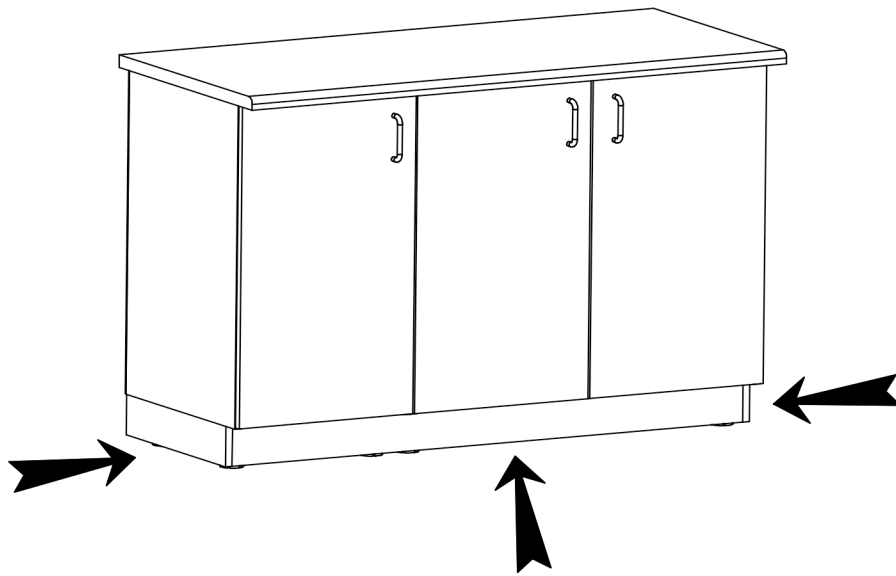


# 4



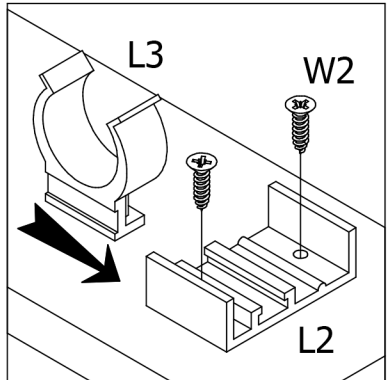
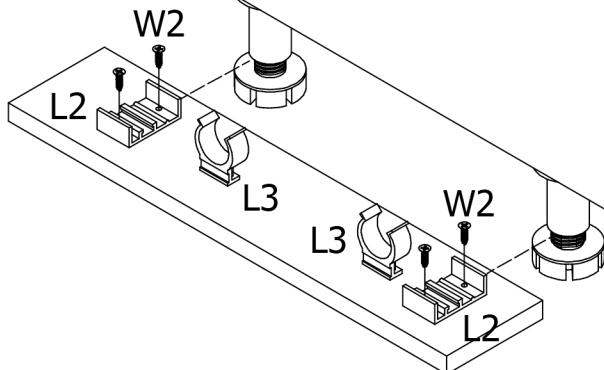
# 5





Ø3,5x16

6



7

