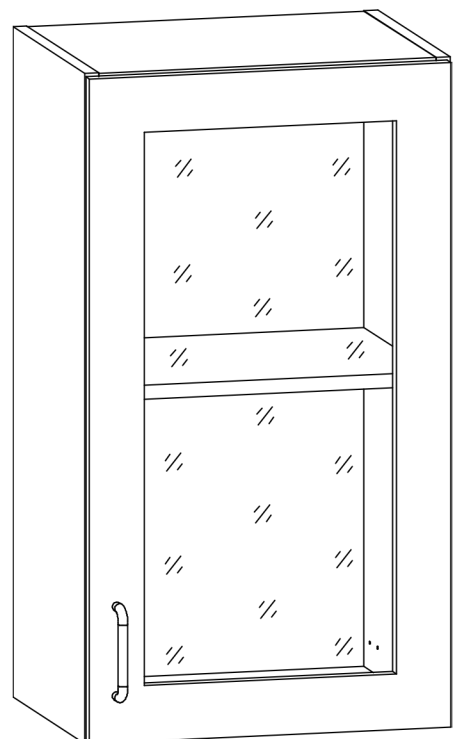
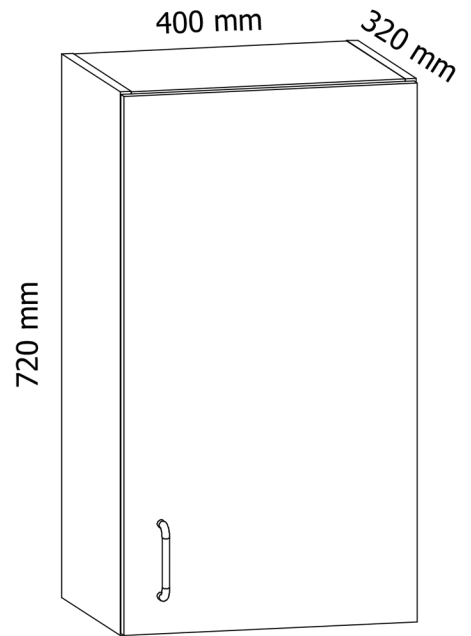
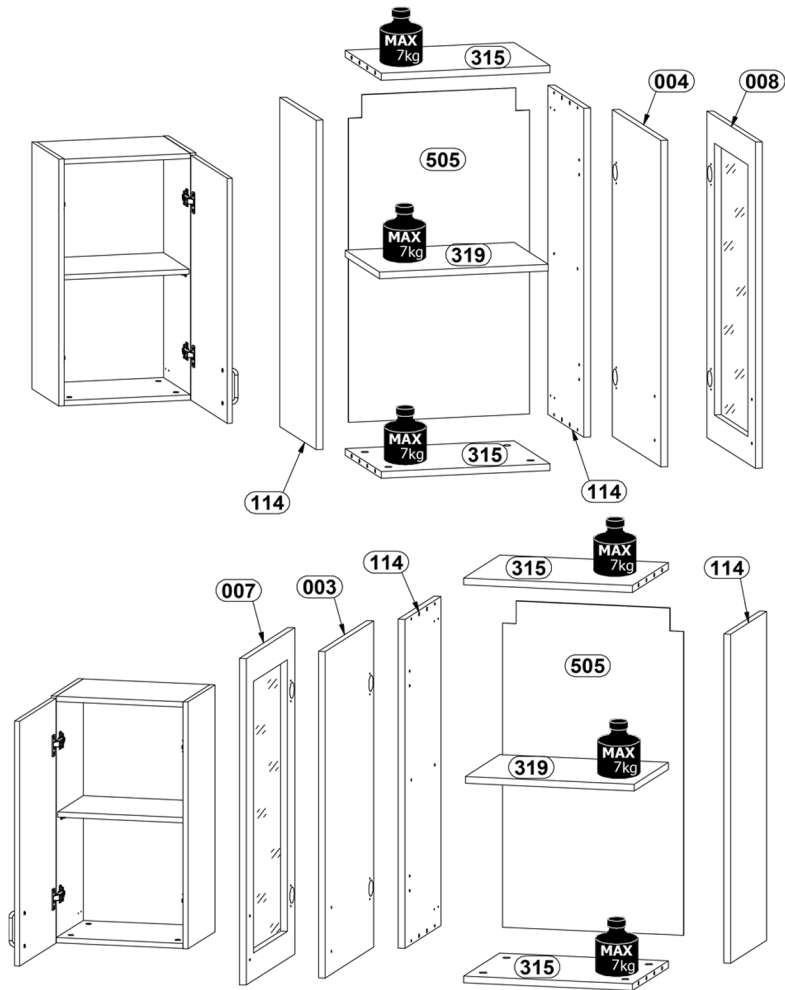
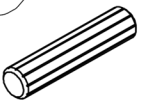



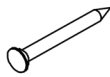
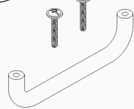
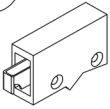
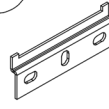



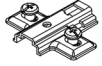
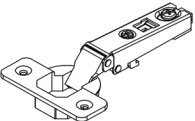
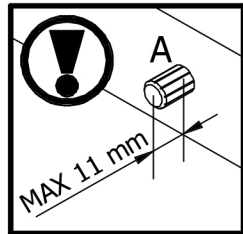
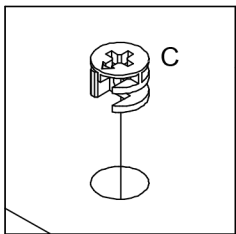
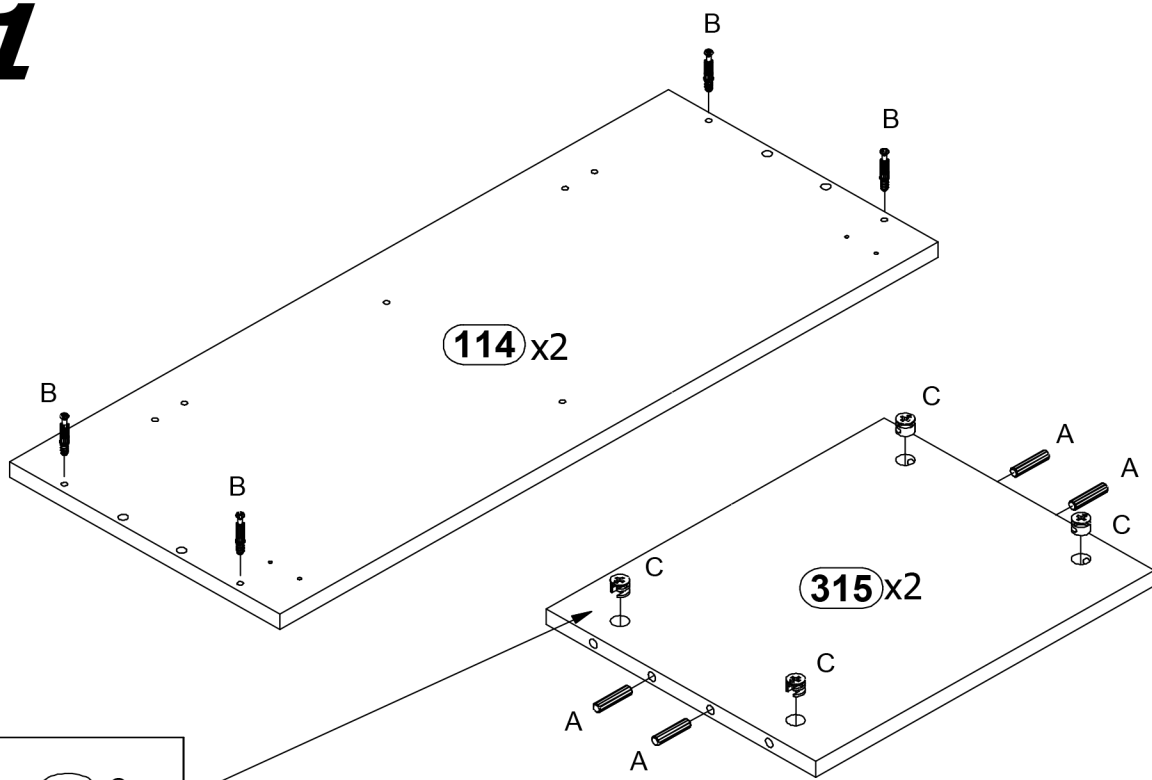
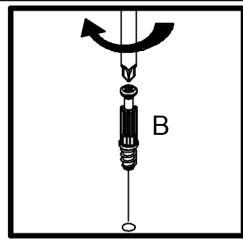


G40 / G40S

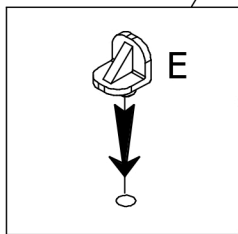
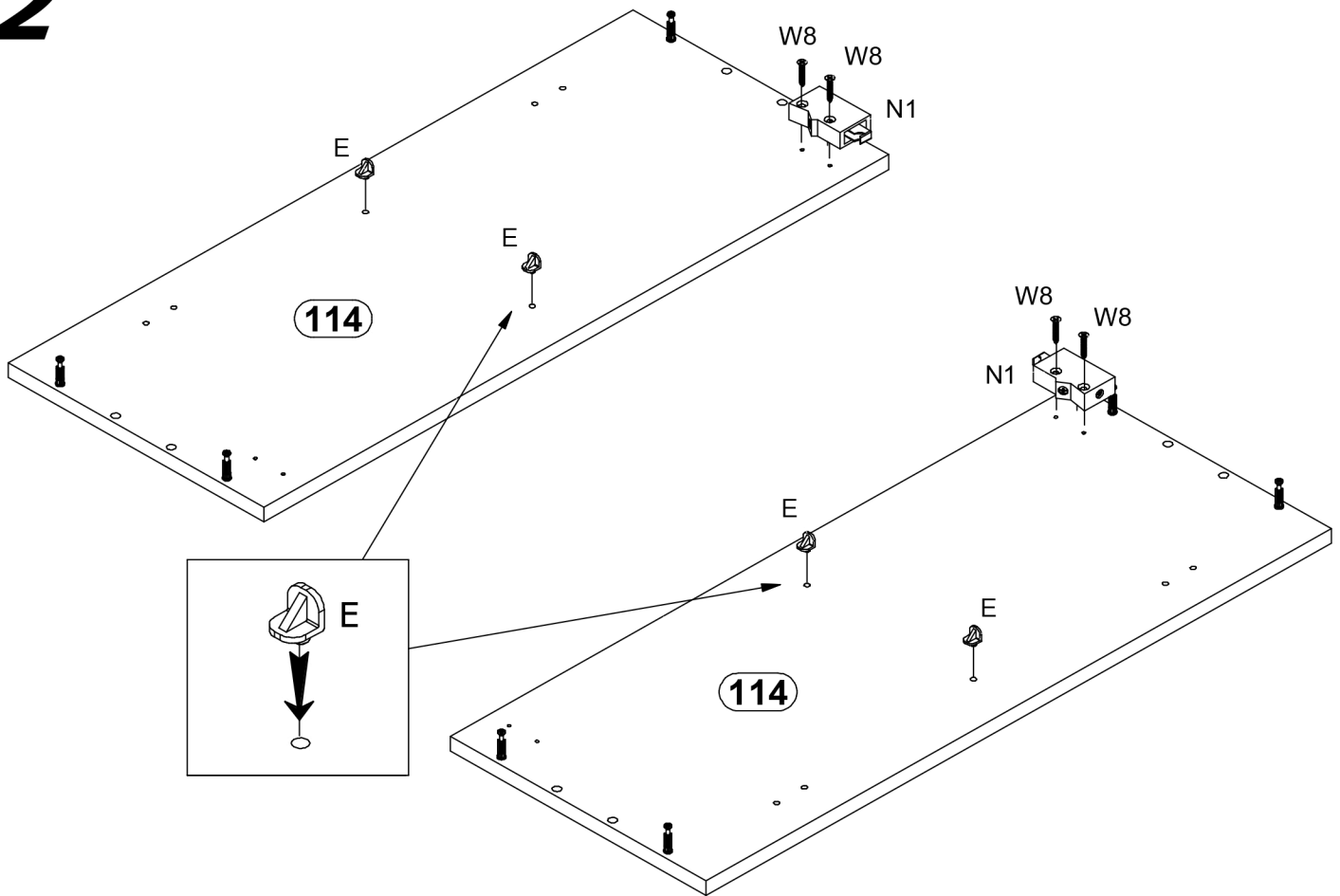


A x8  Ø8x35mm	B x8 	C x8  Ø15x12mm	E x4 
G x20 	M x1 	N1 x2 	N2 x2 
W2 x4  Ø3,5x16	W8 x4  Ø4x30mm	Y x8  Ø18 mm	
Zc x2  Zc-1	 Zc-2		

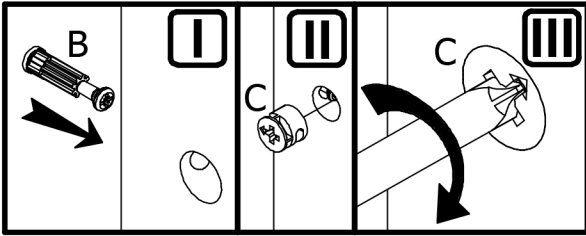
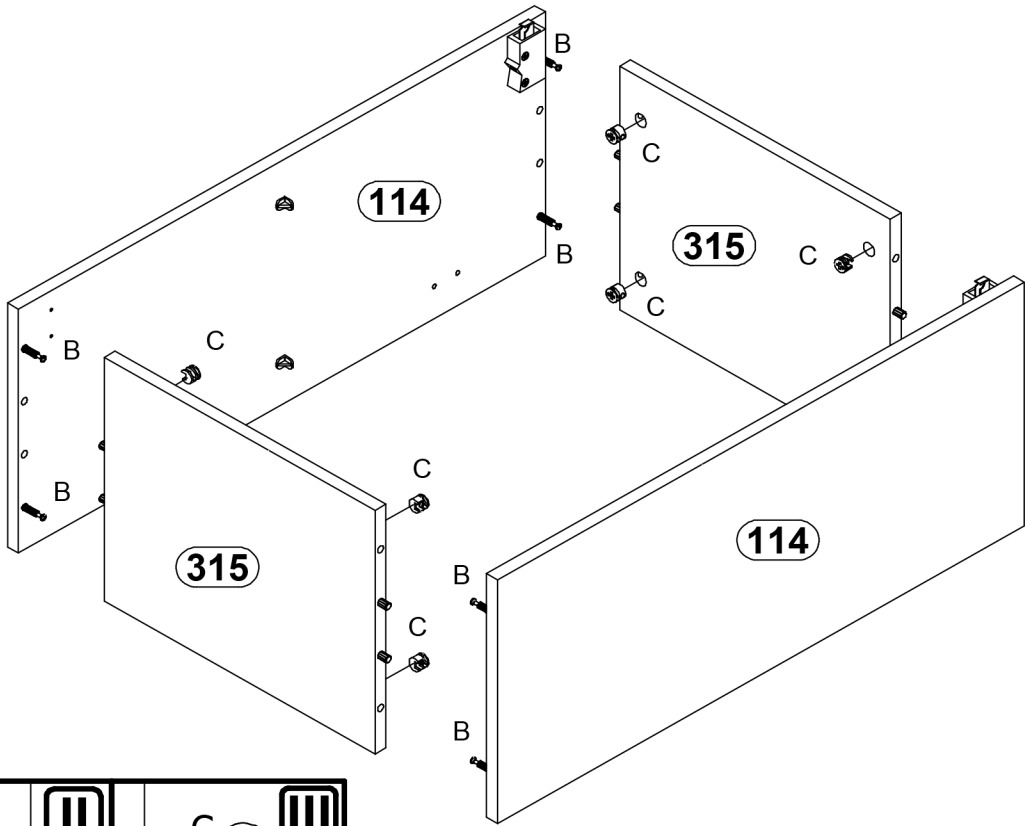
1



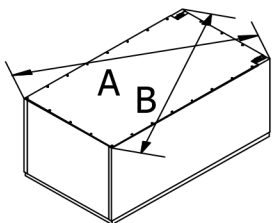
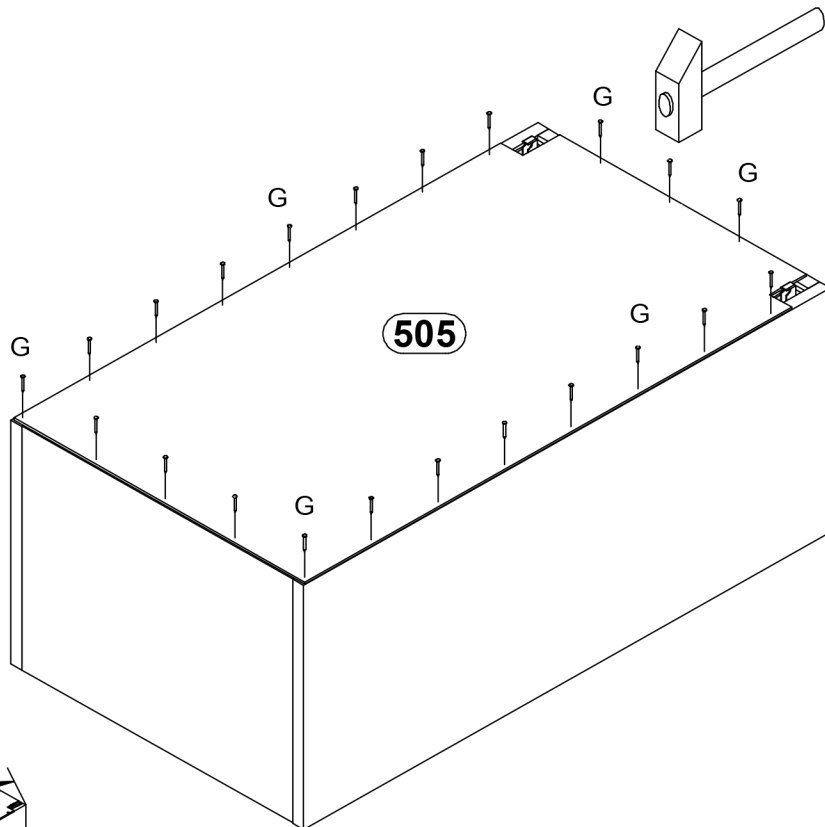
2



3

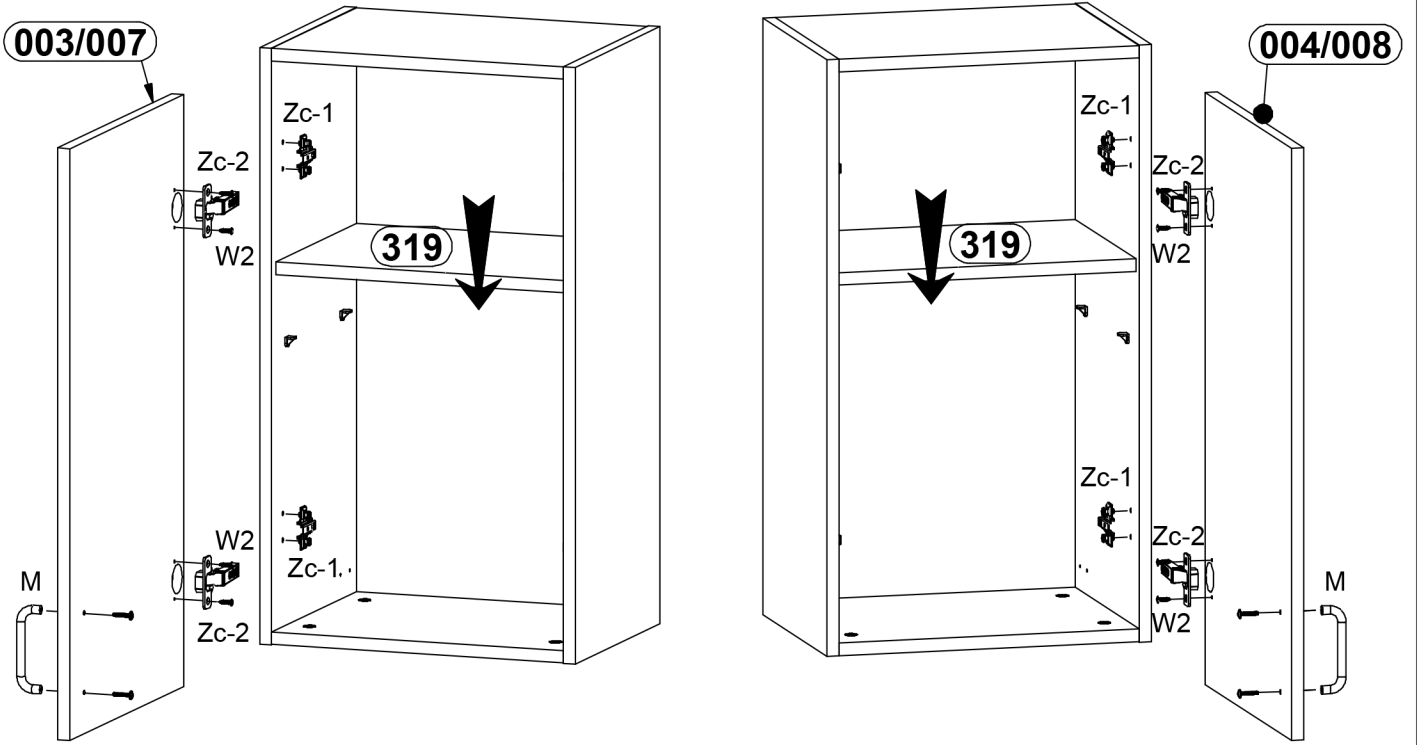


4

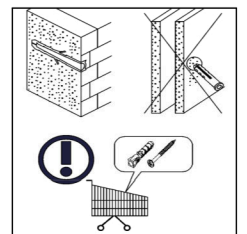
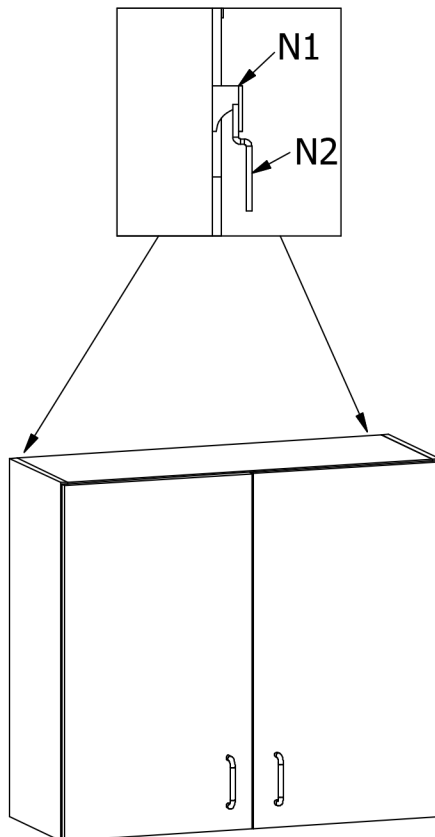


A=B

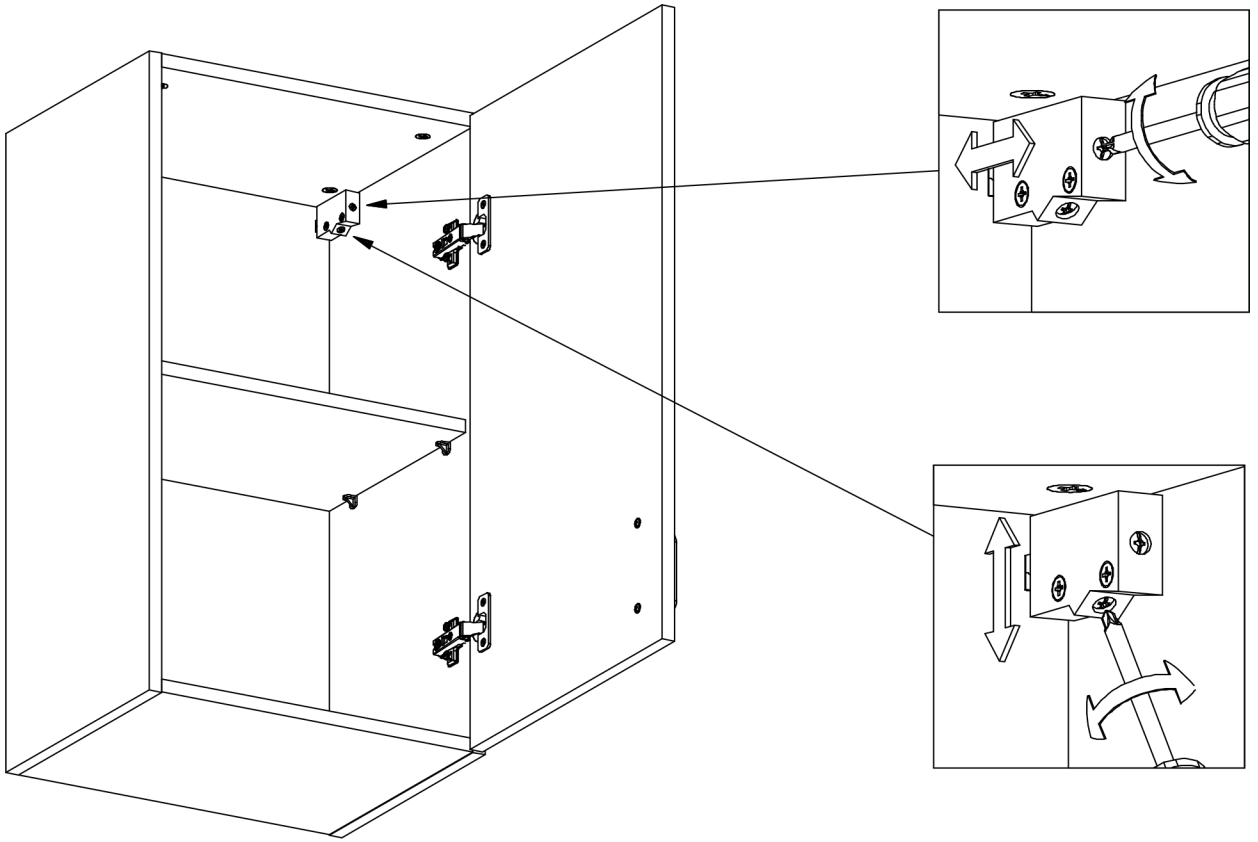
5



6



7



8

