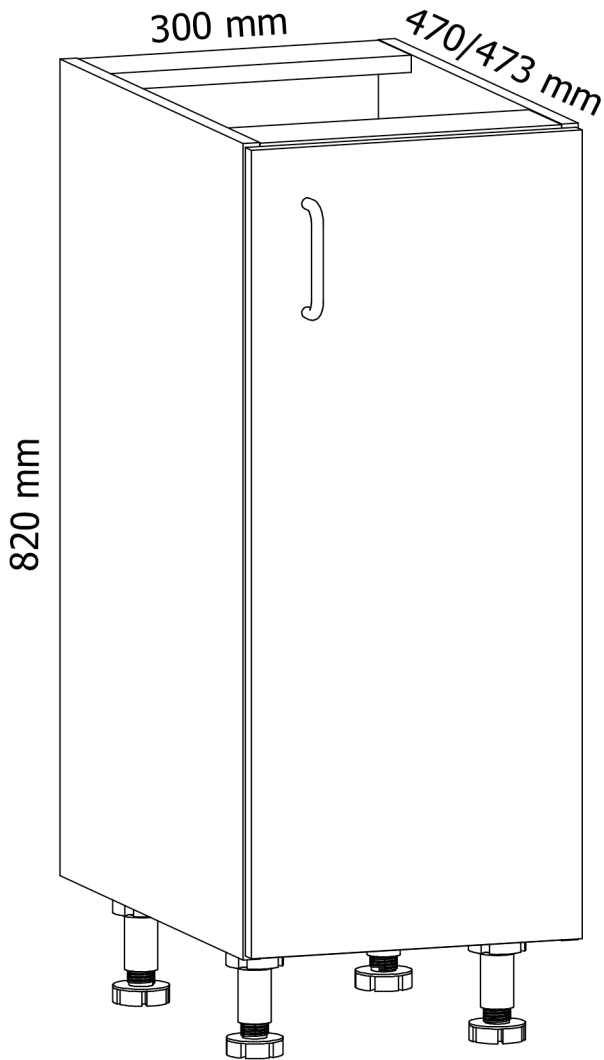
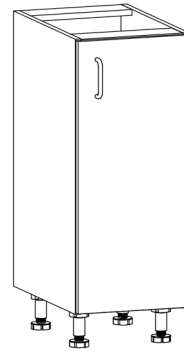


D30

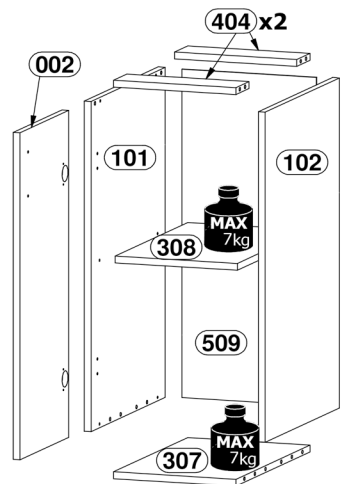
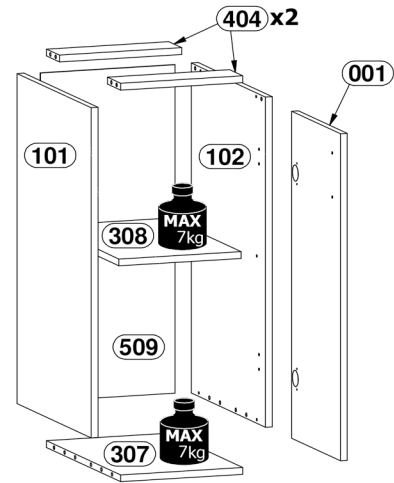
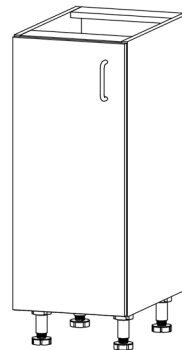
S30



D30(P) / S30



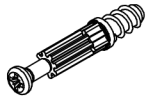
D30(L)



A1 x12 Ø8x35mm	B1 x8 Ø5x38mm	C1 x8 Ø15x12mm	E4 x4 9x11mm	G1 x20 26mm
L1 x4 Ø50x95mm	U x1 	W2 x20 Ø3,5x16mm	X x2 	Zc1 x2
Zc2 x2 				

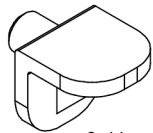
1

B1 x 8

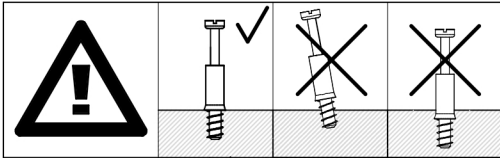
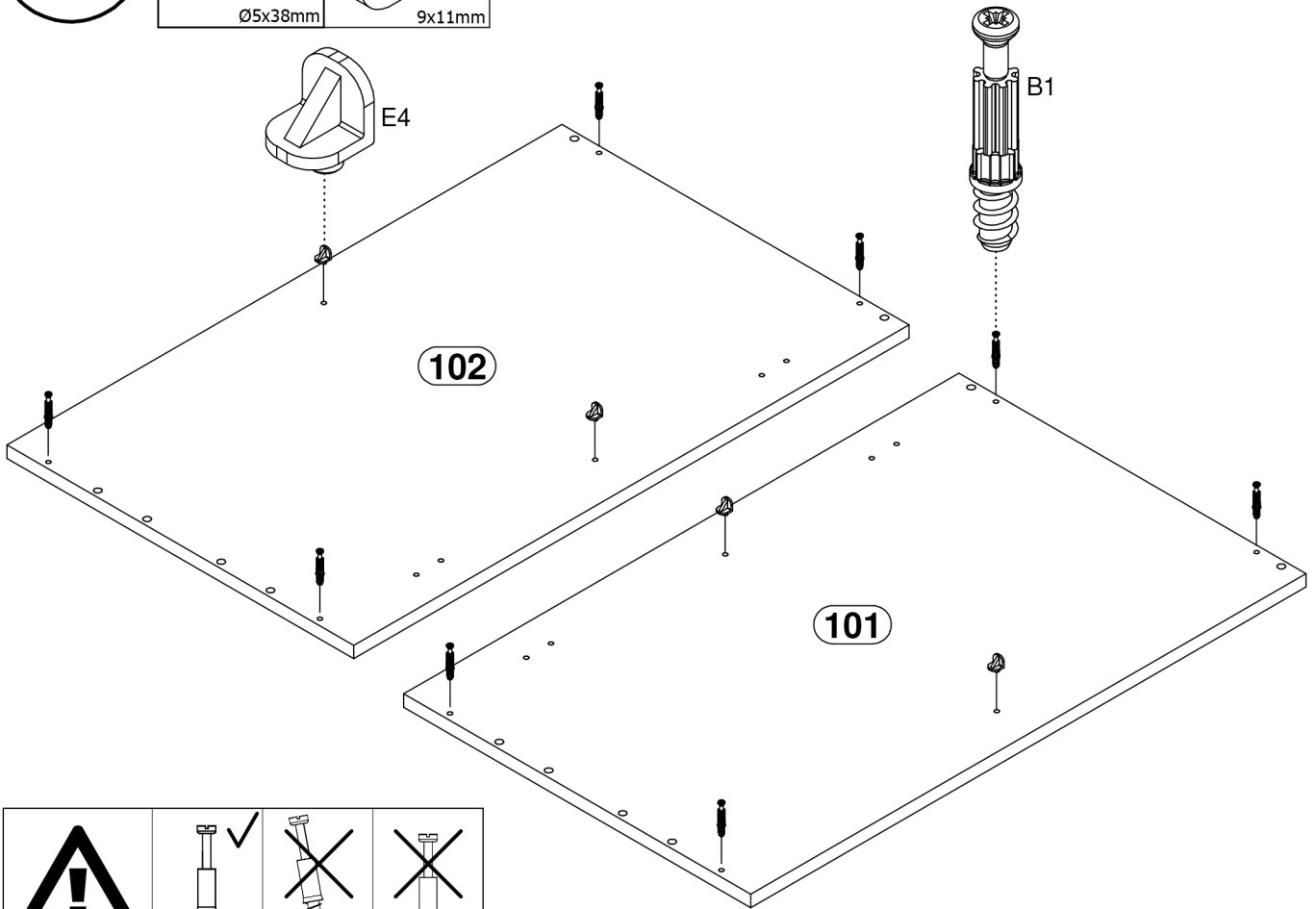
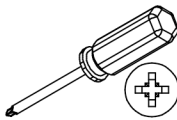


Ø5x38mm

E4 x 4

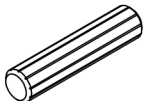


9x11mm



2

A1 x 12

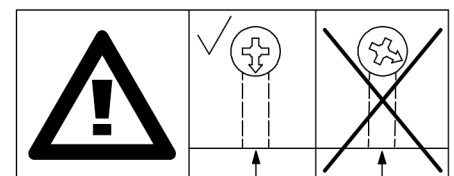
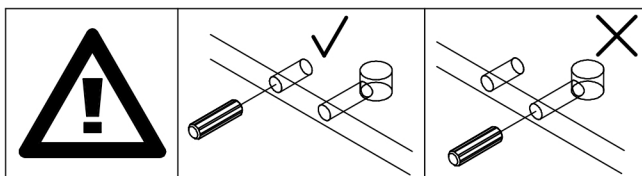
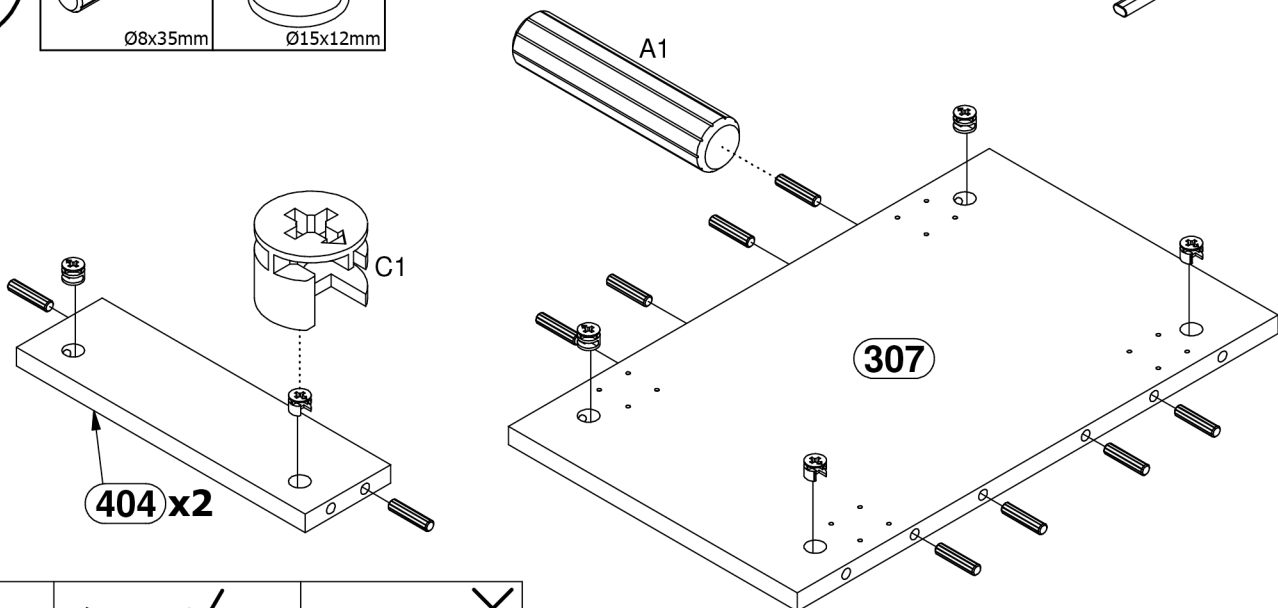
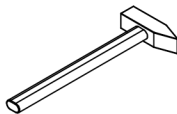


Ø8x35mm

C1 x 8

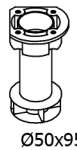


Ø15x12mm



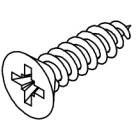
3

L1 x 4

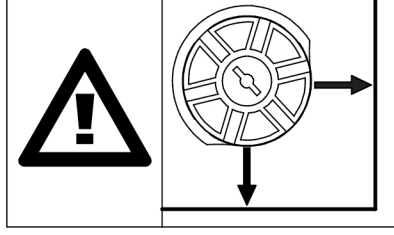
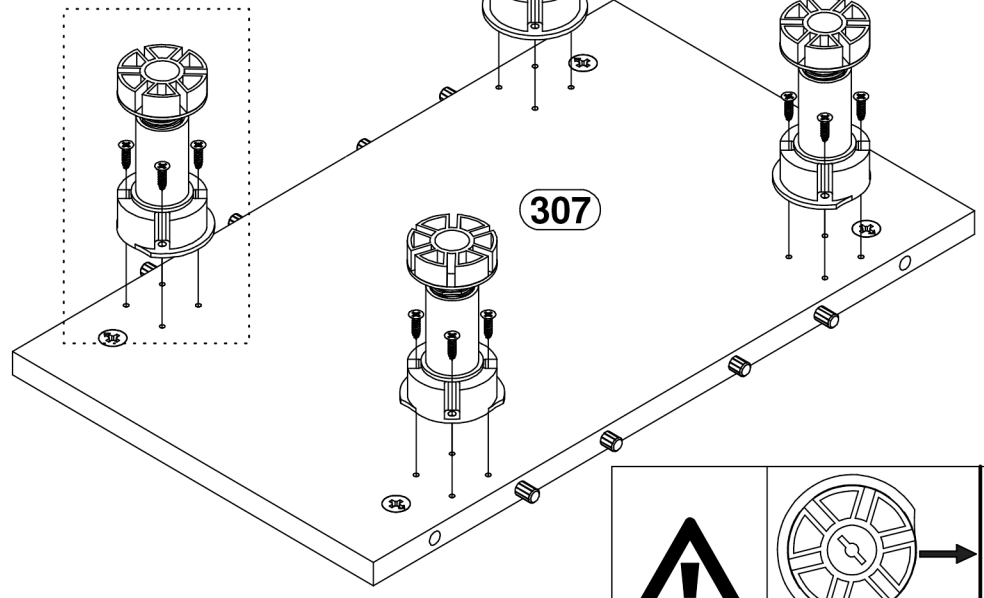
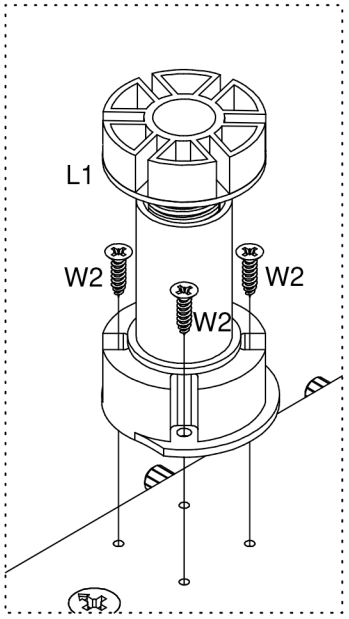
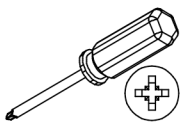


Ø50x95mm

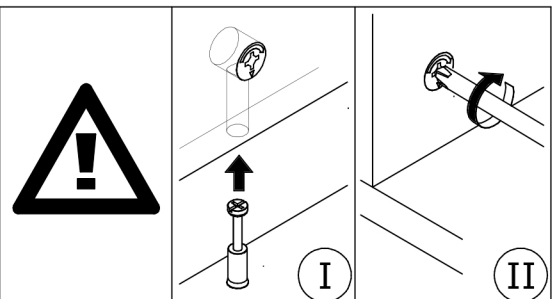
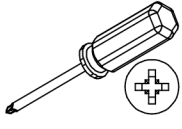
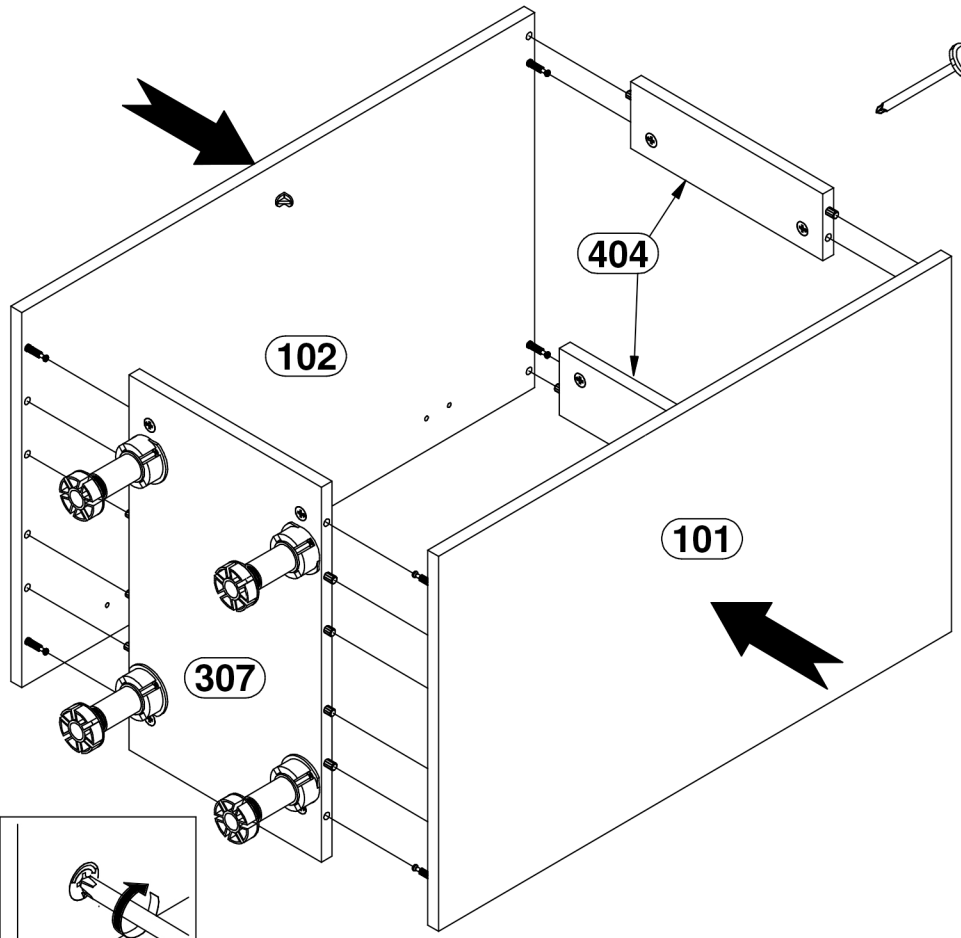
W2 x 16



Ø3,5x16mm

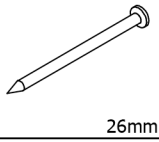


4

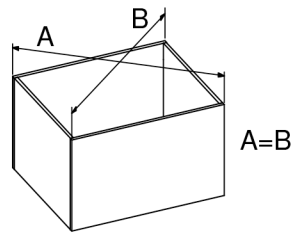
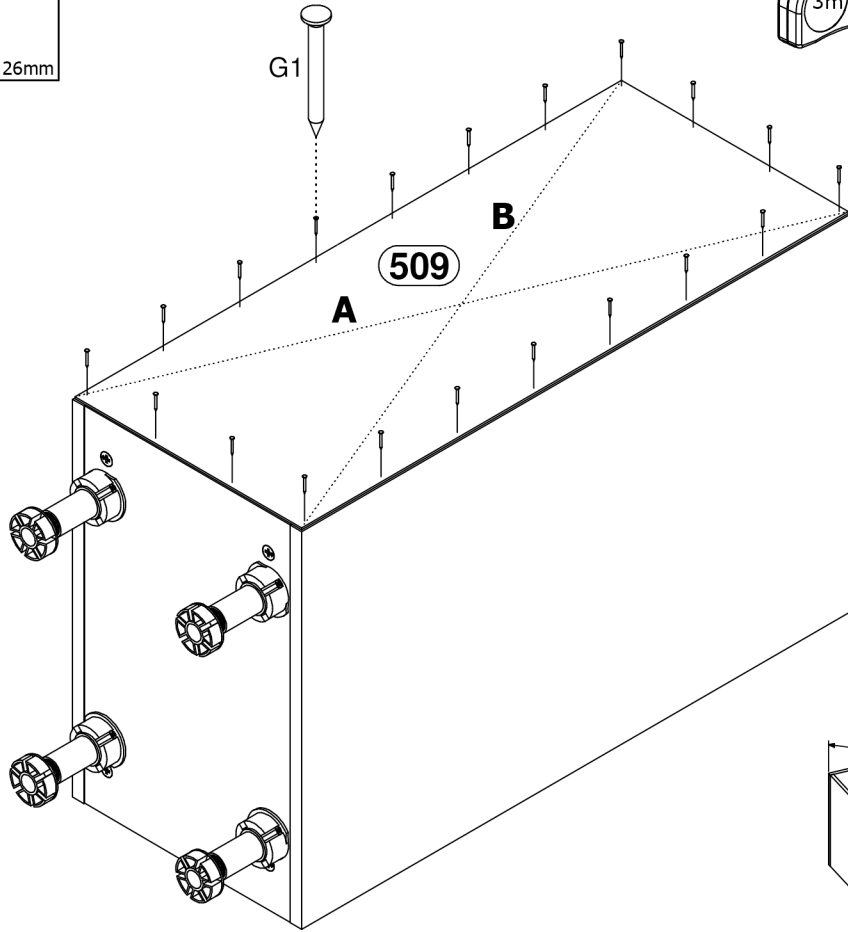
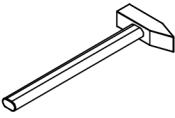
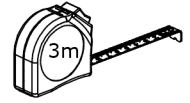


5

G1 x 20



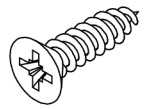
26mm



A=B ≡ 90°

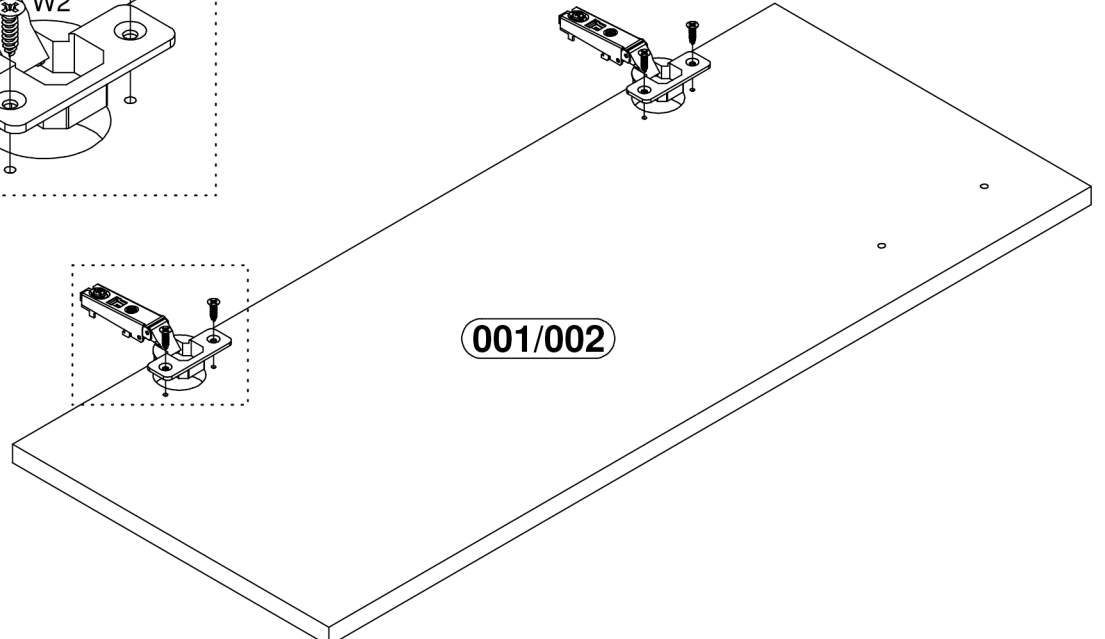
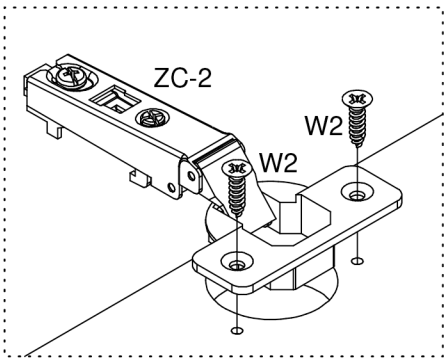
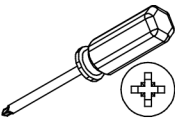
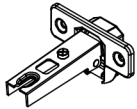
6

W2 x 4



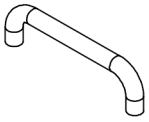
Ø3,5x16mm

Zc2 x 2

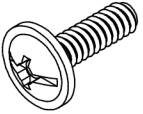


7

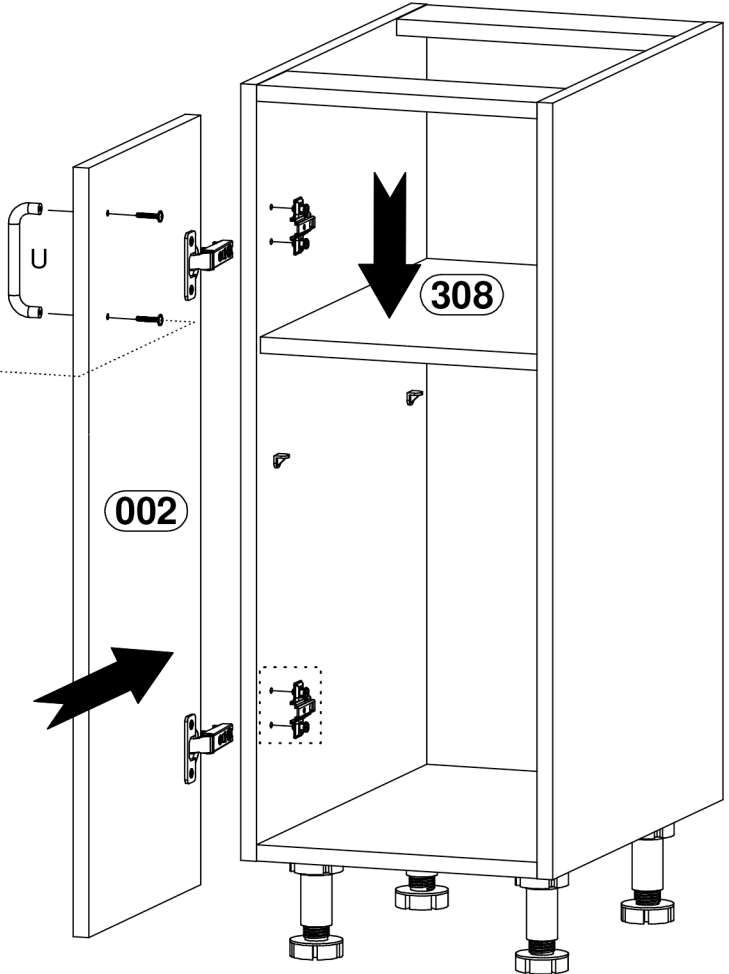
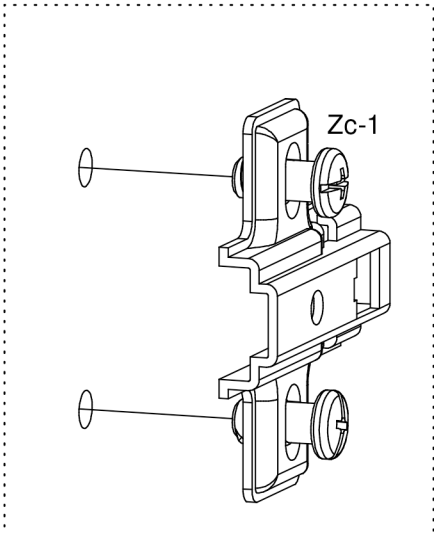
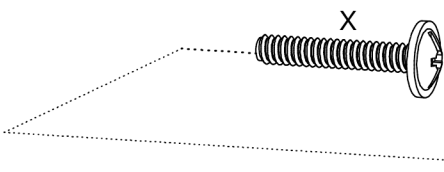
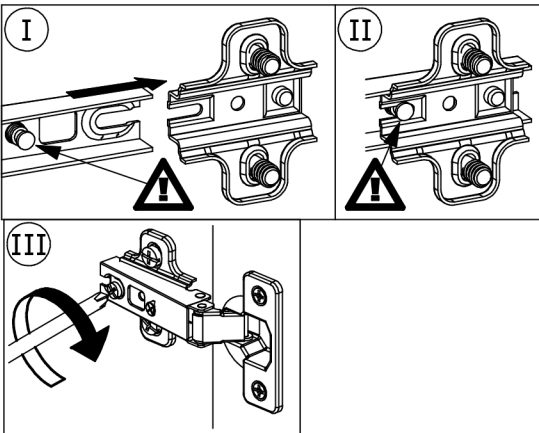
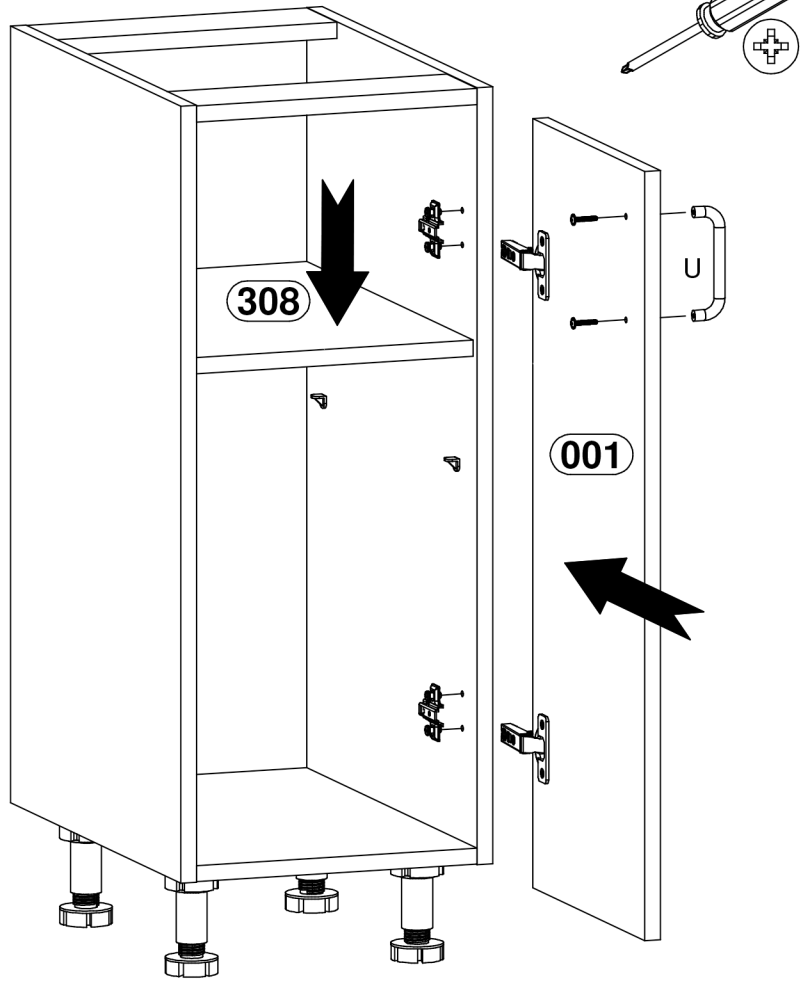
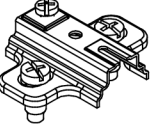
U x 1



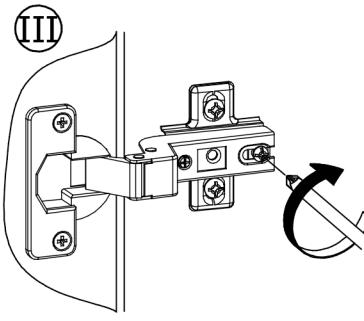
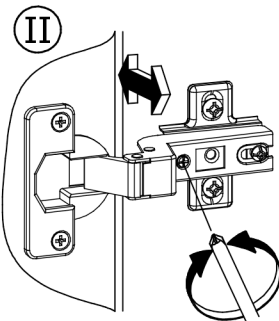
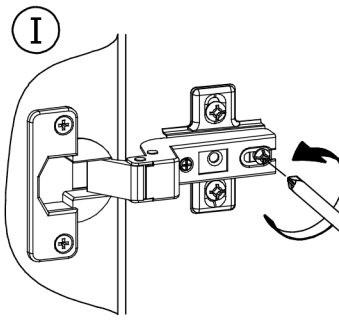
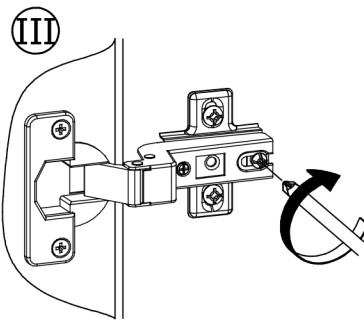
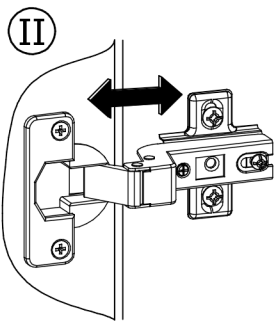
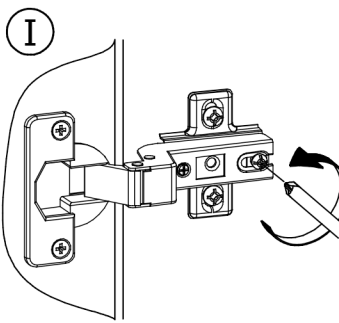
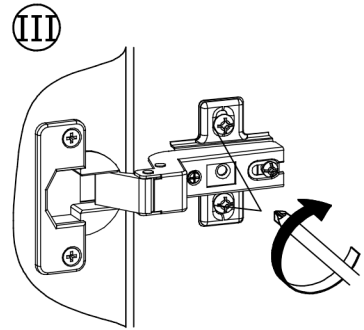
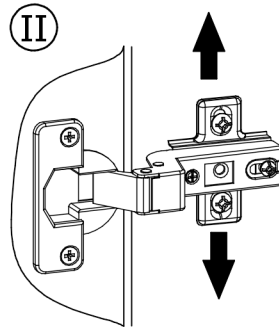
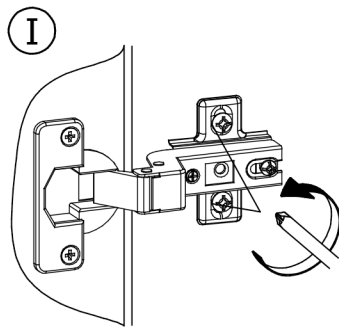
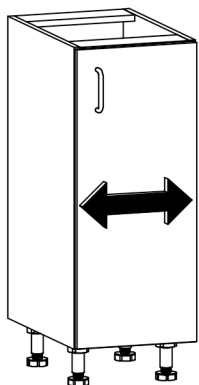
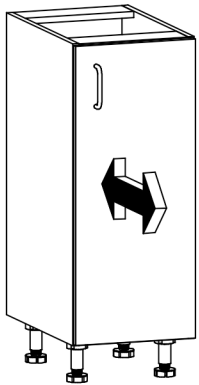
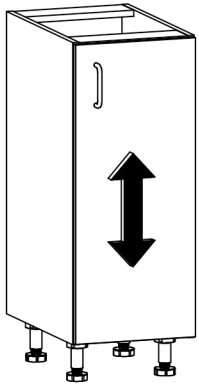
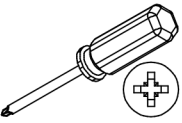
X x 2

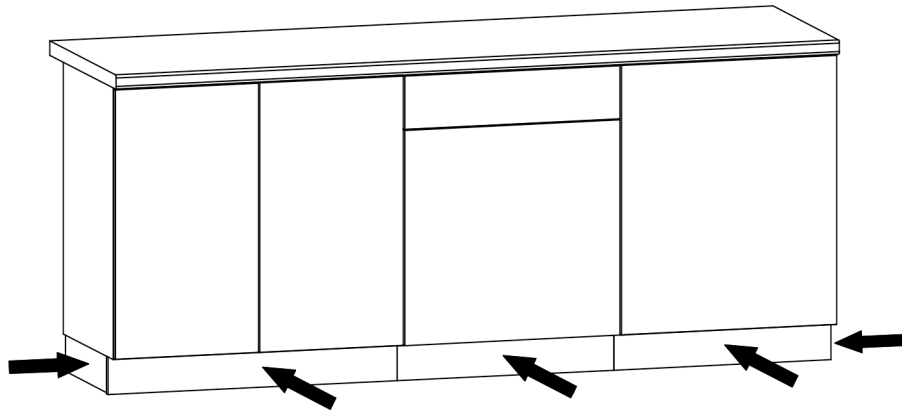
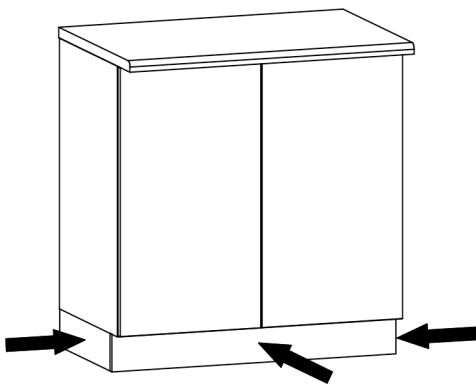
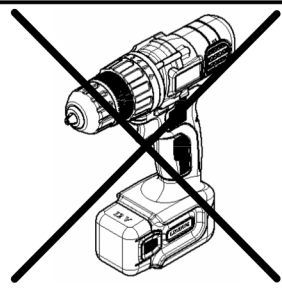
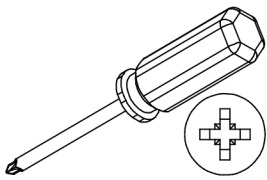


Zc1 x 2

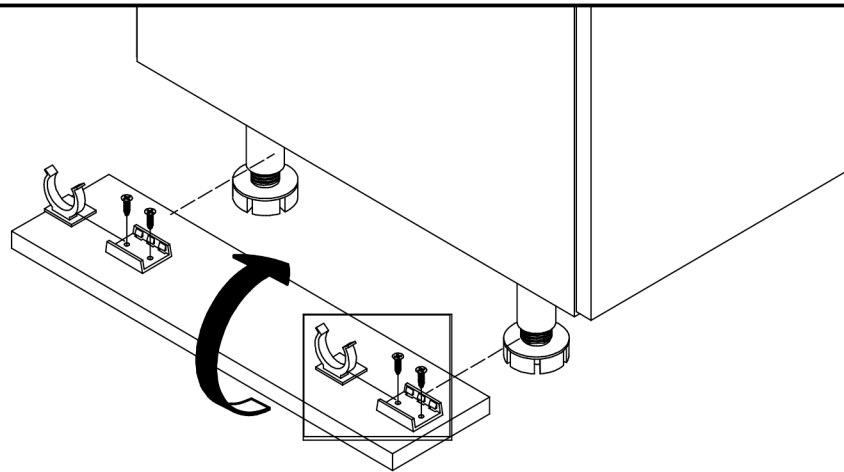
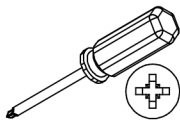


8

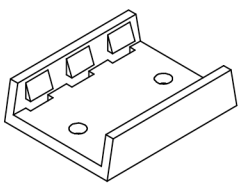




C1

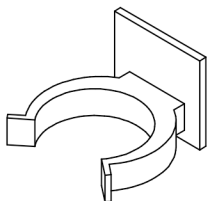


L6-a x 4



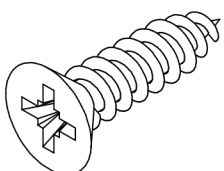
38x30x10mm

L6-b x 4

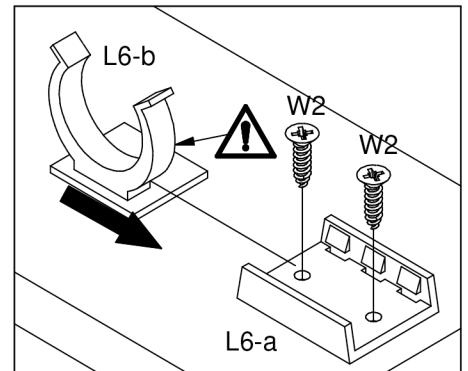


35x32x25mm

W2 x 8

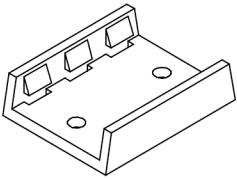


Ø3,5x16mm



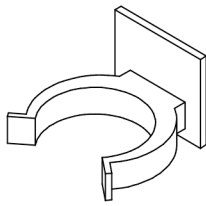
C2

L6-a x2



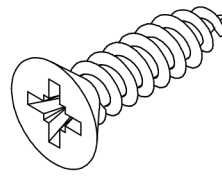
38x30x10mm

L6-b x2



35x32x25mm

W2 x4



Ø3,5x16mm

