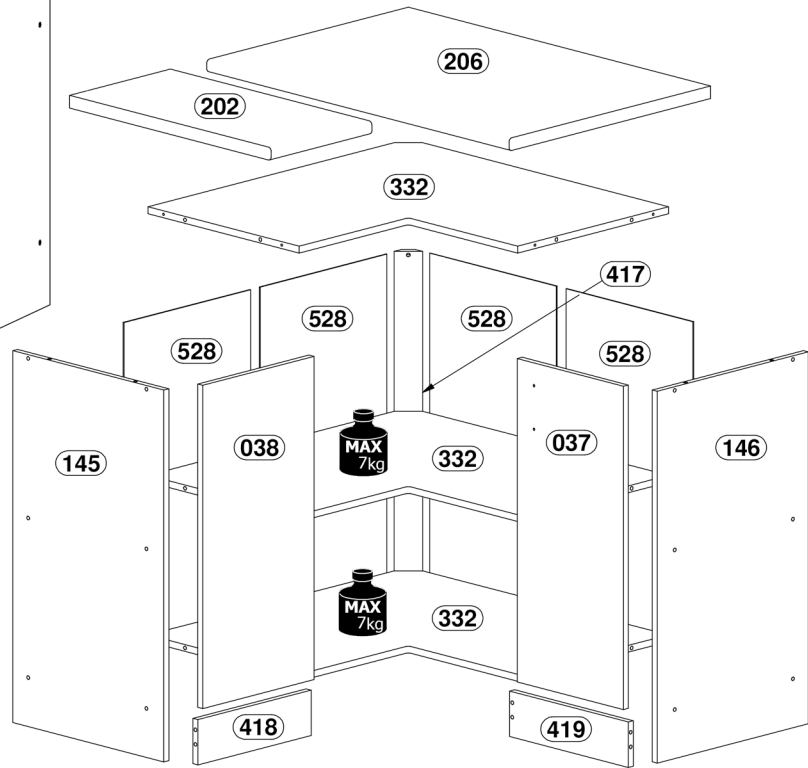
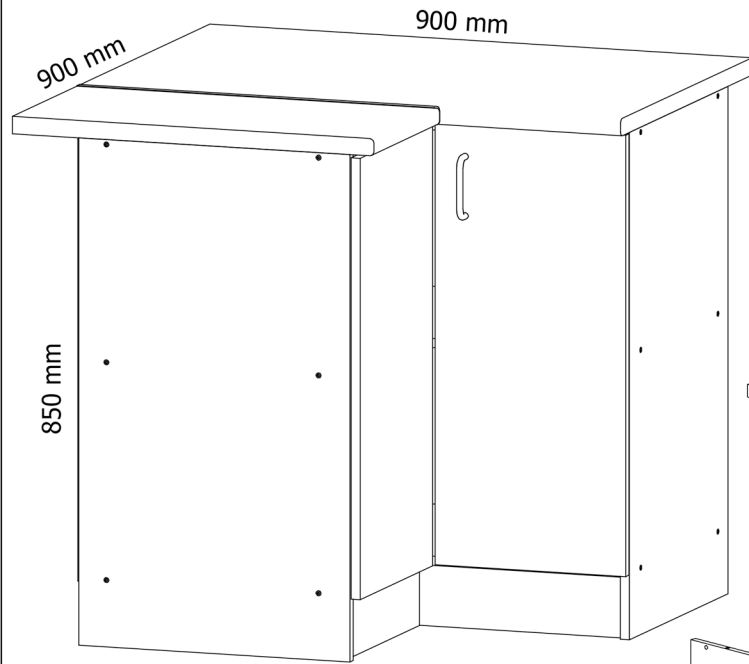
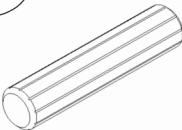
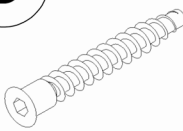
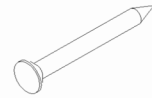
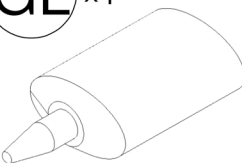
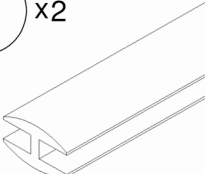




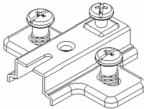
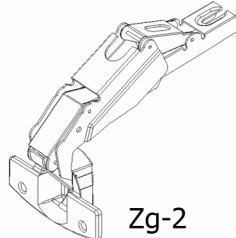
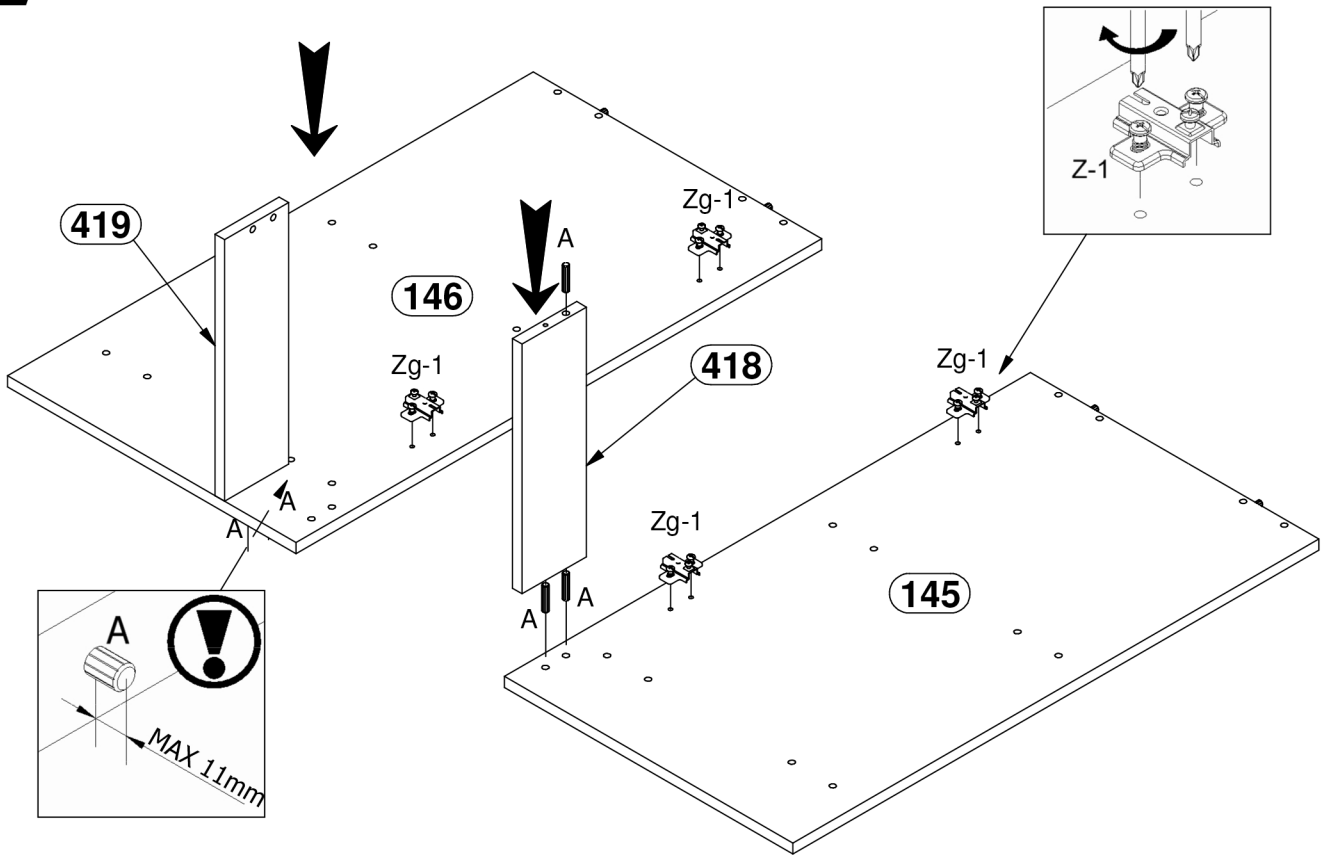


K02-D90N

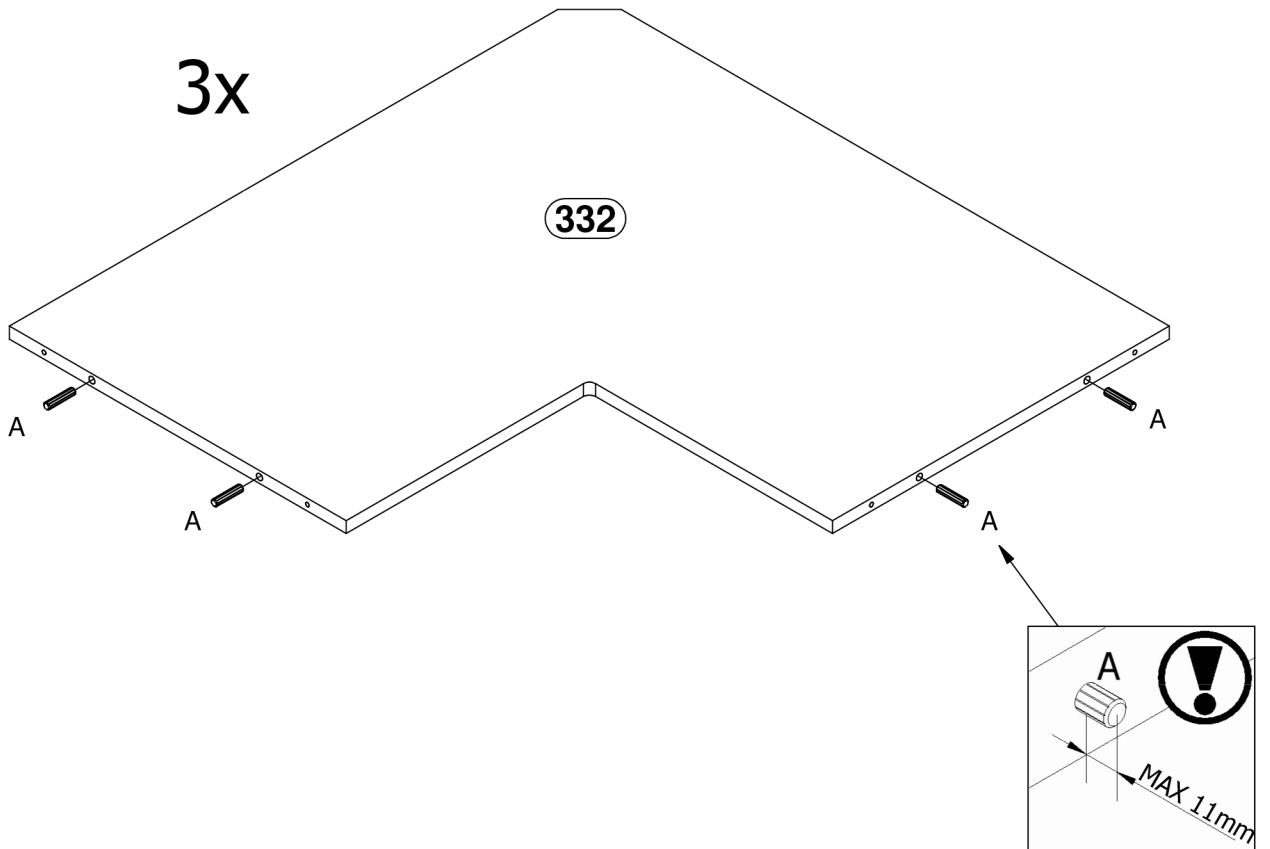


| | | | |
|--|--|---|--|
| <p>A x22</p>  <p>Ø8x35mm</p> | <p>D x15</p>  <p>Ø6,4x50 mm</p> | <p>G x45</p>  | <p>GL x1</p>  |
| <p>H x2</p>  <p>715 mm</p> | <p>KL x1</p>  | <p>M x1</p>  | <p>W2 x8</p>  <p>Ø3,5x16mm</p> |
| <p>Y2 x15</p>  | <p>Zg x4</p>  <p>Zg-1</p>  <p>Zg-2</p> | | |

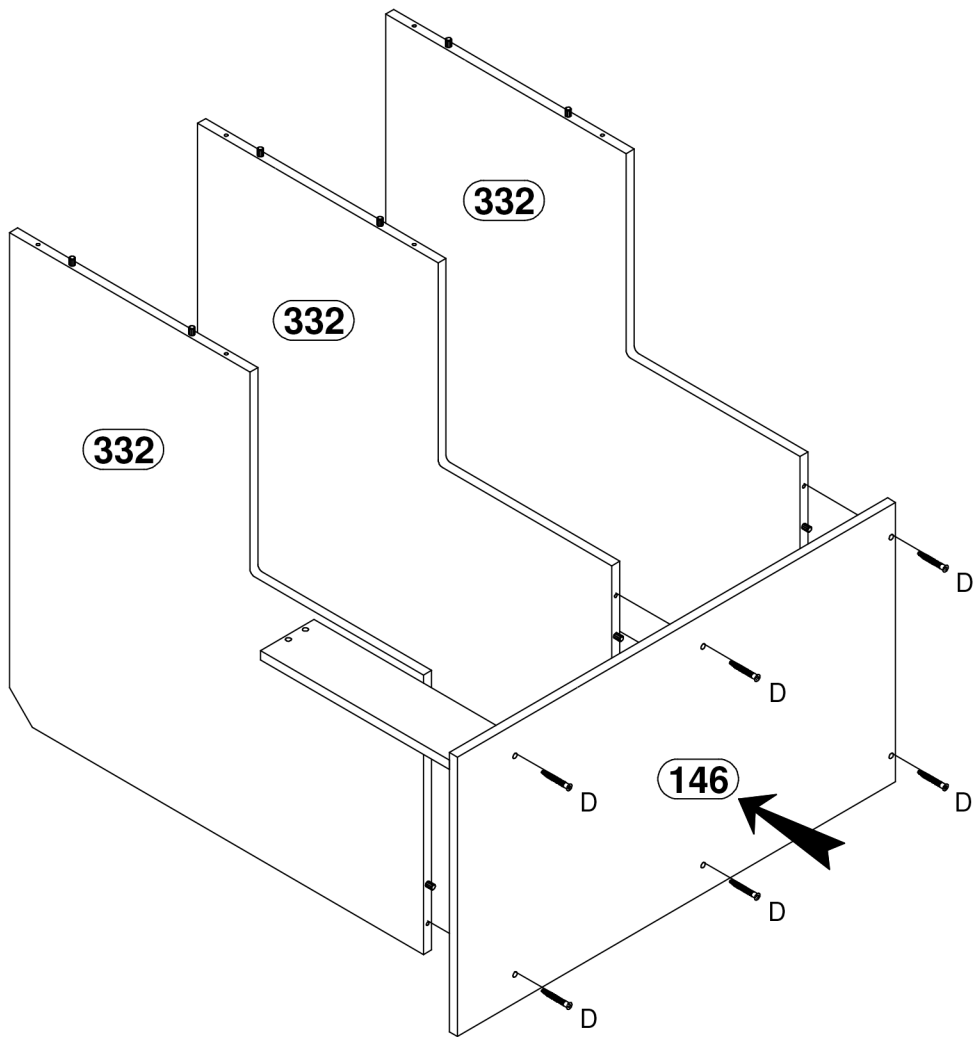
1



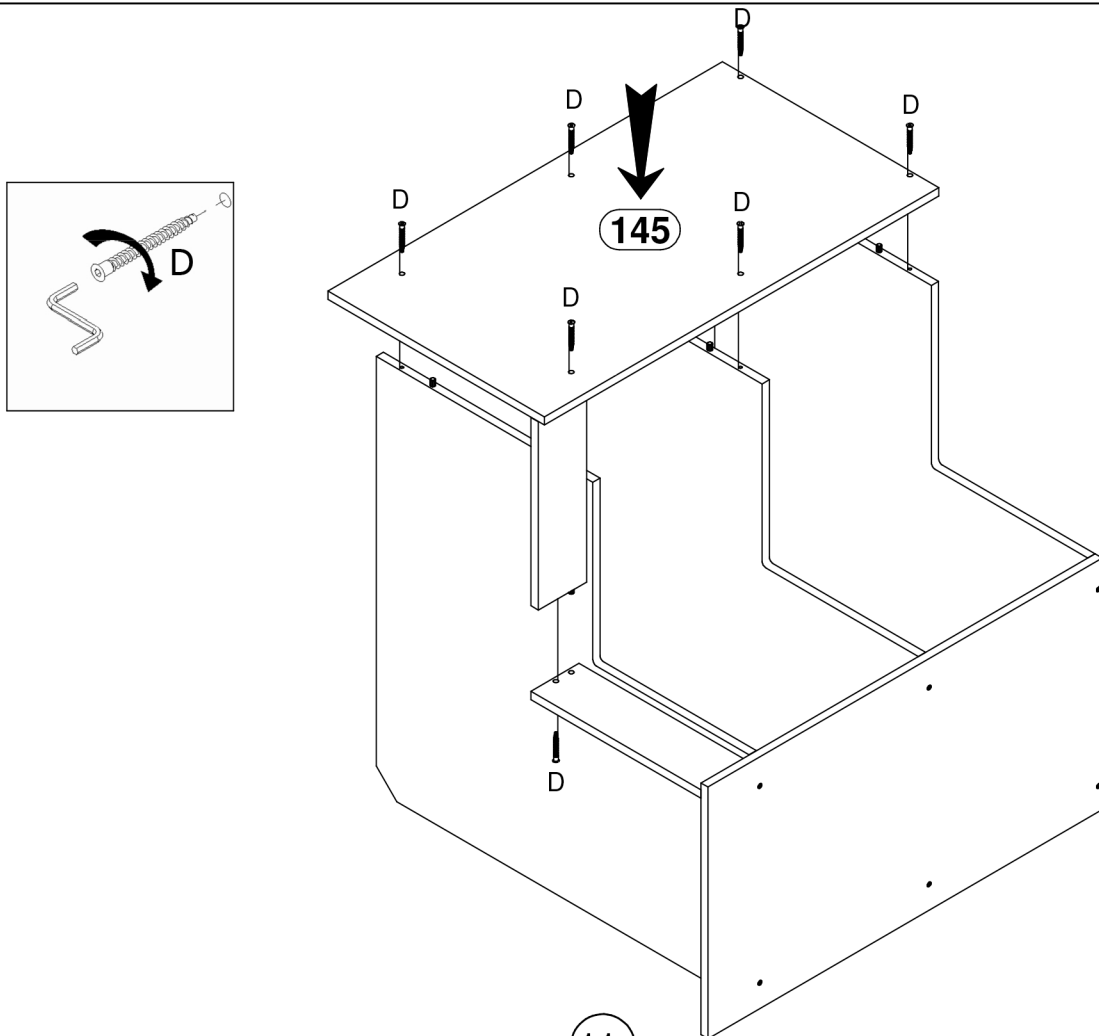
2



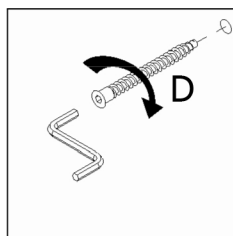
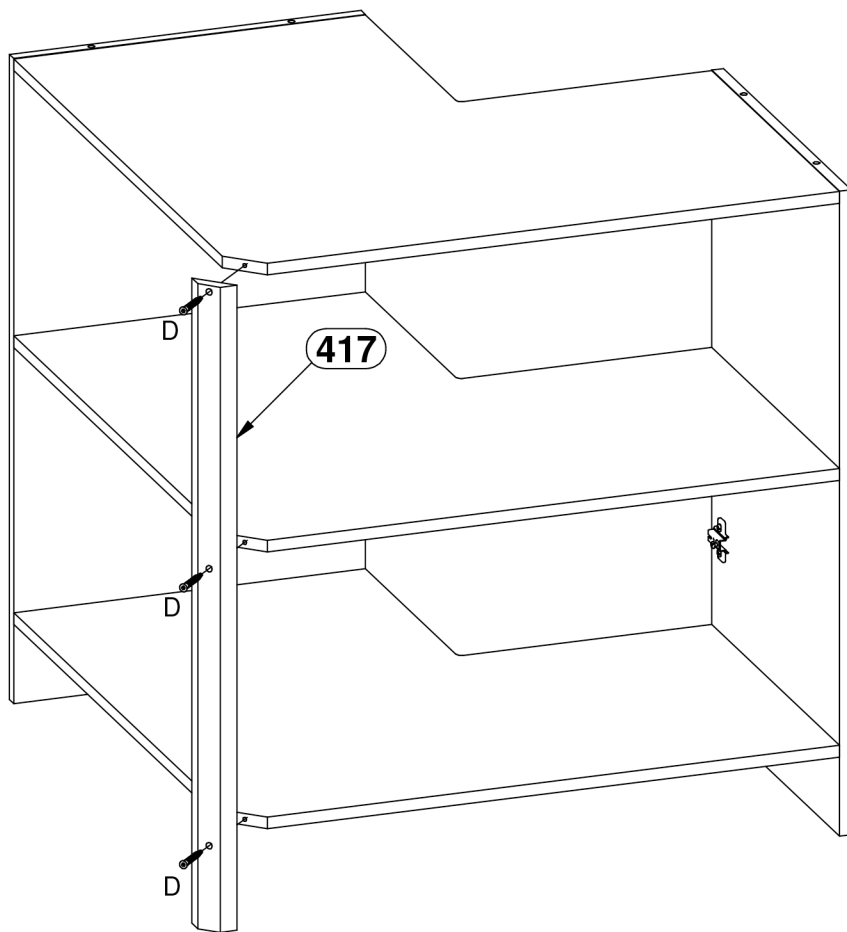
3



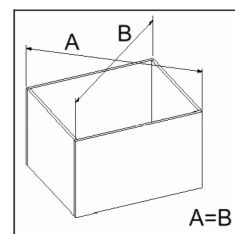
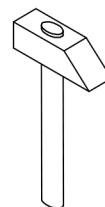
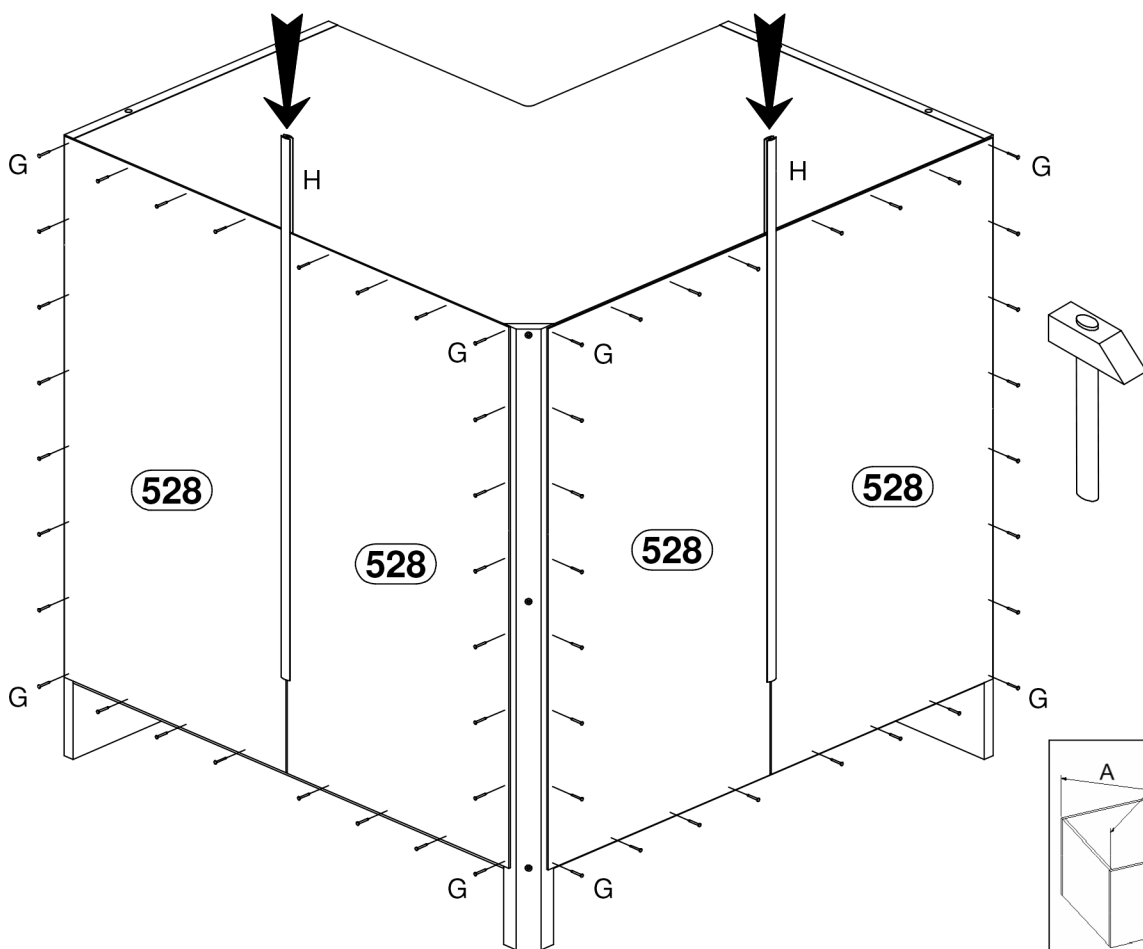
4



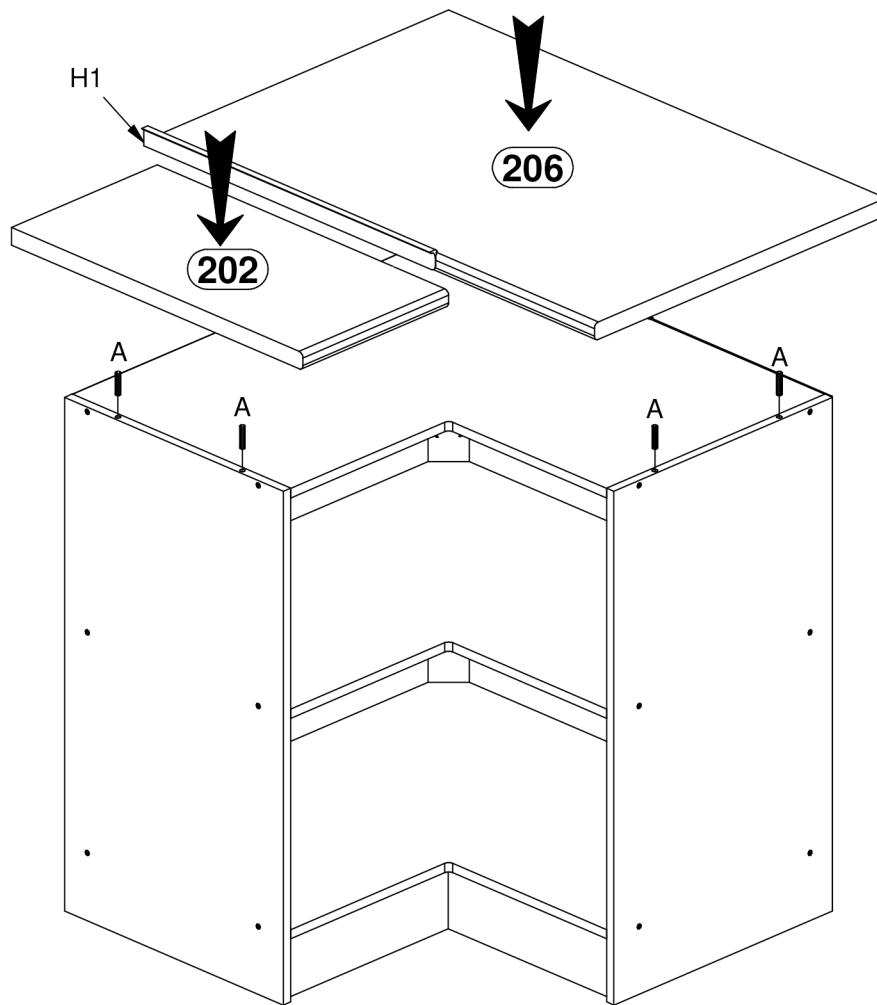
5



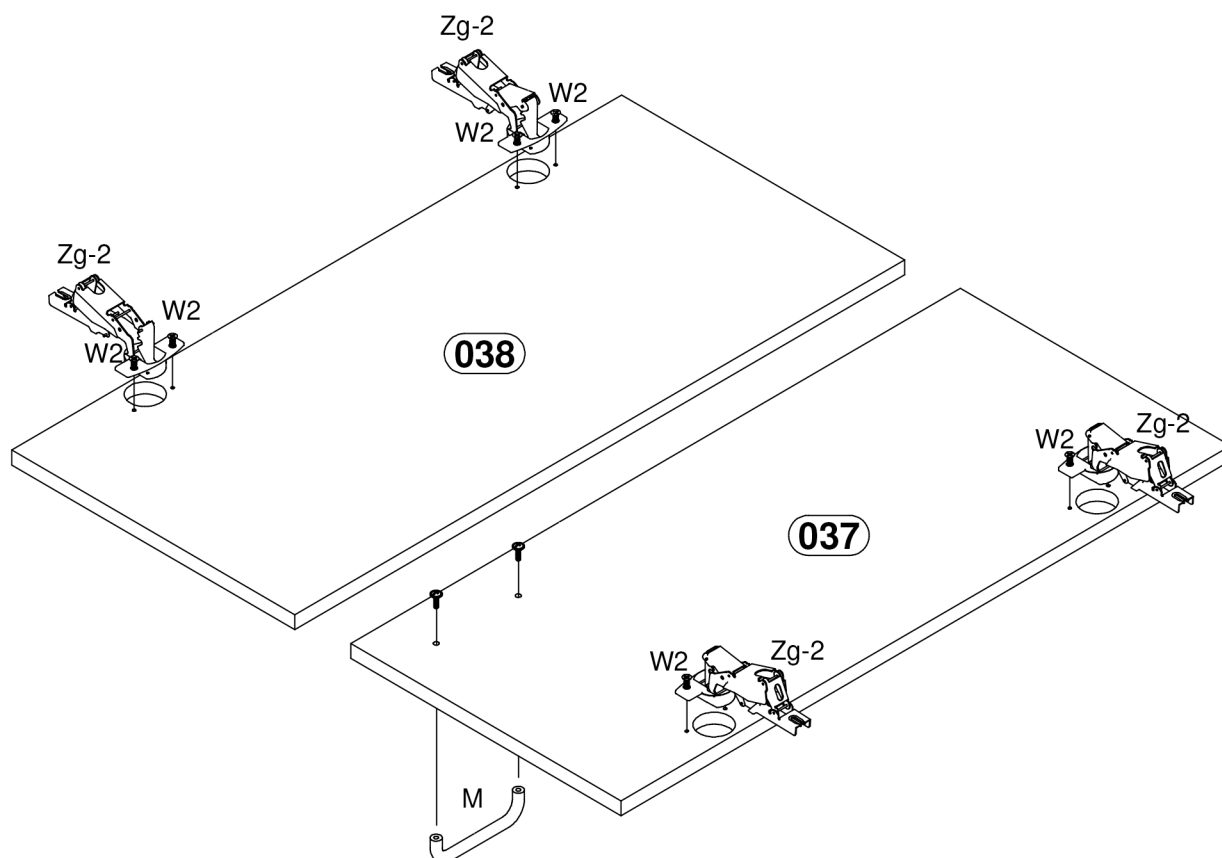
6



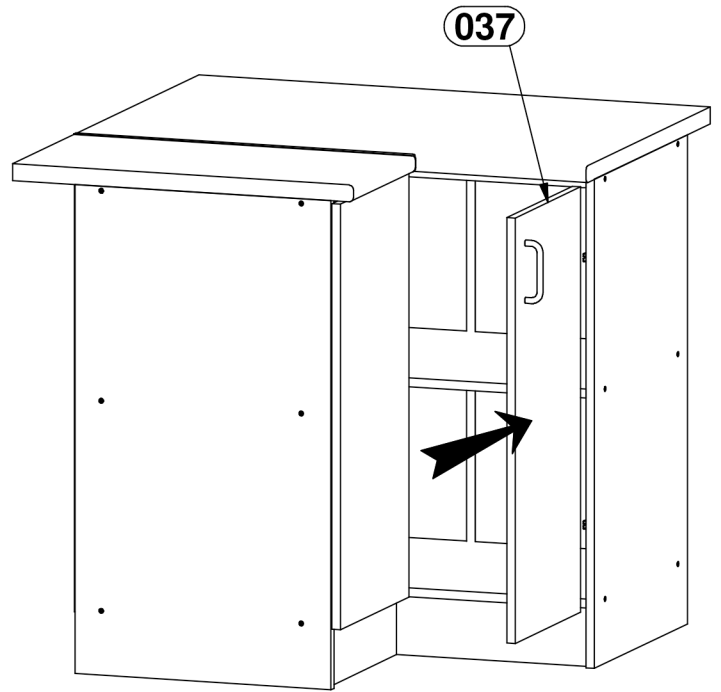
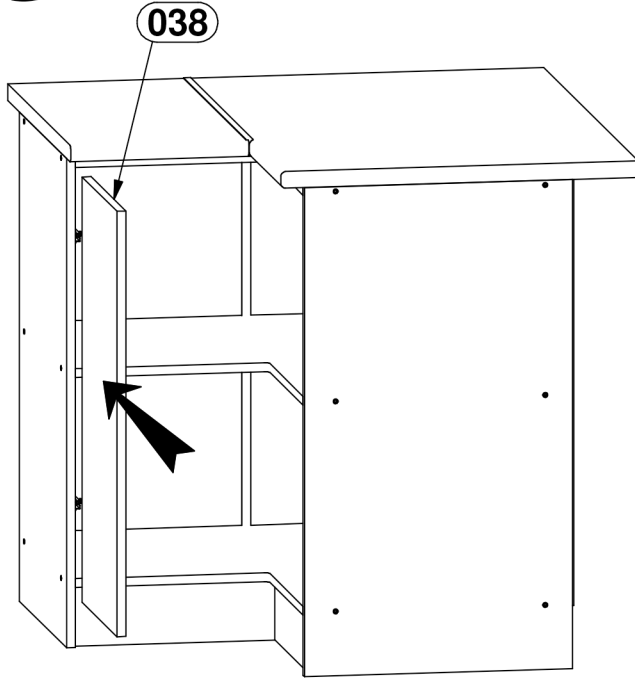
7



8



9



10

