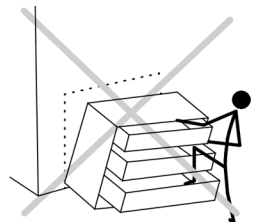
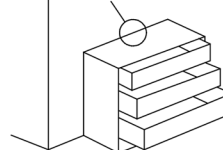
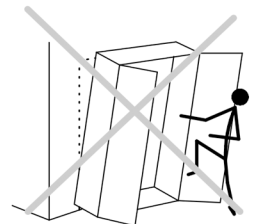
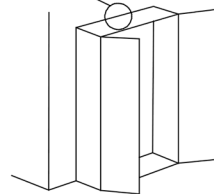
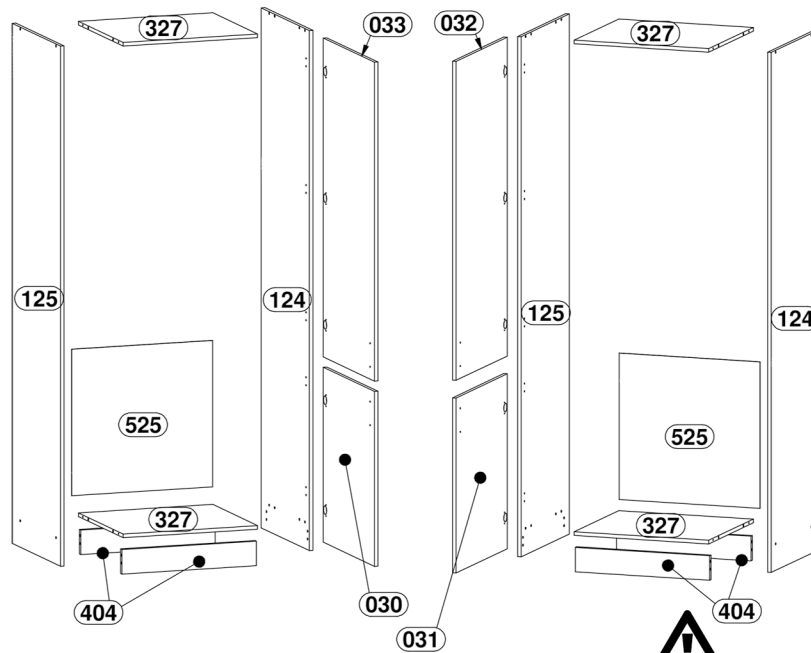
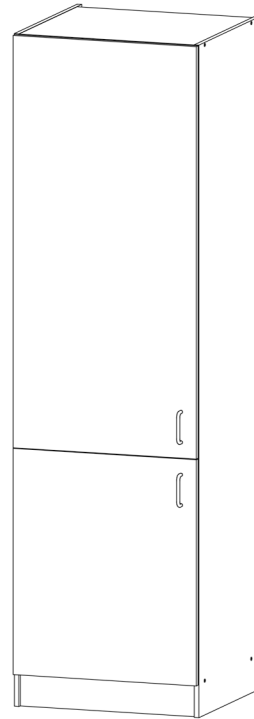
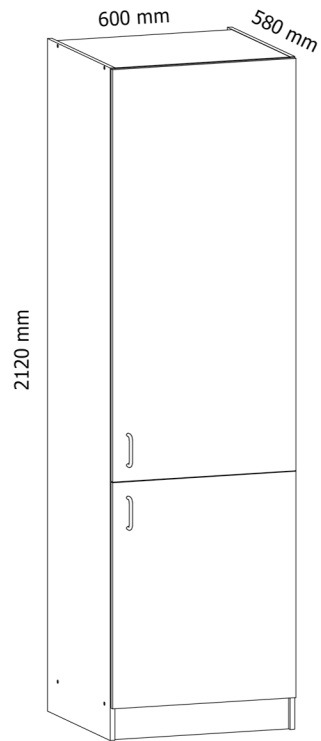
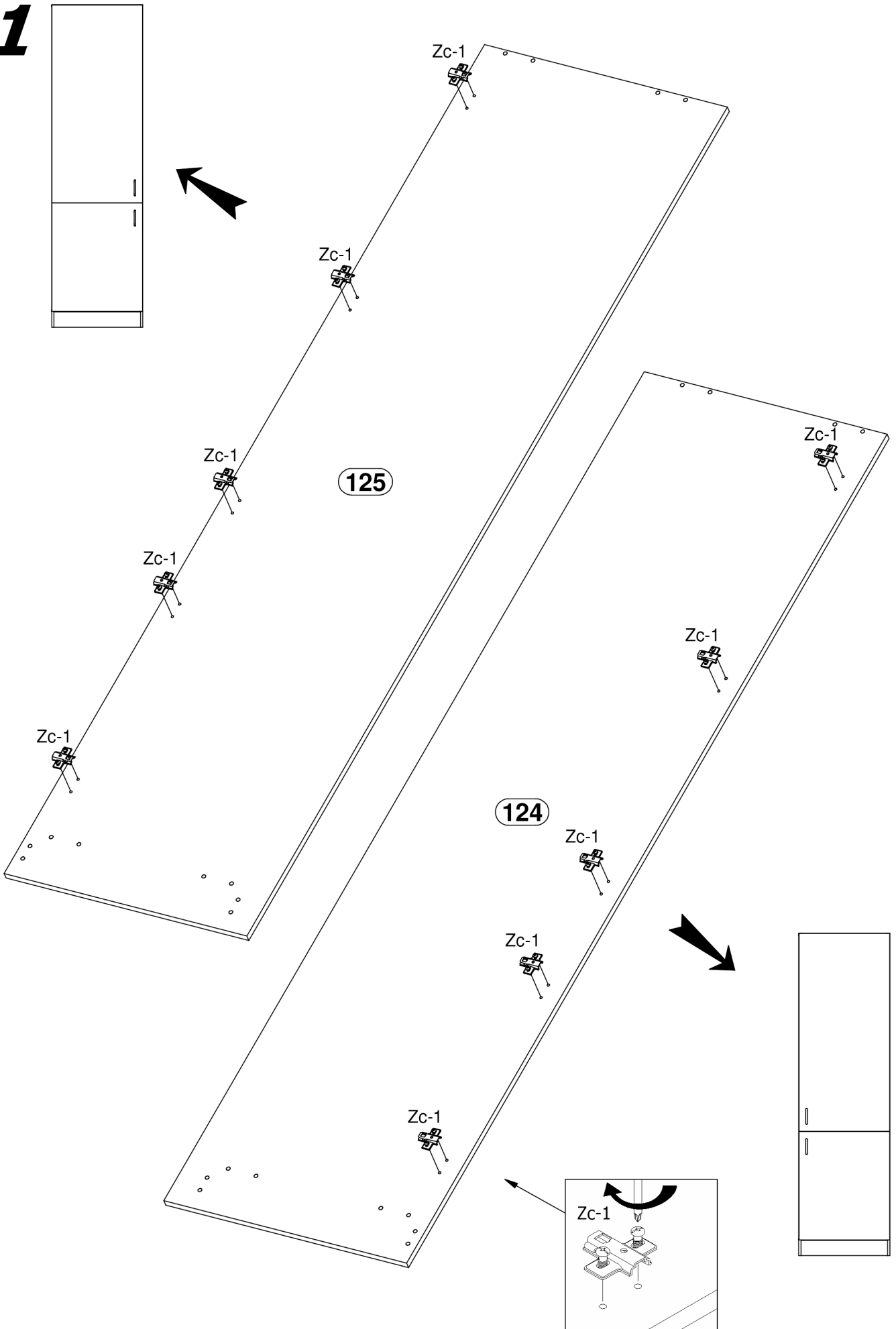


K02-D60ZL

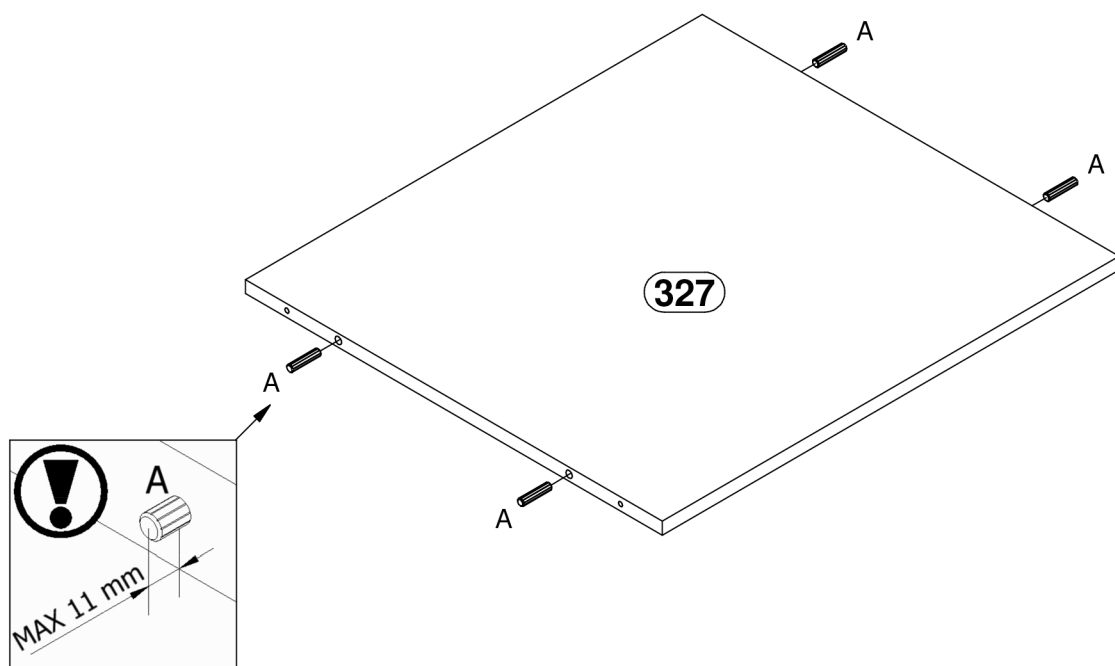


| | | | |
|----------------------------------|---------------------------------|---------------------------------|----------------------|
| A x16 Ø8x35mm | D x8 Ø6,4x50 mm | G x40 | KL x1 |
| M x2 | T4 x2 75x28x16 mm | W2 x14 Ø3,5x16 mm | Y2 x8 |
| Zc x5 Zc-1 Zc-2 | Sz x8 | | |

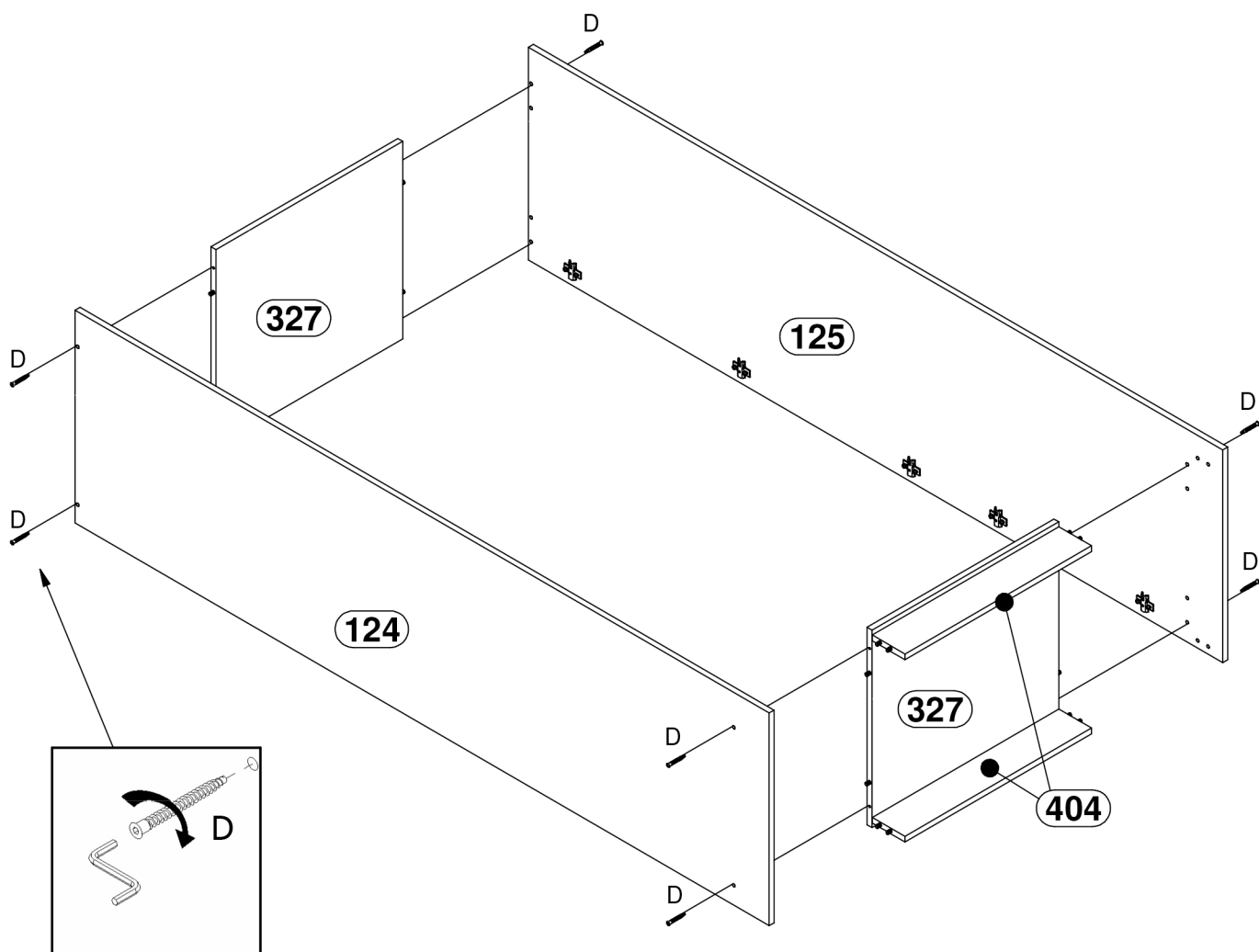
1



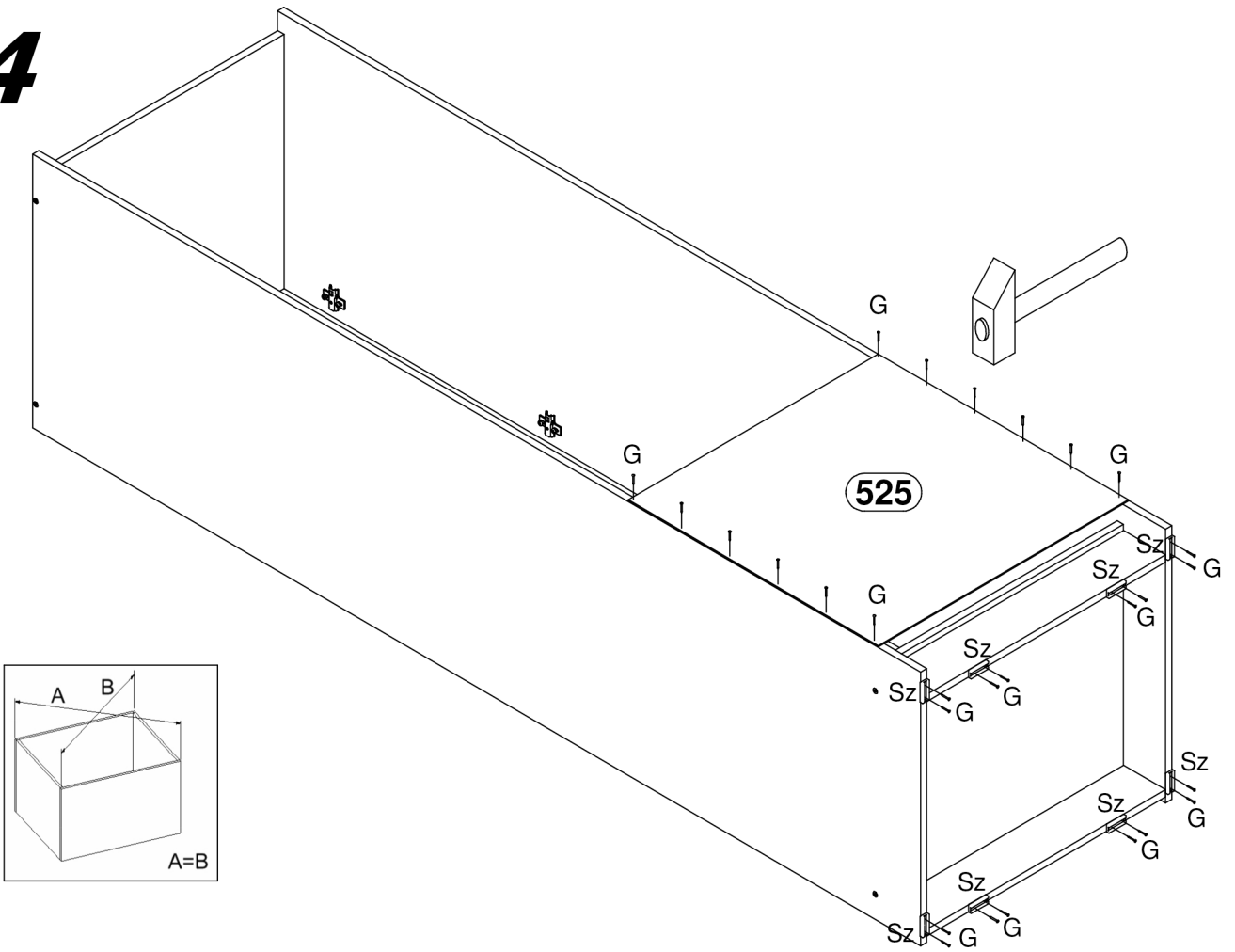
2



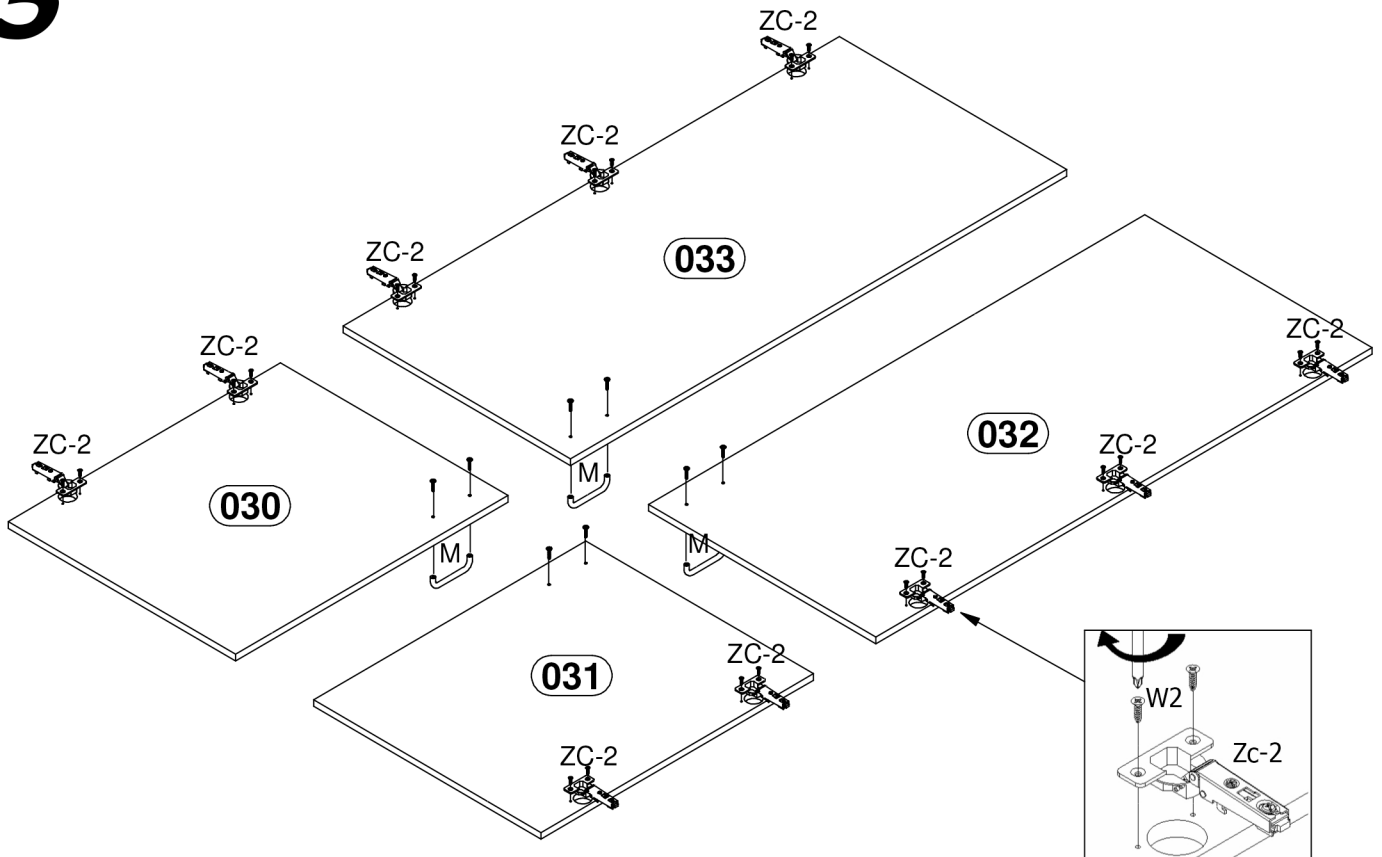
3



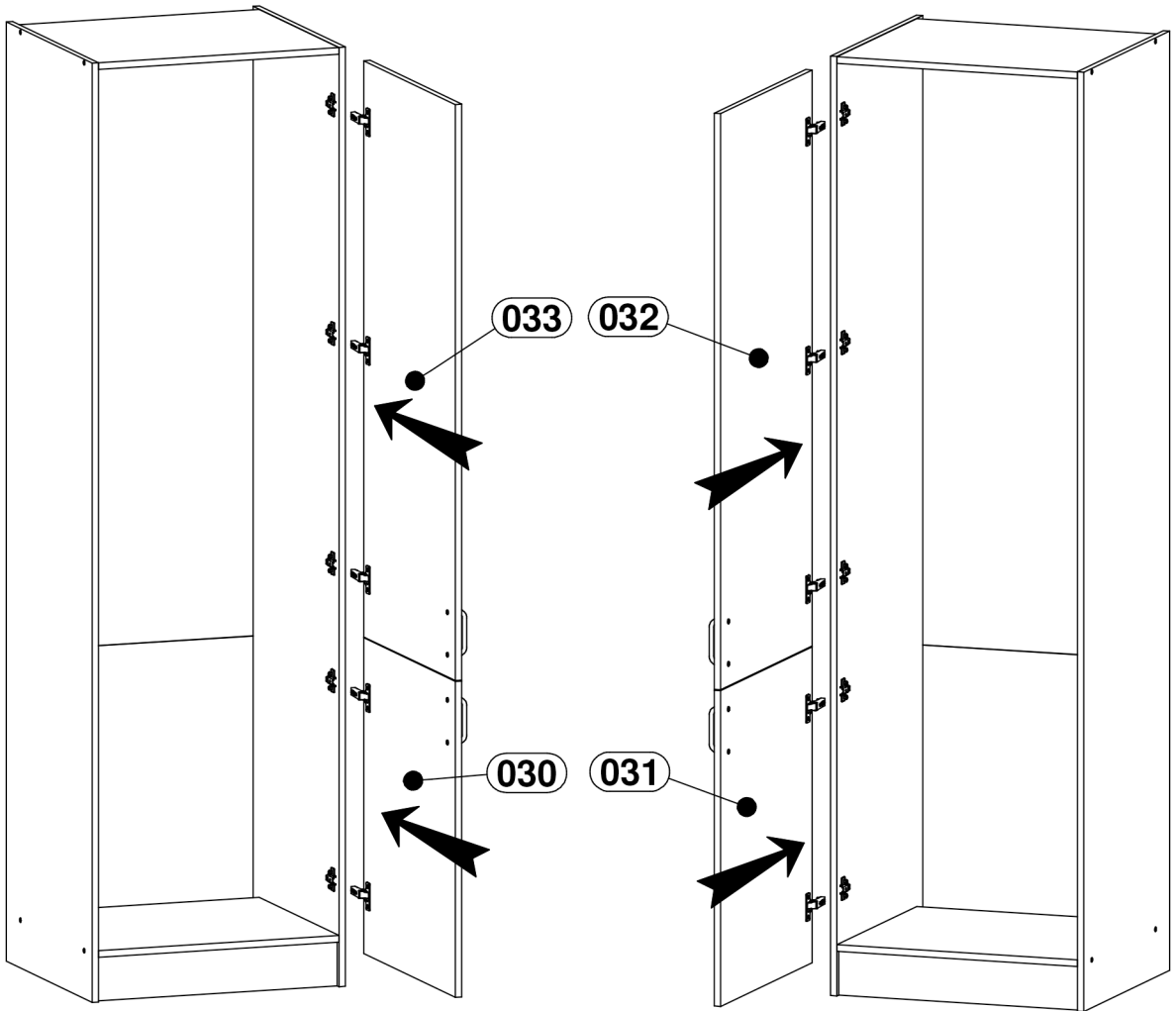
4



5



6



7

