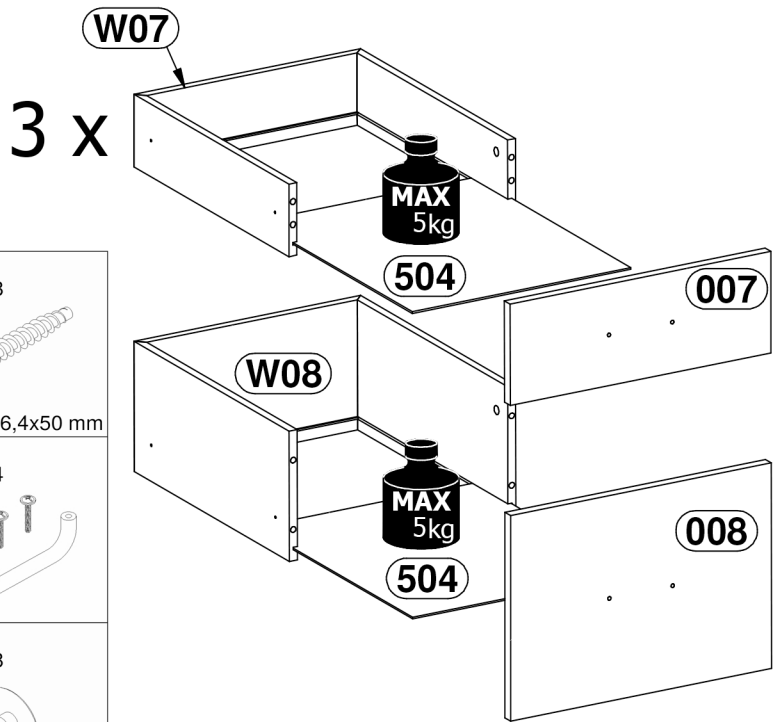
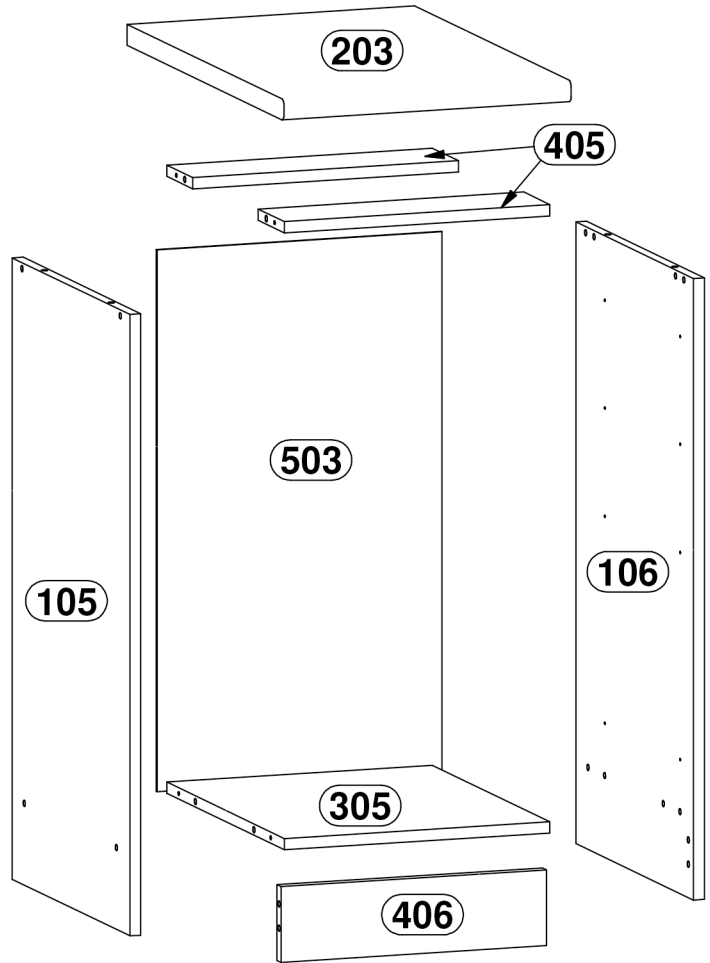
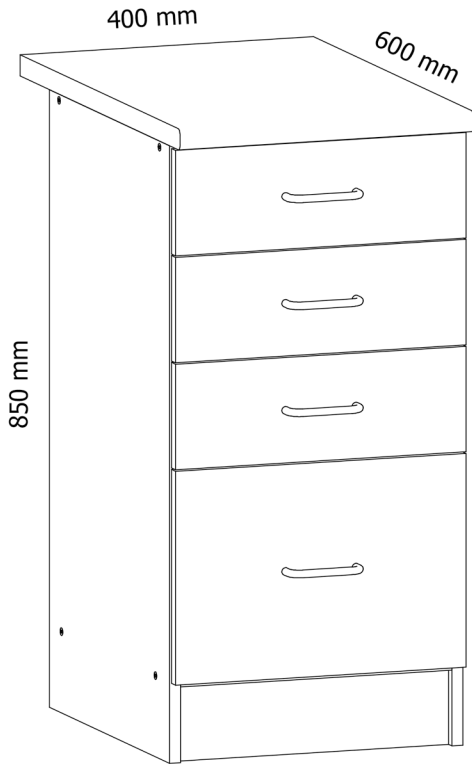
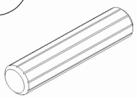
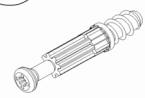

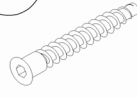
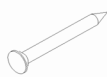



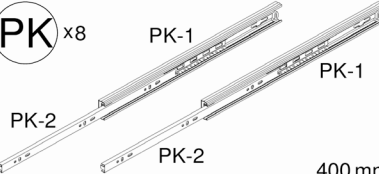



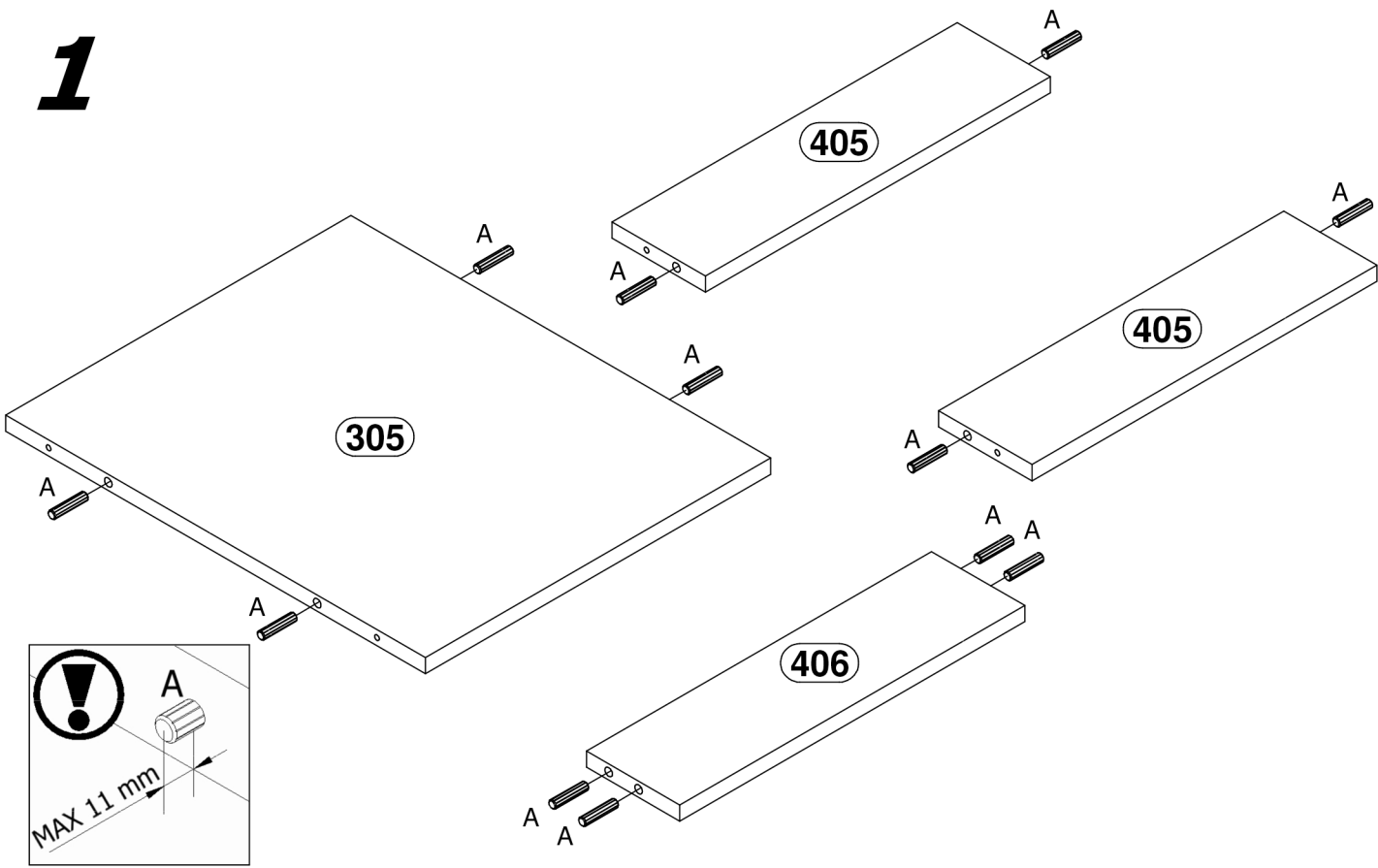


# K02-D40S4

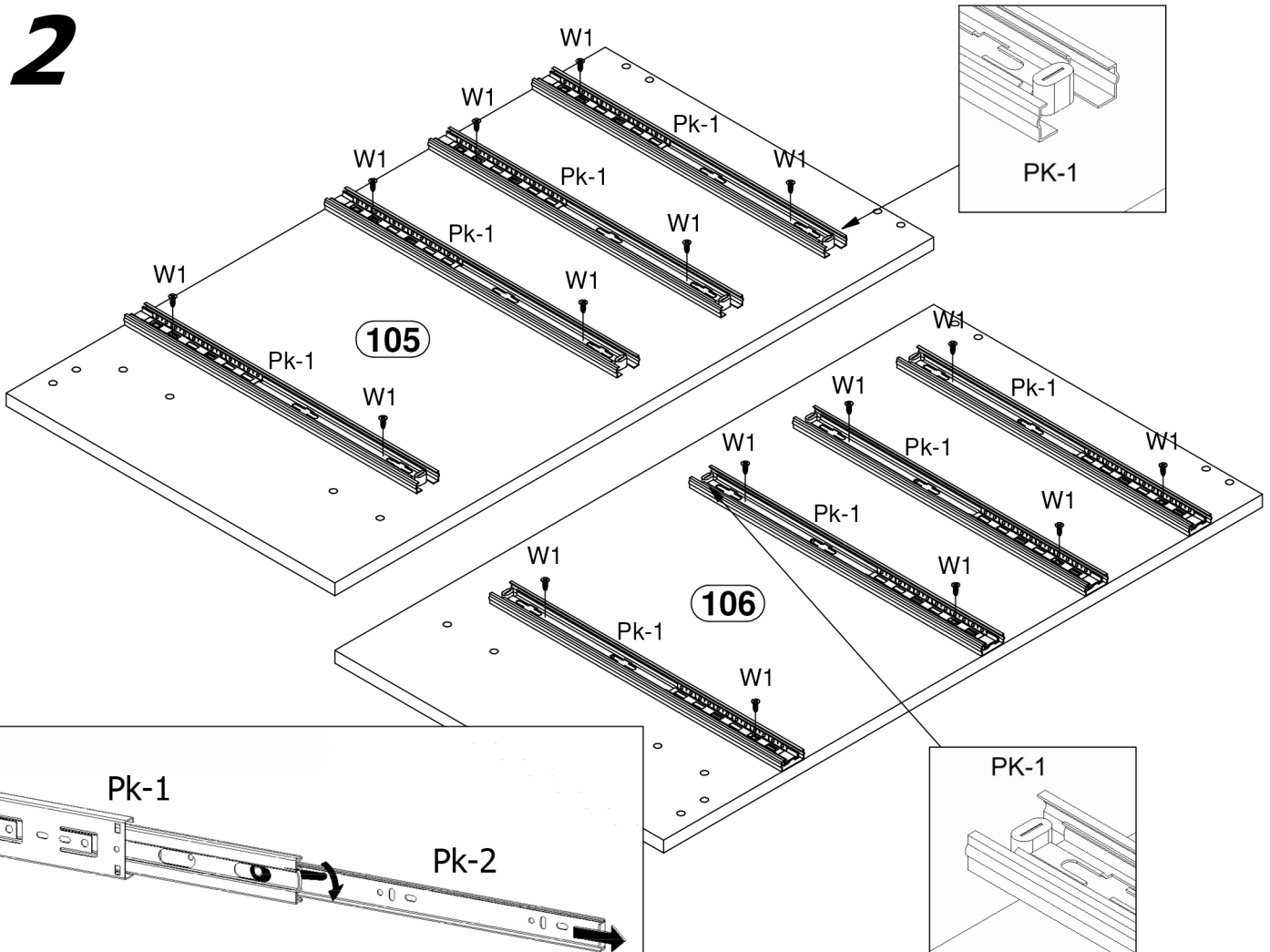


<b>A</b> x24  Ø8x35mm	<b>B</b> x8 	<b>C1</b> x8  Ø12x10mm	<b>D</b> x8  Ø6,4x50 mm
<b>G</b> x22 	<b>GL</b> x1 	<b>KL</b> x1 	<b>M</b> x4 
<b>PK</b> x8  PK-1 PK-2 400 mm	<b>W1</b> x32  Ø3,5x13mm	<b>Y</b> x8  Ø18 mm	
<b>Y2</b> x8 			

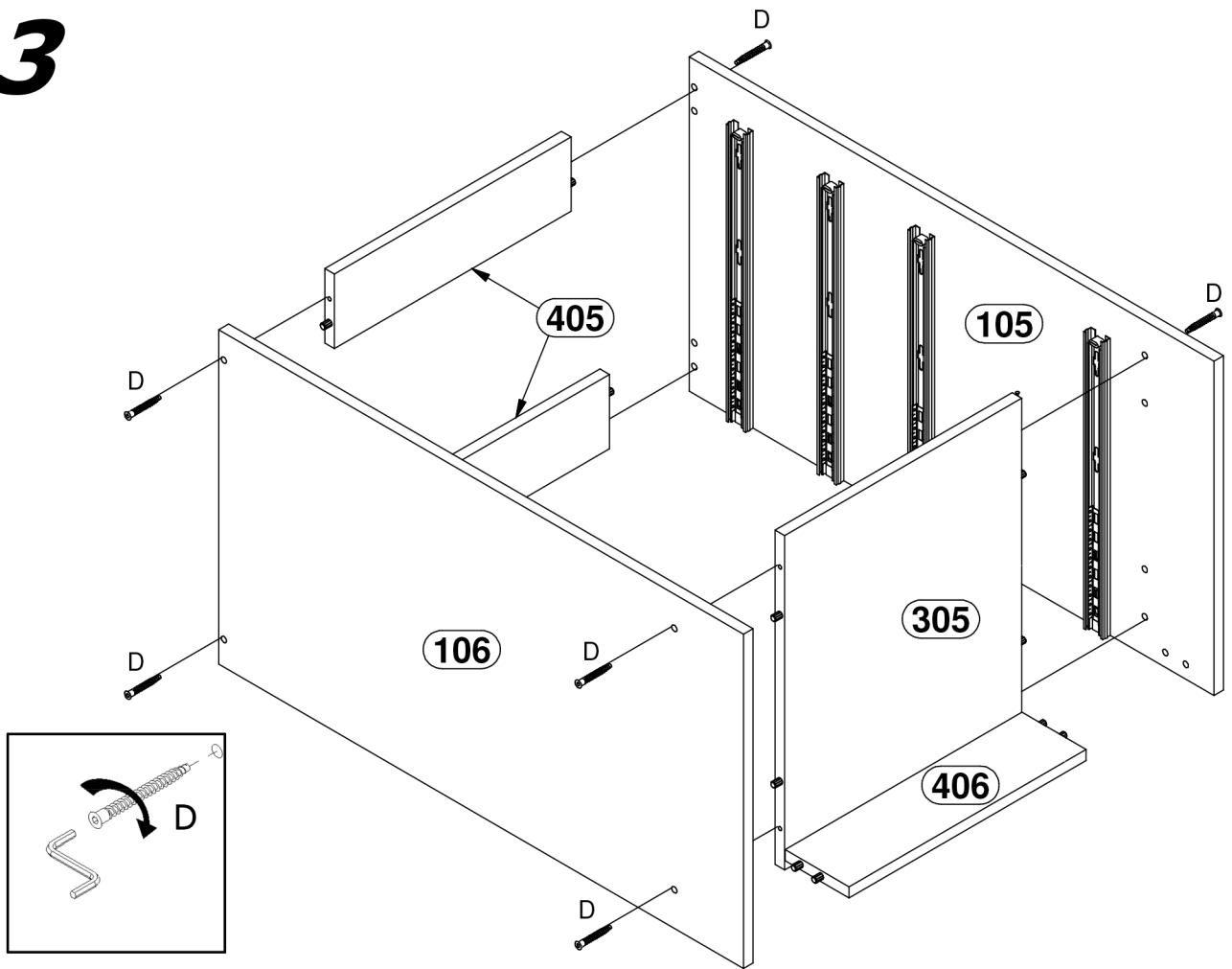
# 1



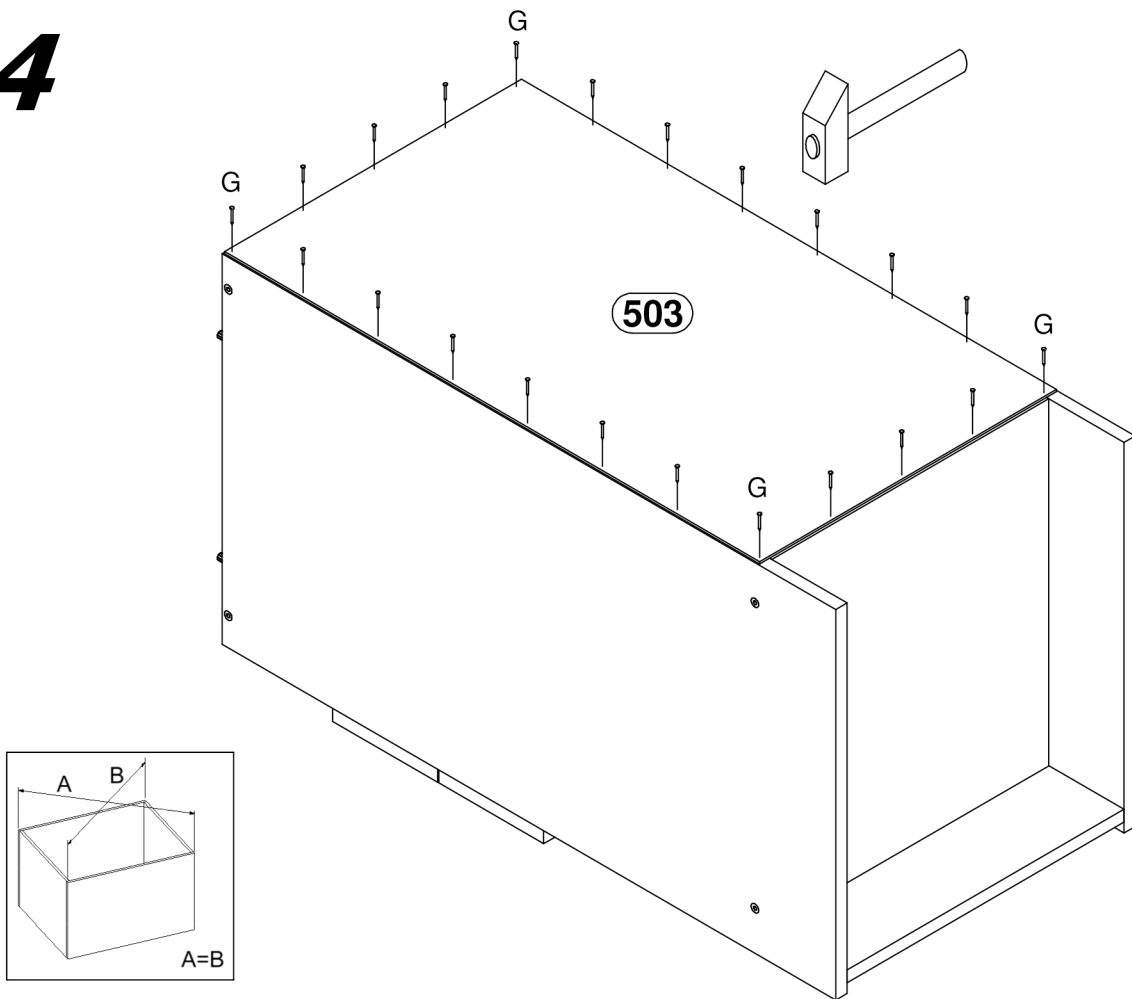
# 2



# 3

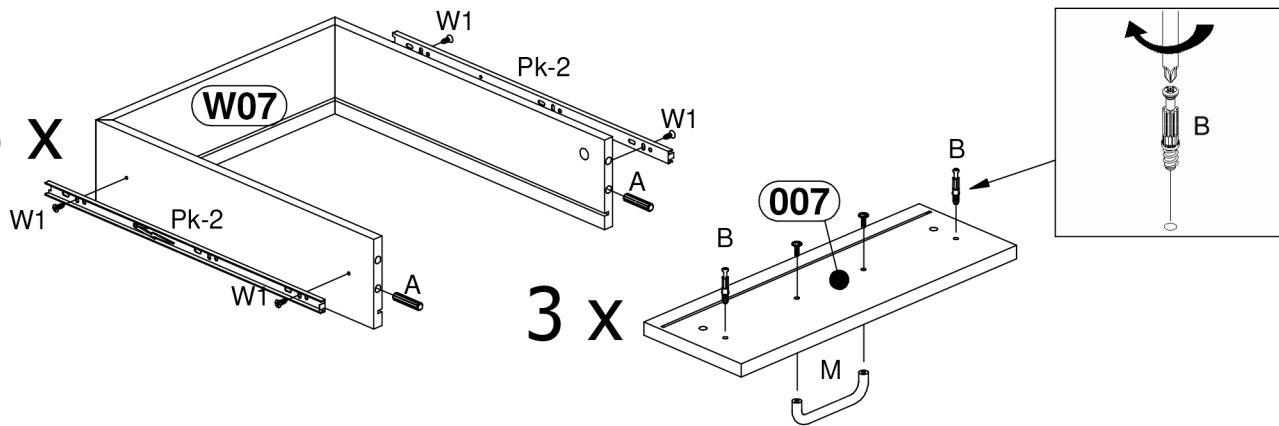


# 4

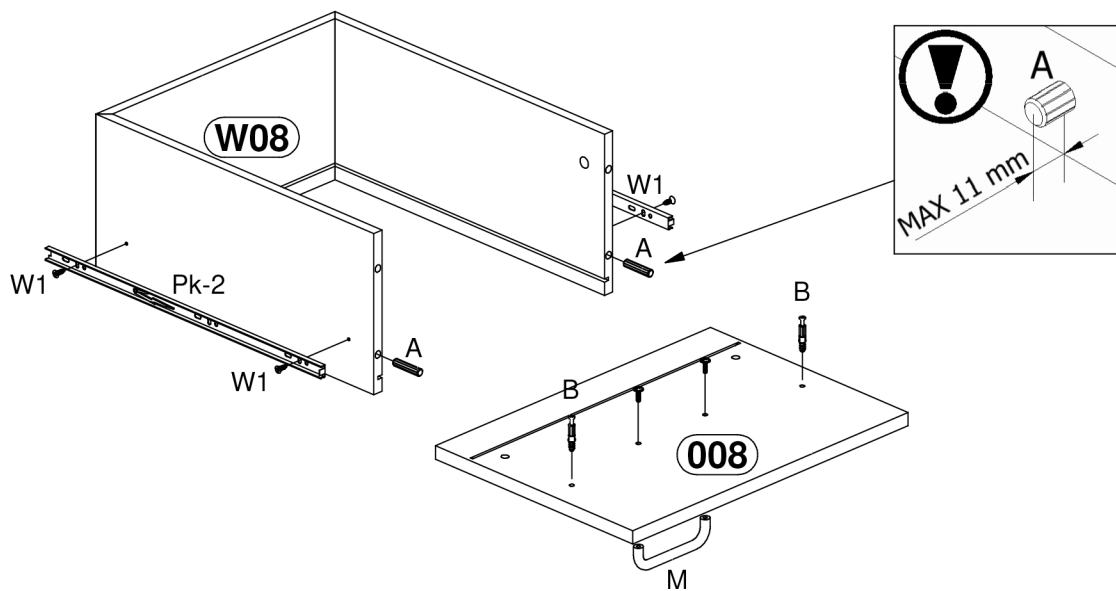


# 5

## 3 X

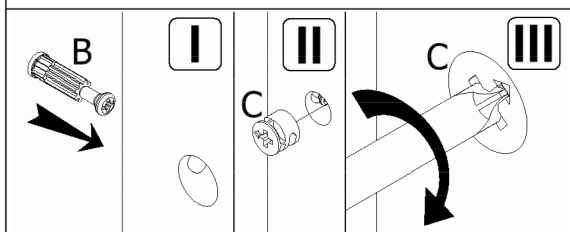
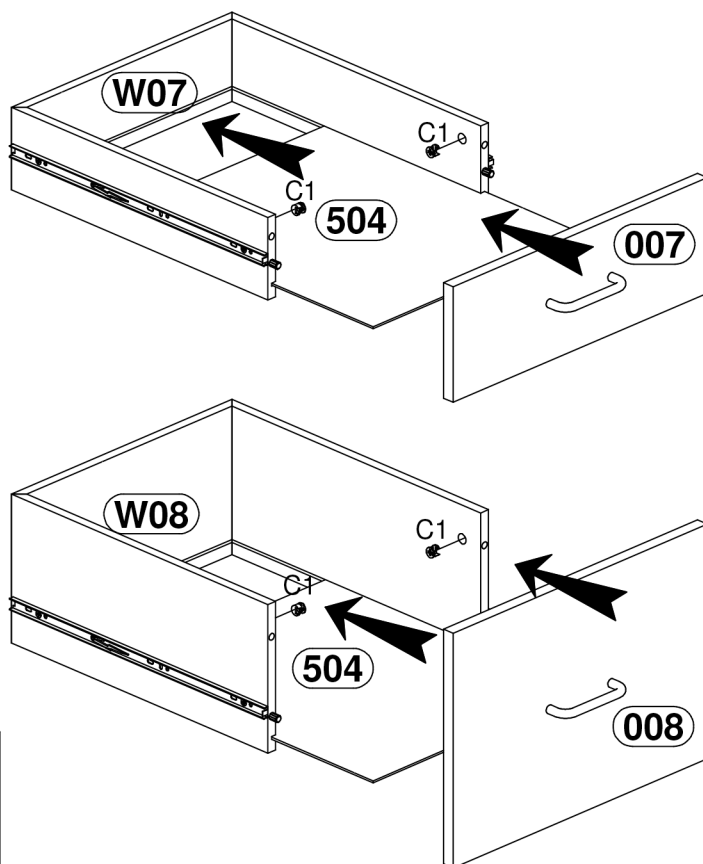


## 3 X



# 6

## 3 X



7

