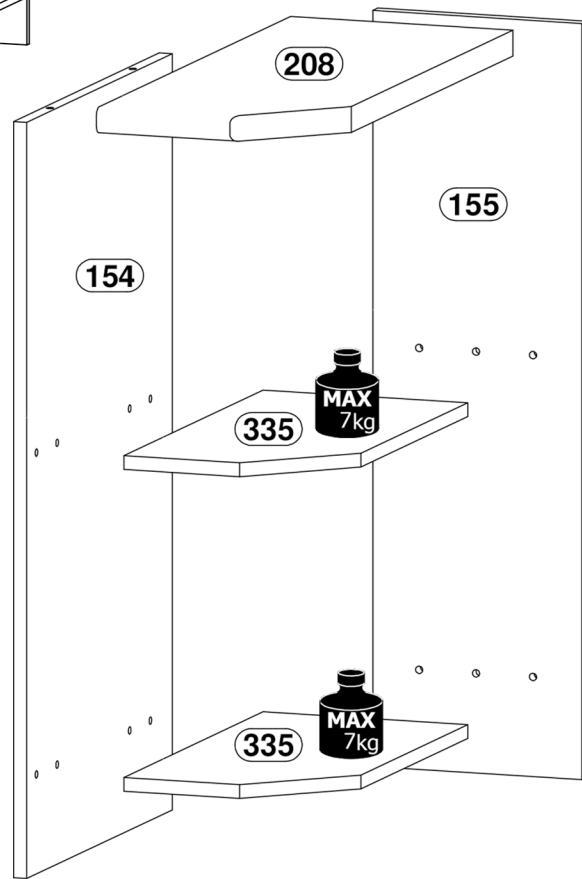
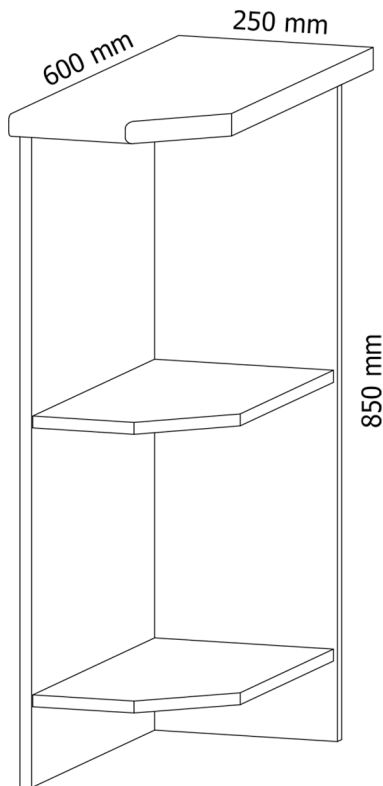
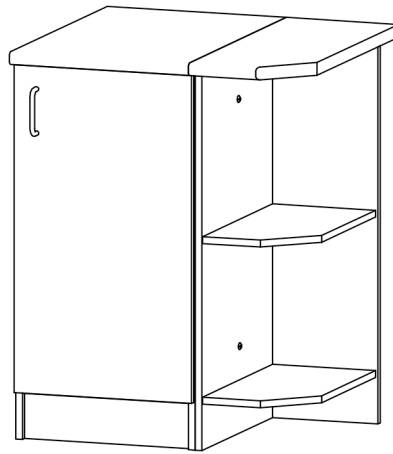
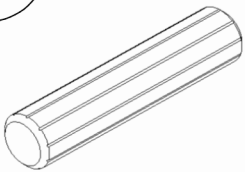


K02-D25PZP

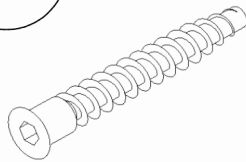


A x10



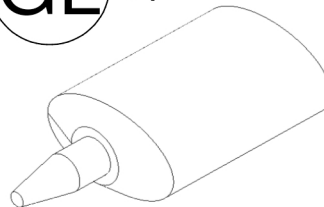
Ø8x35mm

D x8

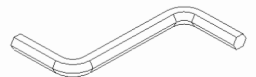


Ø6,4x50 mm

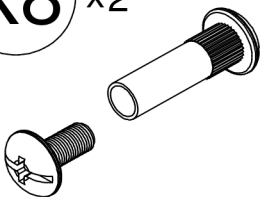
GL x1



KL x1



X8 x2

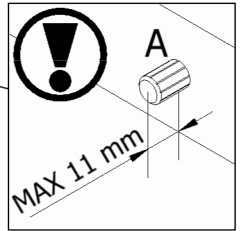
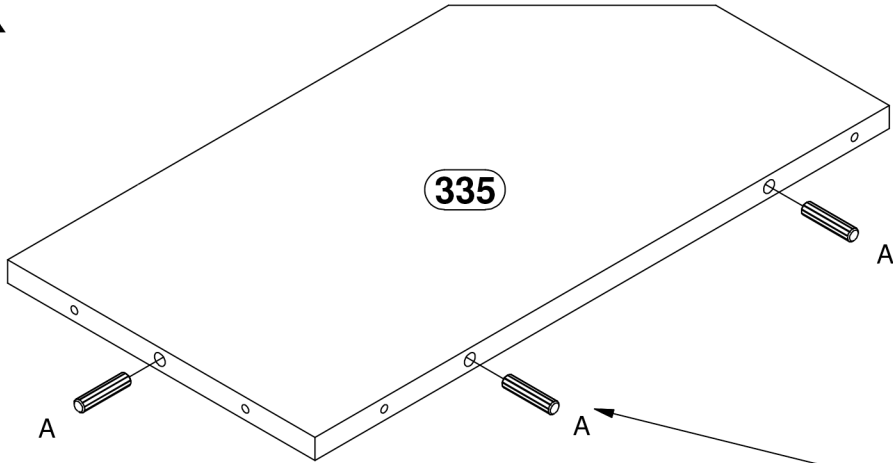


Y2 x8

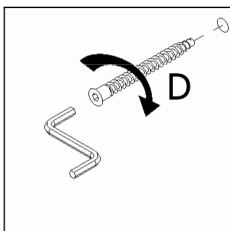
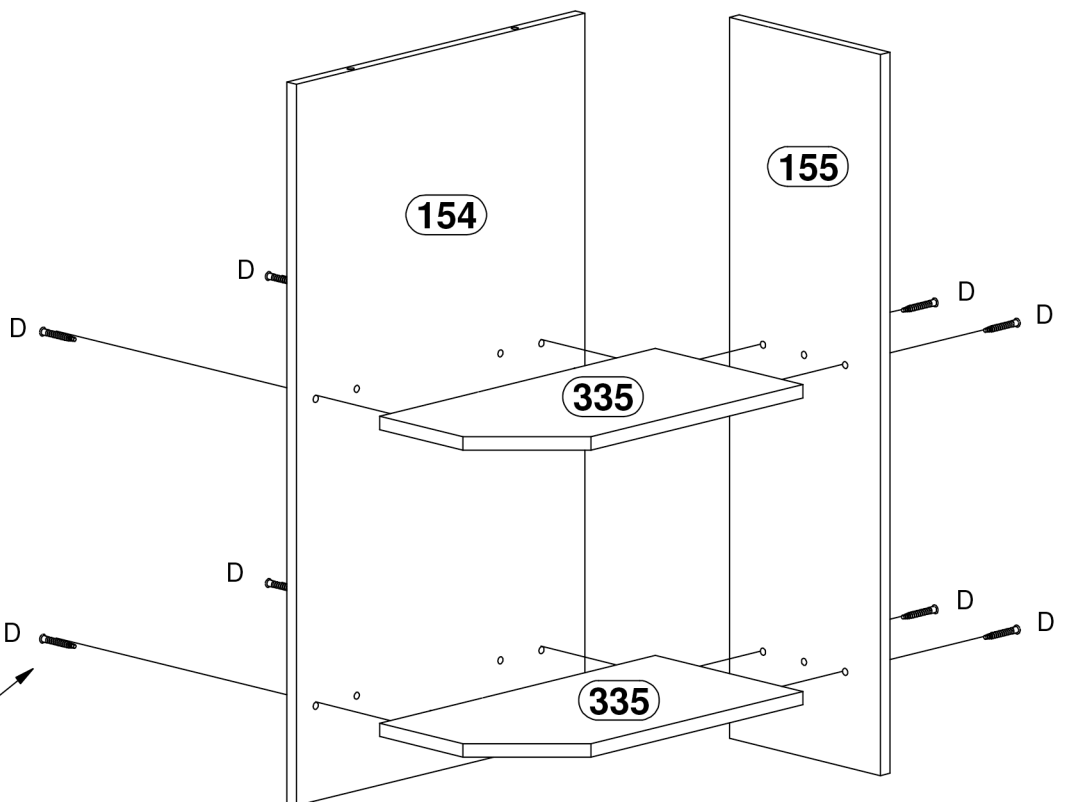


1

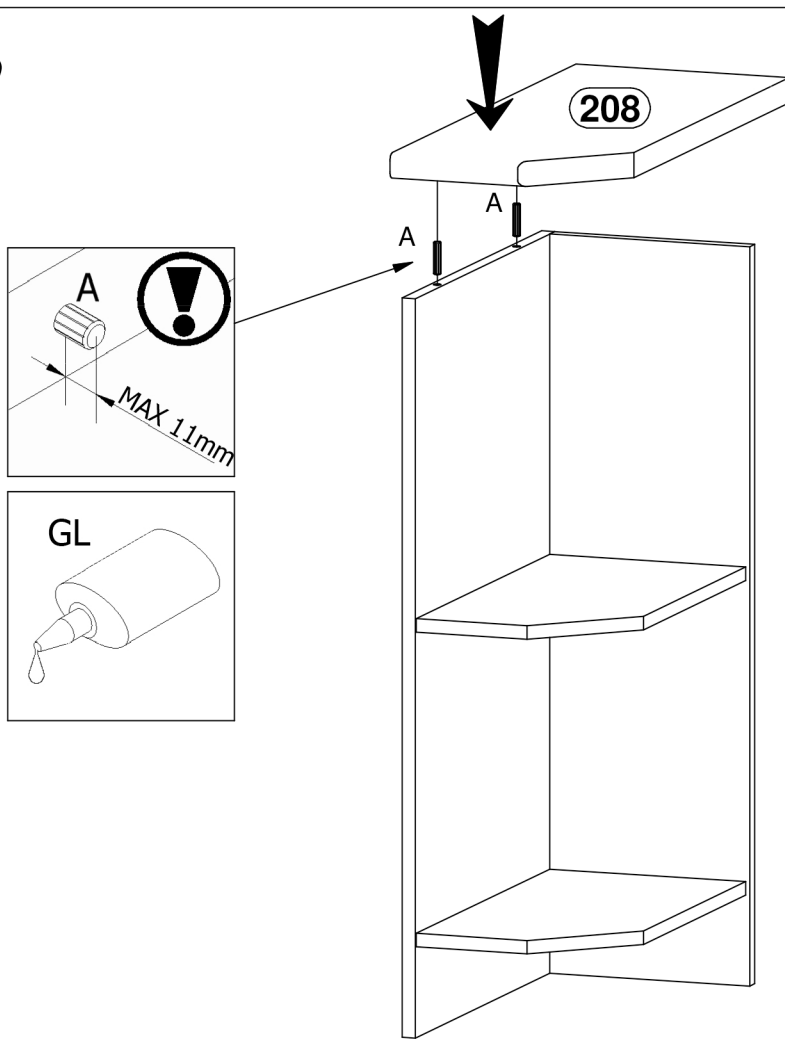
2x



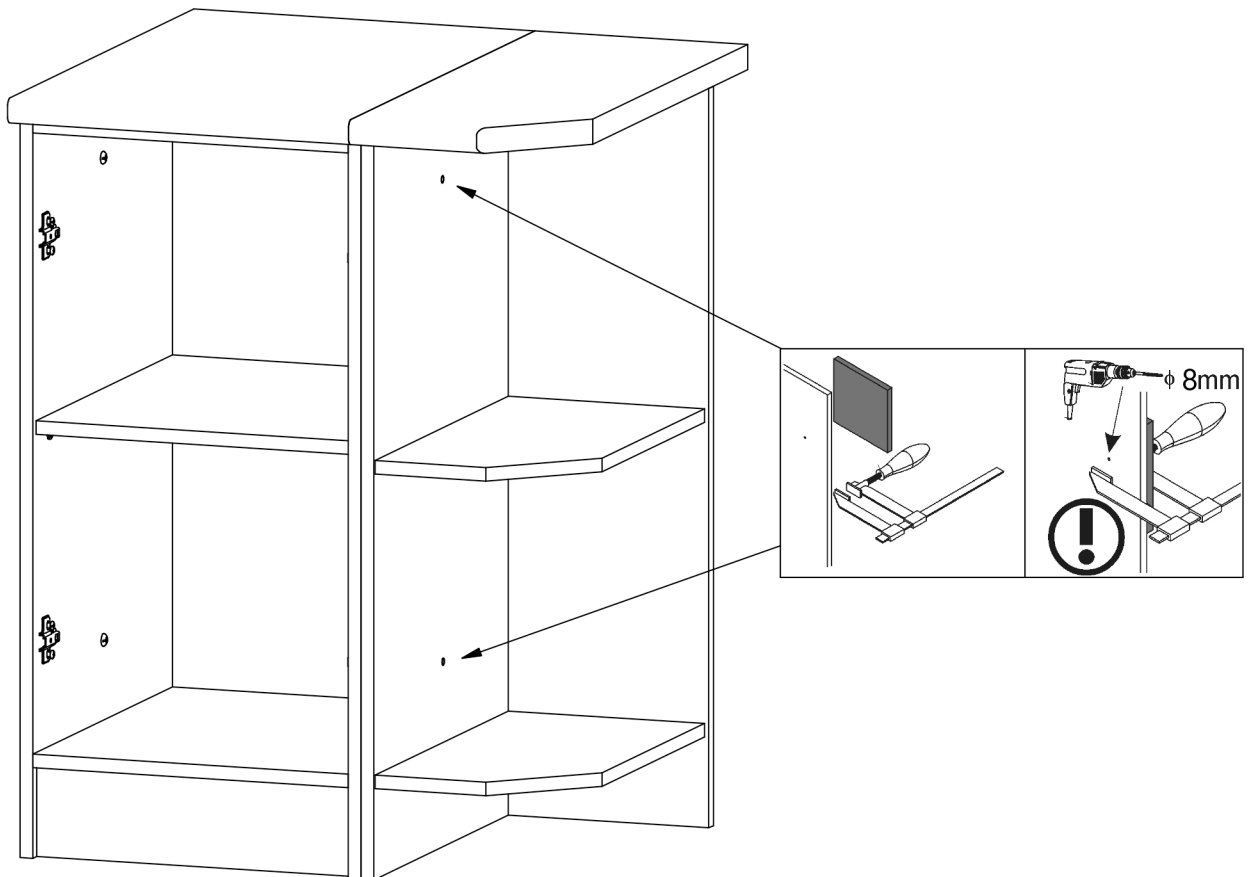
2



3



4



5

