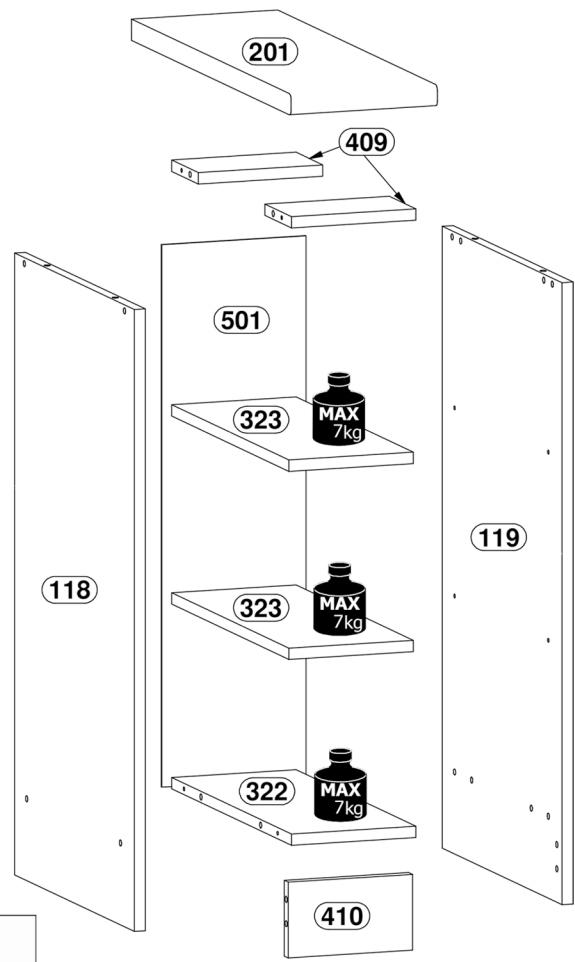
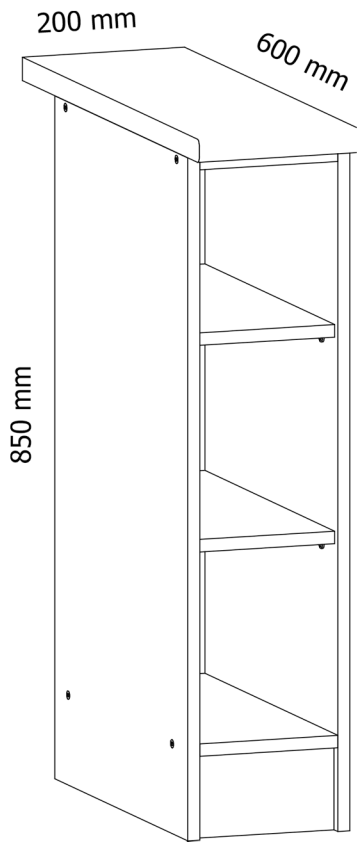
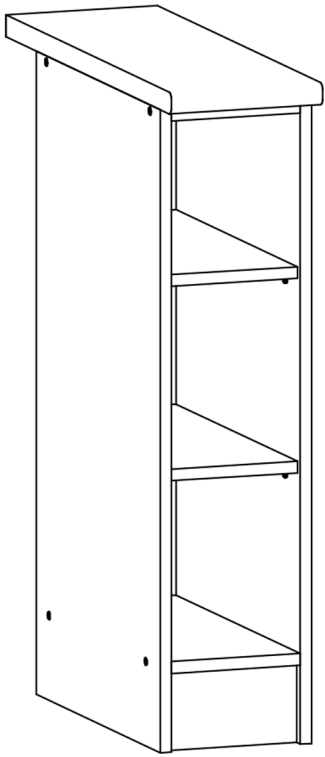

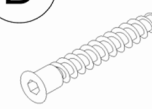





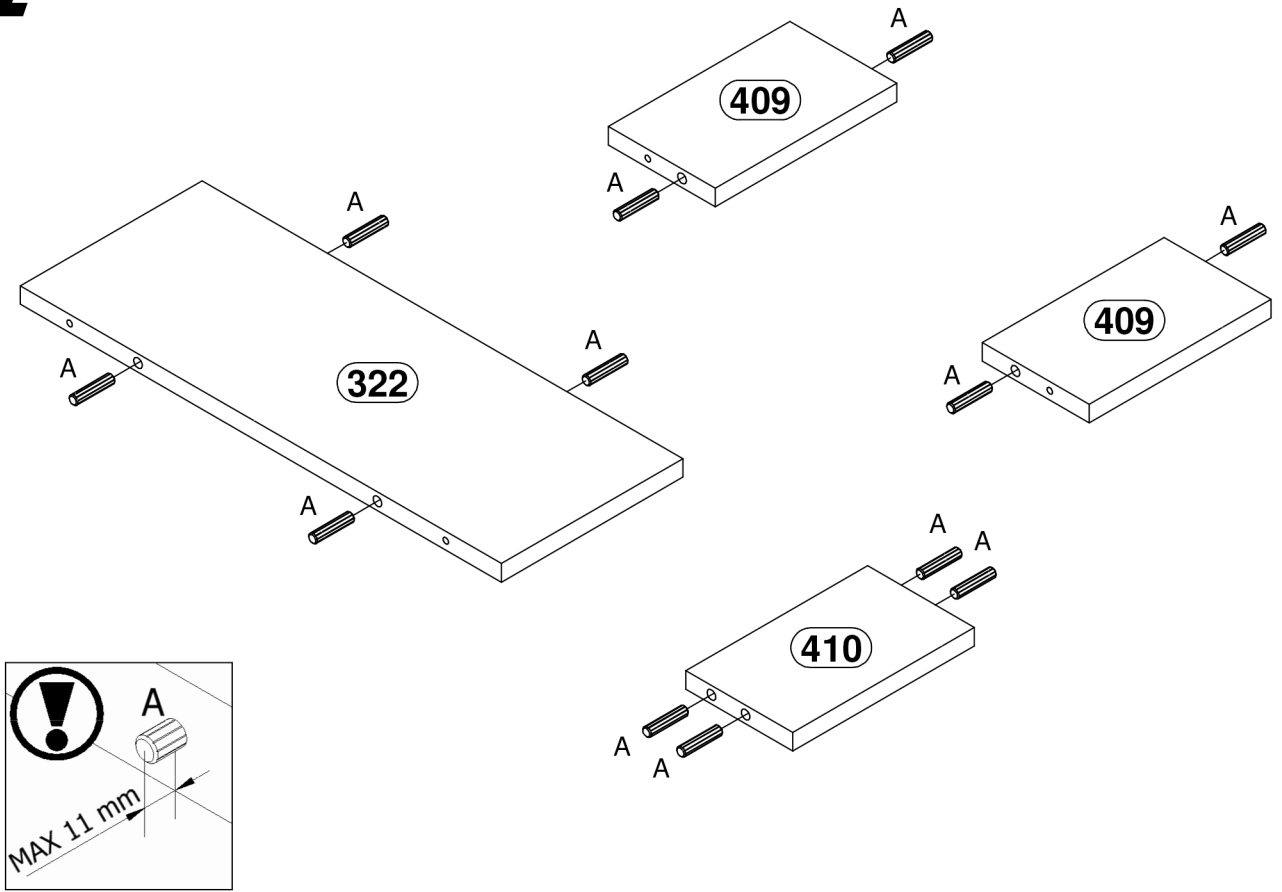


K02-D20P

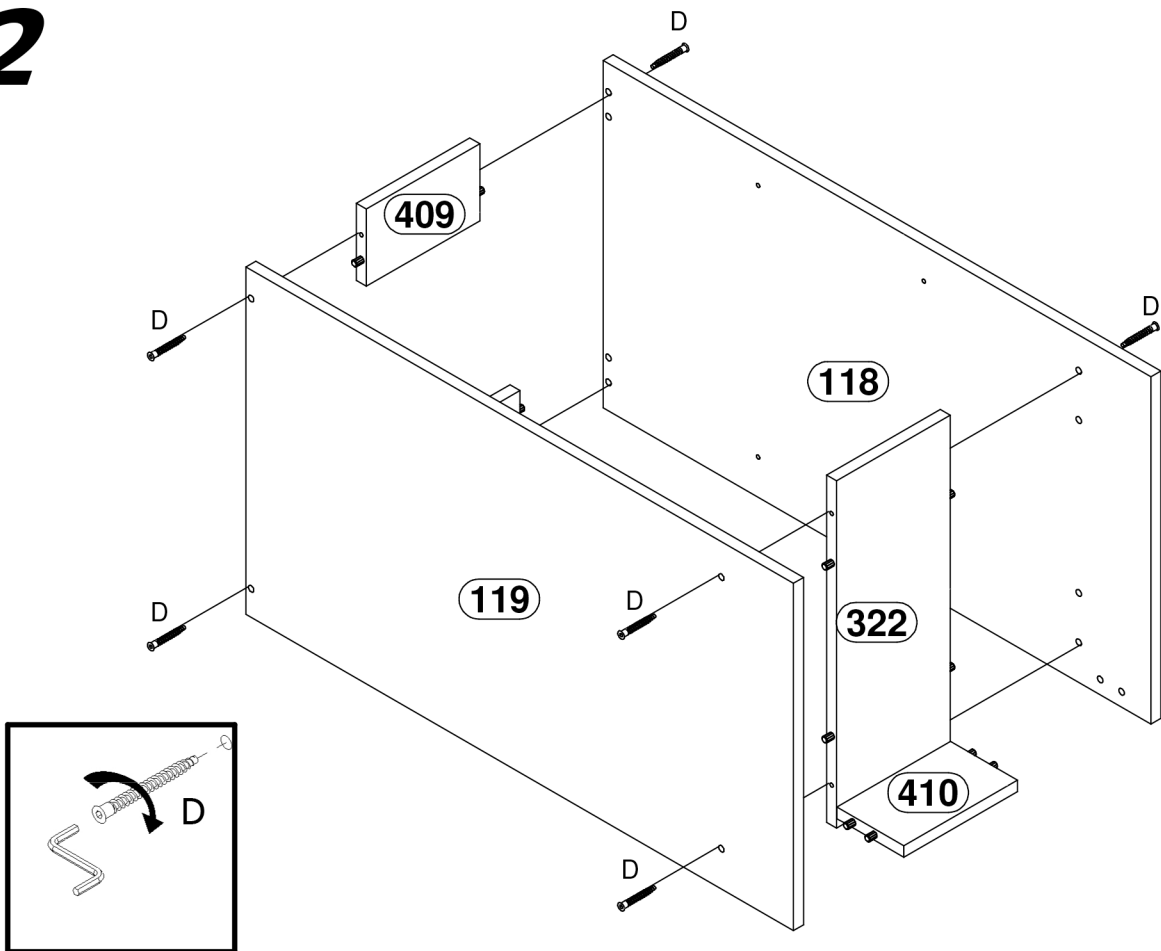


<p>A x16</p>  <p>Ø8x35mm</p>	<p>D x8</p>  <p>Ø6,4x50 mm</p>	<p>E x8</p> 	<p>G x20</p> 
<p>KL x1</p> 	<p>GL x1</p> 	<p>Y2 x8</p> 	

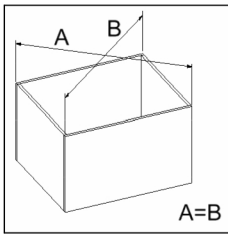
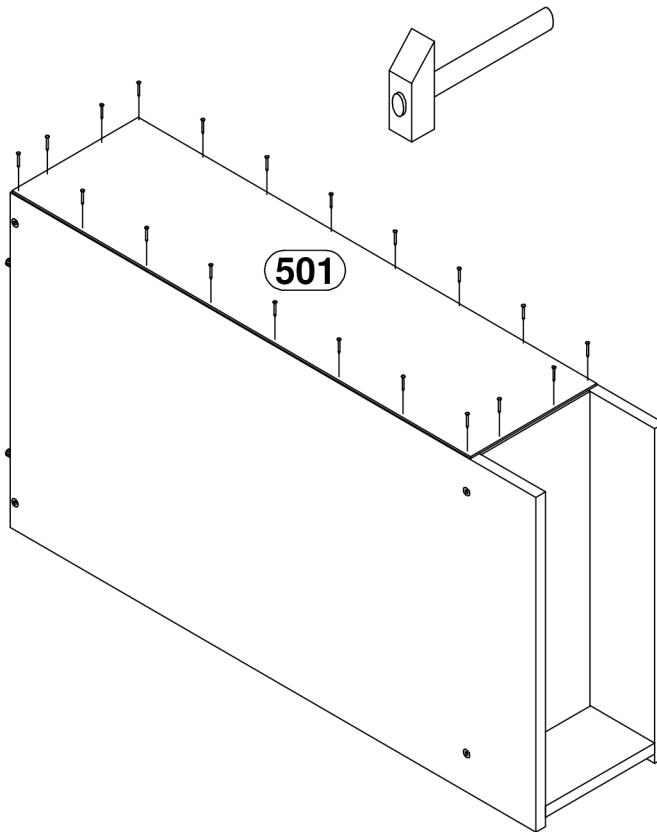
1



2



3



4

