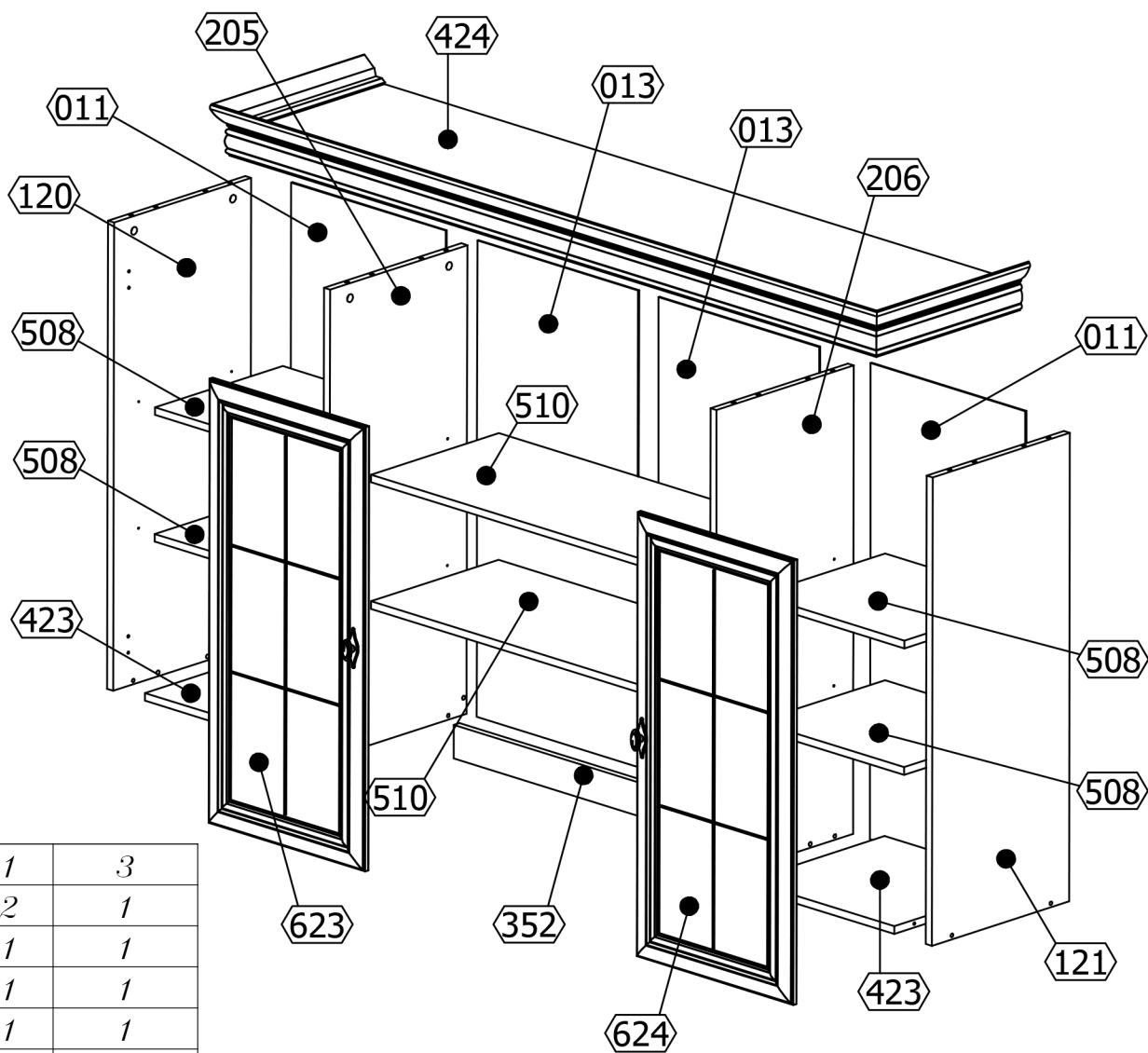
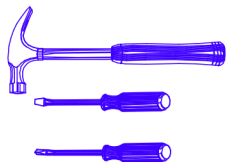
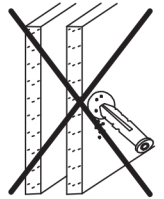
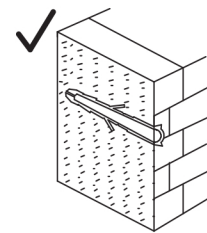
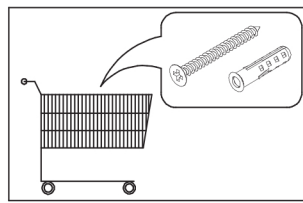
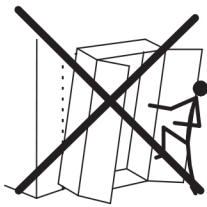
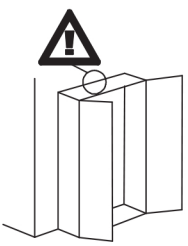


Kora KN5

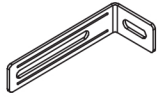


| | | | |
|----|-----|---|---|
| 1 | 424 | 1 | 3 |
| 2 | 423 | 2 | 1 |
| 3 | 120 | 1 | 1 |
| 4 | 121 | 1 | 1 |
| 5 | 205 | 1 | 1 |
| 6 | 206 | 1 | 1 |
| 7 | 011 | 2 | 3 |
| 8 | 013 | 2 | 3 |
| 9 | 508 | 4 | 1 |
| 10 | 510 | 2 | 1 |
| 11 | 352 | 1 | 3 |
| 12 | 623 | 1 | 2 |
| 13 | 624 | 1 | 2 |



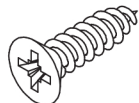


T4 x1

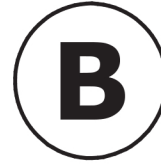


75x28x16 mm

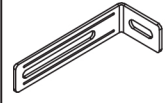
W2 x2



Ø3,5x16mm



T4 x2

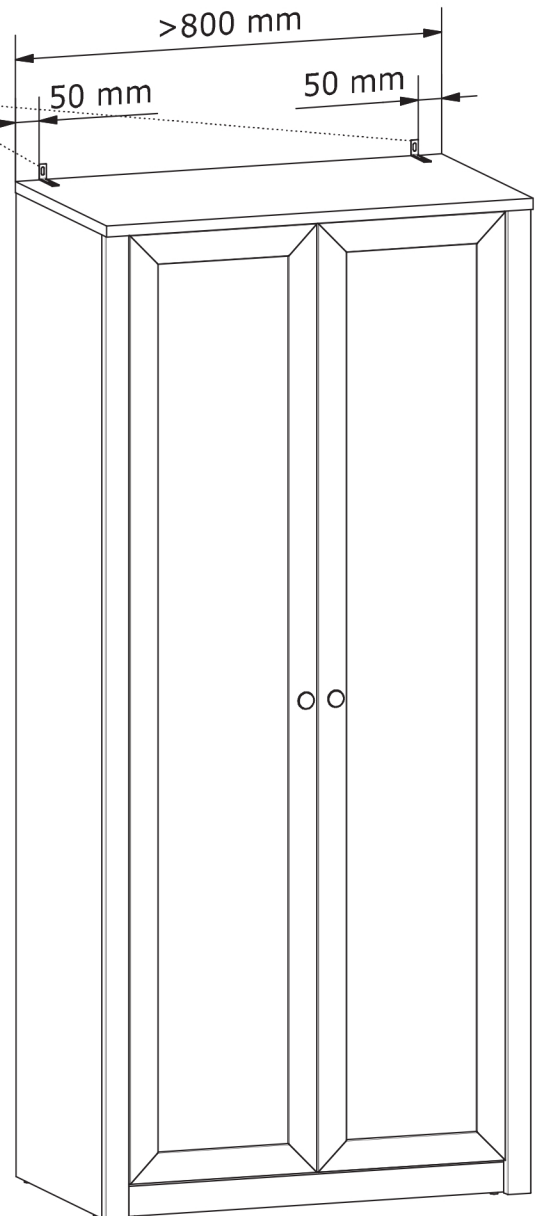
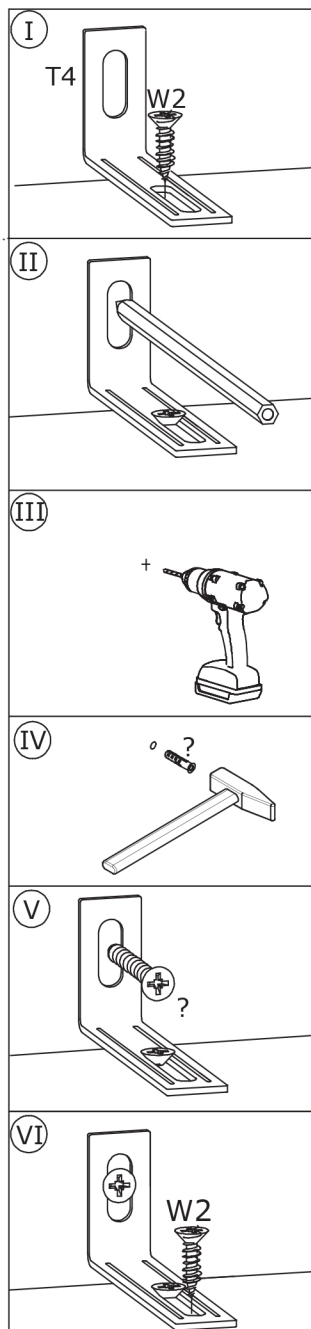
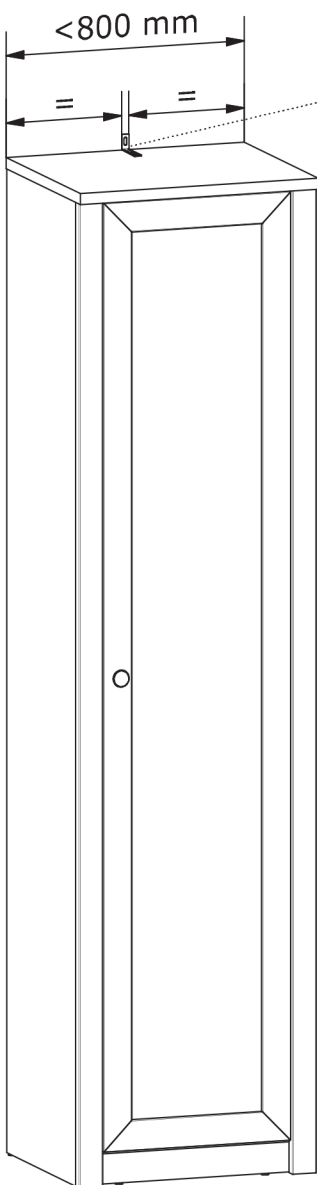


75x28x16 mm

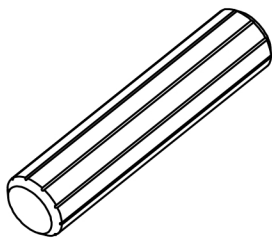
W2 x4



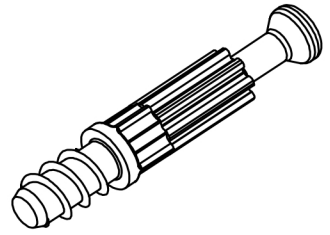
Ø3,5x16mm



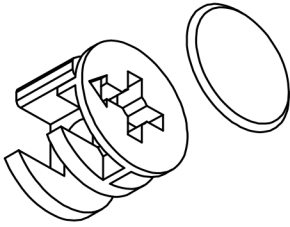
A x18
(8x36)



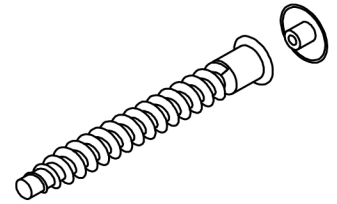
B x8



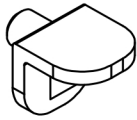
C x8
(Ø15x12)



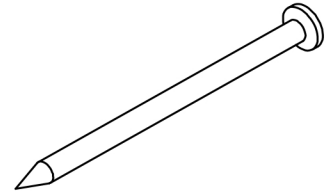
D x8



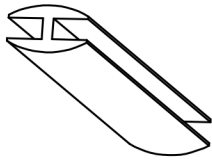
E x24



G x40



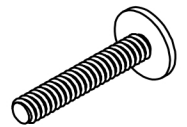
H x1



M x2

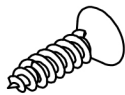


+

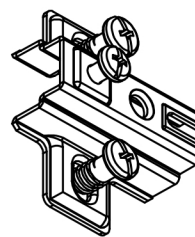


X3 (M4x37)

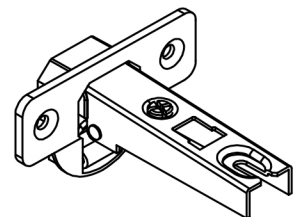
W2 x8
(3,5x16)



U x4

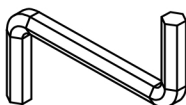


Uz

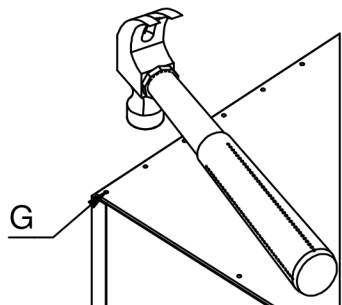
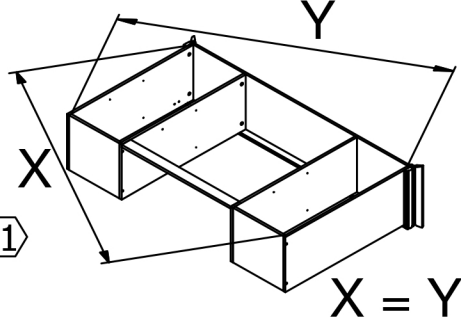
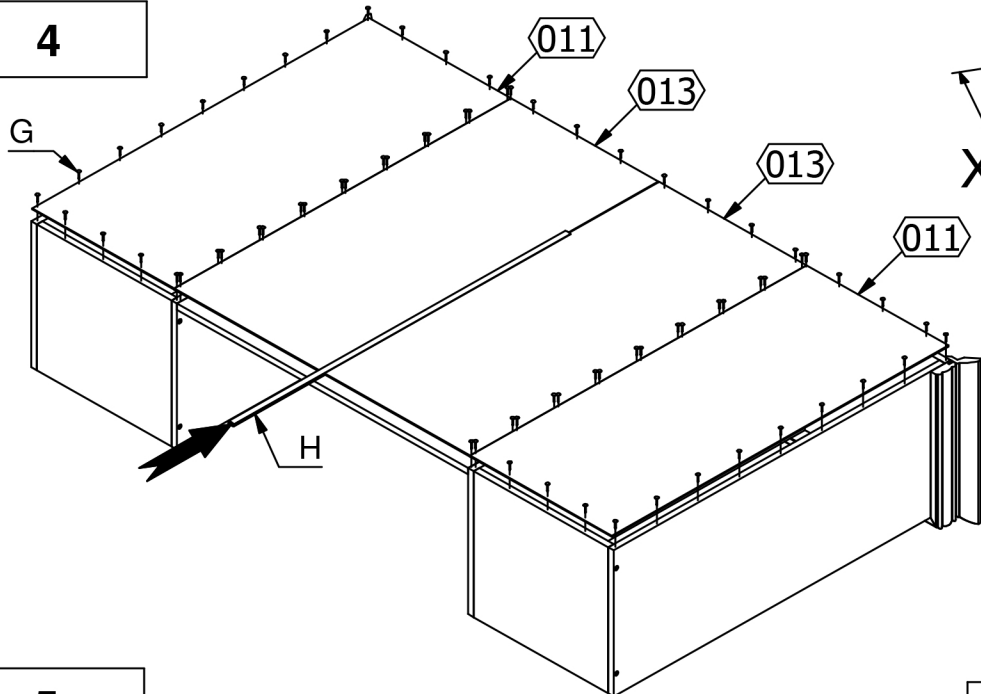


Uz1

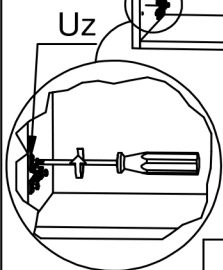
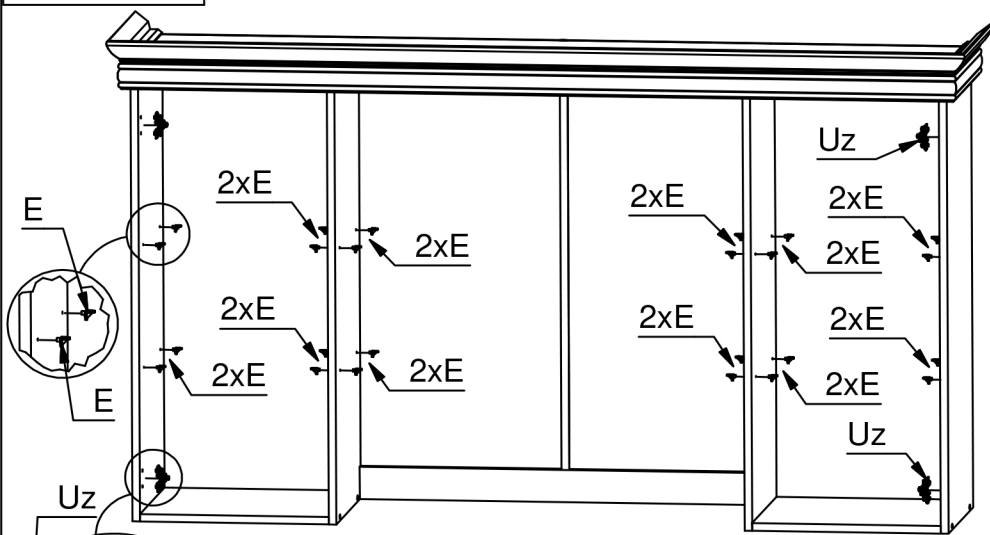
Z x1



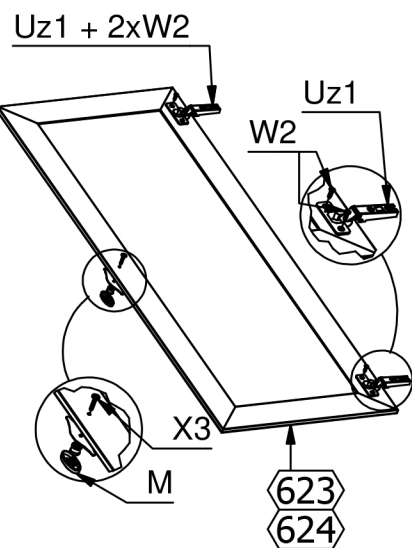
4



5



6



7

