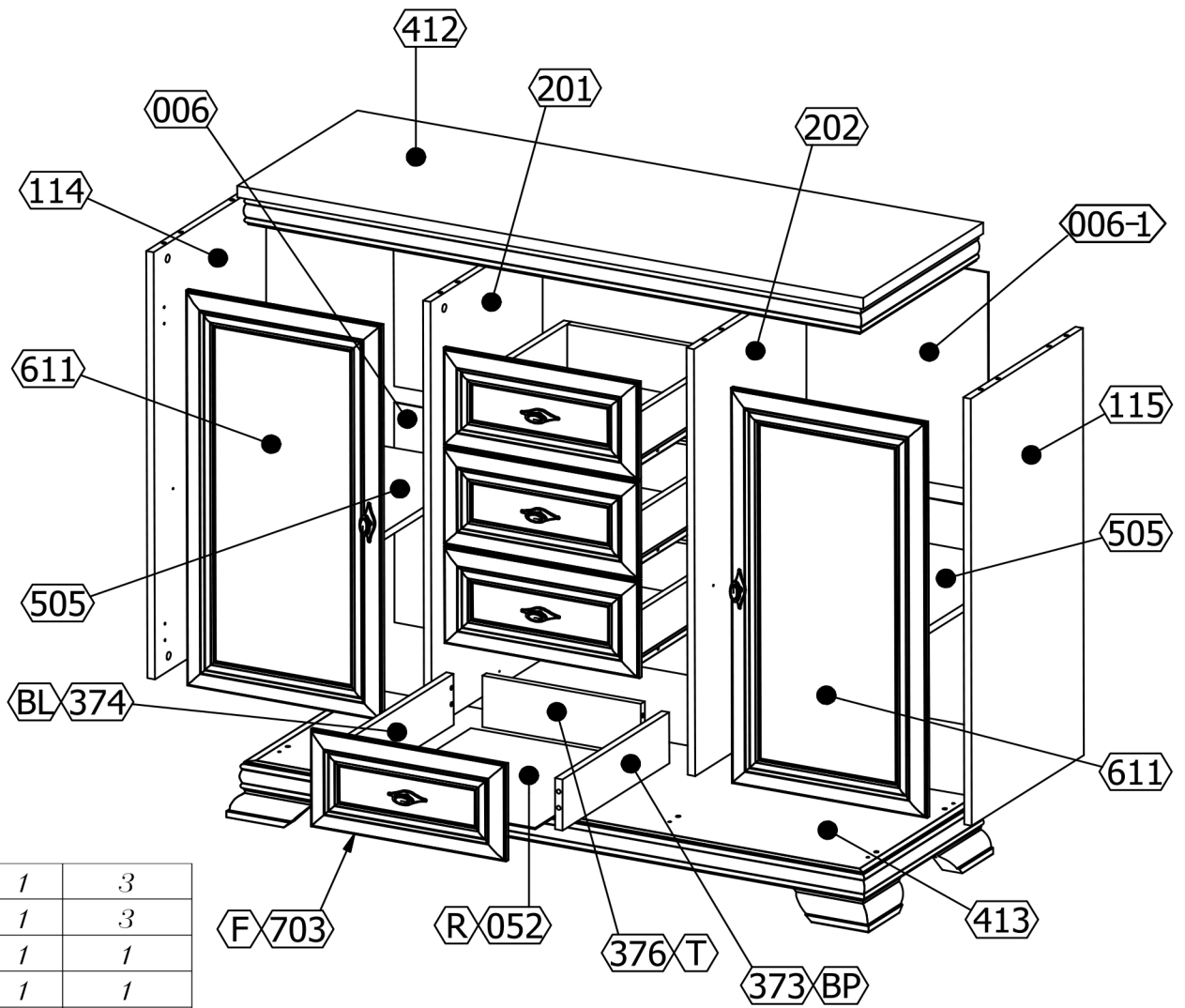
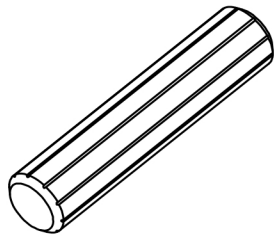


Kora KK3

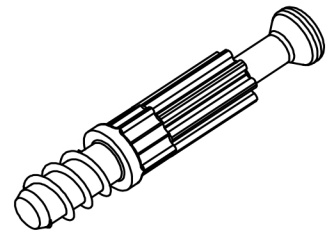


1	412	1	3
2	413	1	3
3	114	1	1
4	115	1	1
5	201	1	1
6	202	1	1
7	006	1	3
	006-1	1	
8	505	2	1
9	611	2	2
10	703	4	2
11	373	4	1
12	374	4	1
13	376	4	1
14	052	4	3

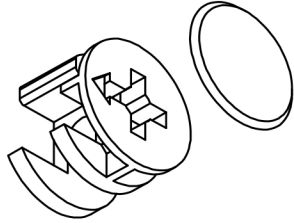
**A** x48  
(8x36)



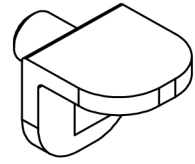
**B** x16



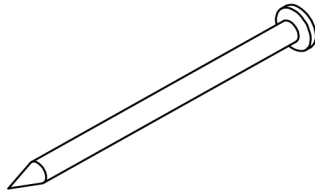
**C** x16  
(Ø15x12)



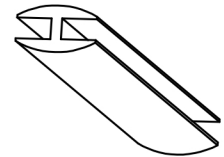
**E** x8



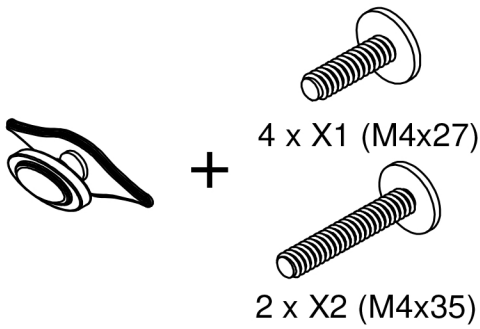
**G** x120



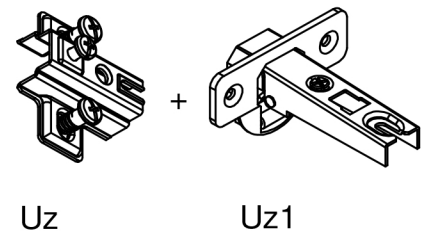
**H** x1



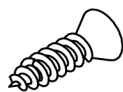
**M** x6



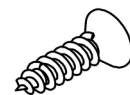
**U** x4



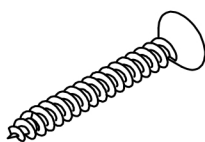
**W1** x16  
(3,5x13)



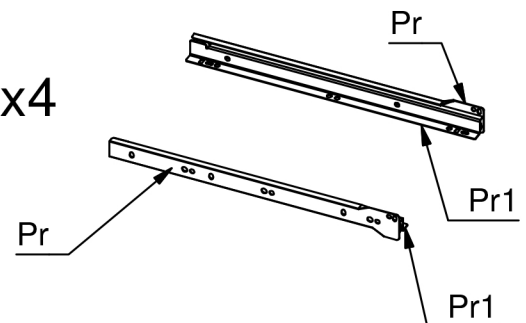
**W2** x8  
(3,5x16)

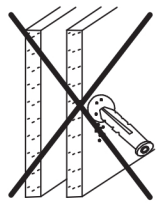
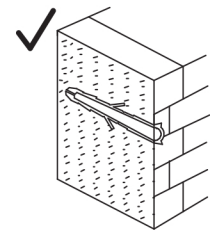
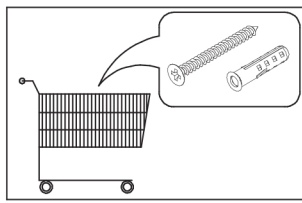
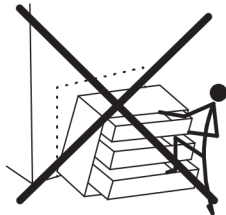
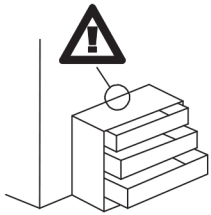


**W3** x16  
(3x25)

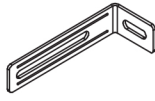


**P** x4



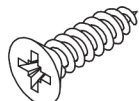


T4 x1

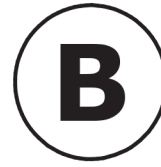
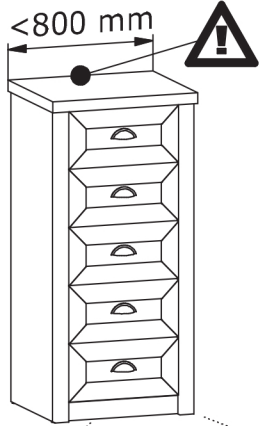


75x28x16 mm

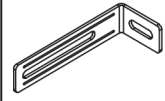
W2 x2



Ø3,5x16mm



T4 x2

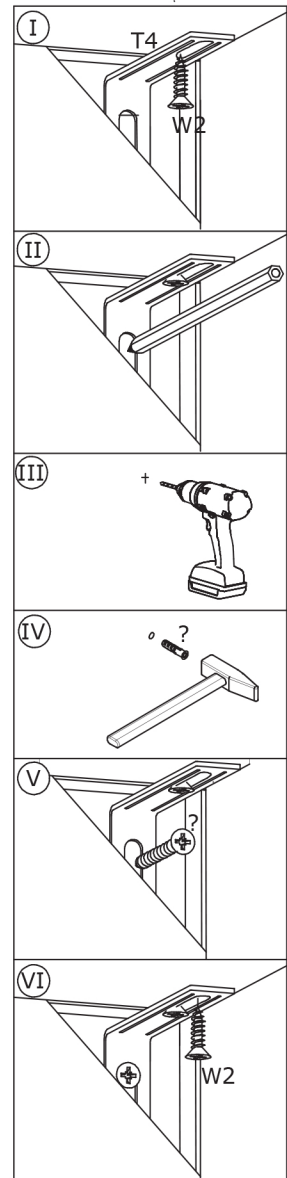
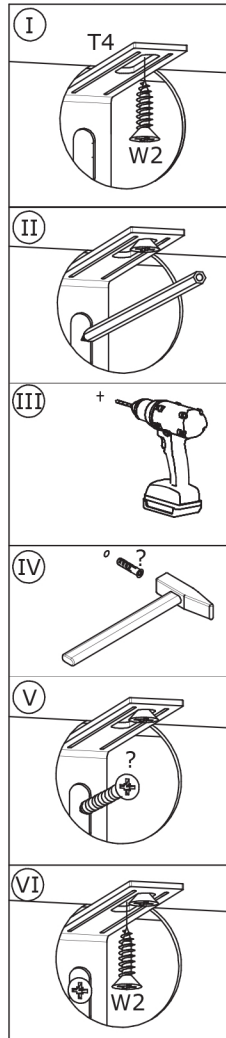
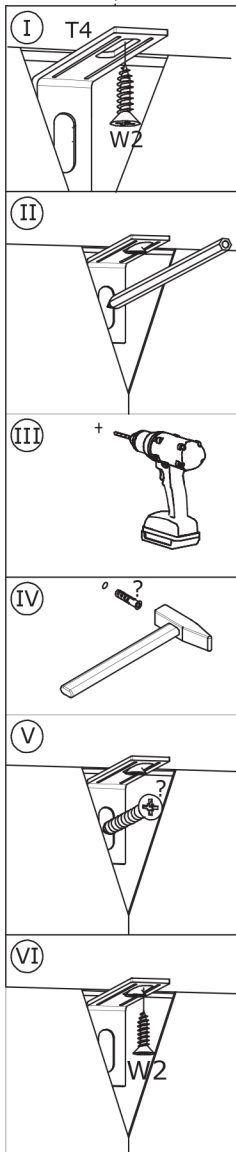
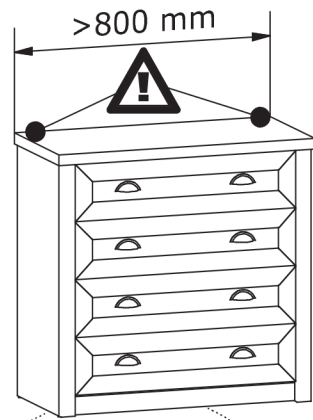


75x28x16 mm

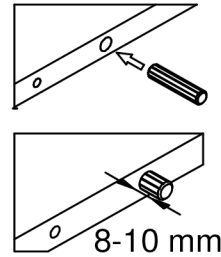
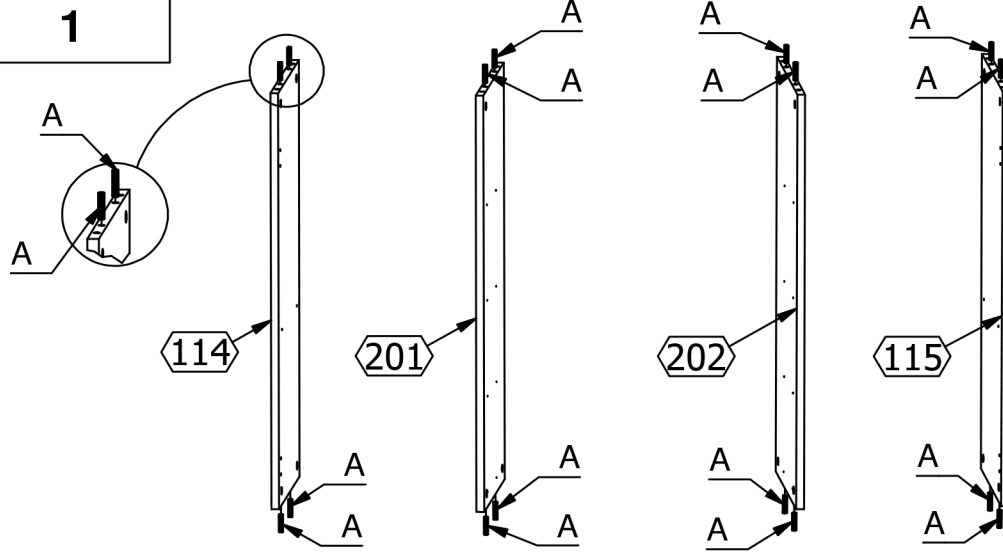
W2 x4



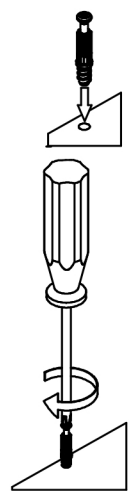
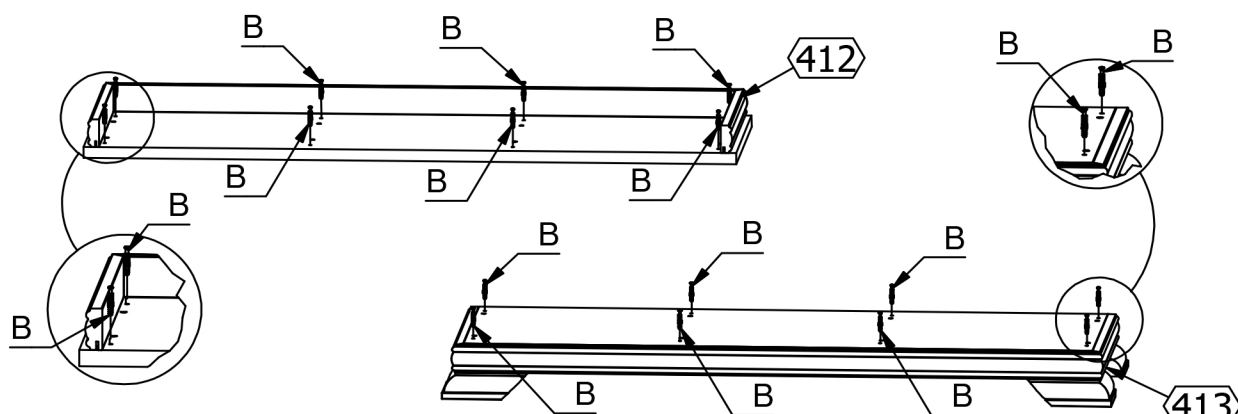
Ø3,5x16mm



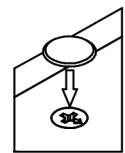
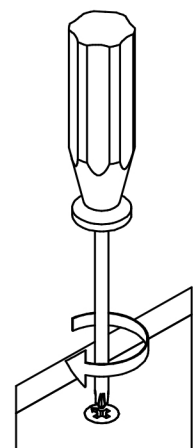
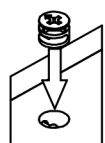
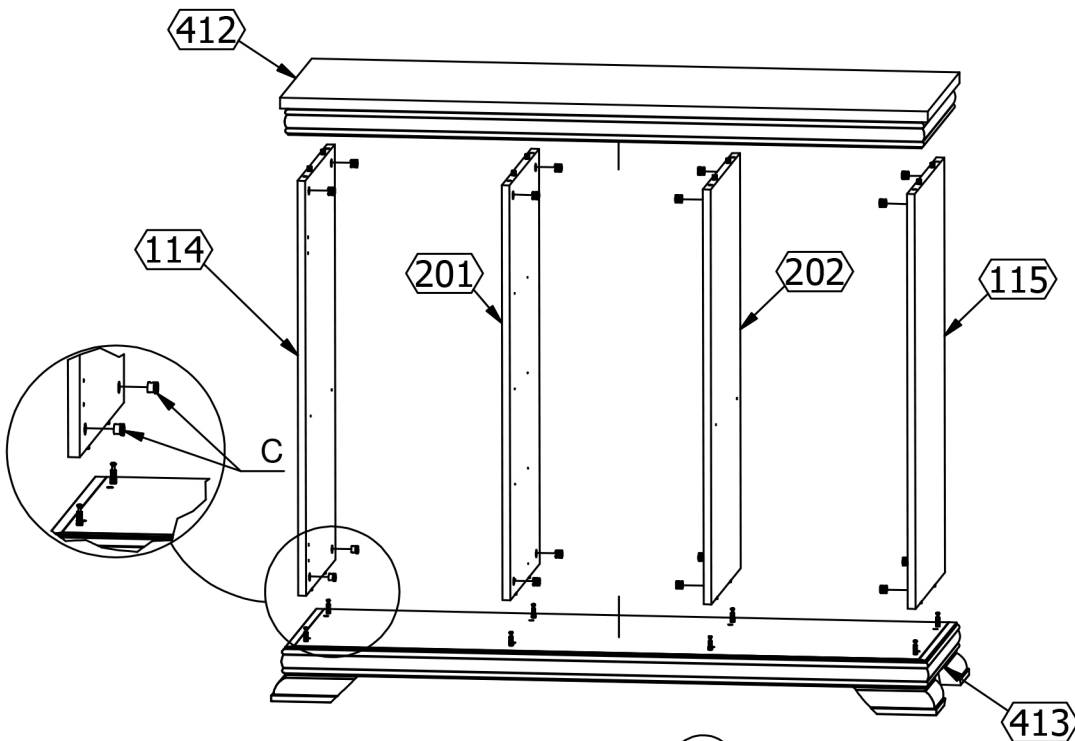
1



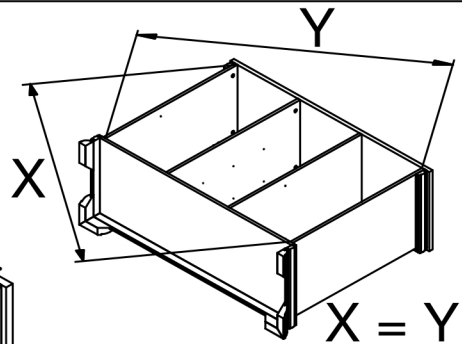
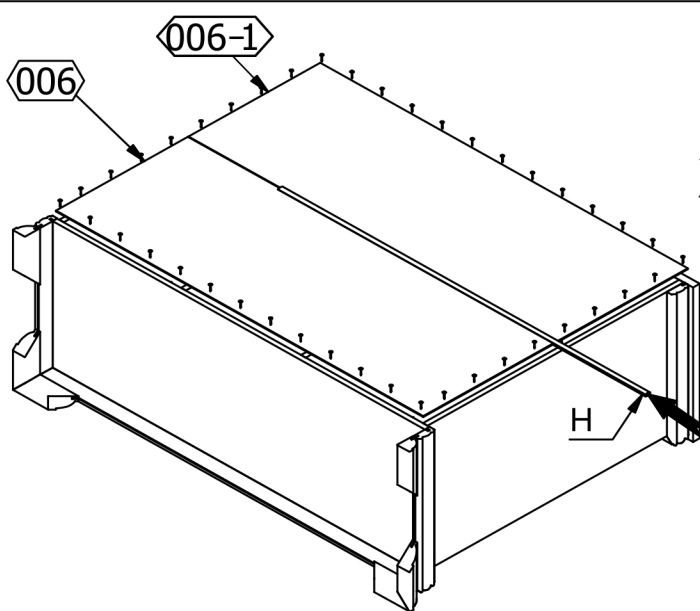
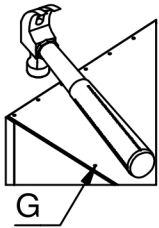
2



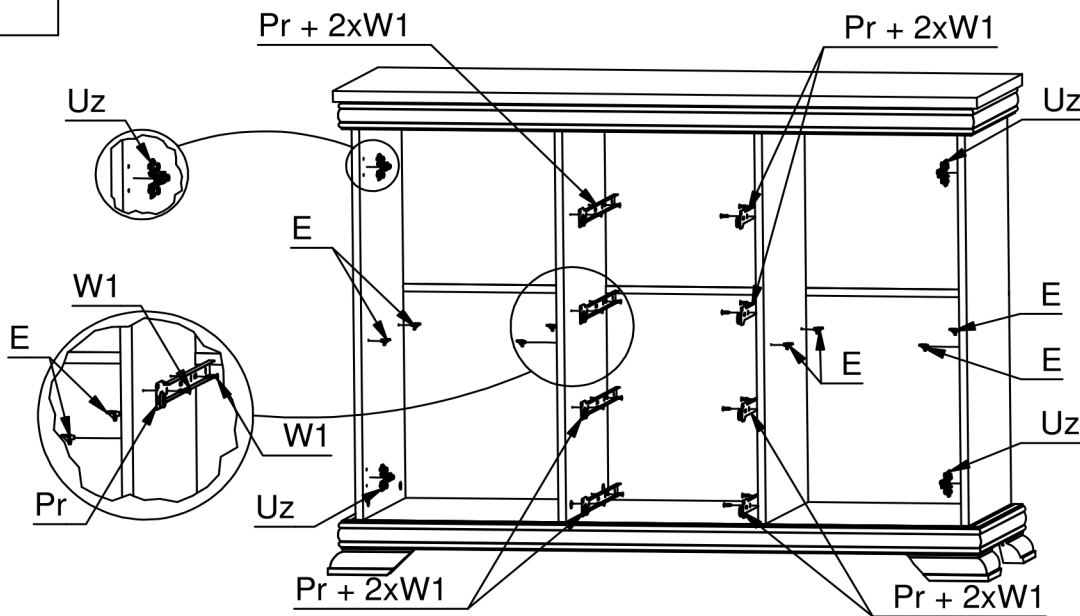
3



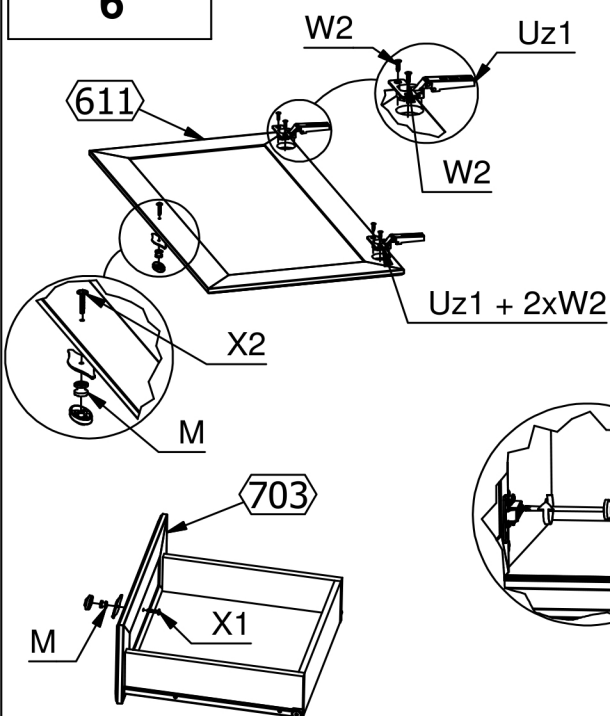
4



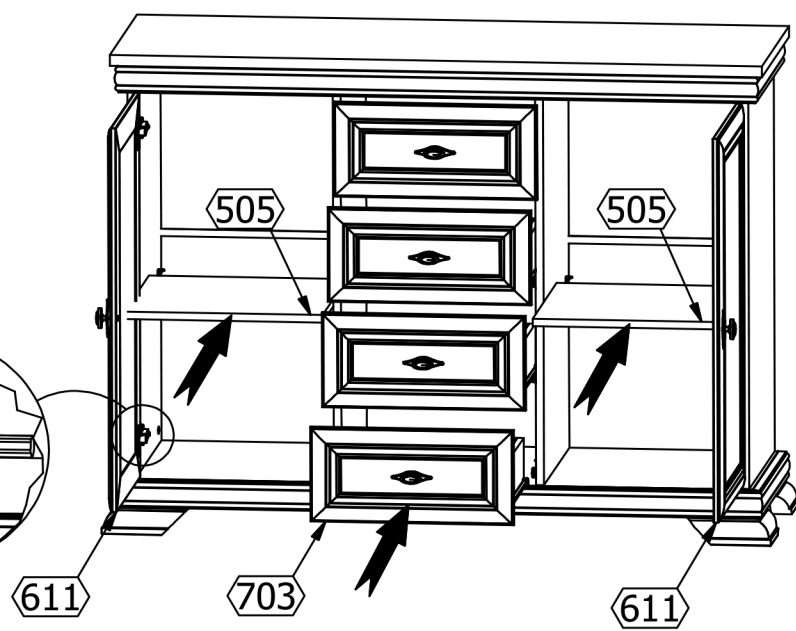
5



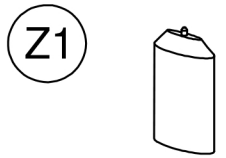
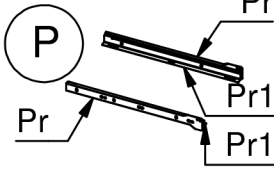
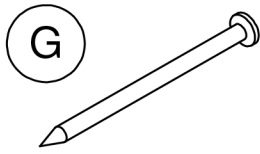
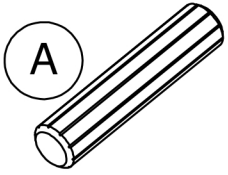
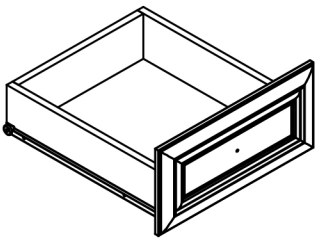
6



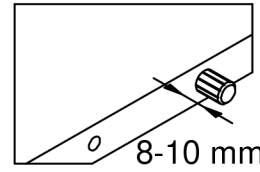
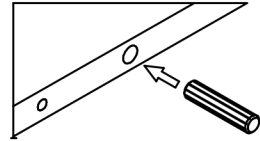
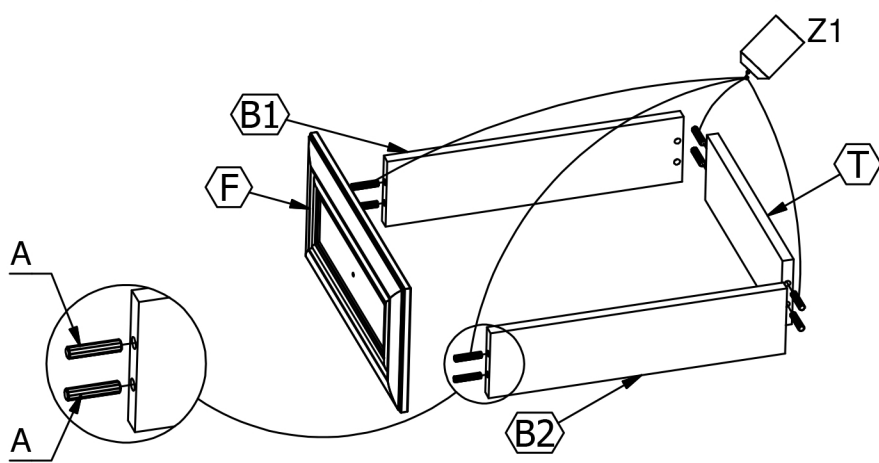
7



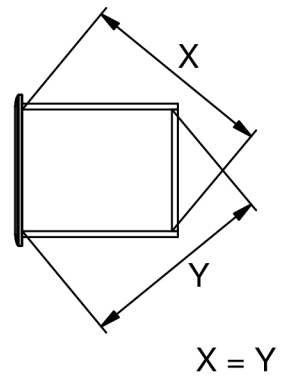
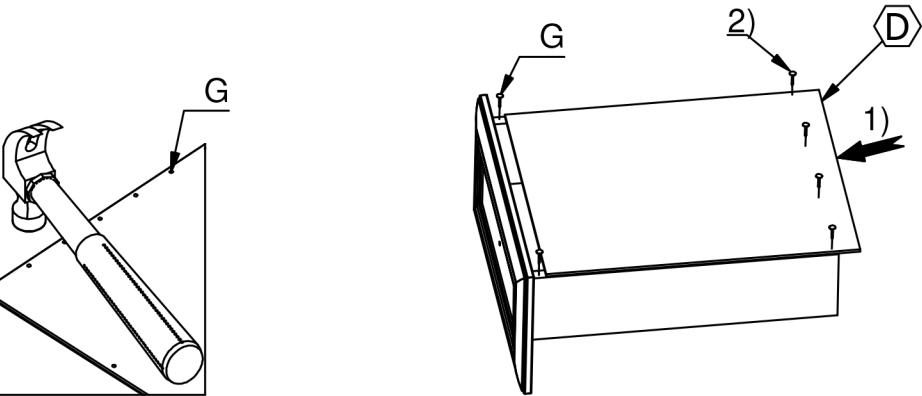
4



**I**



**II**



**III**

