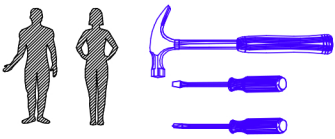
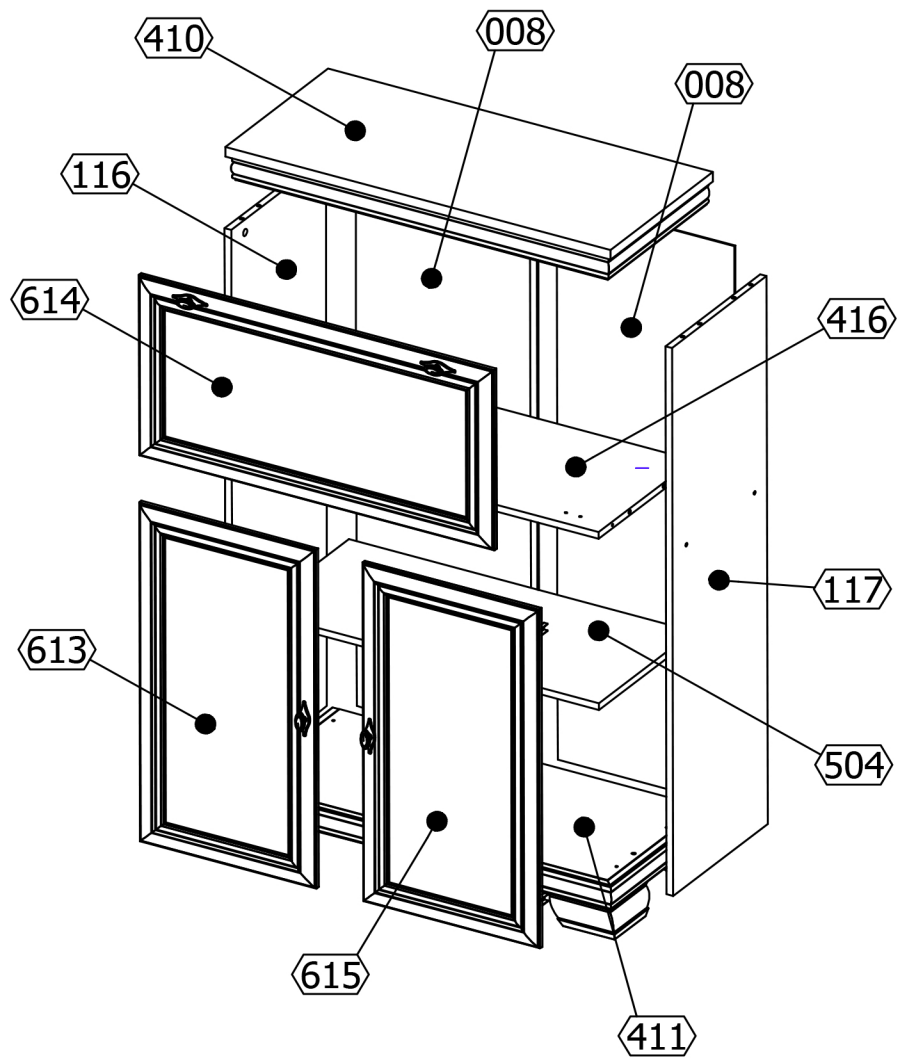
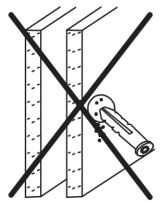
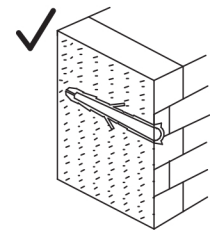
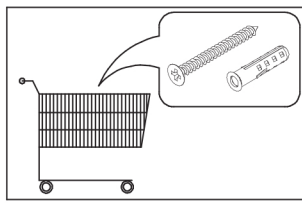
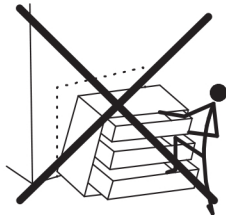
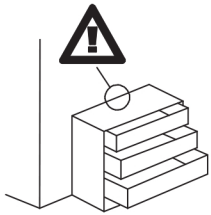


Kora KK5

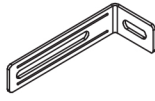


1	410	1	3
2	411	1	3
3	416	1	1
4	116	1	1
5	117	1	1
6	008	2	1
7	504	1	1
8	613	1	2
9	614	1	2
10	615	1	2



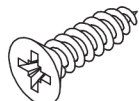
A

T4 x1

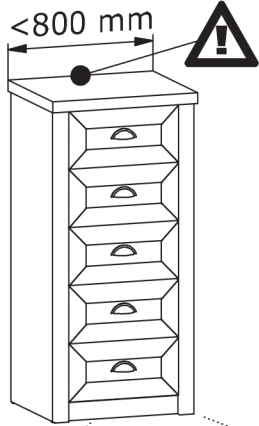


75x28x16 mm

W2 x2

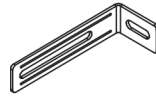


Ø3,5x16mm



B

T4 x2

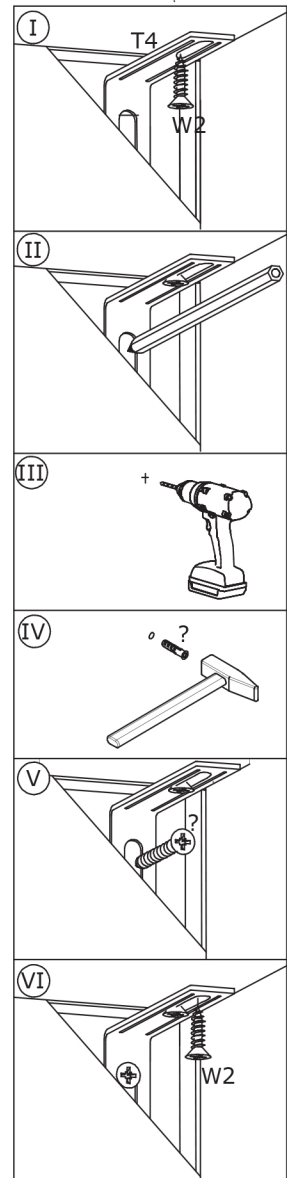
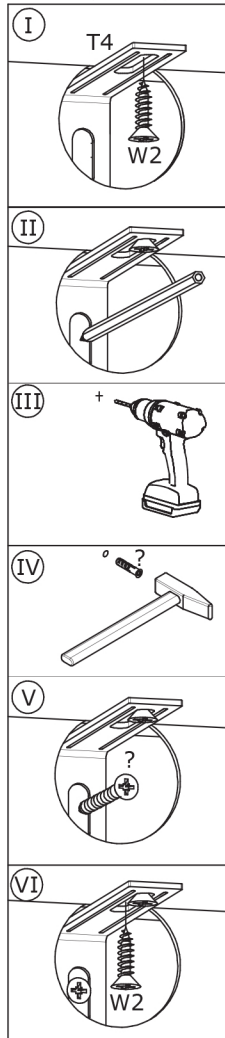
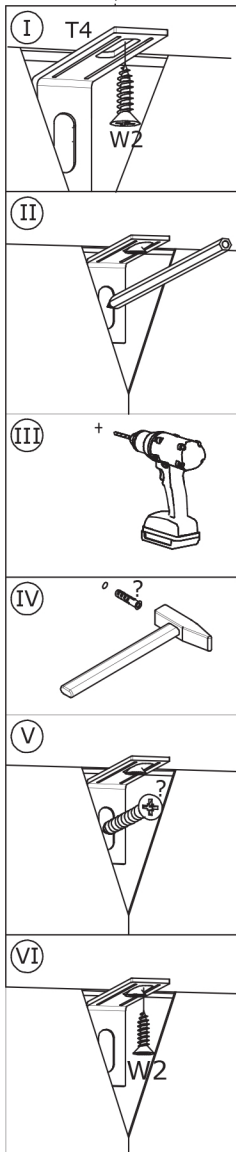
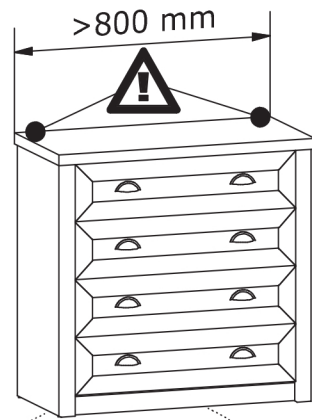


75x28x16 mm

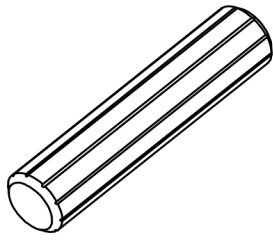
W2 x4



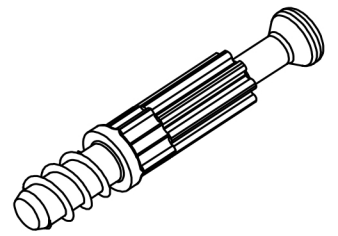
Ø3,5x16mm



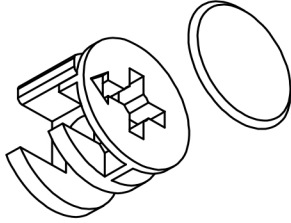
A x12
(8x36)



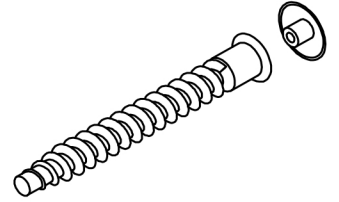
B x8



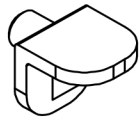
C x8
(Ø15x12)



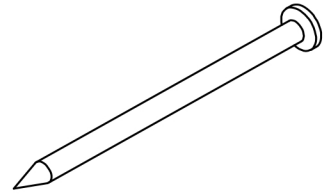
D x4



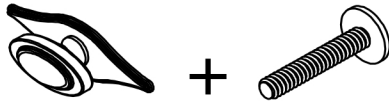
E x4



G x80

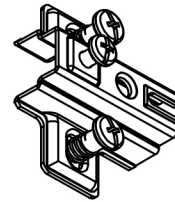


M x4

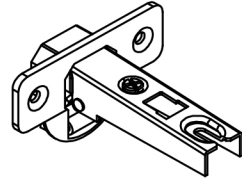


X2 (M4x37)

U x6

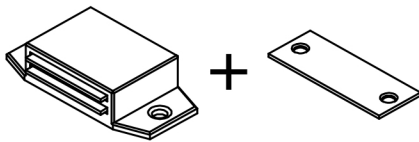


Uz



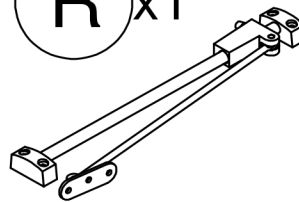
Uz1

O x1

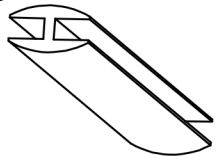


O1

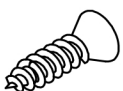
R x1



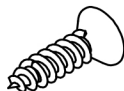
H x1



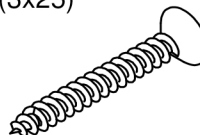
W1 x5
(3,5x13)



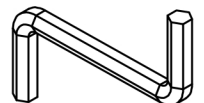
W2 x12
(3,5x16)

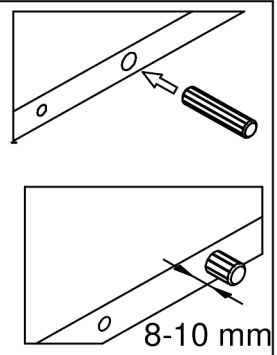
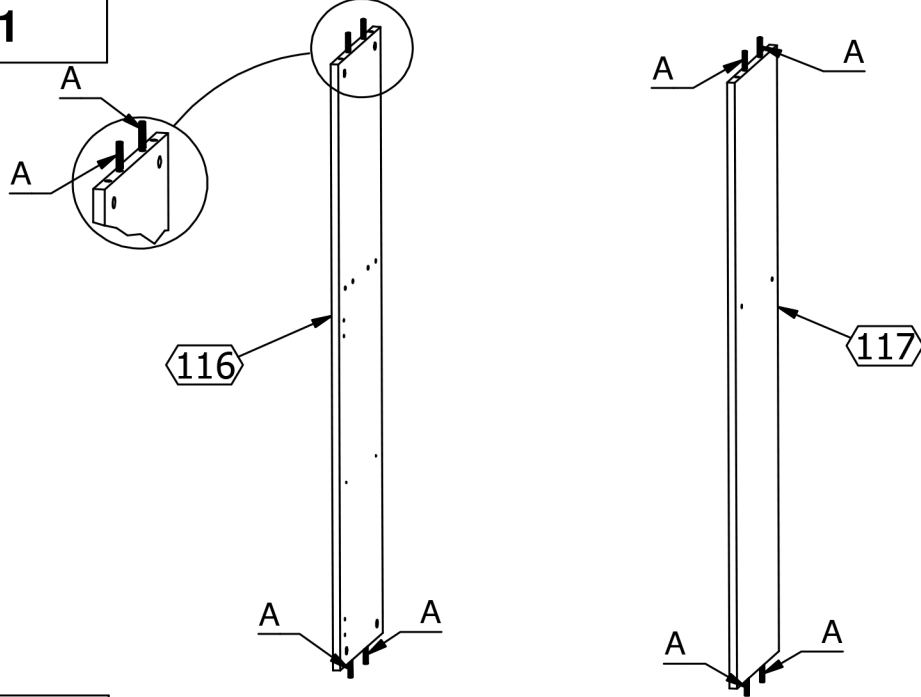
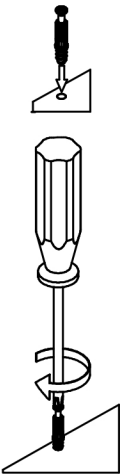
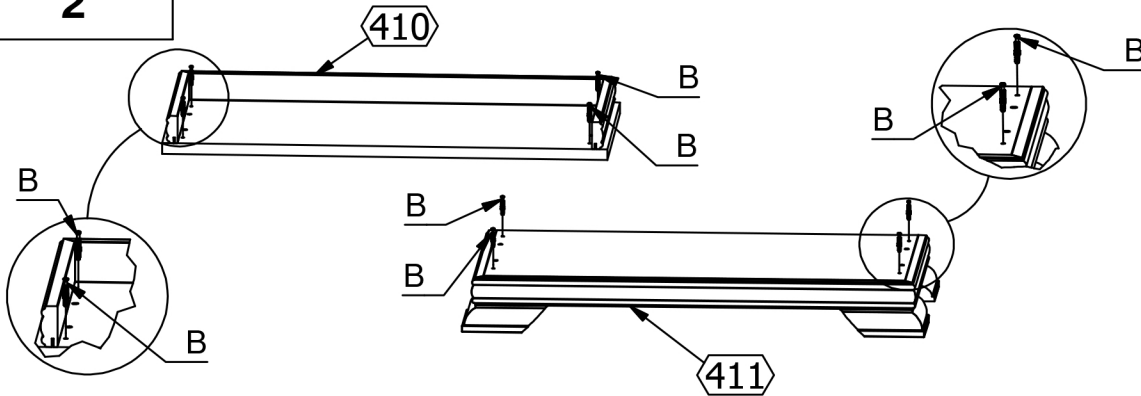
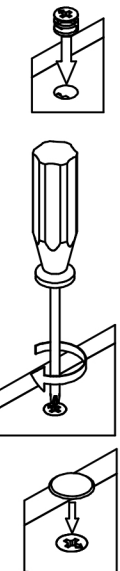
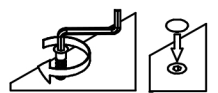
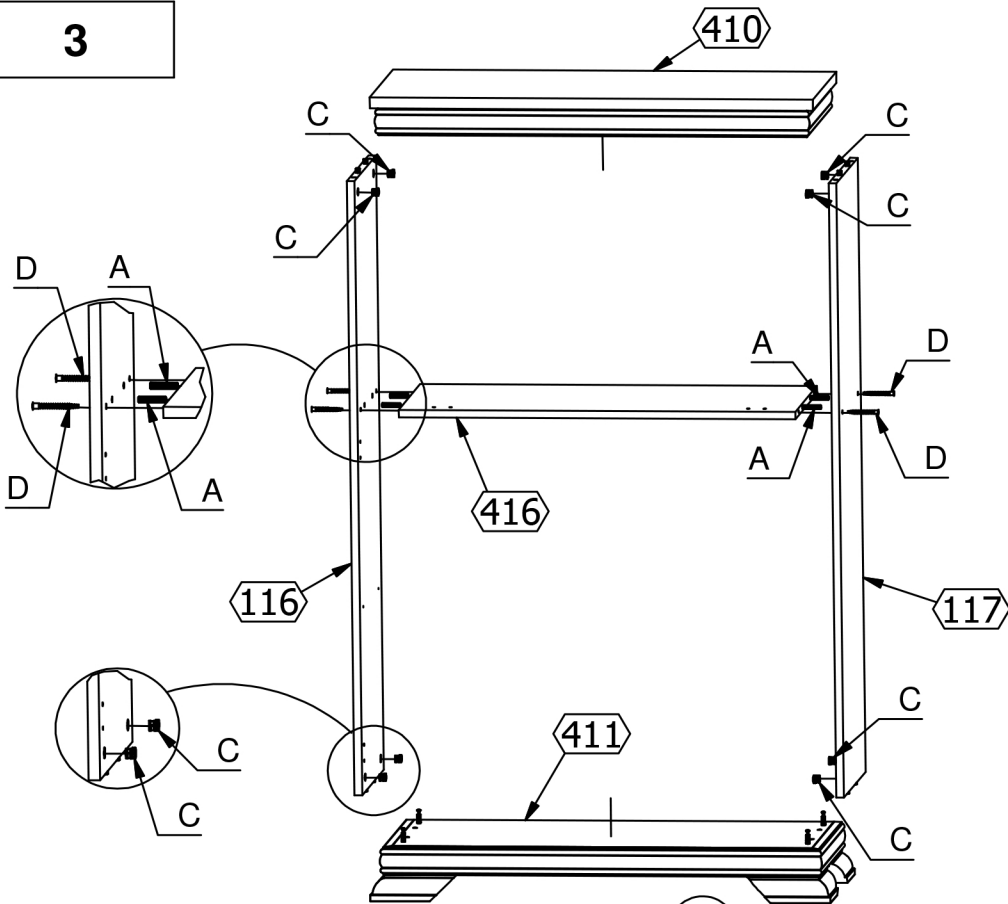


W3 x4
(3x25)



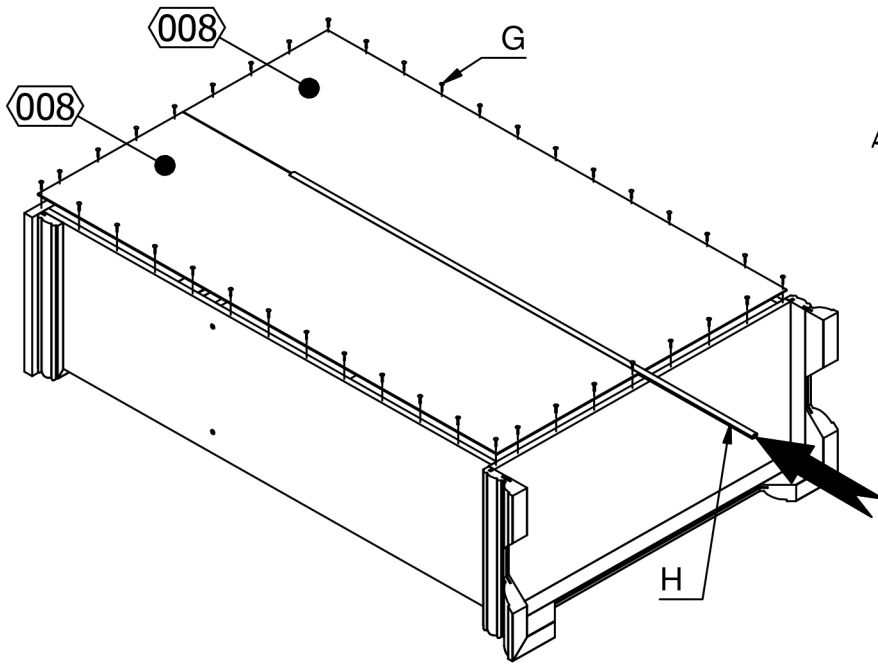
Z x1



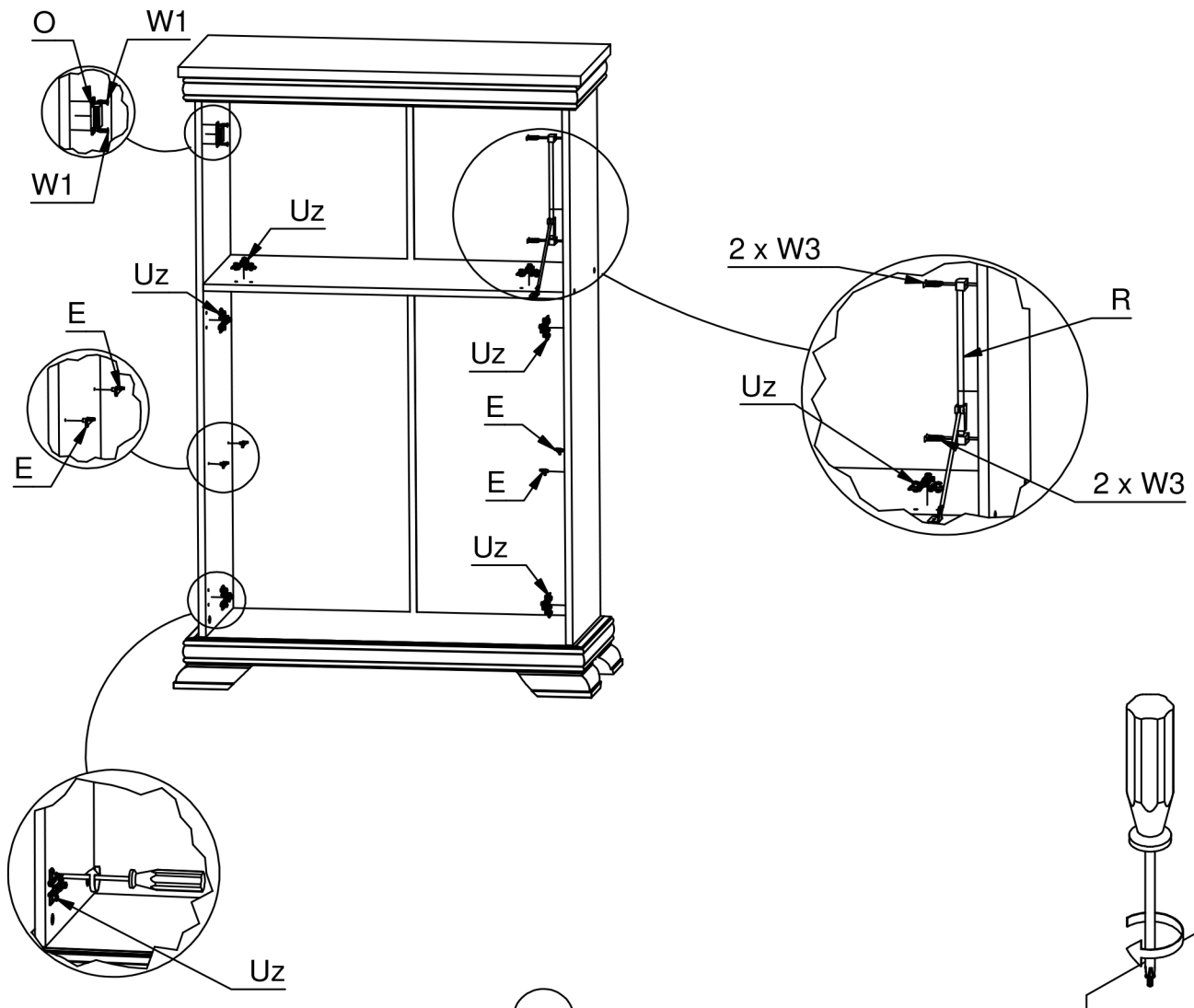
1**2****3**

3

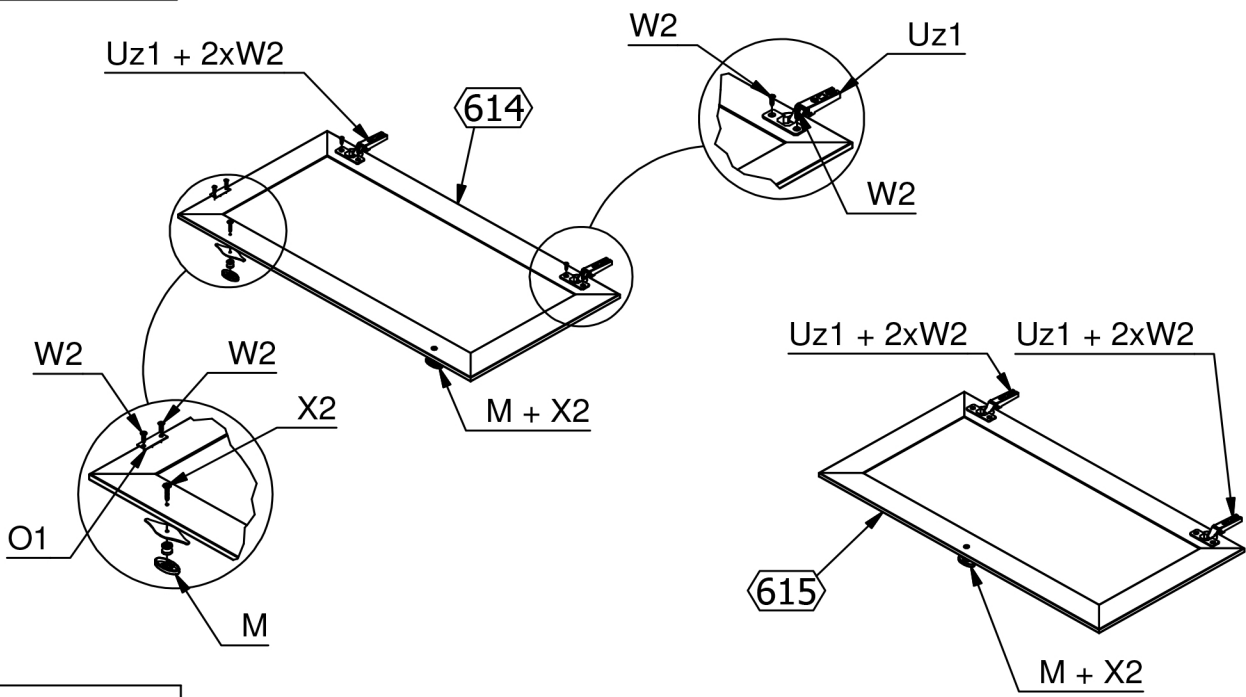
4



5



6



7

