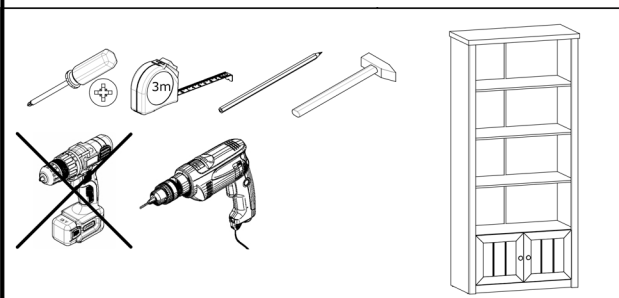
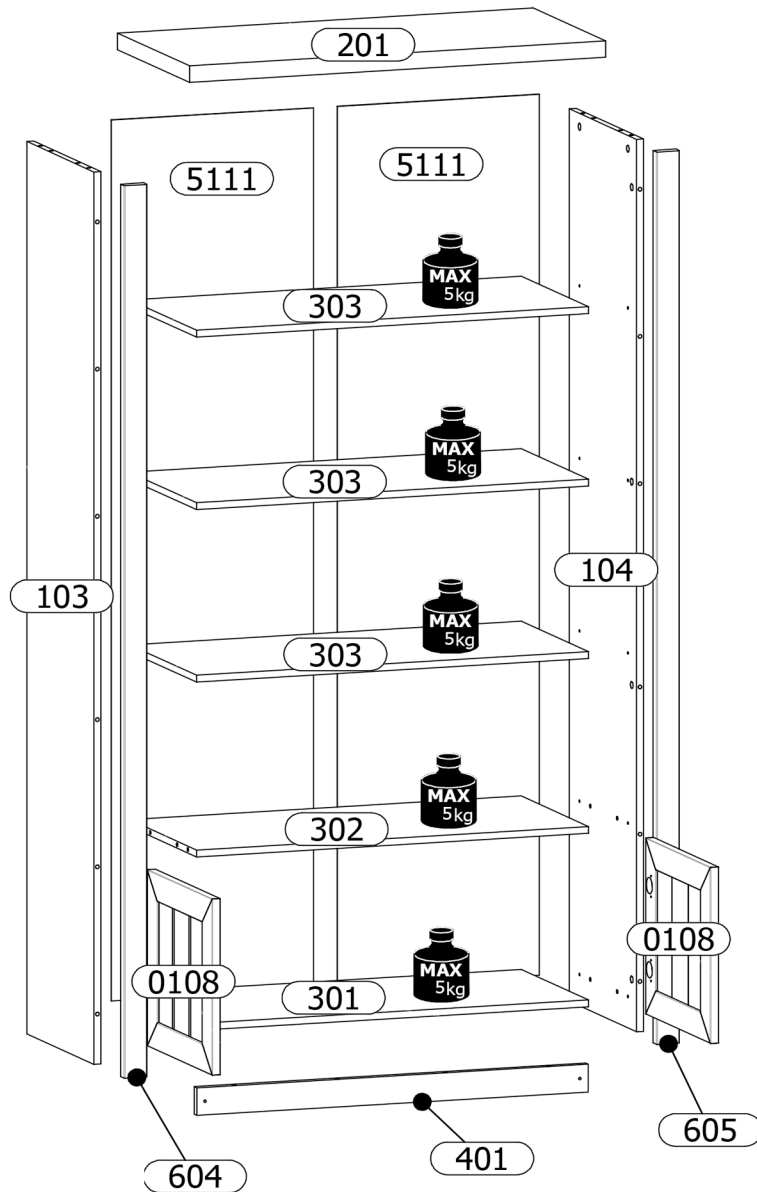
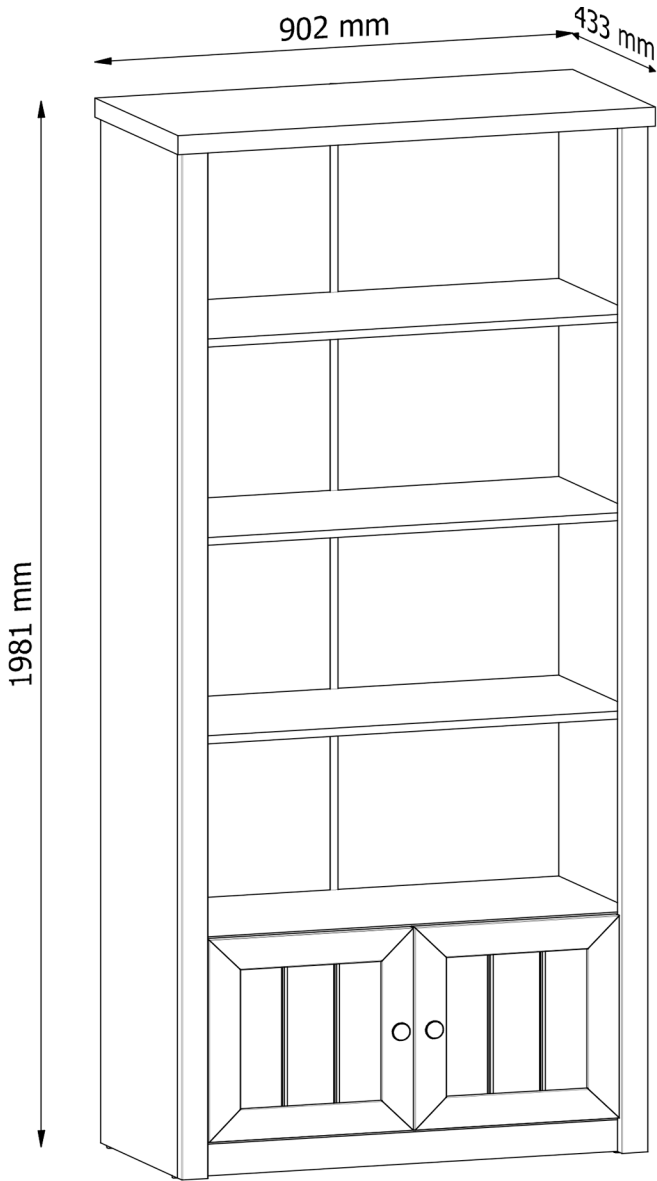
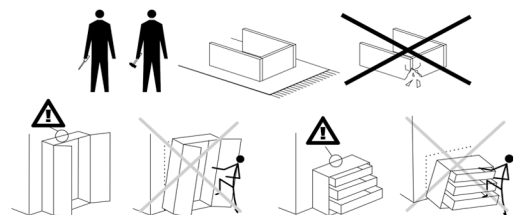


R1 SA

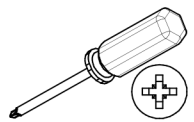
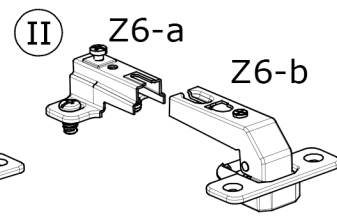
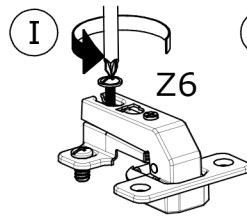
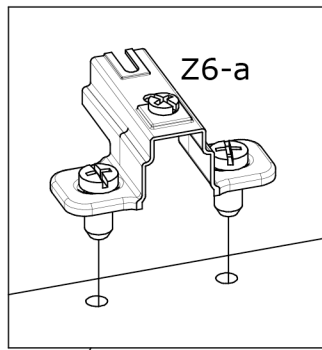


A1 x20 Ø8x35mm	B1 x20 Ø5x38mm	C1 x20 Ø15x12mm	E1 x12 Ø5x16mm	G1 x44 26mm
H x1 1915mm	J1 x16 Ø21mm	T4 x2 75x28x16 mm	U1 x2 Ø33mm	W2 x12 Ø3,5x16mm
W5 x2 Ø4x30mm	X4 x2 M4x25mm	Y1 x4 Ø8x1,5mm	Y5 x7 Ø15x20mm	Z6 x4 Ø35mm, 90°

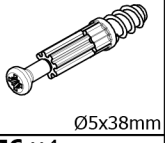
No	L[mm]	W[mm]	H[mm]	PCS	BOX
0108	386	383	18	2	1/3
103	1940	400	15	1	2/3
104	1940	400	15	1	2/3
201	902	430	36	1	1/3
301	850	400	15	1	2/3
302	850	400	15	1	2/3
303	850	400	15	3	1/3
401	849	60	15	1	1/3
5111	1915	438	2,5	2	2/3
604	1940	50	22	1	2/3
605	1940	50	22	1	2/3



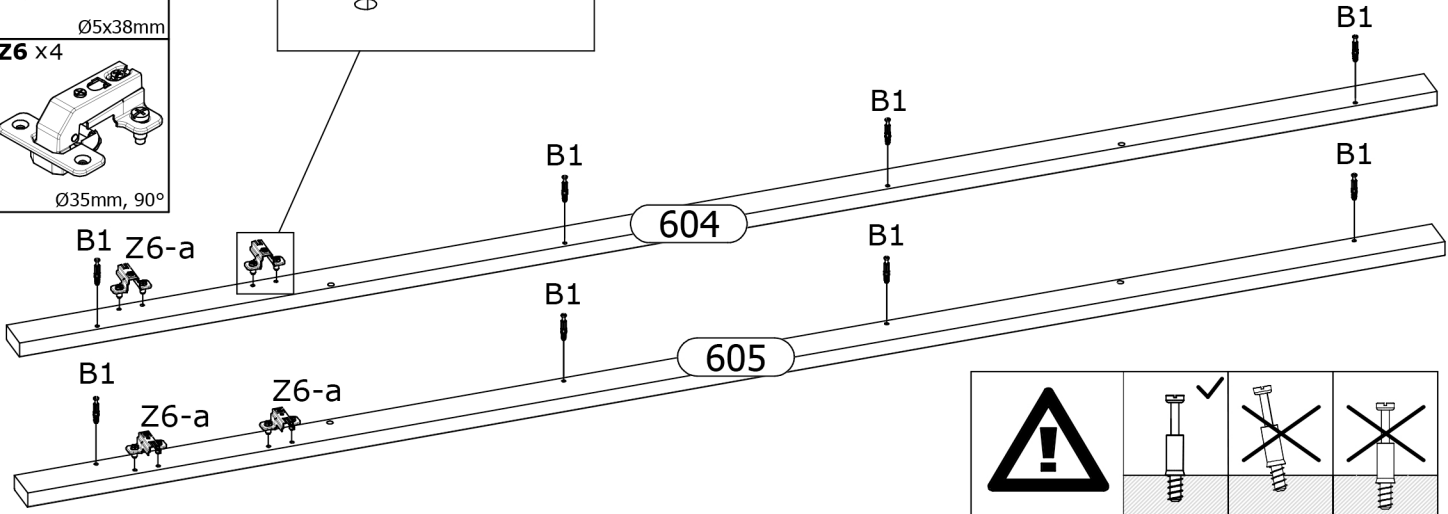
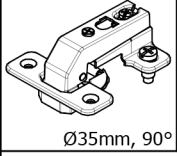
1



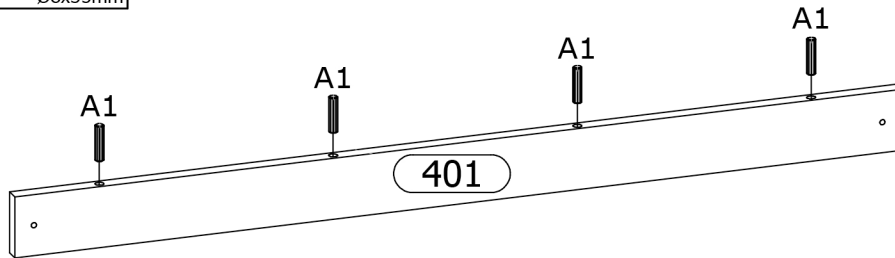
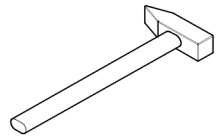
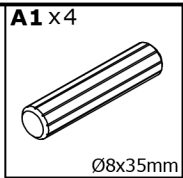
B1 x 8



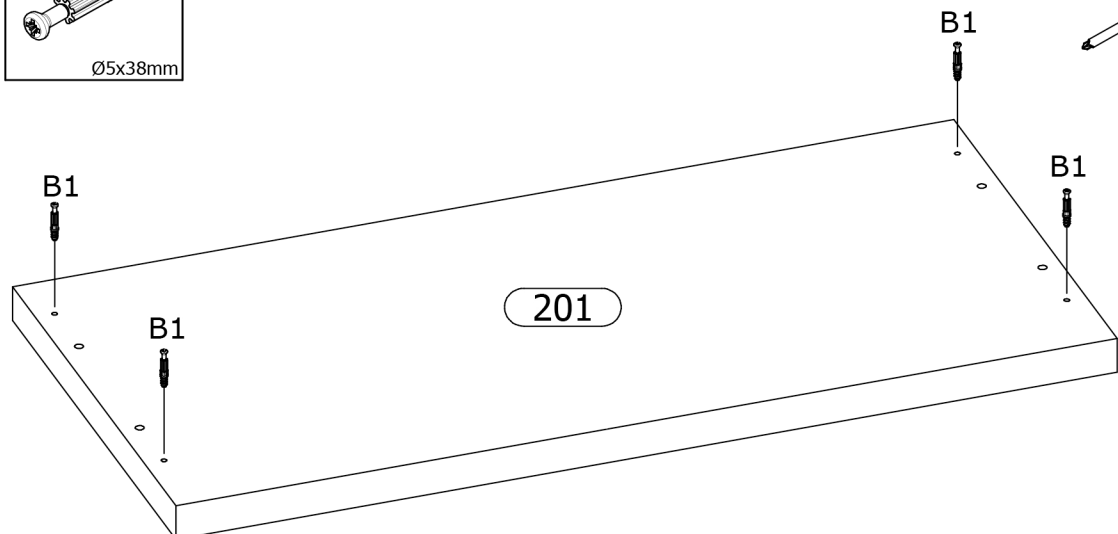
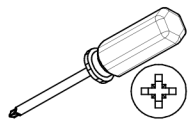
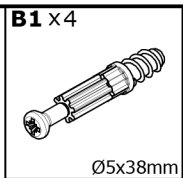
Z6 x 4



2

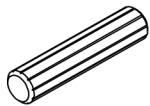


3



4

A1 x 8

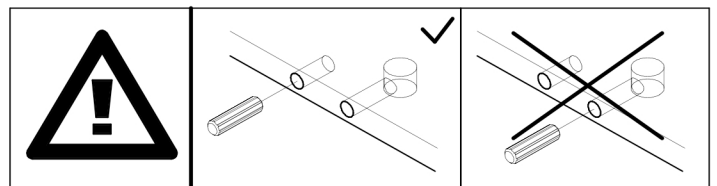
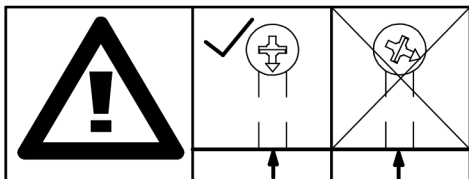
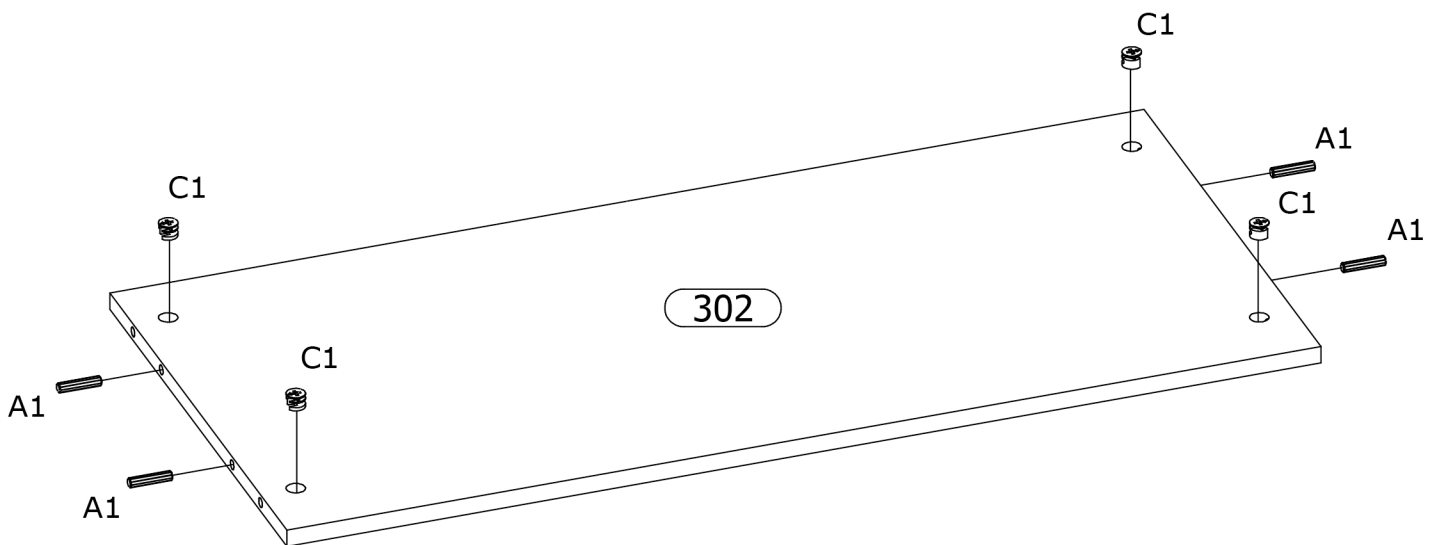
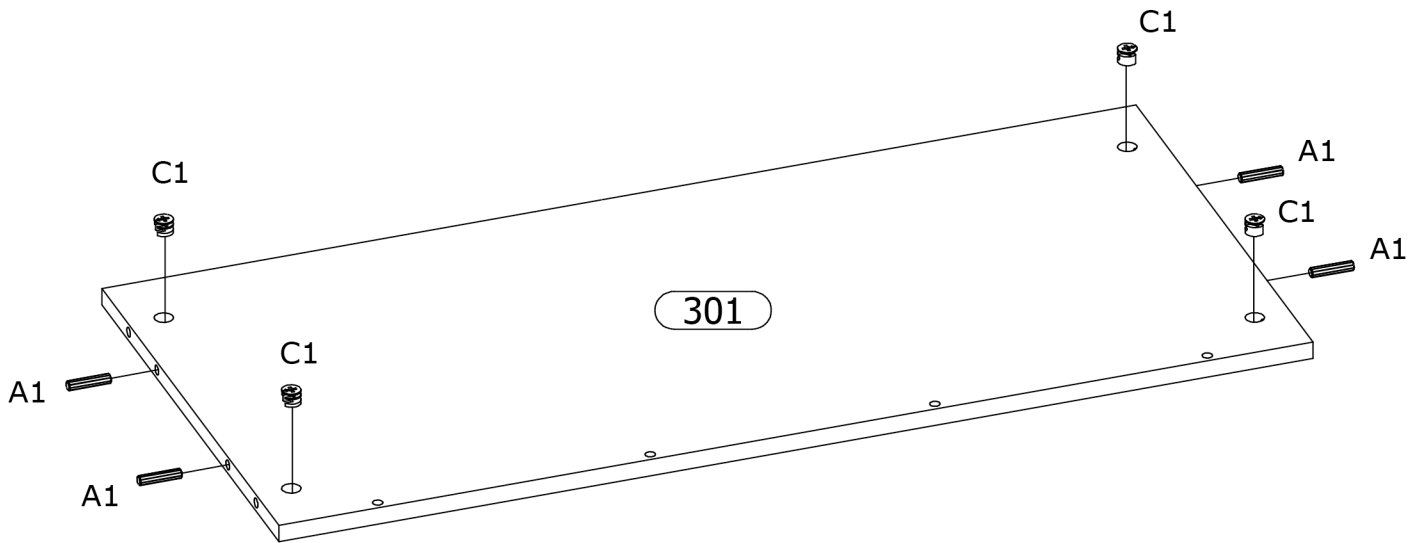
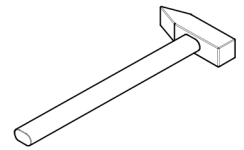


Ø8x35mm

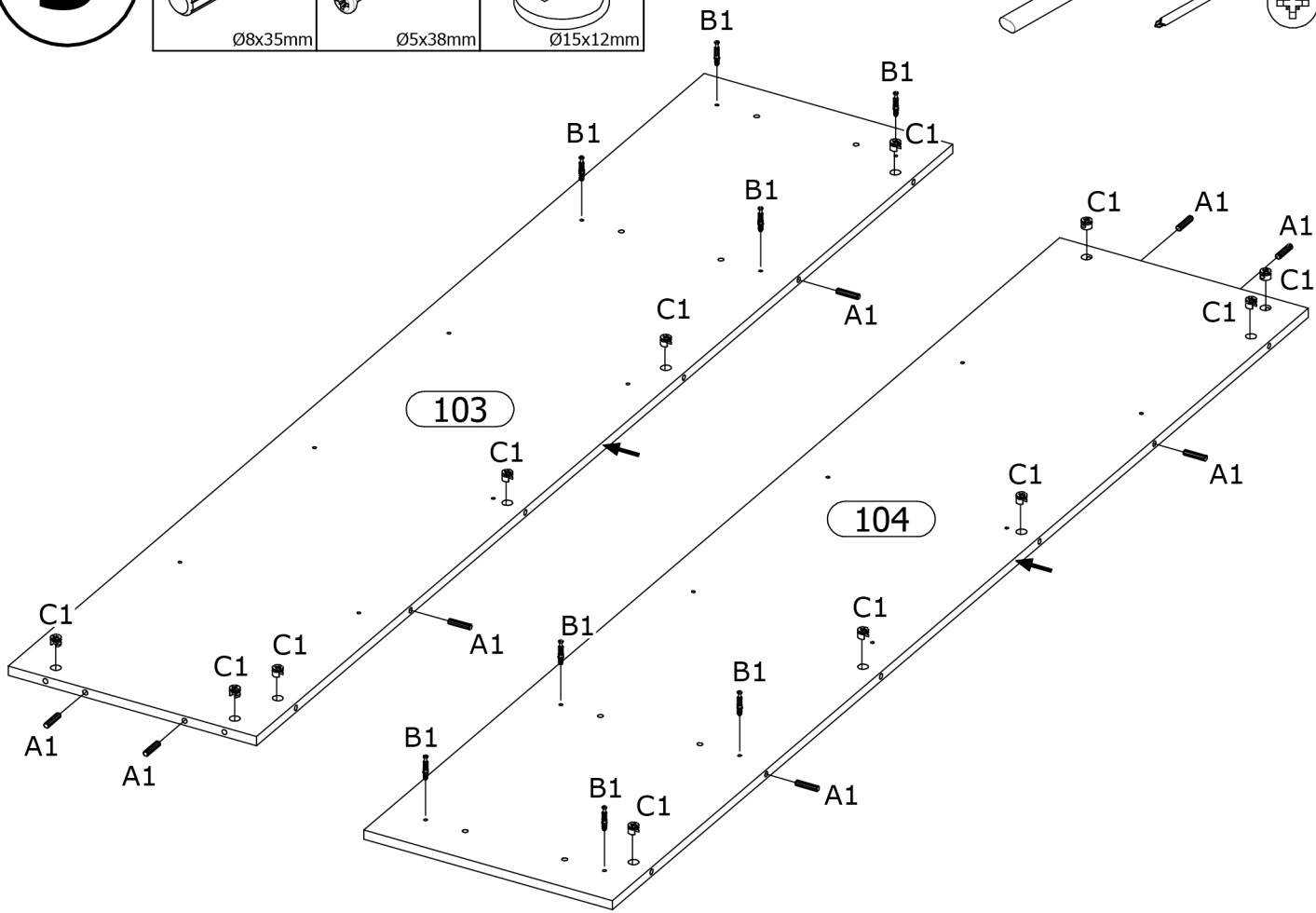
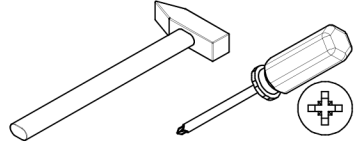
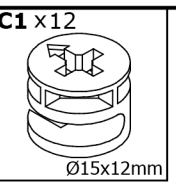
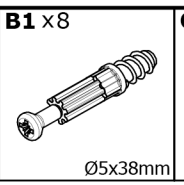
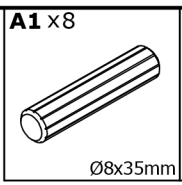
C1 x 8



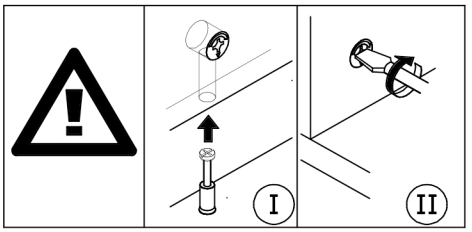
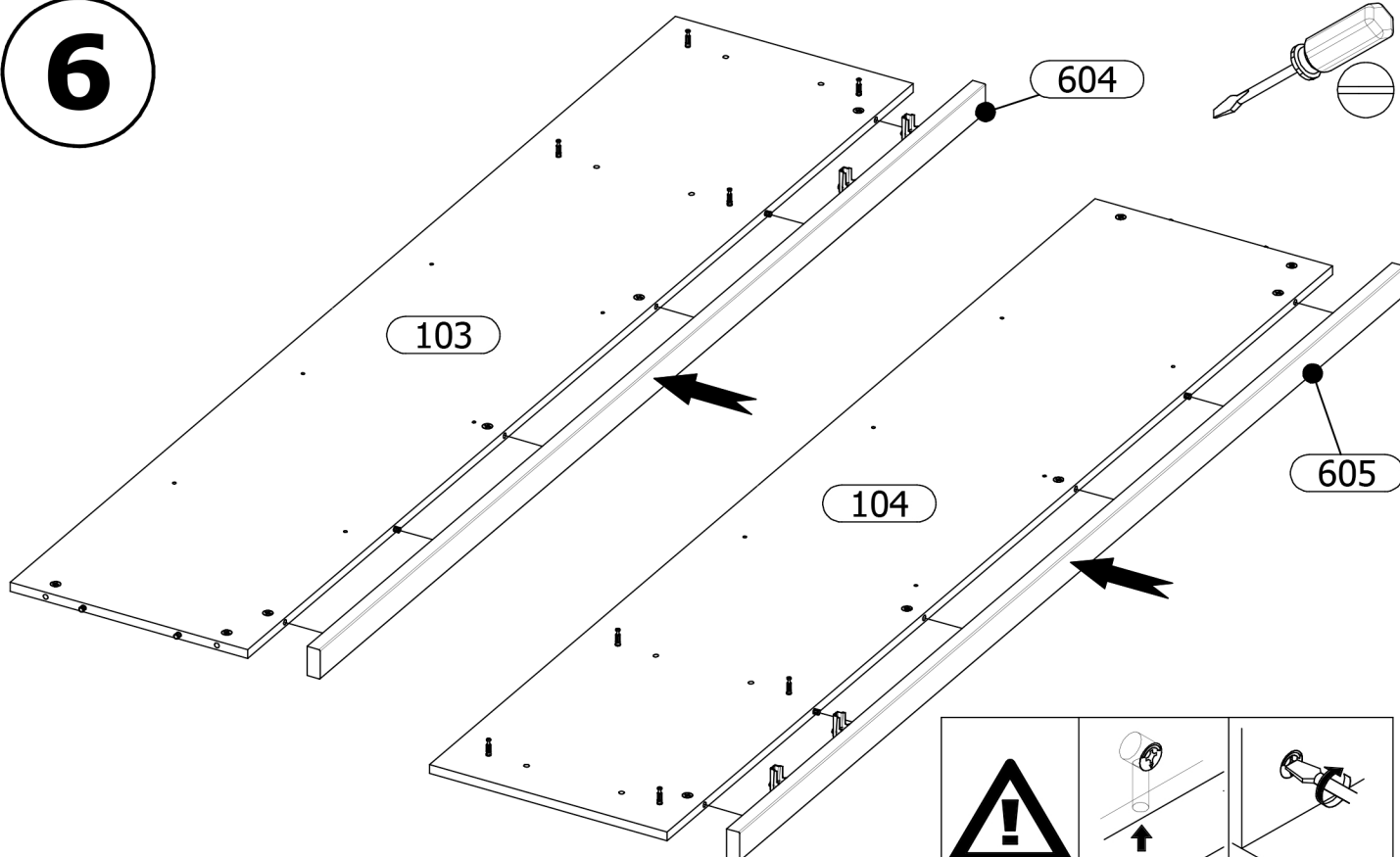
Ø15x12mm



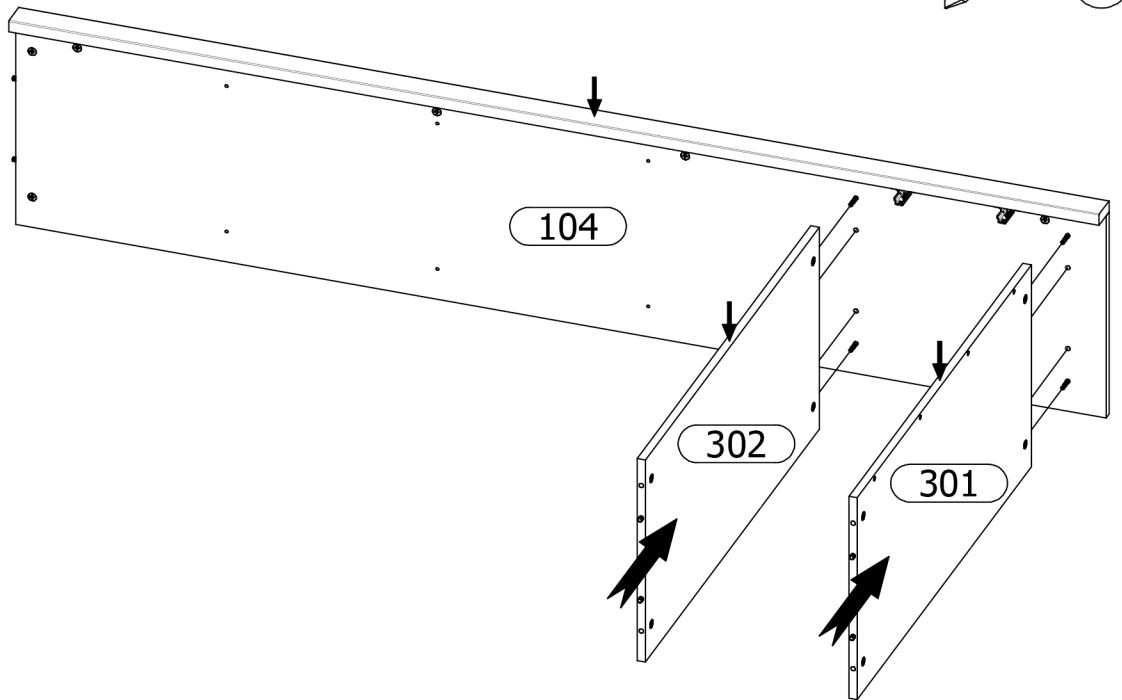
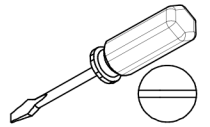
5



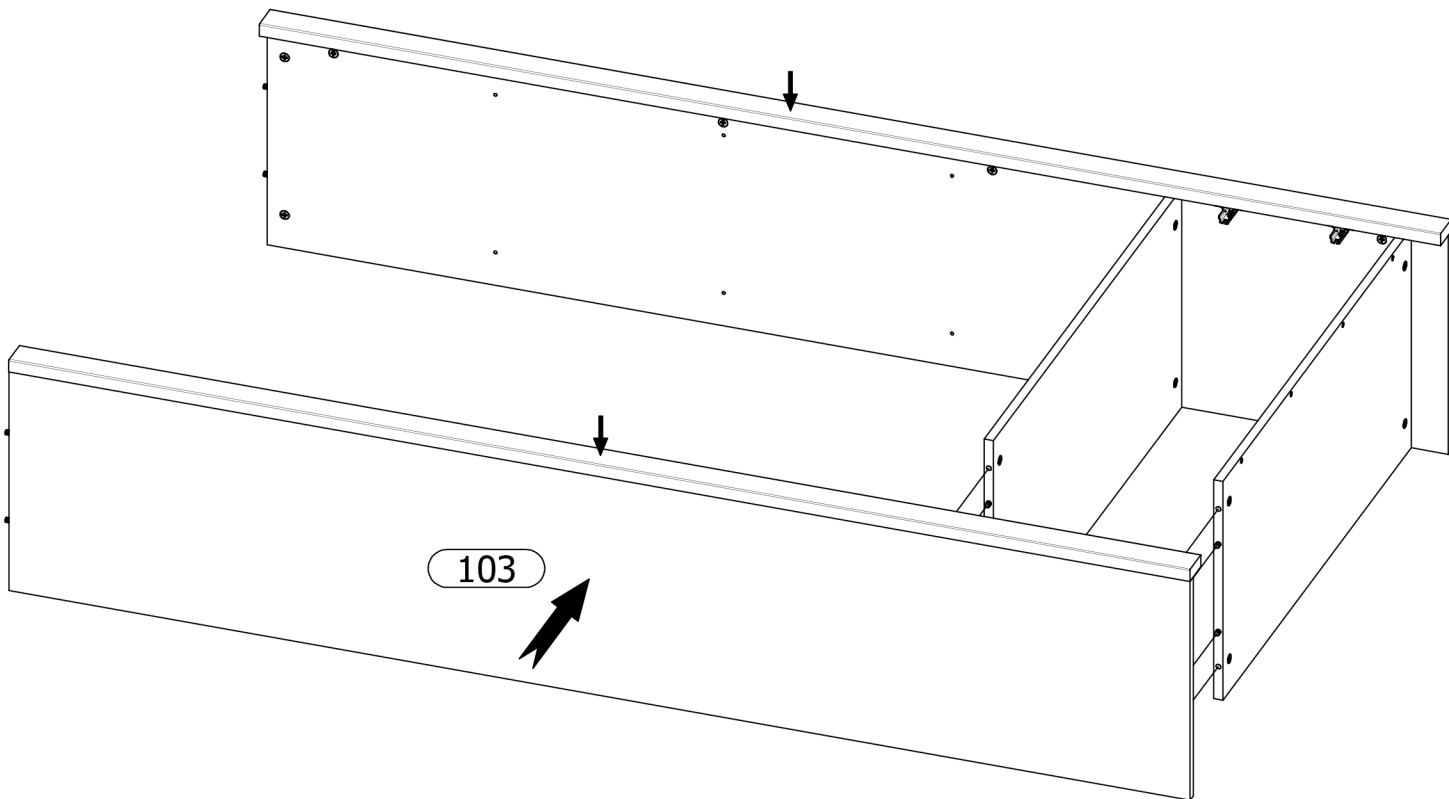
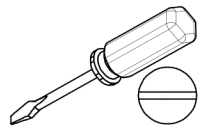
6



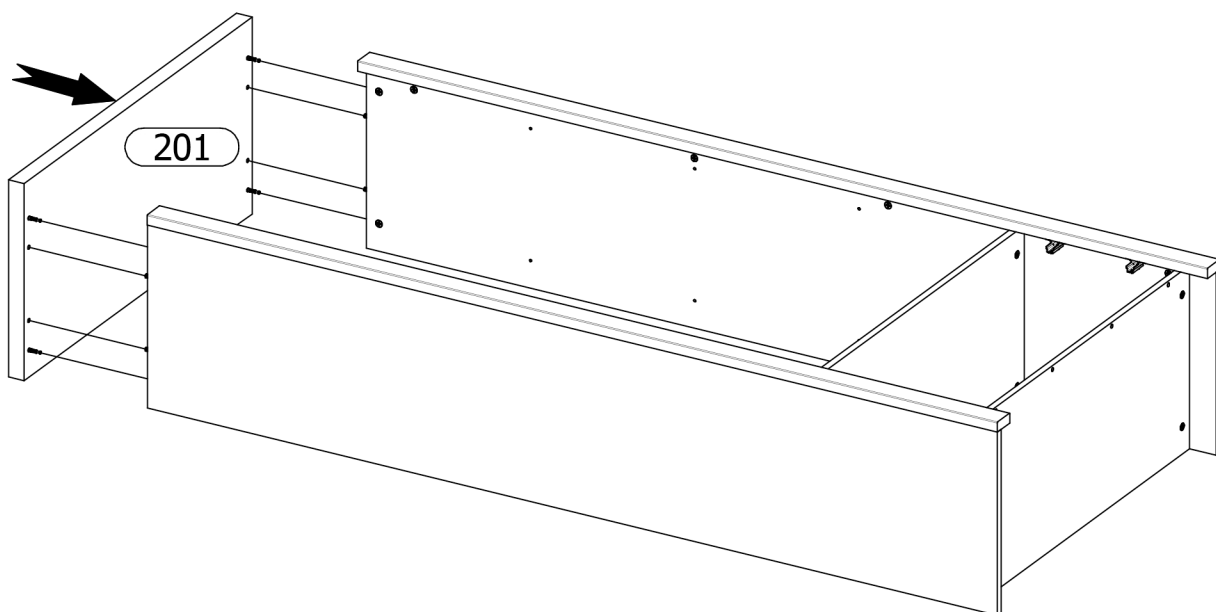
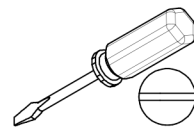
7



8

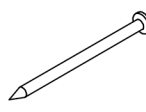


9



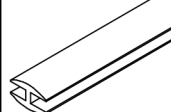
10

G1 x 38

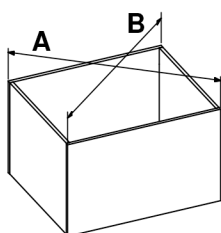
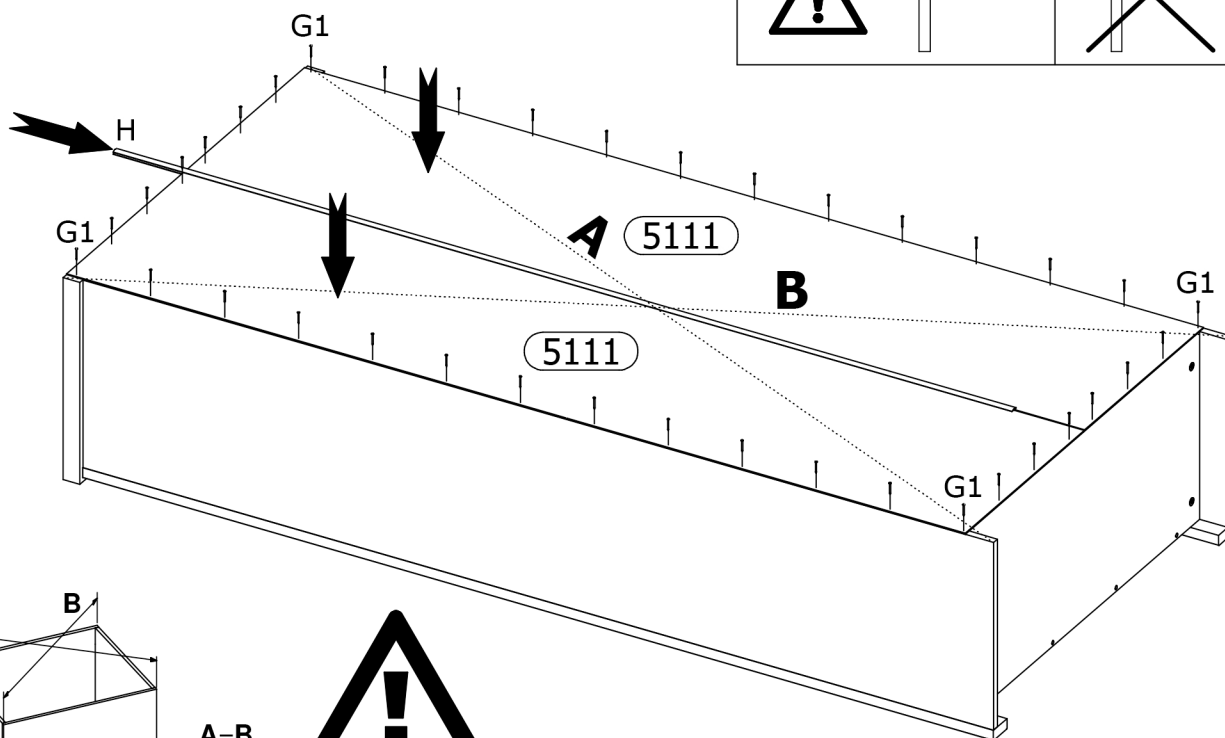
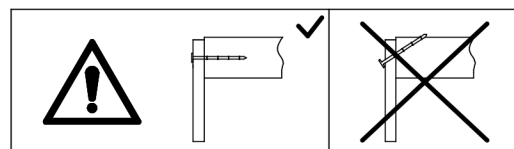
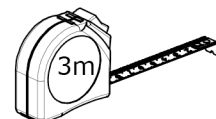
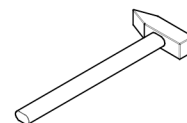


26mm

H x 1



1915mm

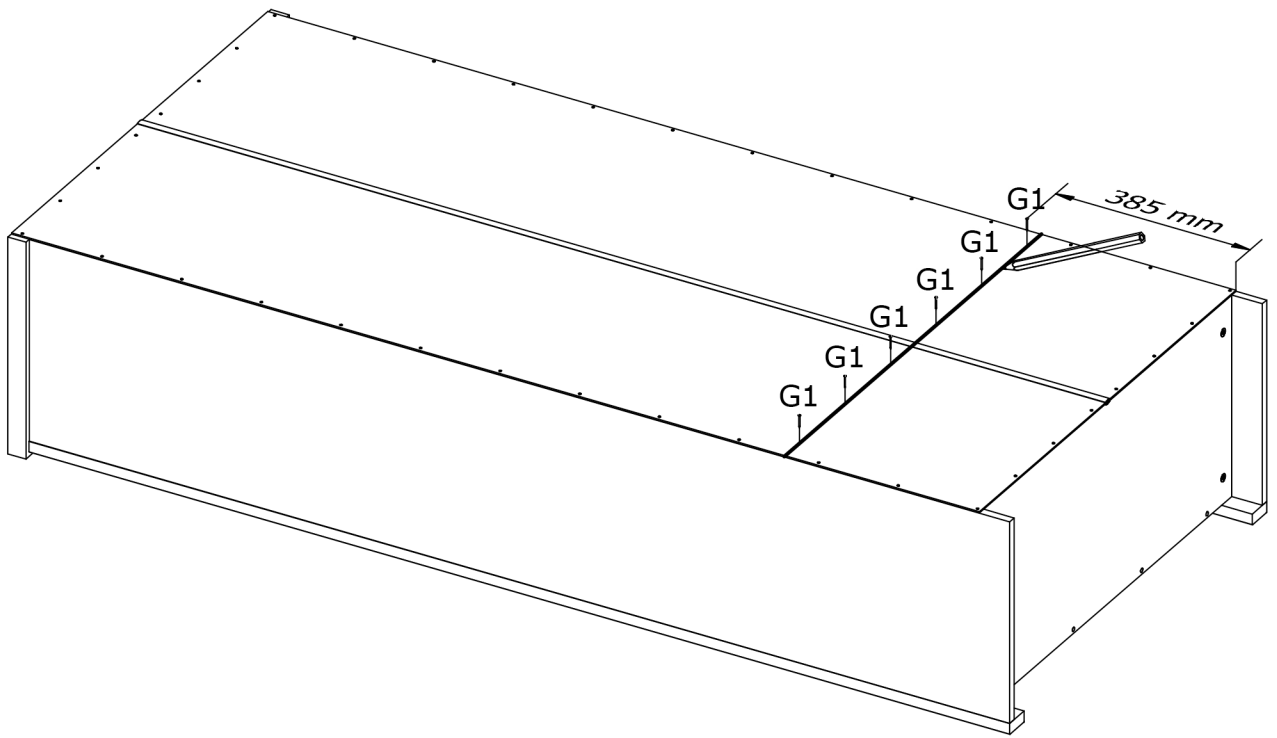
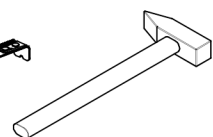
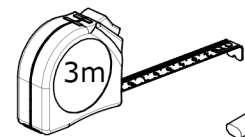
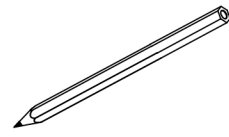
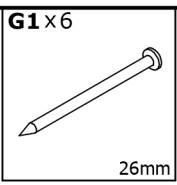


A=B

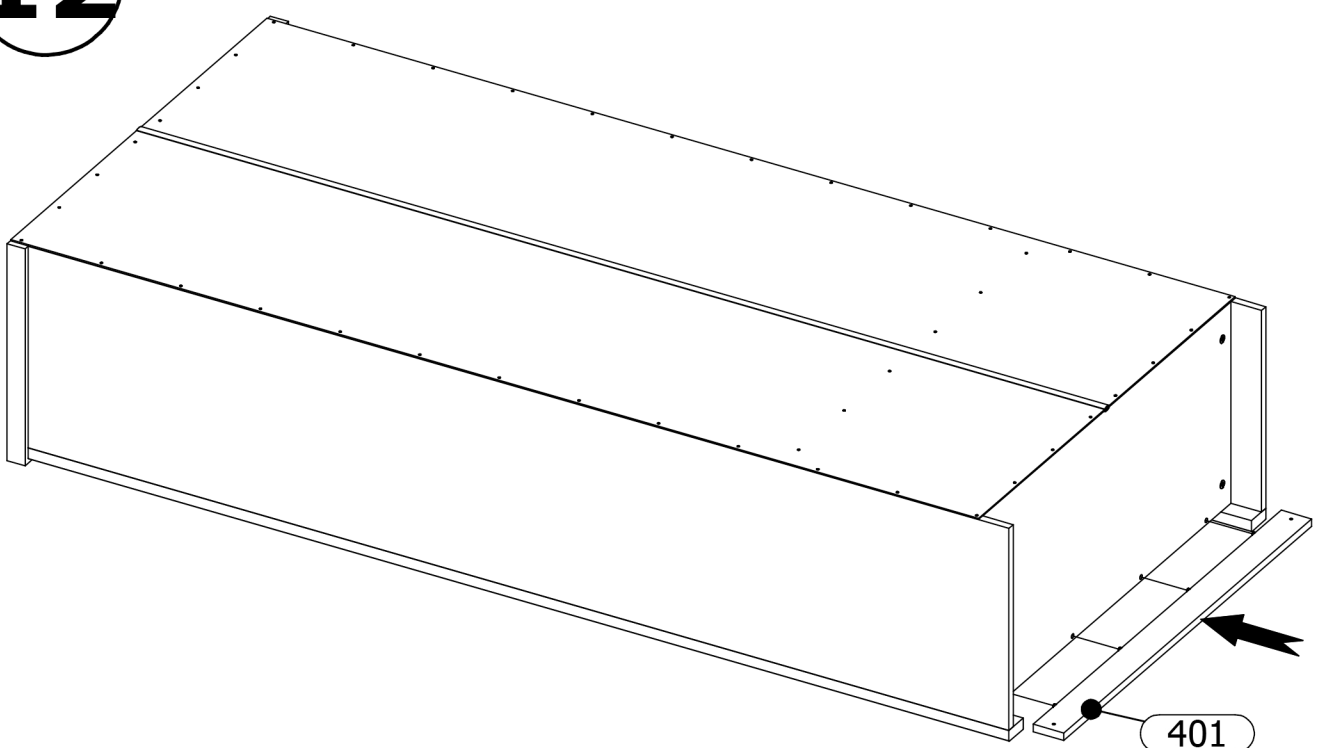


A=B ≡ 90°

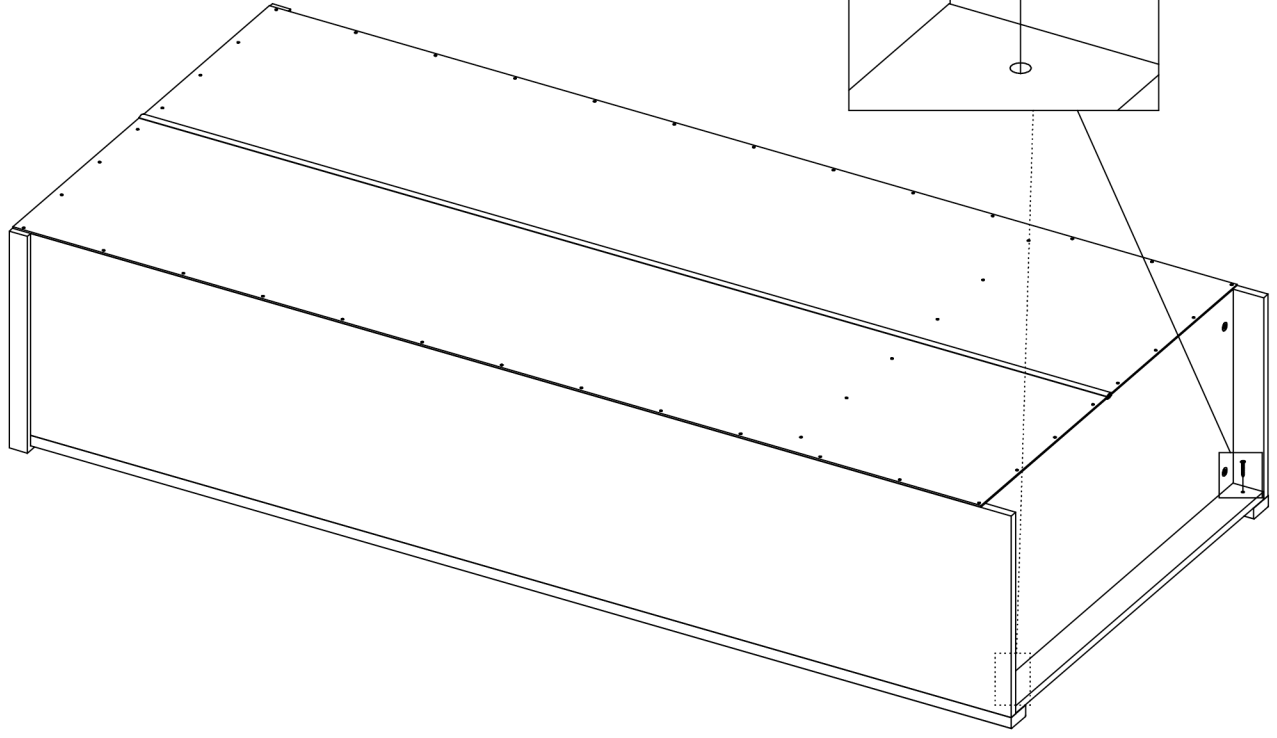
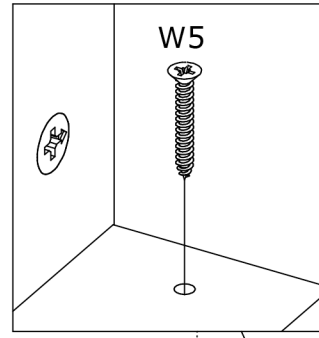
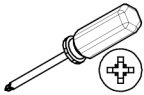
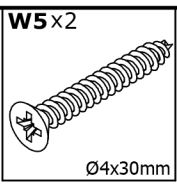
11



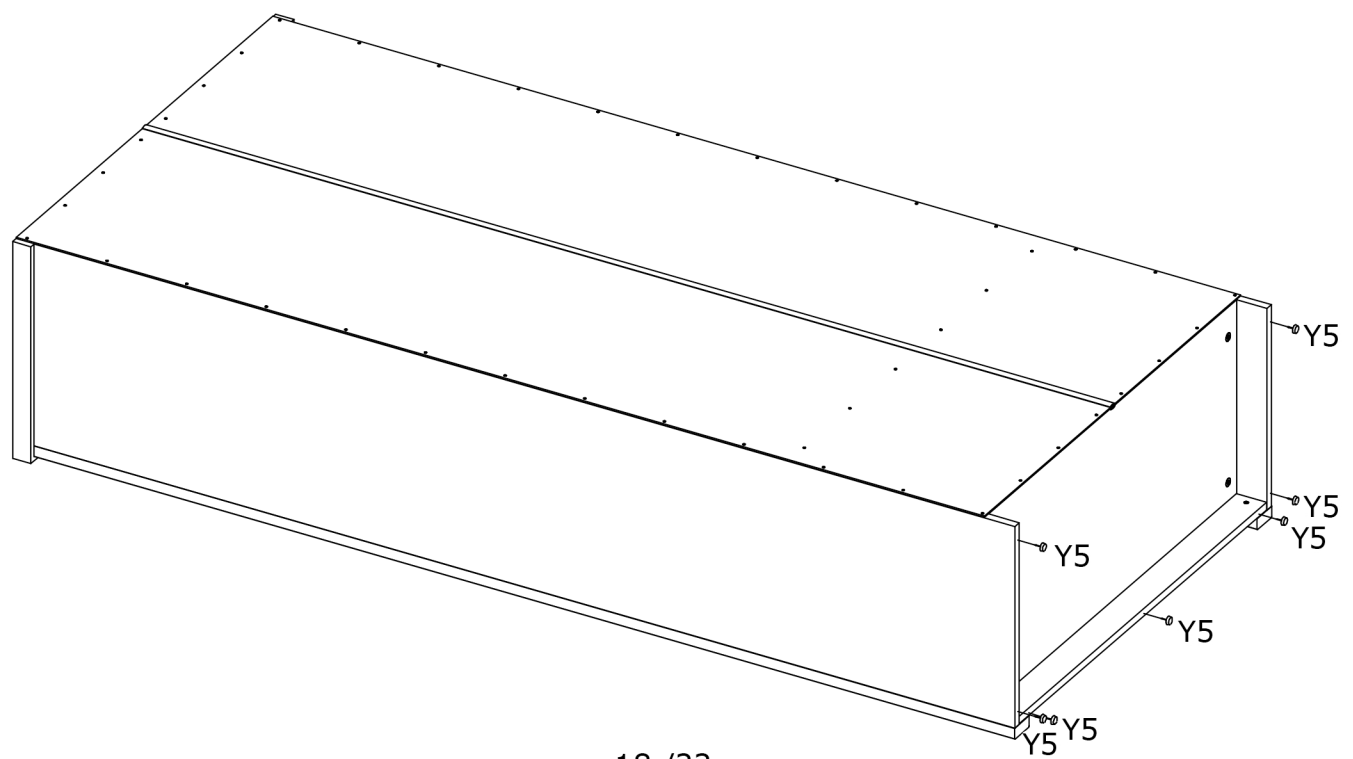
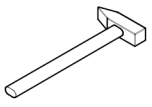
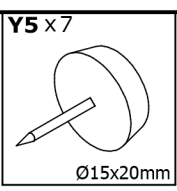
12



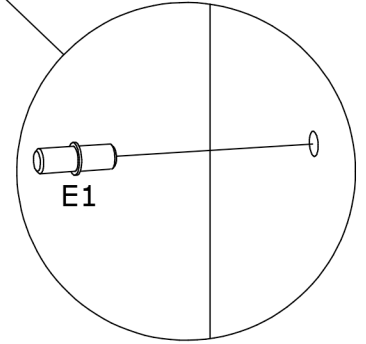
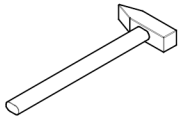
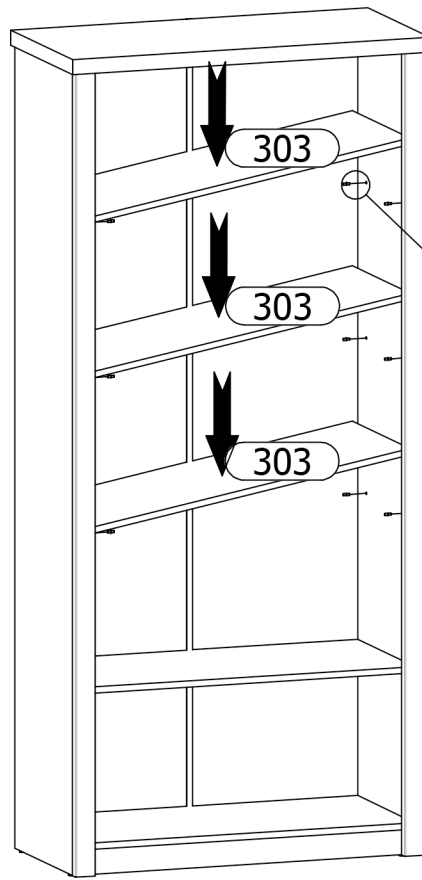
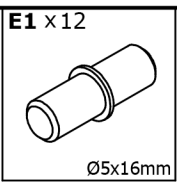
13



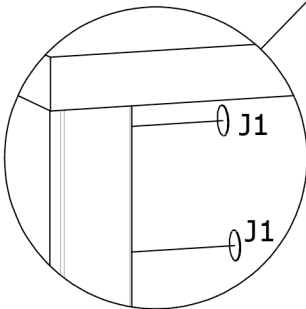
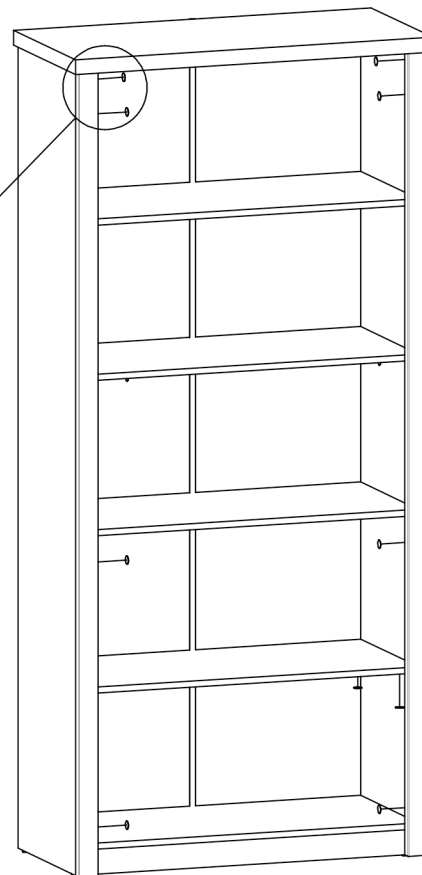
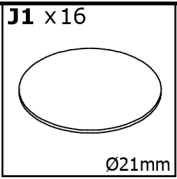
14



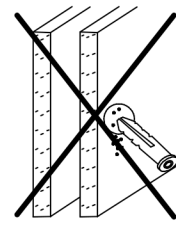
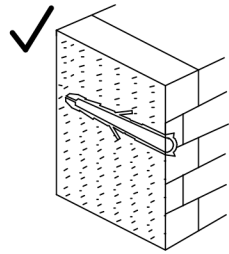
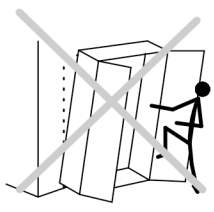
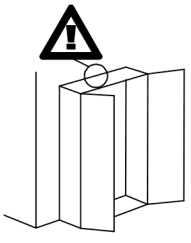
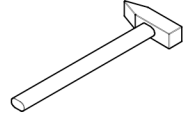
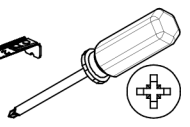
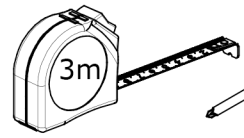
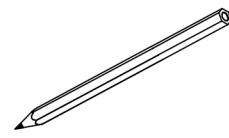
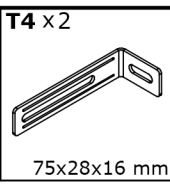
15



16

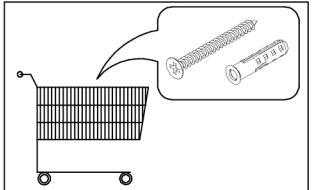
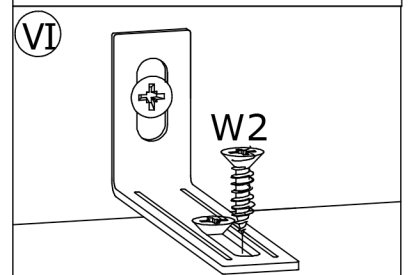
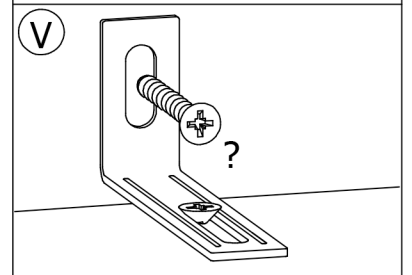
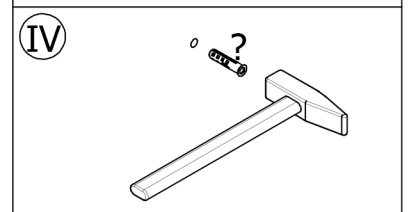
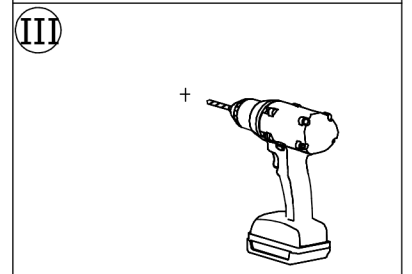
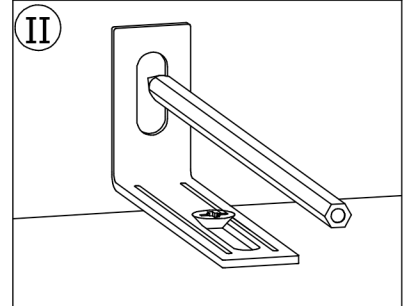
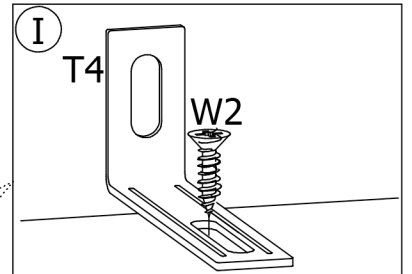
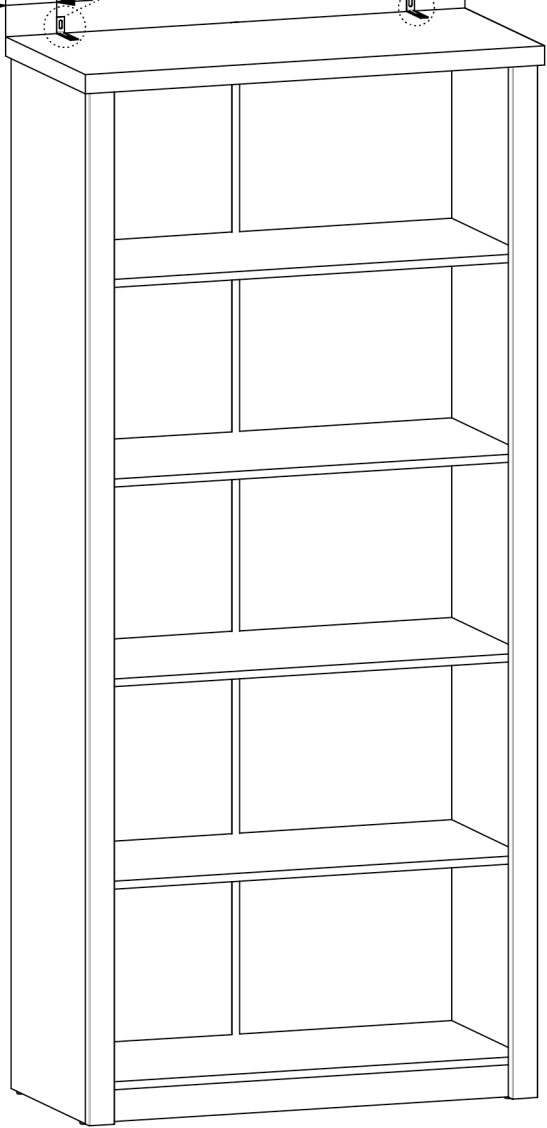


17

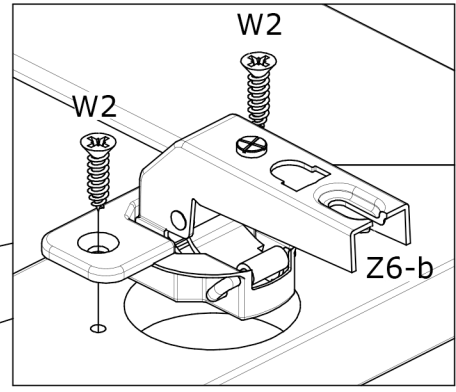
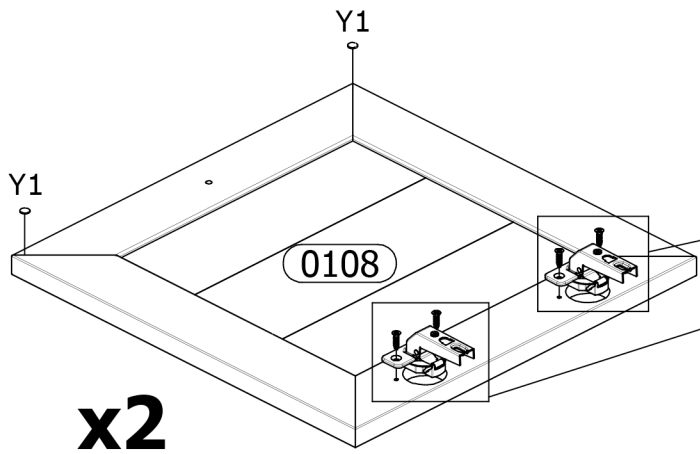
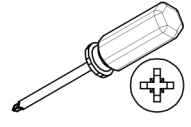
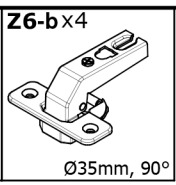
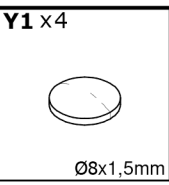
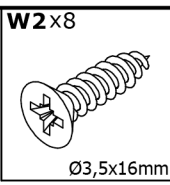


ca. 100 mm

ca. 100 mm



18



19

