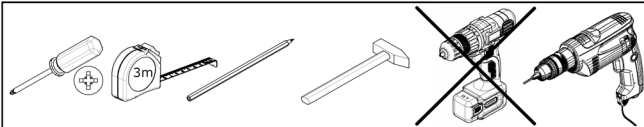
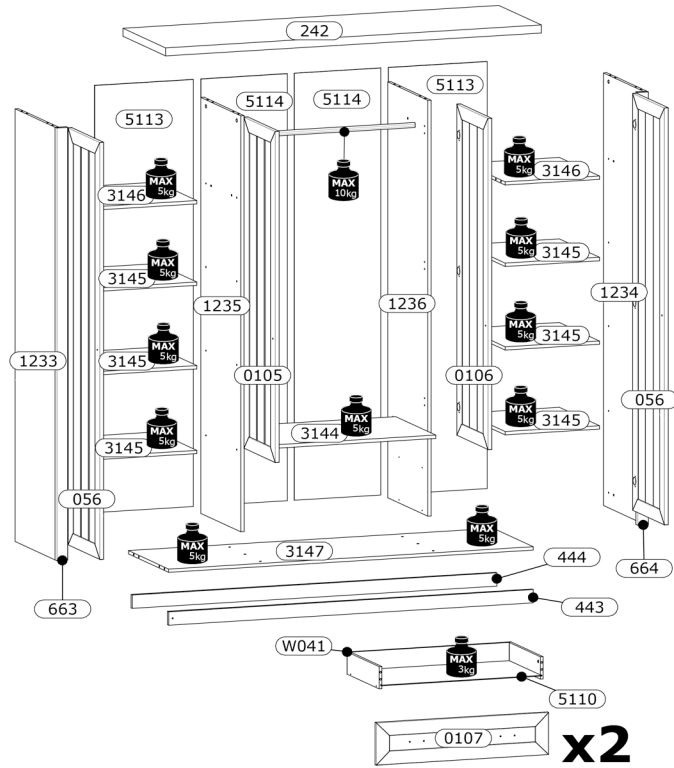
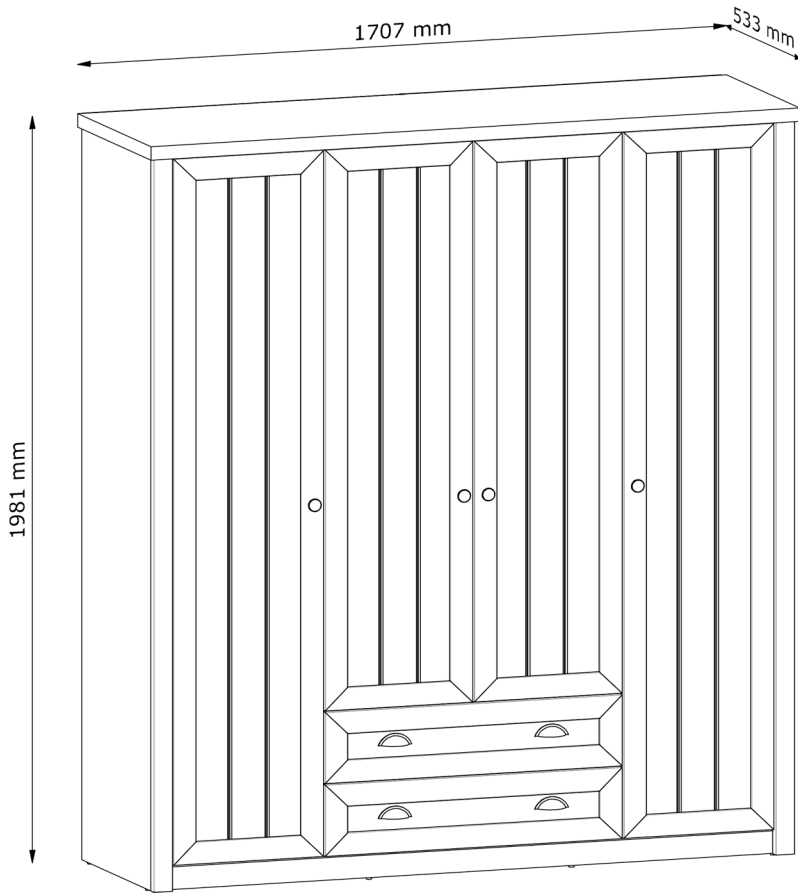
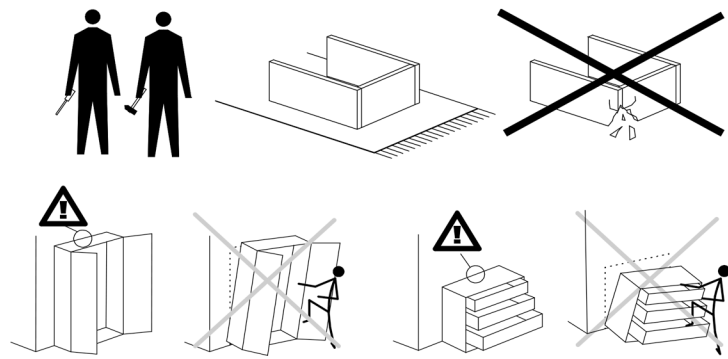


S4D SA

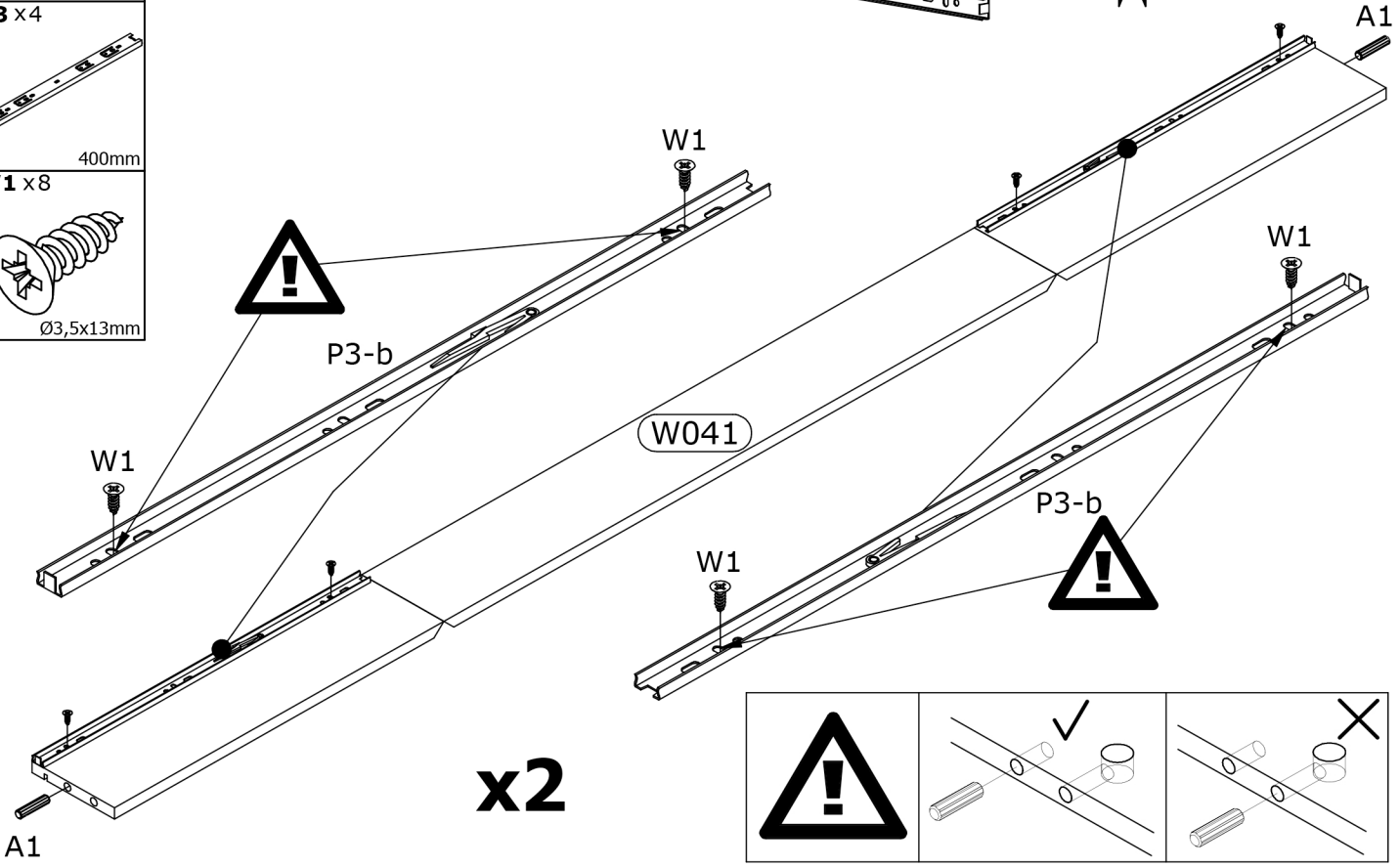
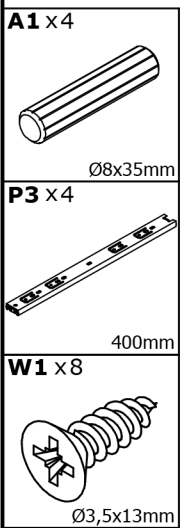
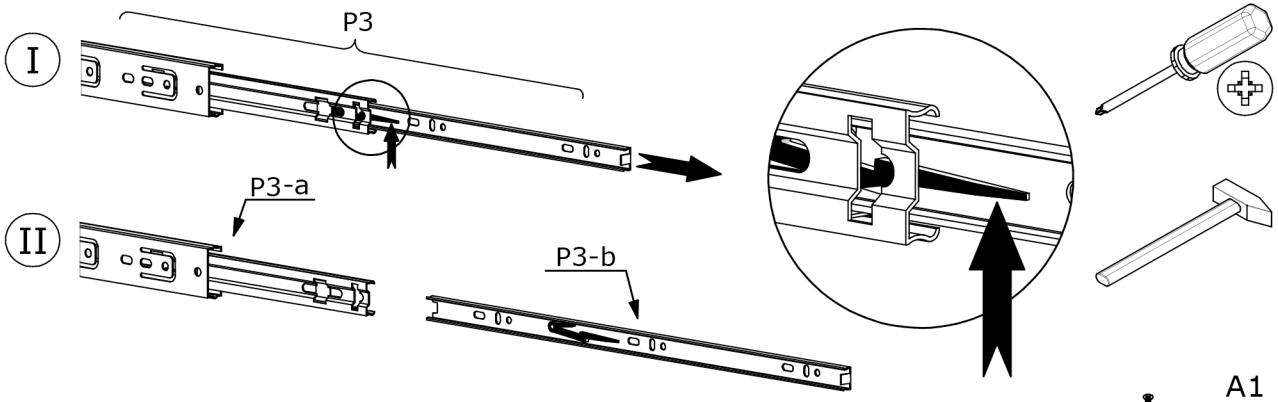


A1 x40 Ø8x35mm	B1 x36 Ø5x38mm	C1 x32 Ø15x12mm	C2 x4 Ø12x10mm	D21 x1 L=761mm
E1 x24 Ø5x16mm	E6 x2 Ø8x35mm	G1 x100 26mm	G3 x26 22x10mm	H x1 1915 mm
J1 x28 Ø21mm	K1 x6 Ø6,4x50mm	N2 x1 4mm HEX	P3 x4 400mm	R1 x2 24x24x19mm
T4 x2 75x28x16 mm	U1 x4 Ø33mm	U3 x4 92x33mm	W1 x12 Ø3,5x13mm	W2 x42 Ø3,5x16mm
W5 x2 Ø4x30mm	X2 x8 M4x16mm	X4 x4 M4x25mm	Y1 x12 Ø8x1,5mm	Y5 x12 Ø15x20mm
Z2 x6 50x40, H=4	Z3 x6 Ø35, ZK0	Z6 x6 Ø35mm, 90°		

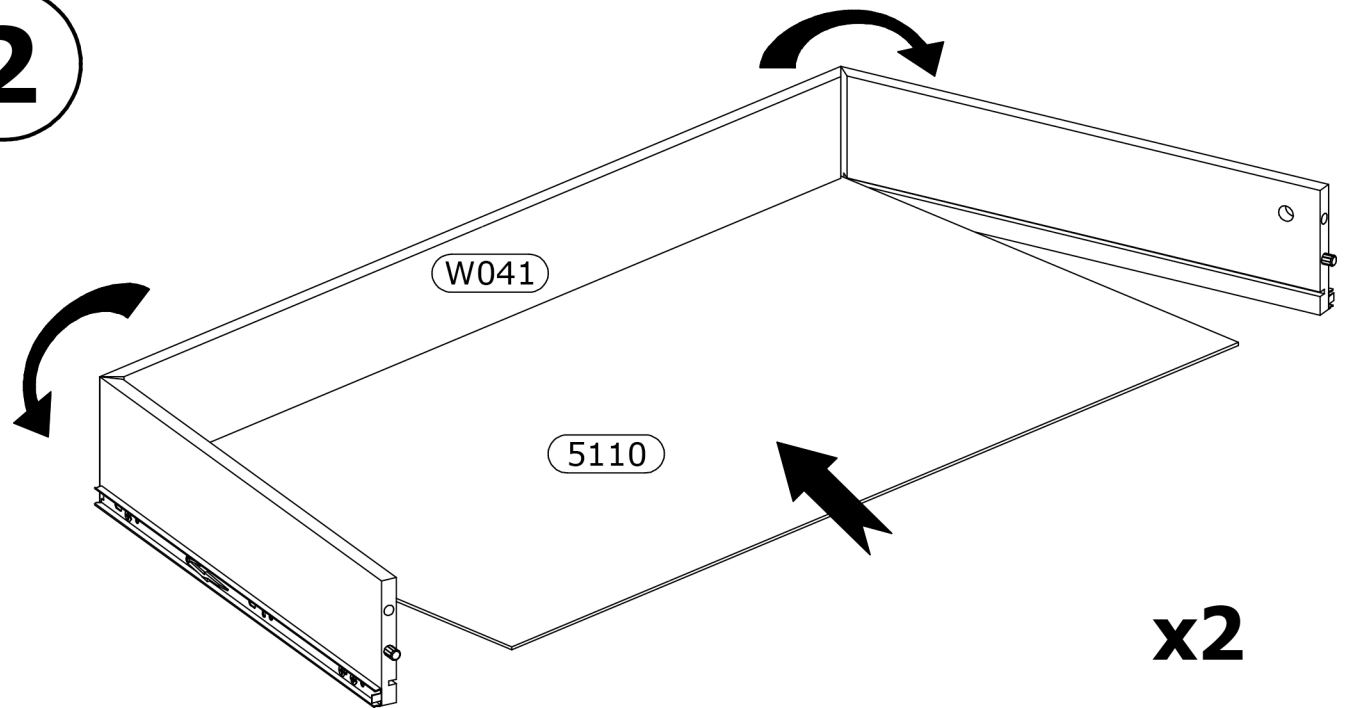
No	L[mm]	W[mm]	H[mm]	PCS	BOX
0105	1485	389	18	1	4/5
0106	1485	389	18	1	4/5
0107	782	189	18	2	3/5
056	1870	395	18	2	4/5
1233	1940	500	15	1	1/5
1234	1940	500	15	1	1/5
1235	1865	500	15	1	1/5
1236	1865	500	15	1	1/5
242	1707	530	36	1	2/5
3144	770	500	15	1	3/5
3145	500	428	15	6	3/5
3146	500	428	15	2	3/5
3147	1656	500	15	1	2/5
443	1655	60	15	1	2/5
444	1655	60	15	1	2/5
5110	730	401	2,5	2	1/5
5113	1915	448	2,5	2	1/5
5114	1915	392	2,5	2	1/5
663	1940	50	22	1	1/5
664	1940	50	22	1	1/5
W041	1446	100	12	2	2/5



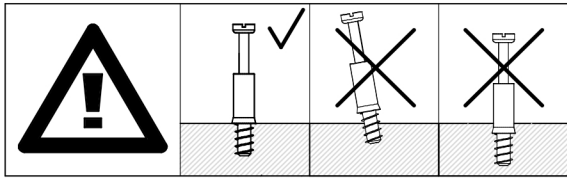
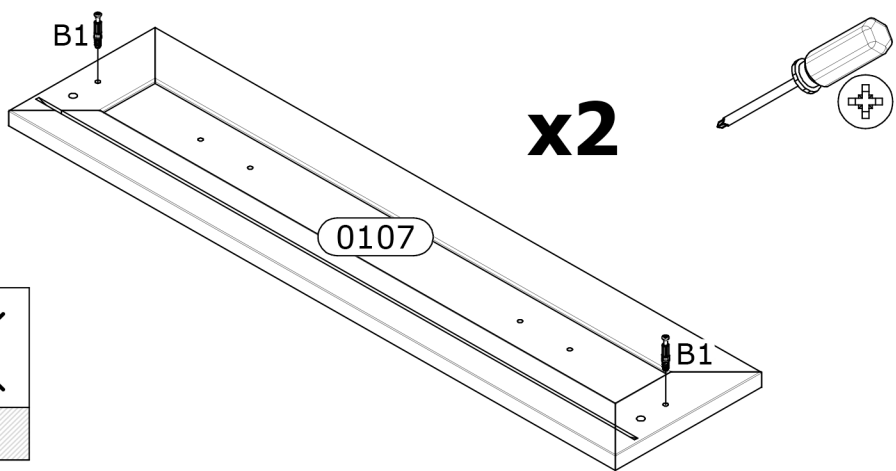
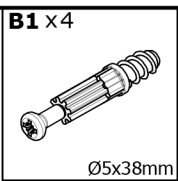
1



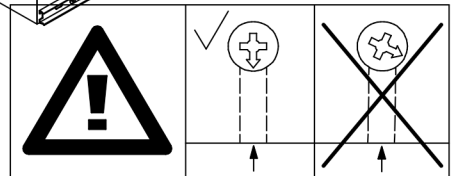
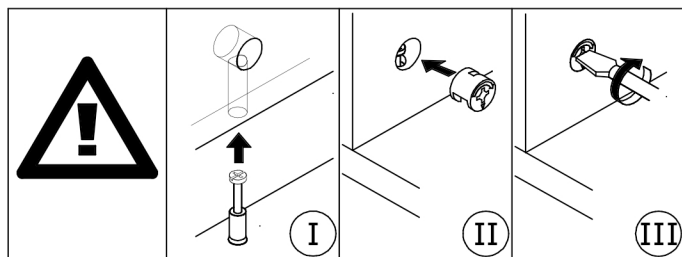
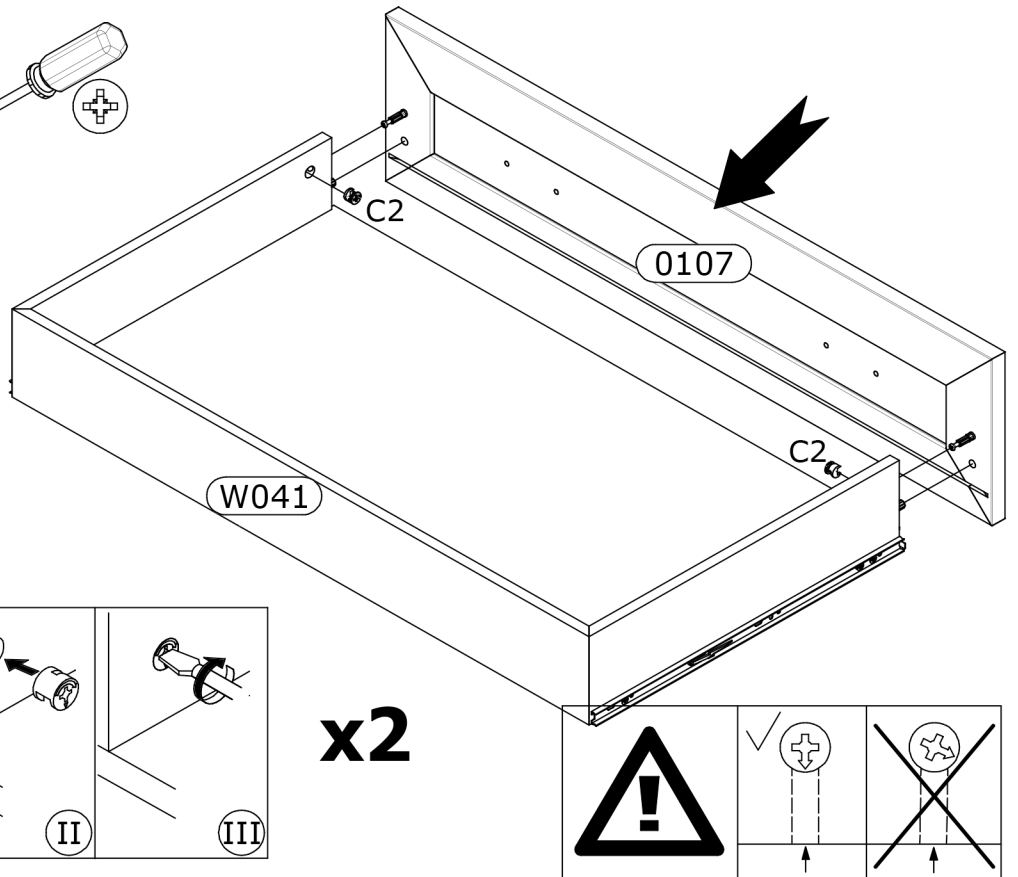
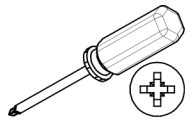
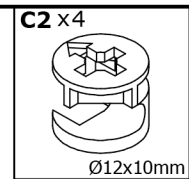
2



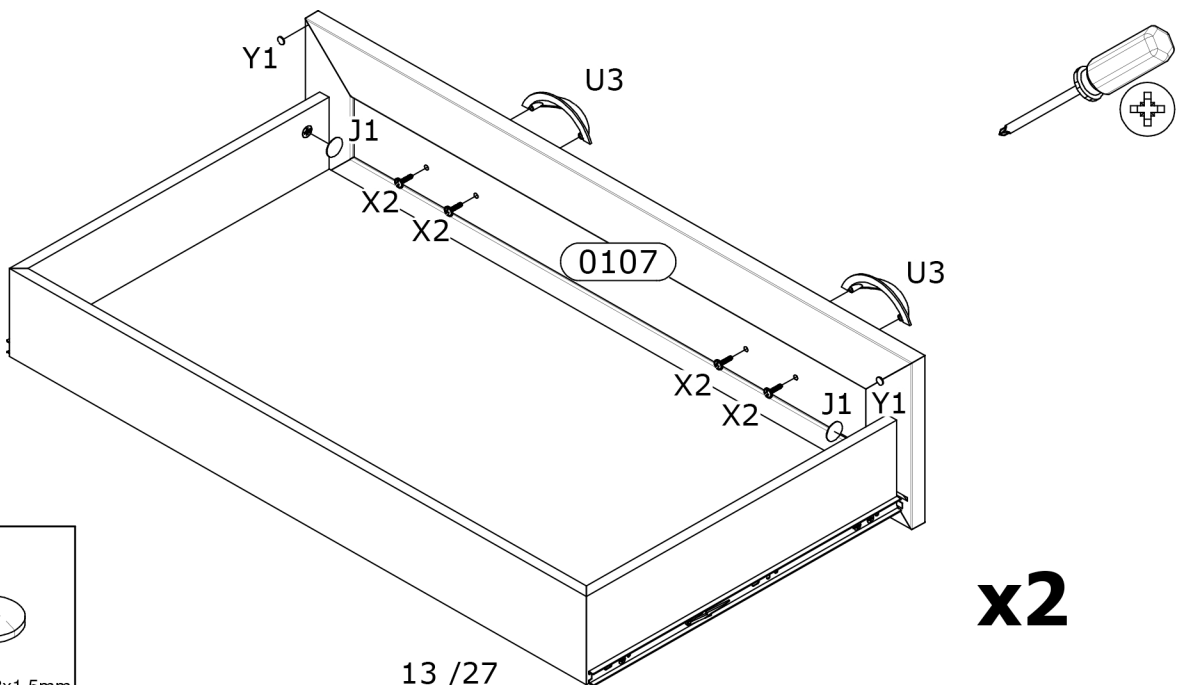
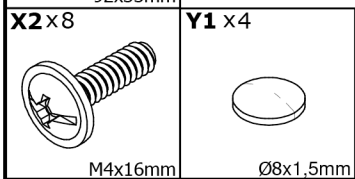
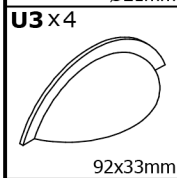
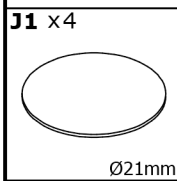
3



4



5



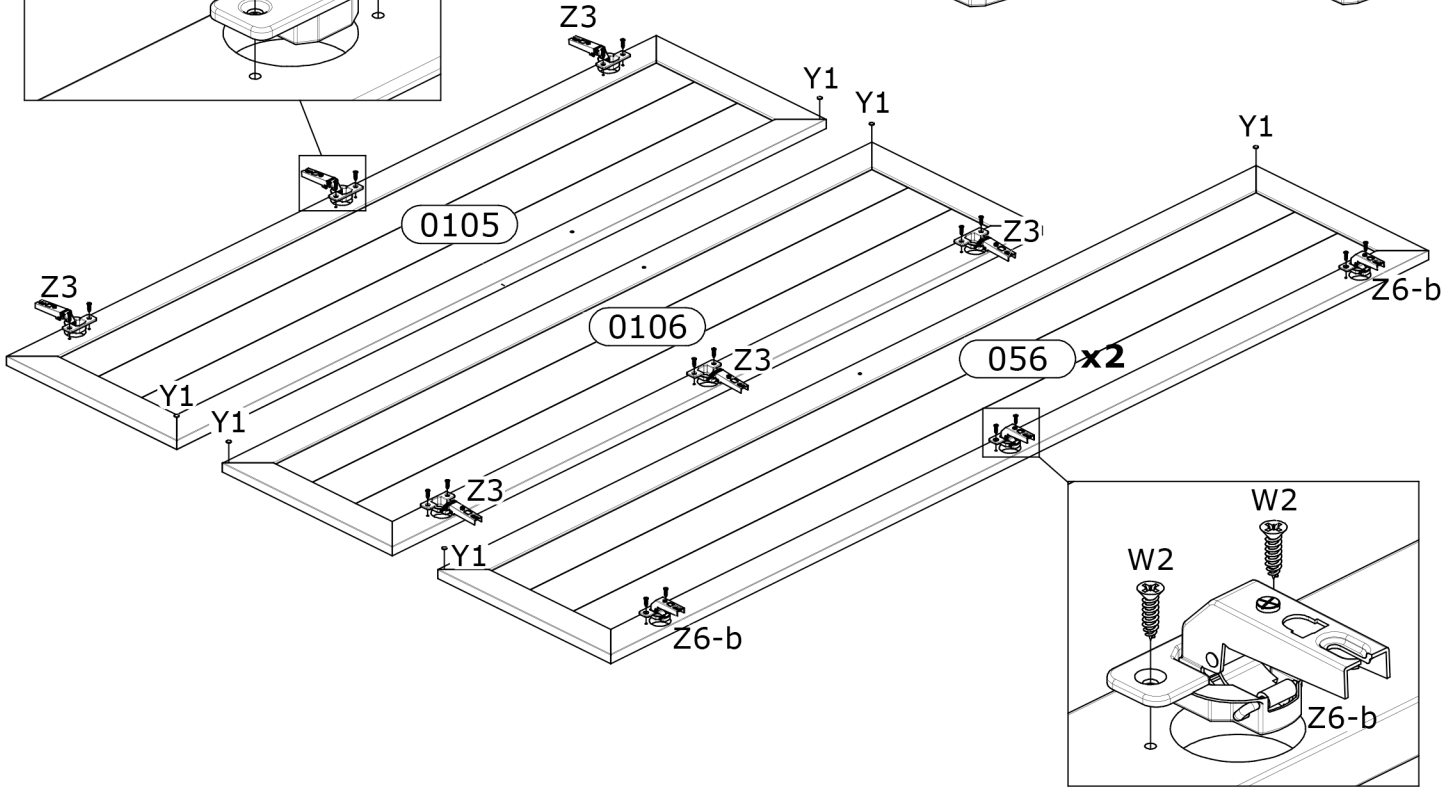
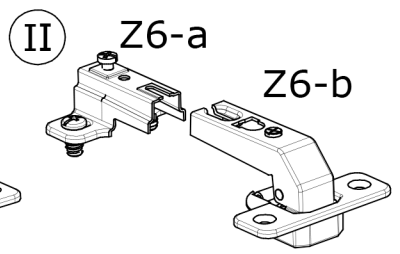
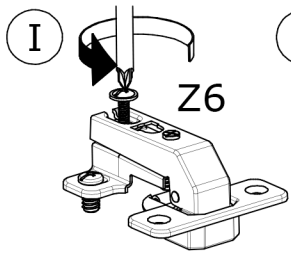
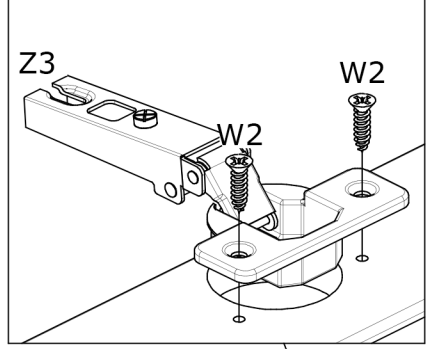
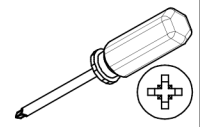
6

W2 x24
Ø3,5x16mm

Y1 x8
Ø8x1,5mm

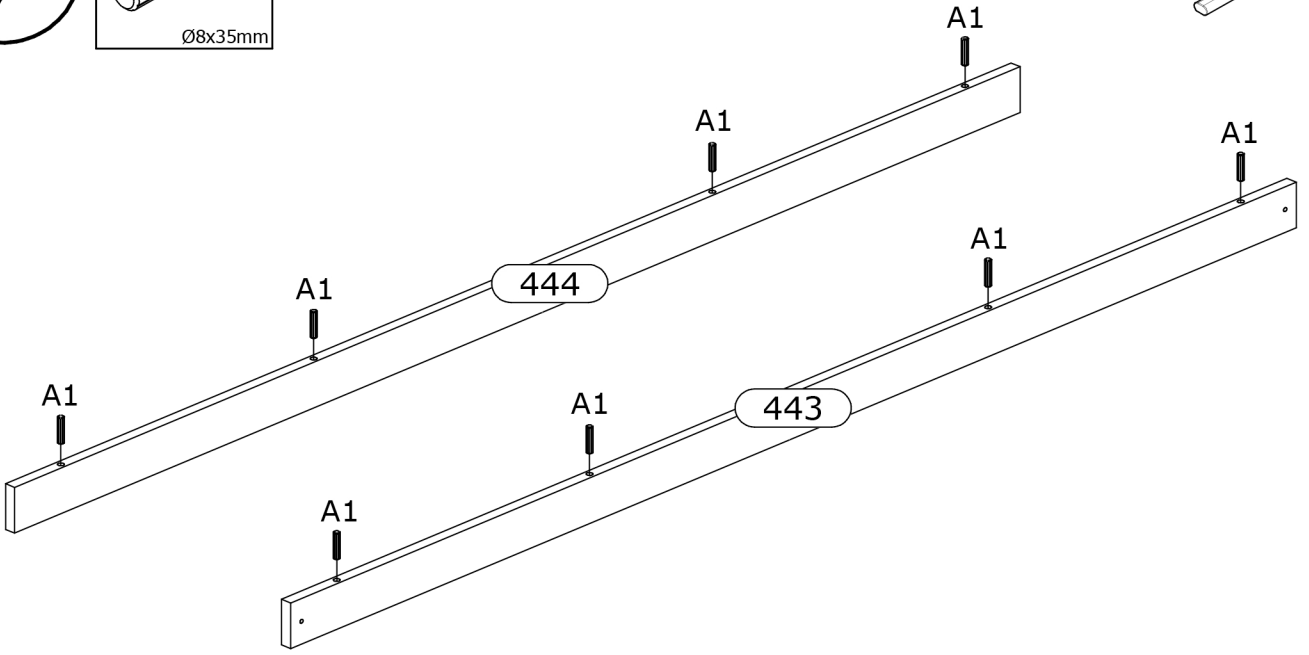
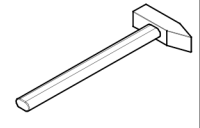
Z3 x6
Ø35, ZK0

Z6 x6
Ø35mm, 90°

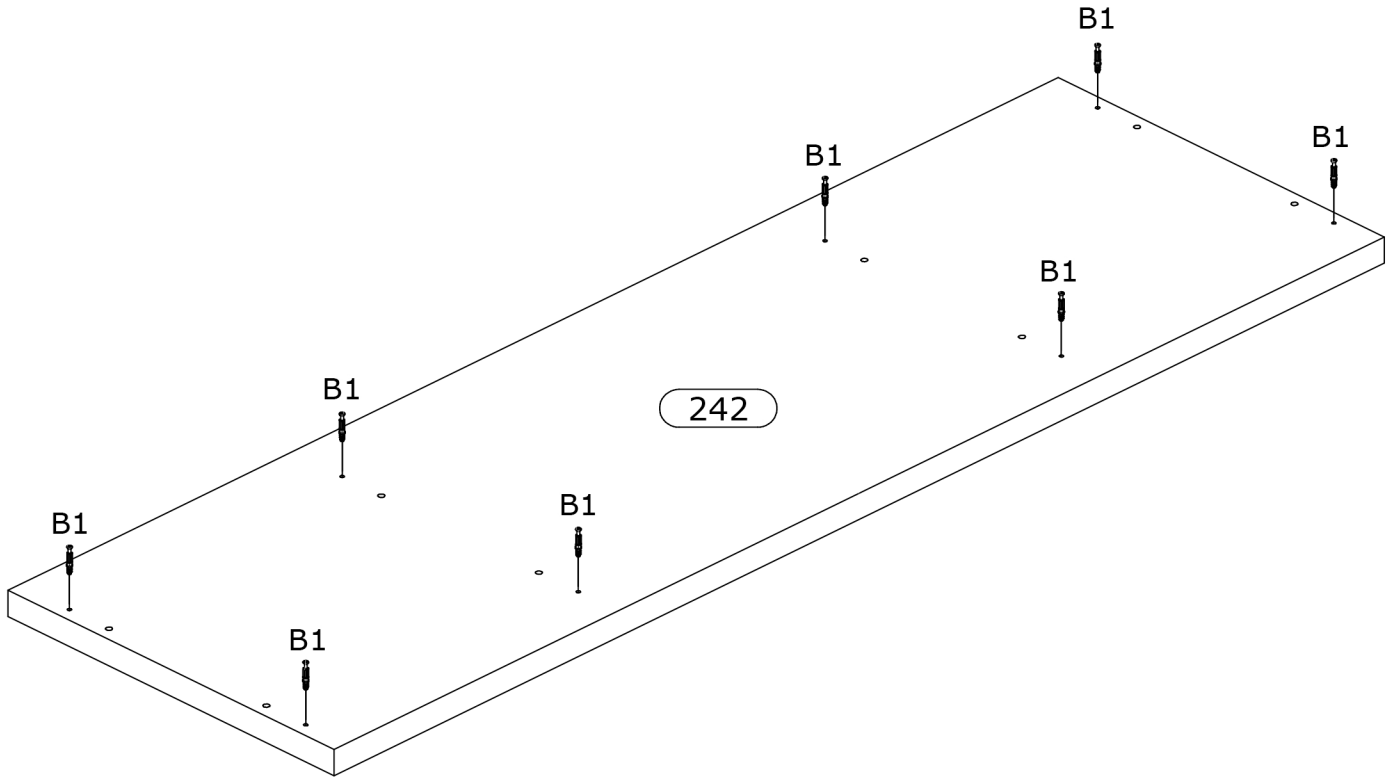
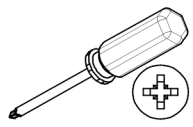
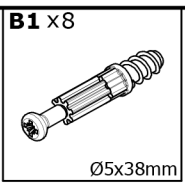


7

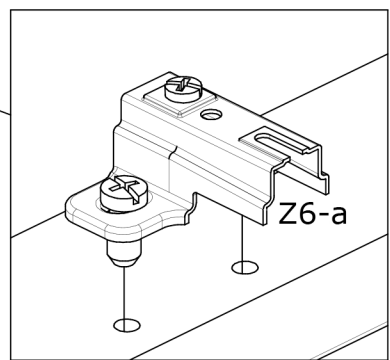
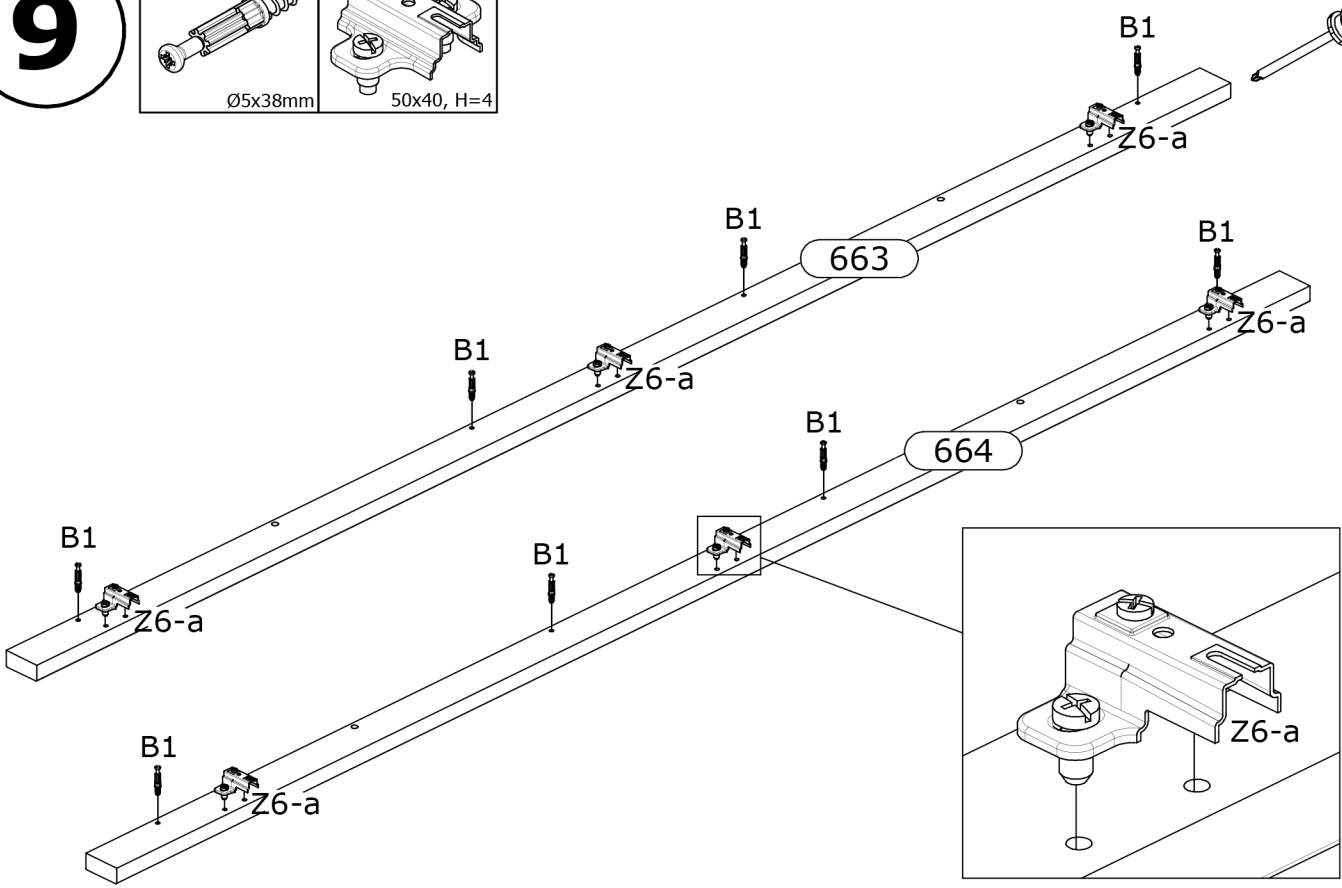
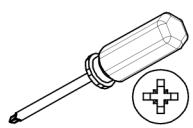
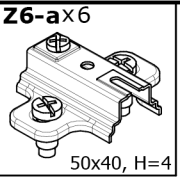
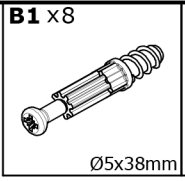
A1 x8
Ø8x35mm



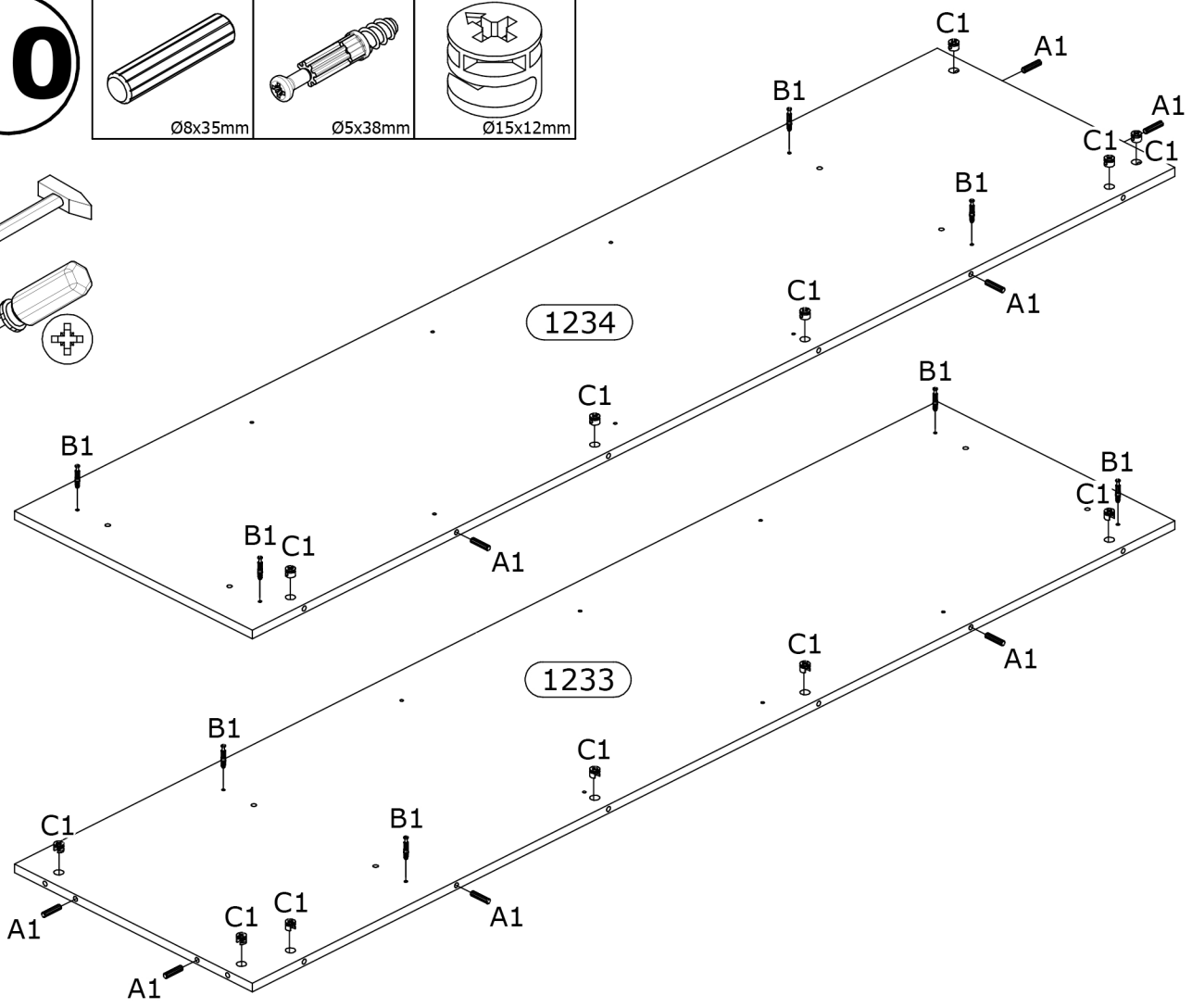
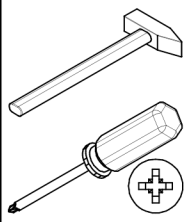
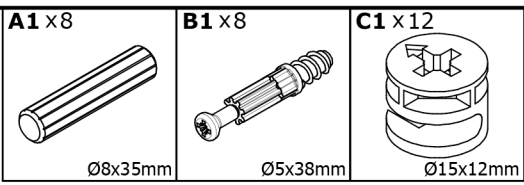
8



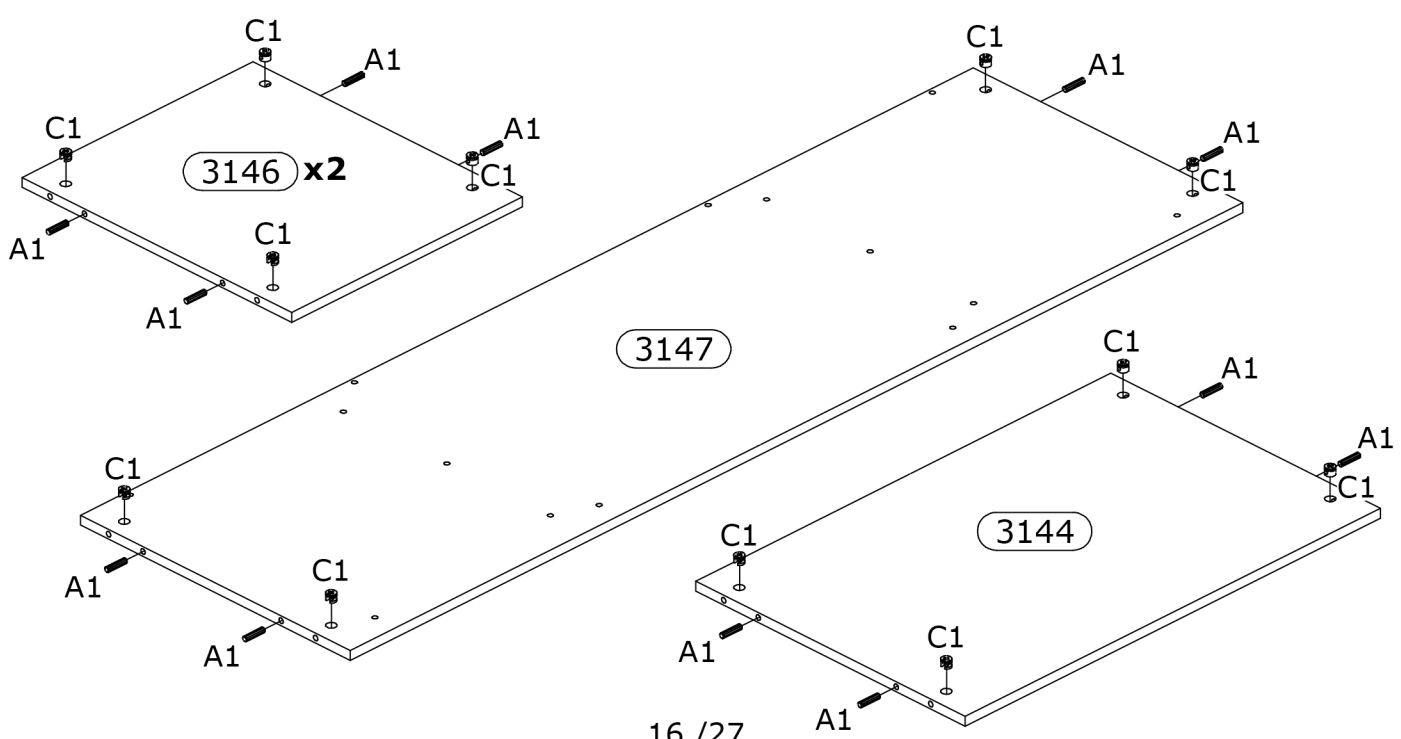
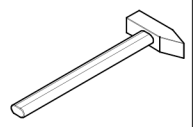
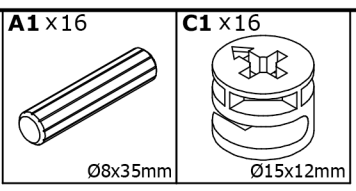
9



10

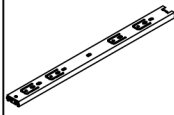


11



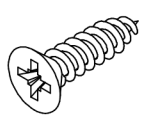
12

P3-a x 4

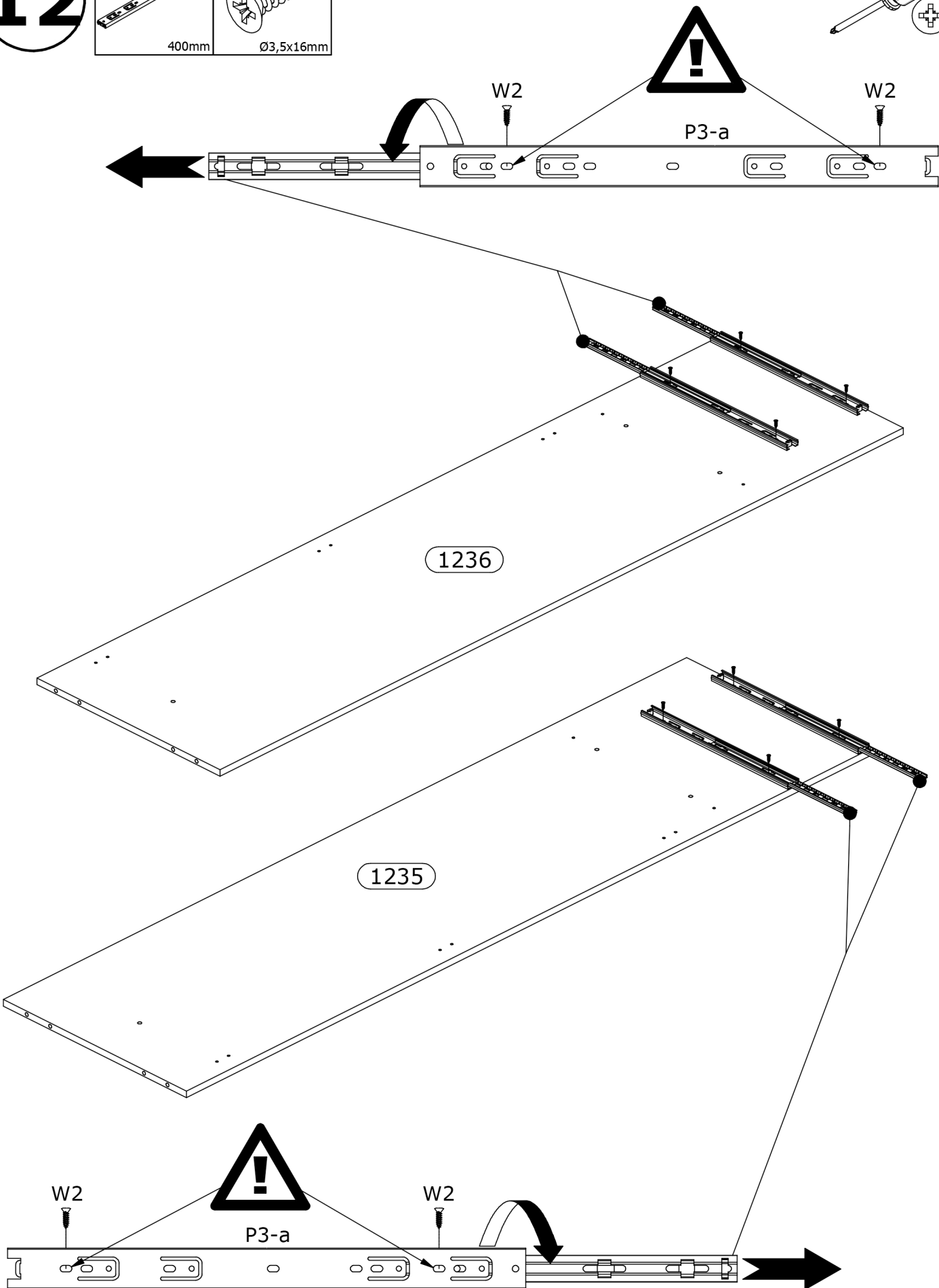
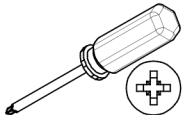


400mm

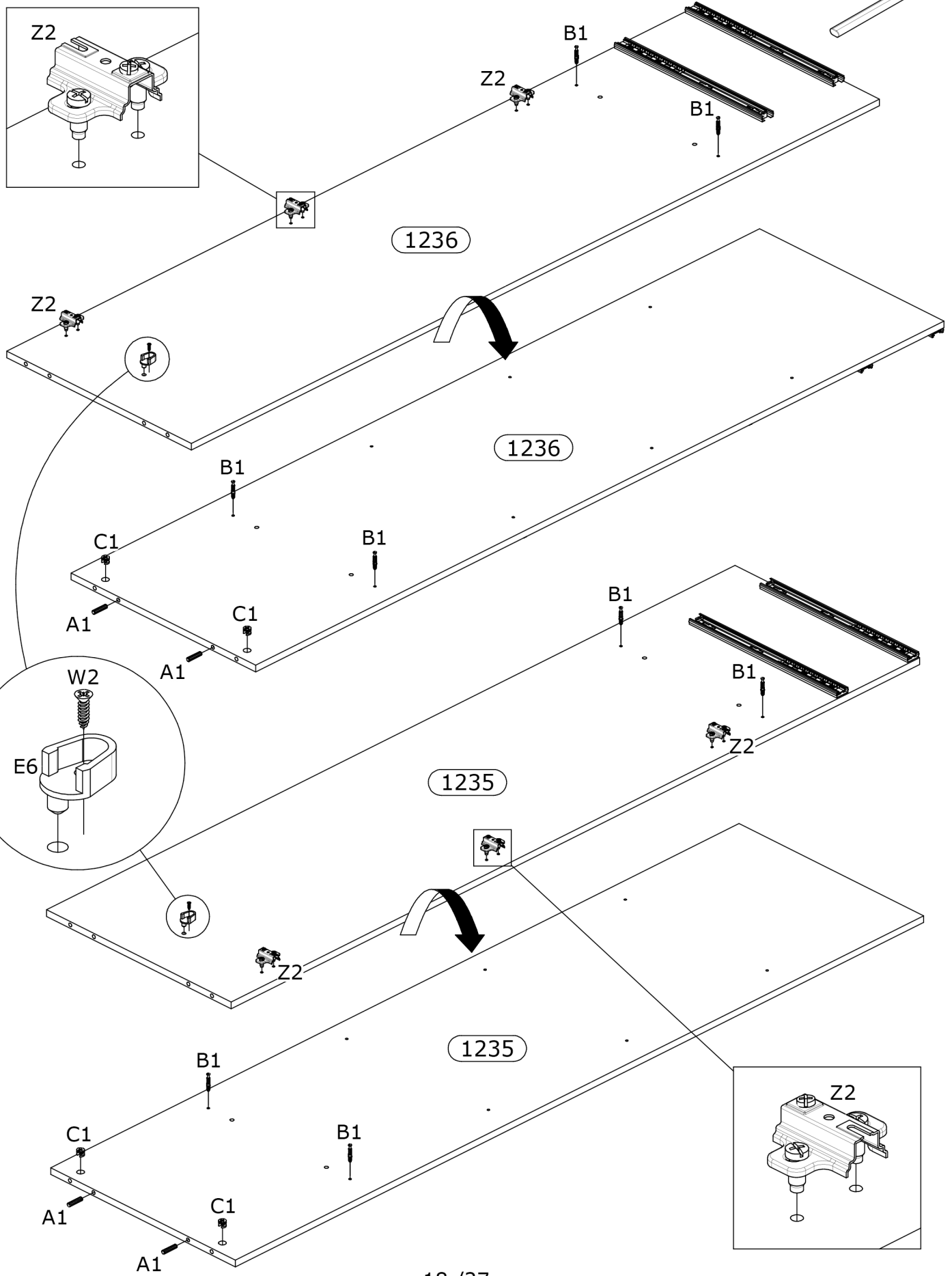
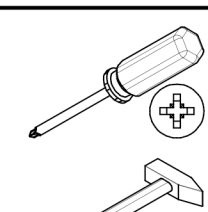
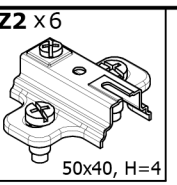
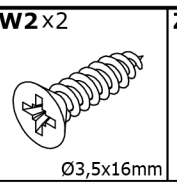
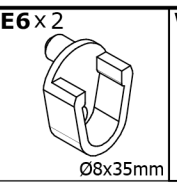
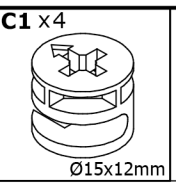
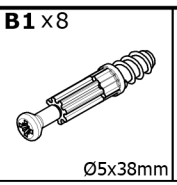
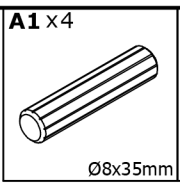
W2 x 8



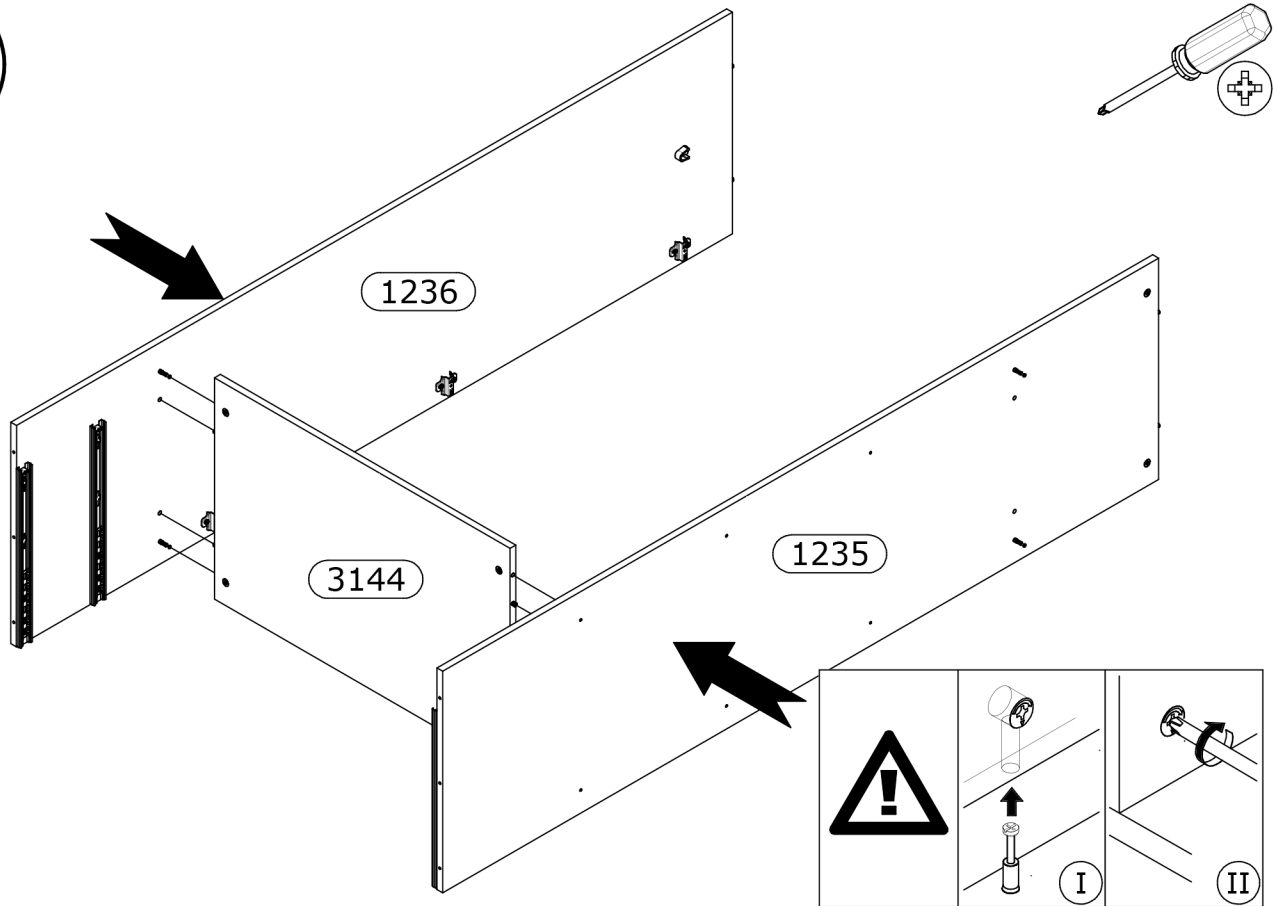
Ø3,5x16mm



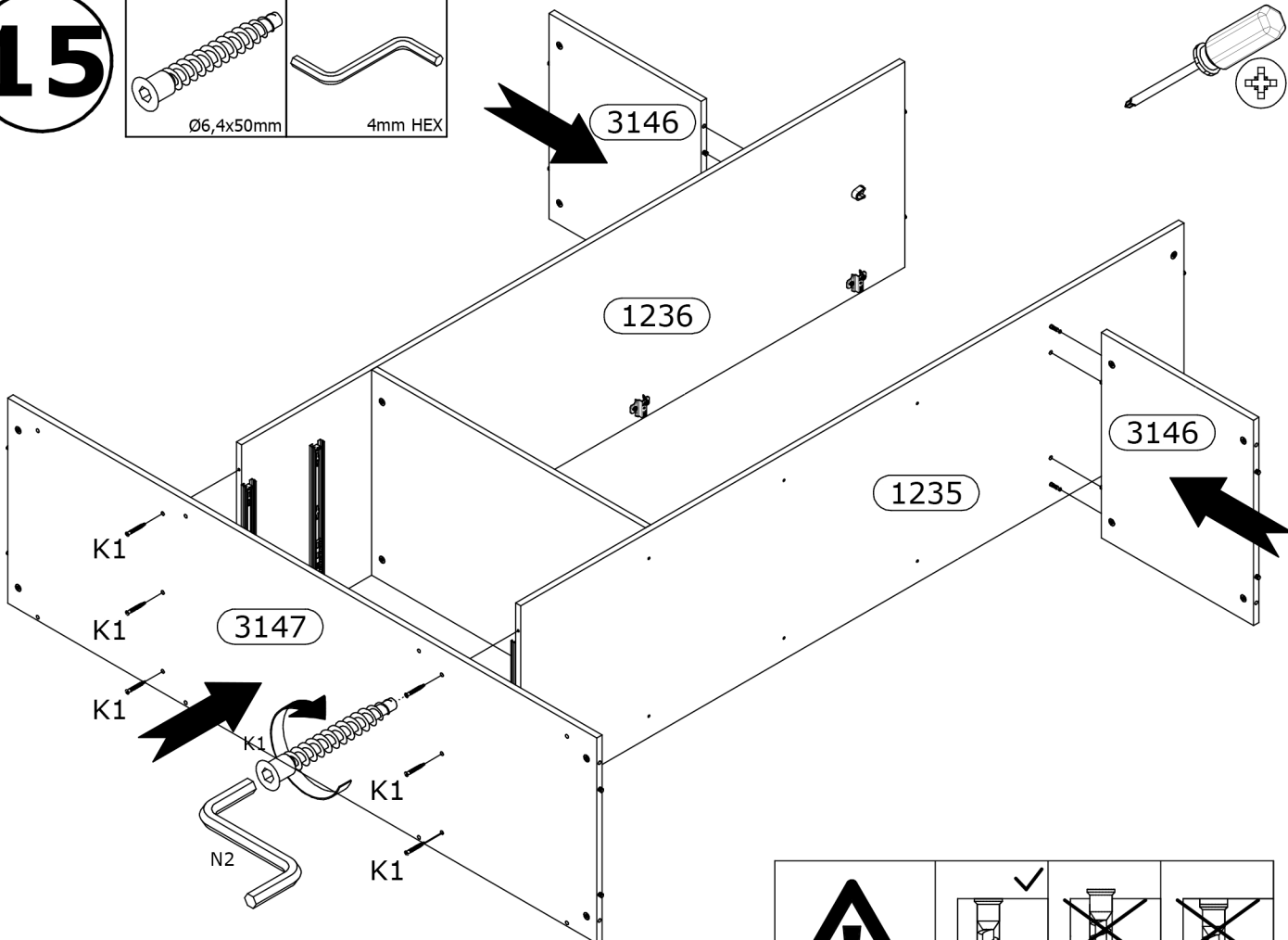
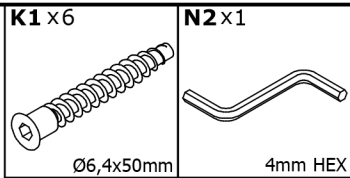
13



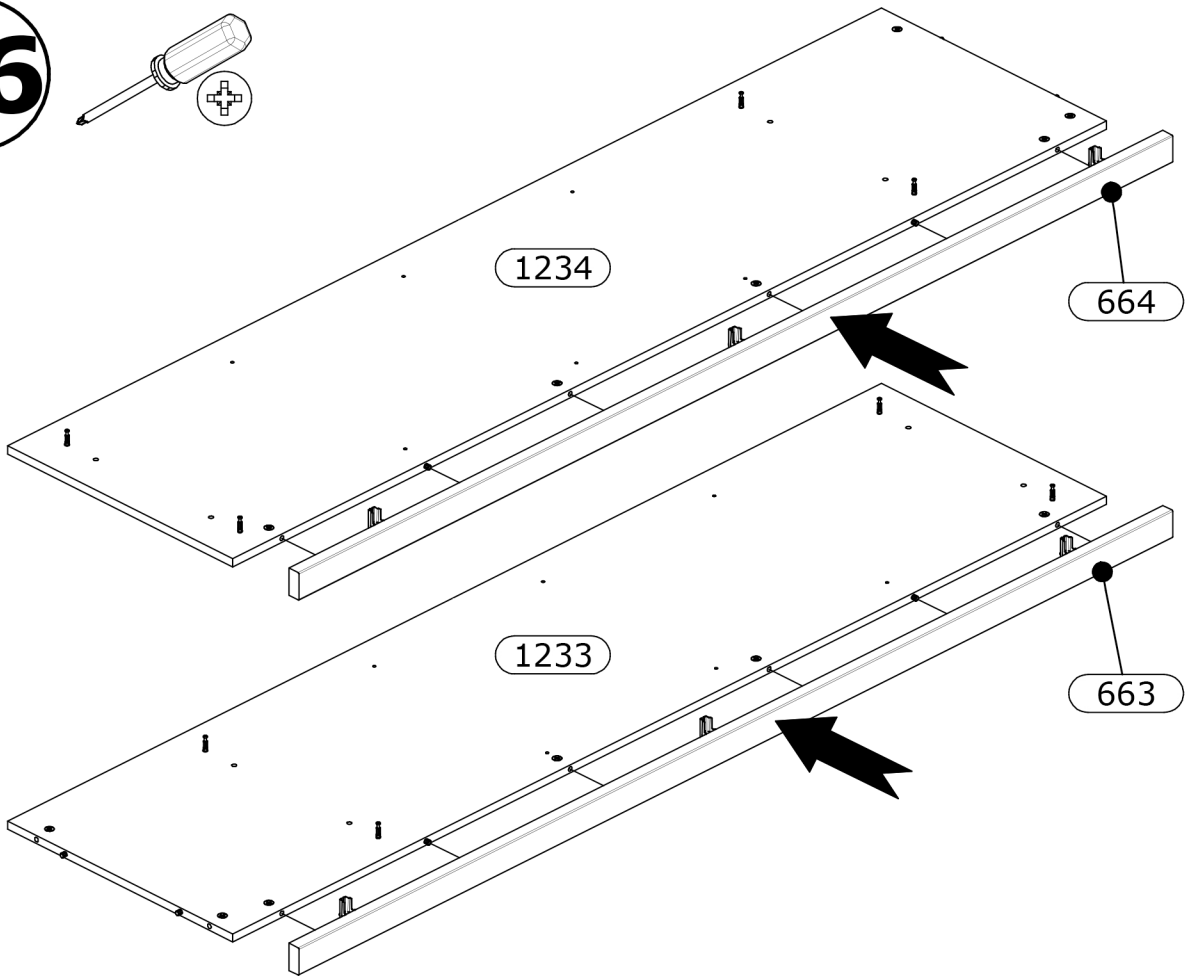
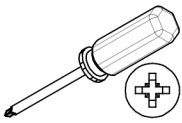
14



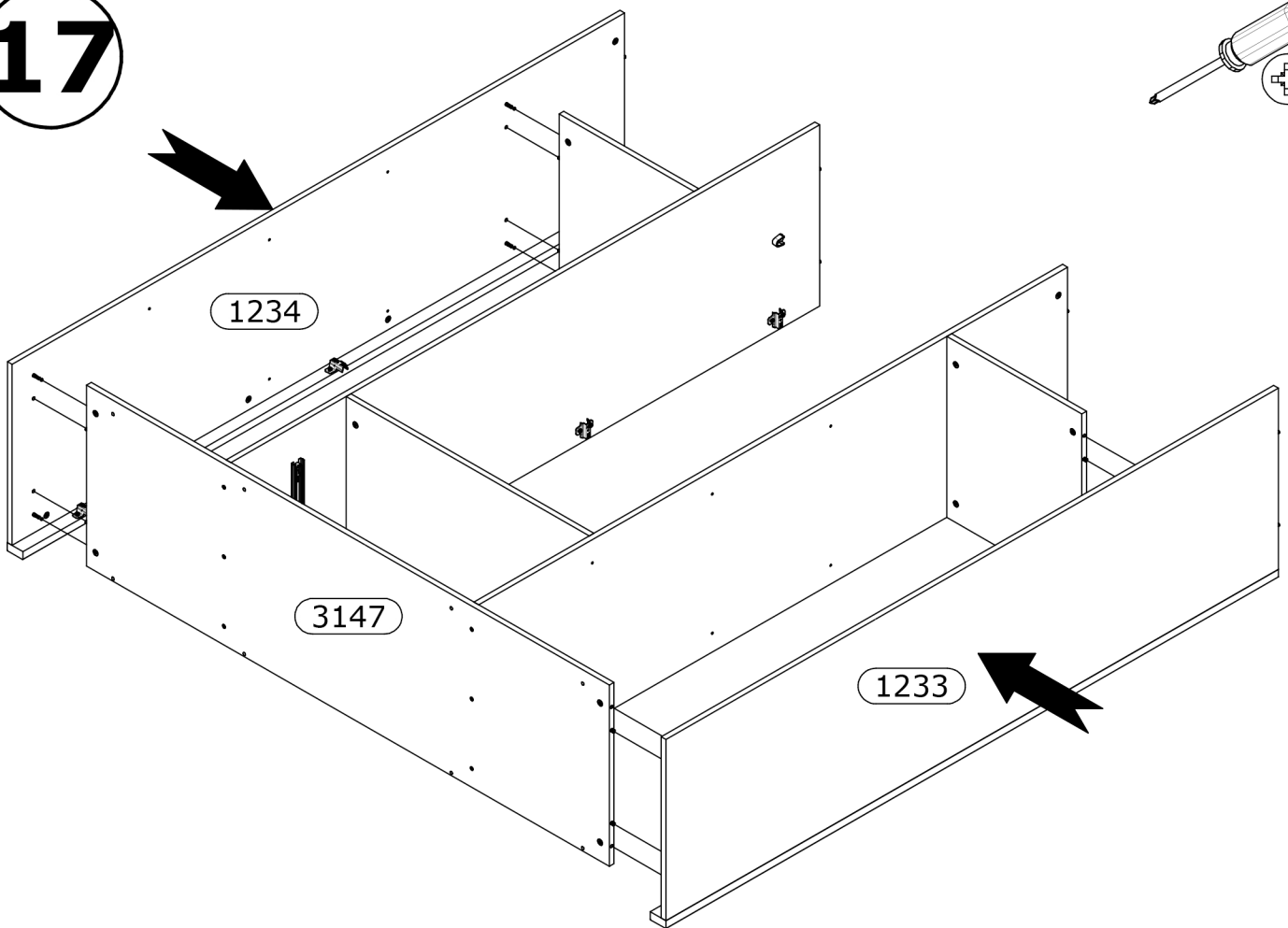
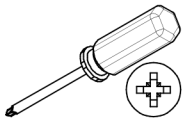
15



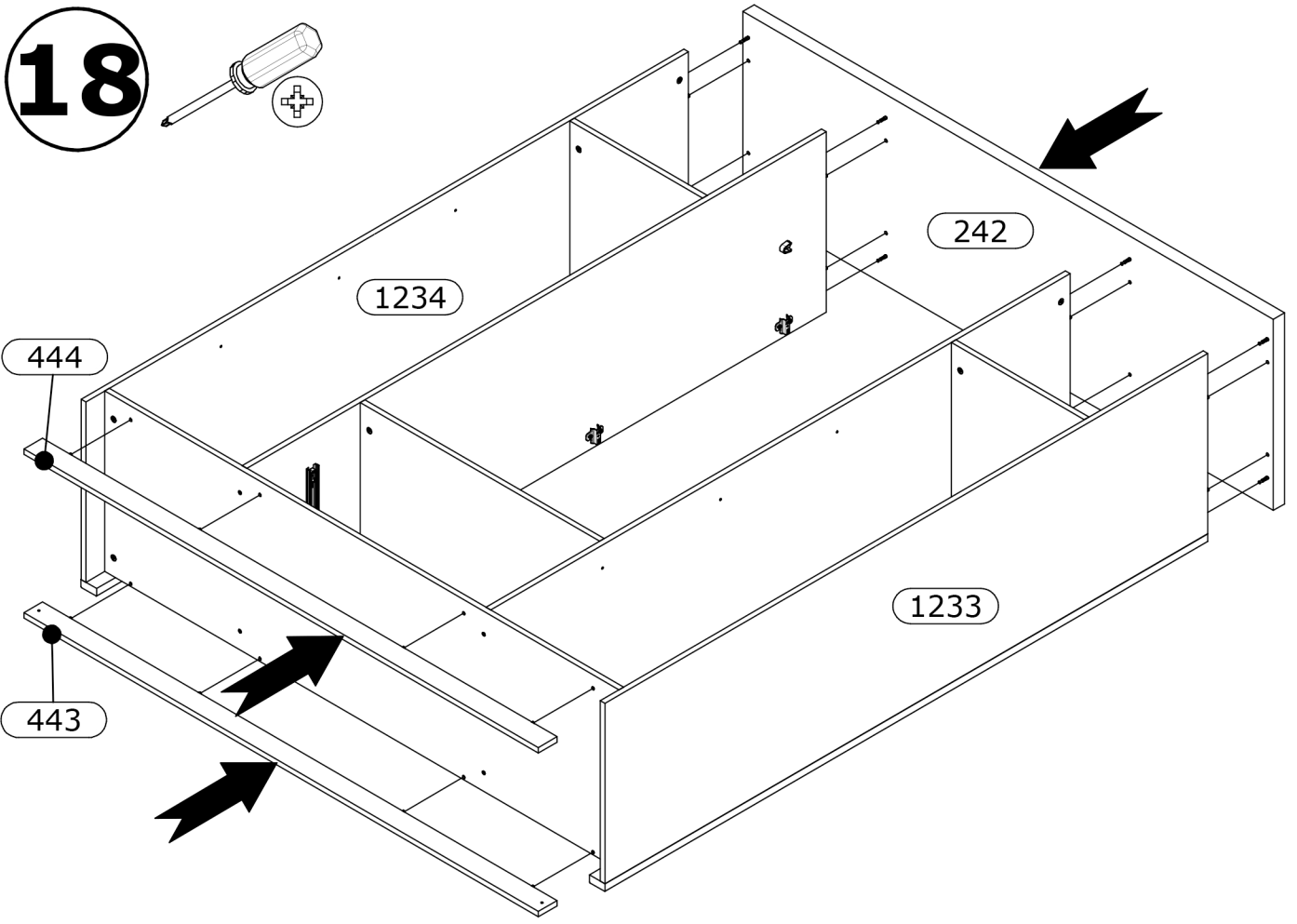
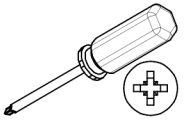
16



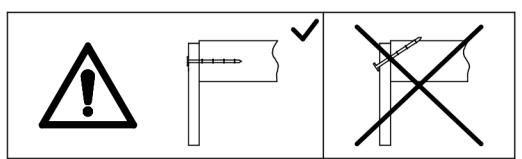
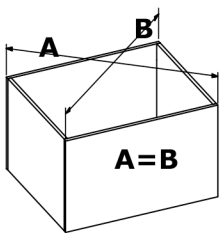
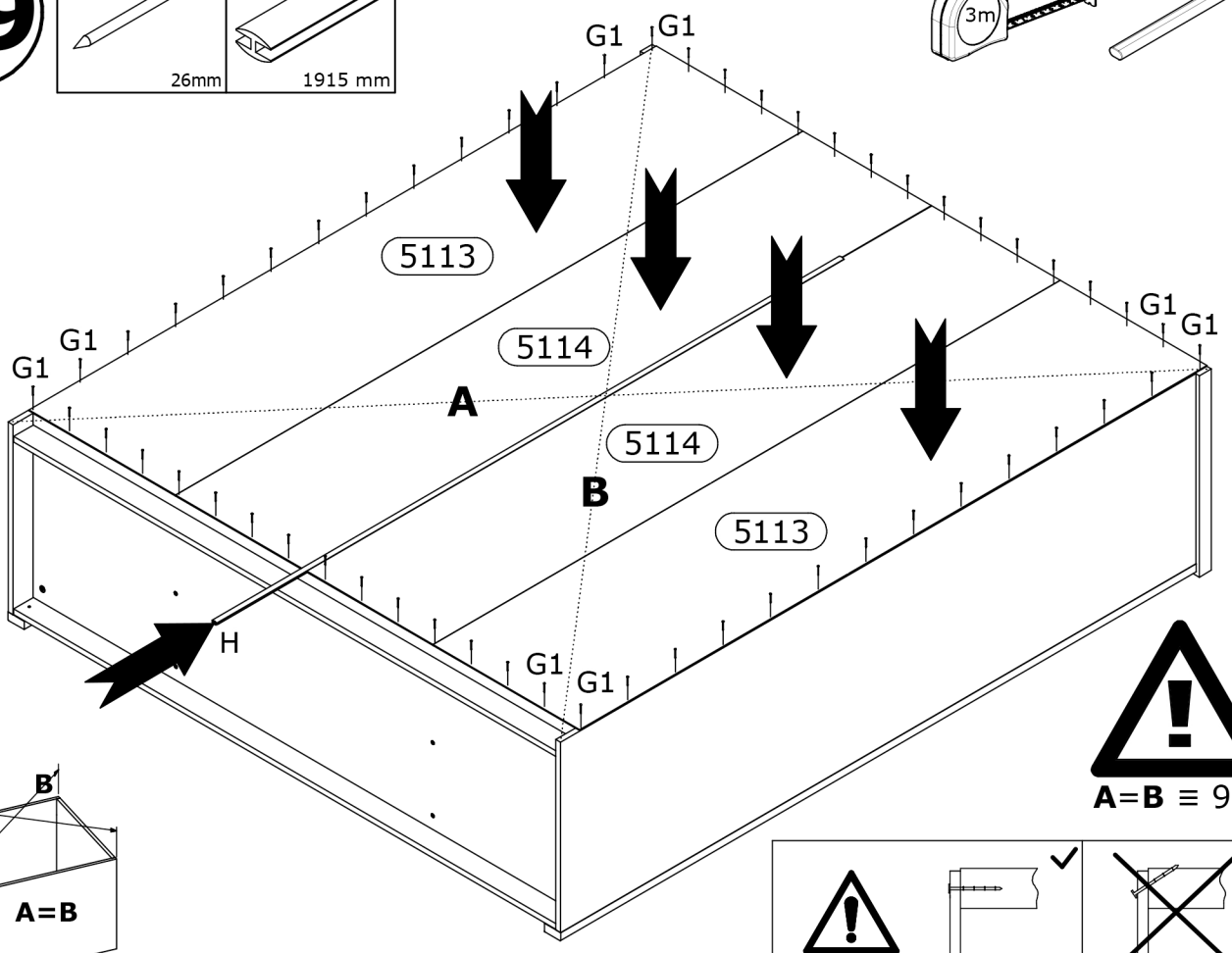
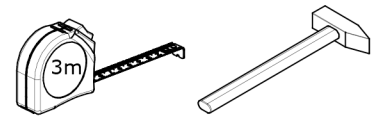
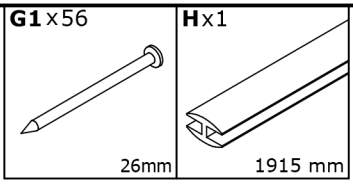
17



18

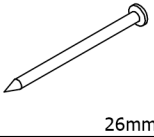


19

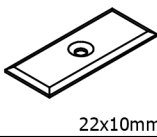


20

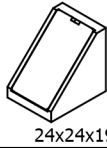
G1x44



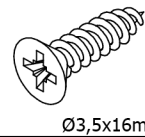
G3x26



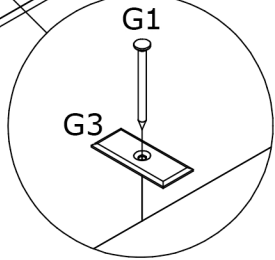
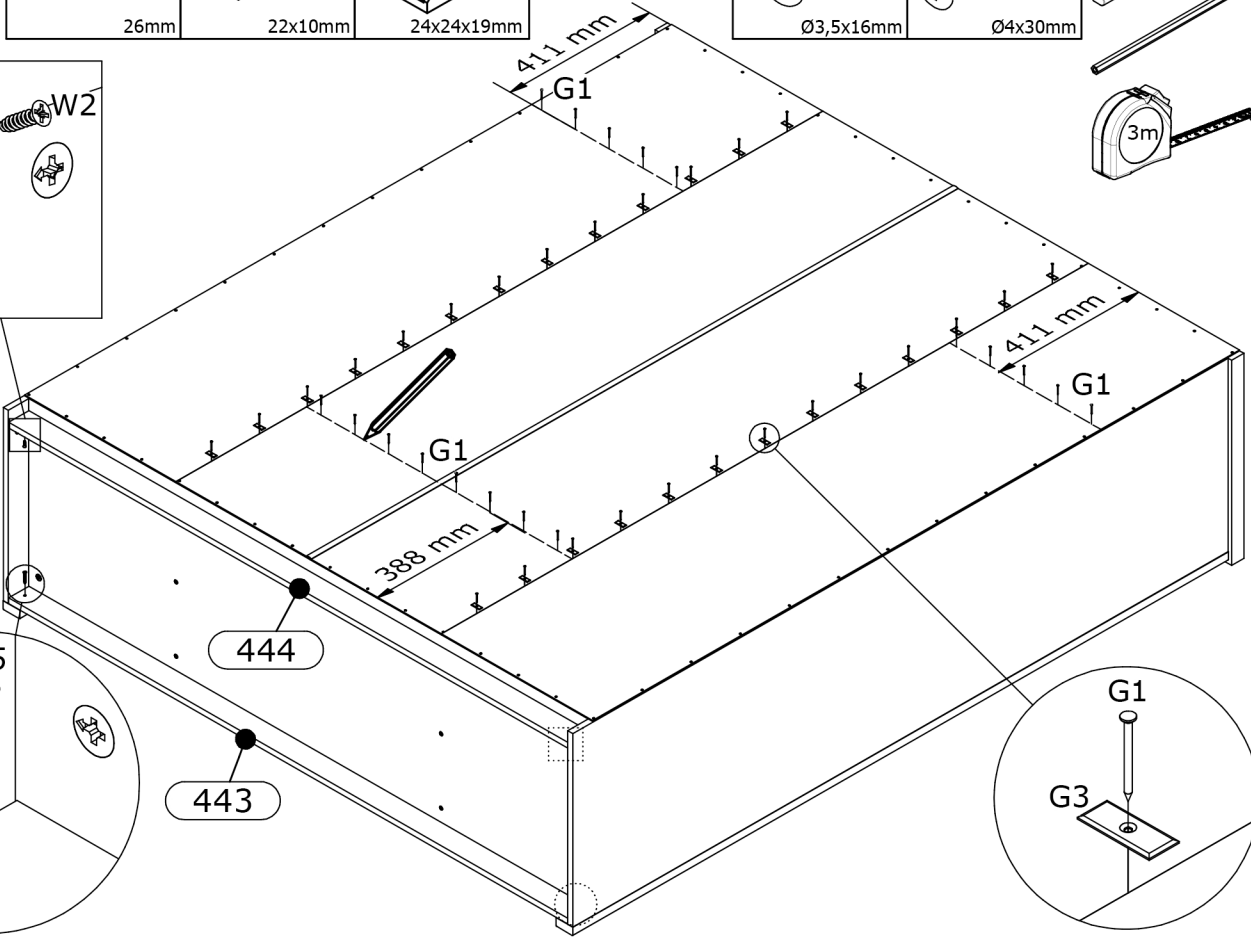
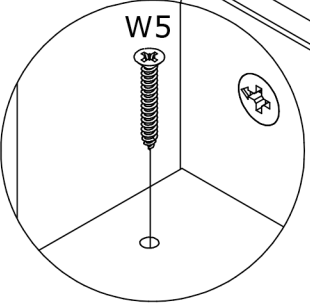
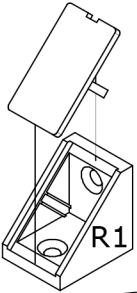
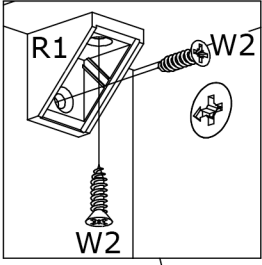
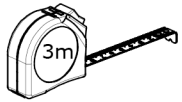
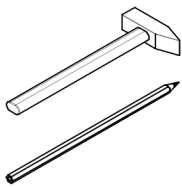
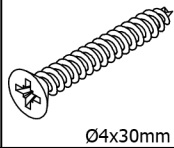
R1x2



W2x4

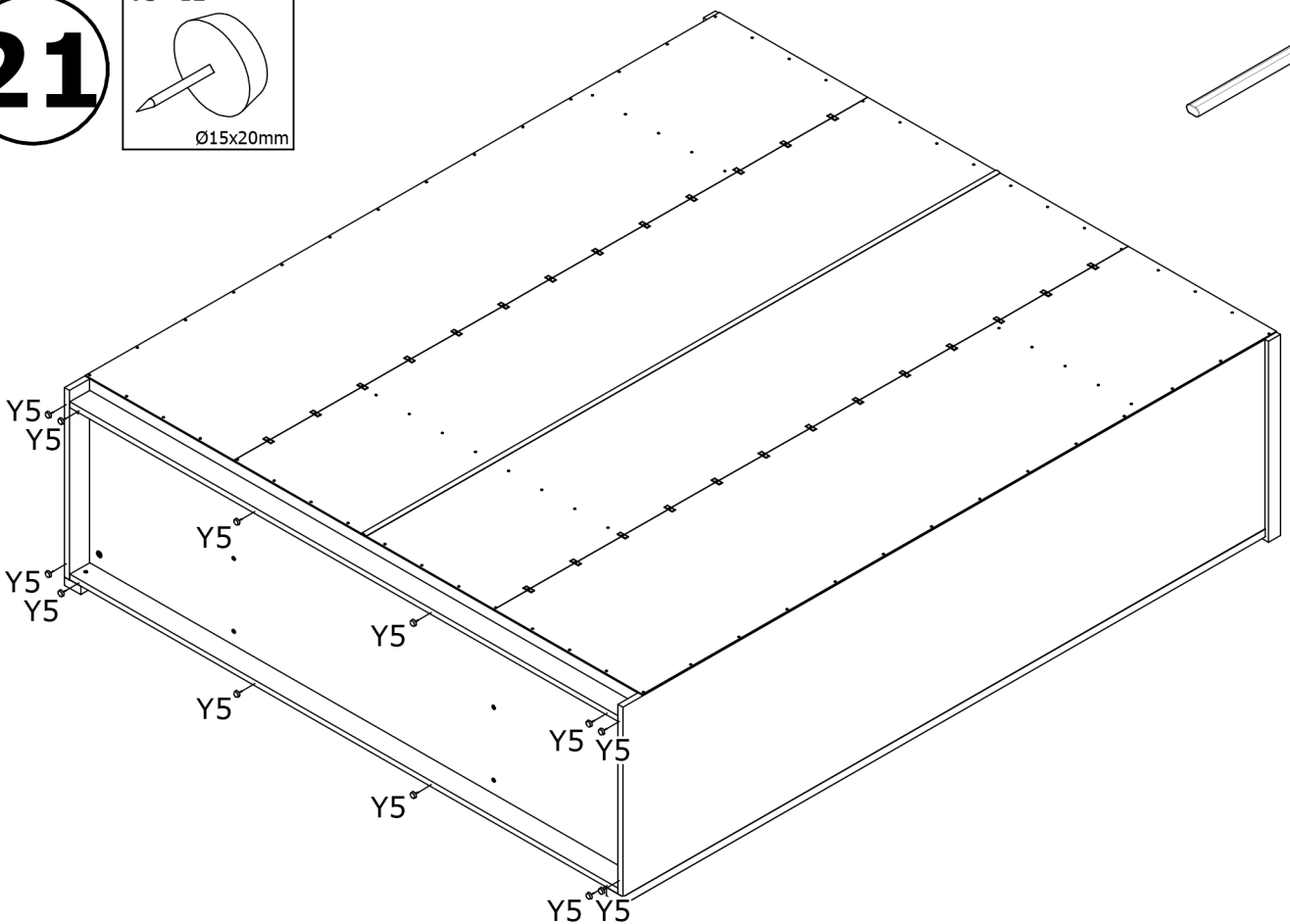
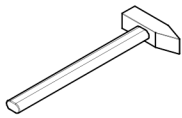
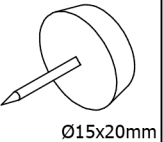


W5x2



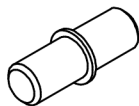
21

Y5x12



22

E1 x 24

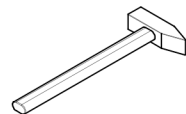
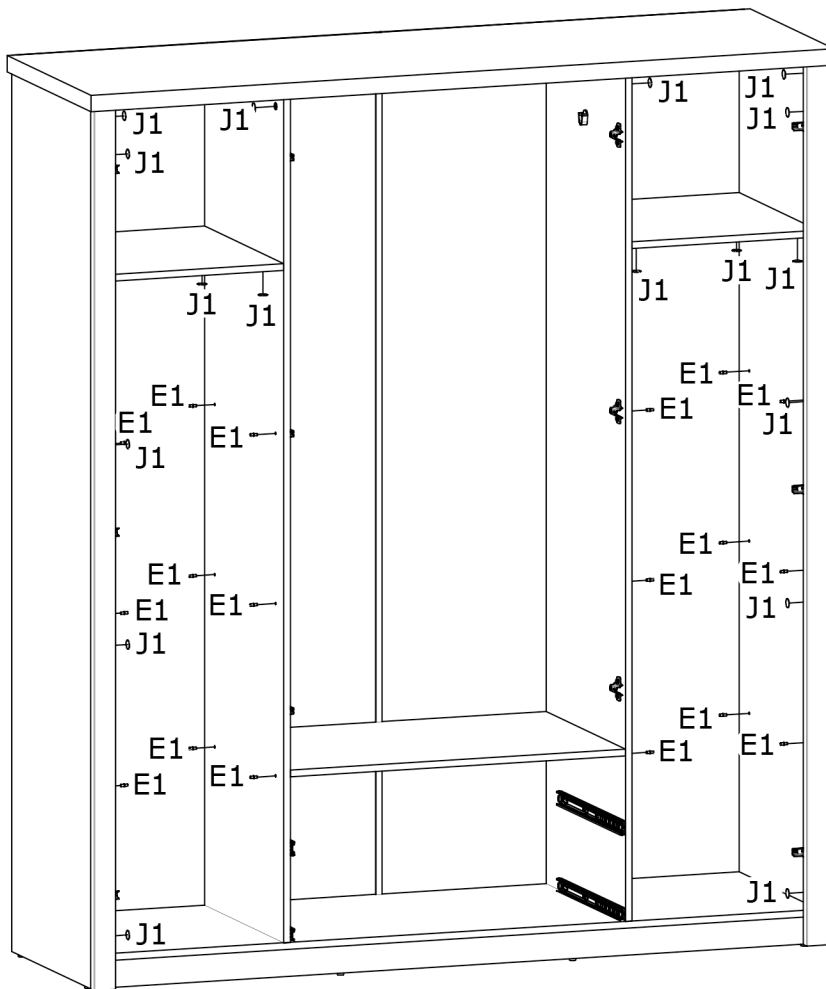


Ø5x16mm

J1 x 24

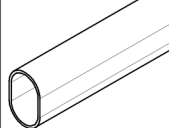


Ø21mm

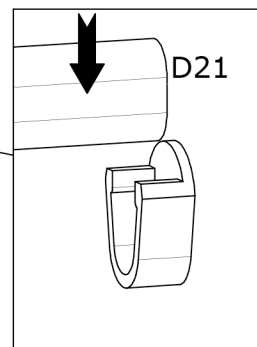
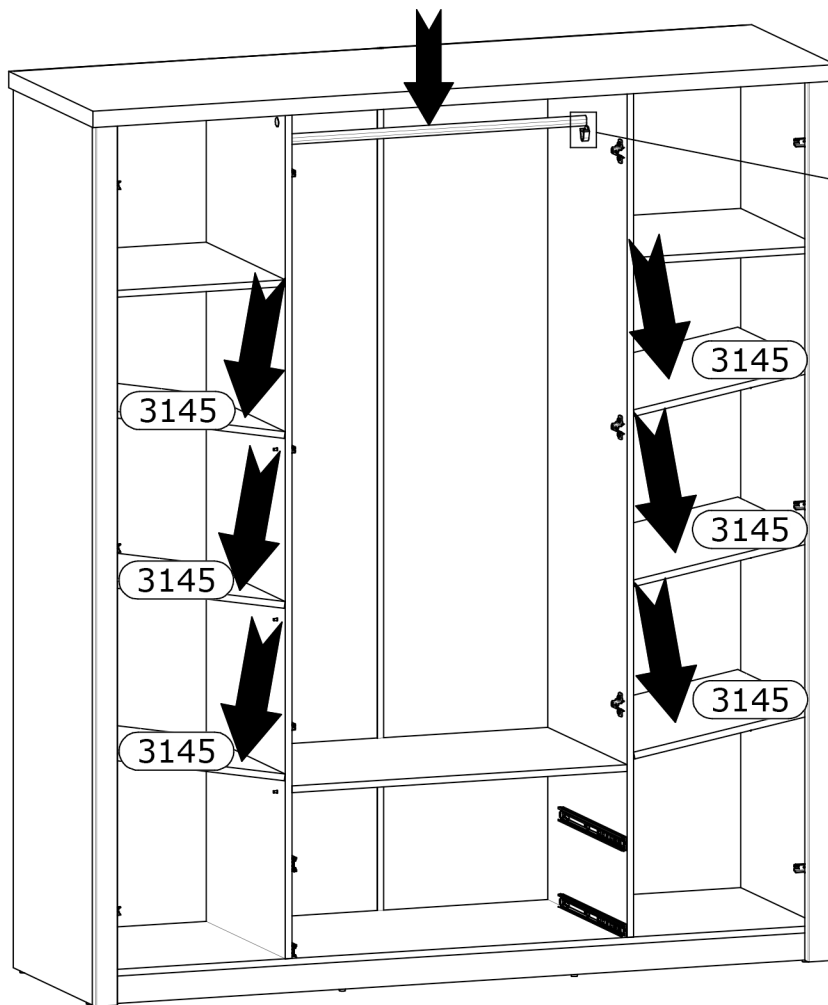


23

D21 x 1

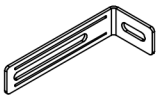


L=761mm



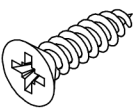
24

T4 x2

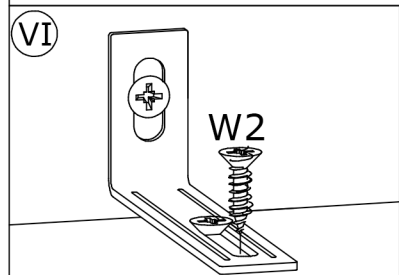
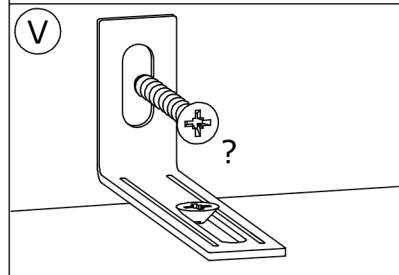
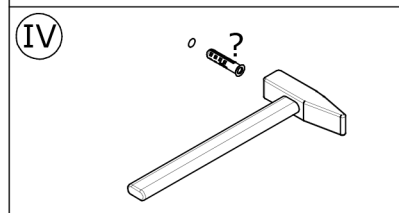
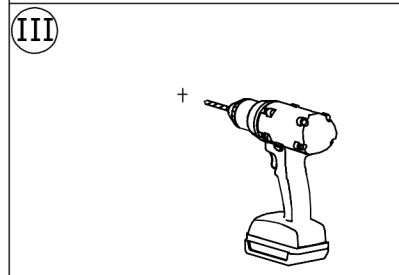
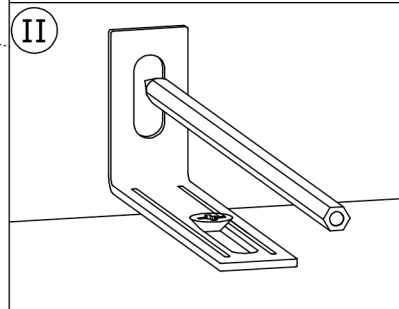
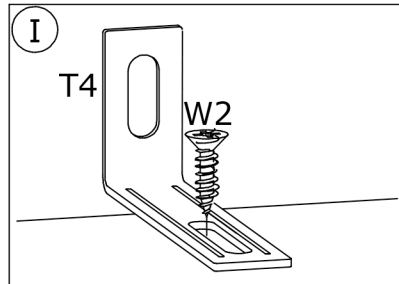
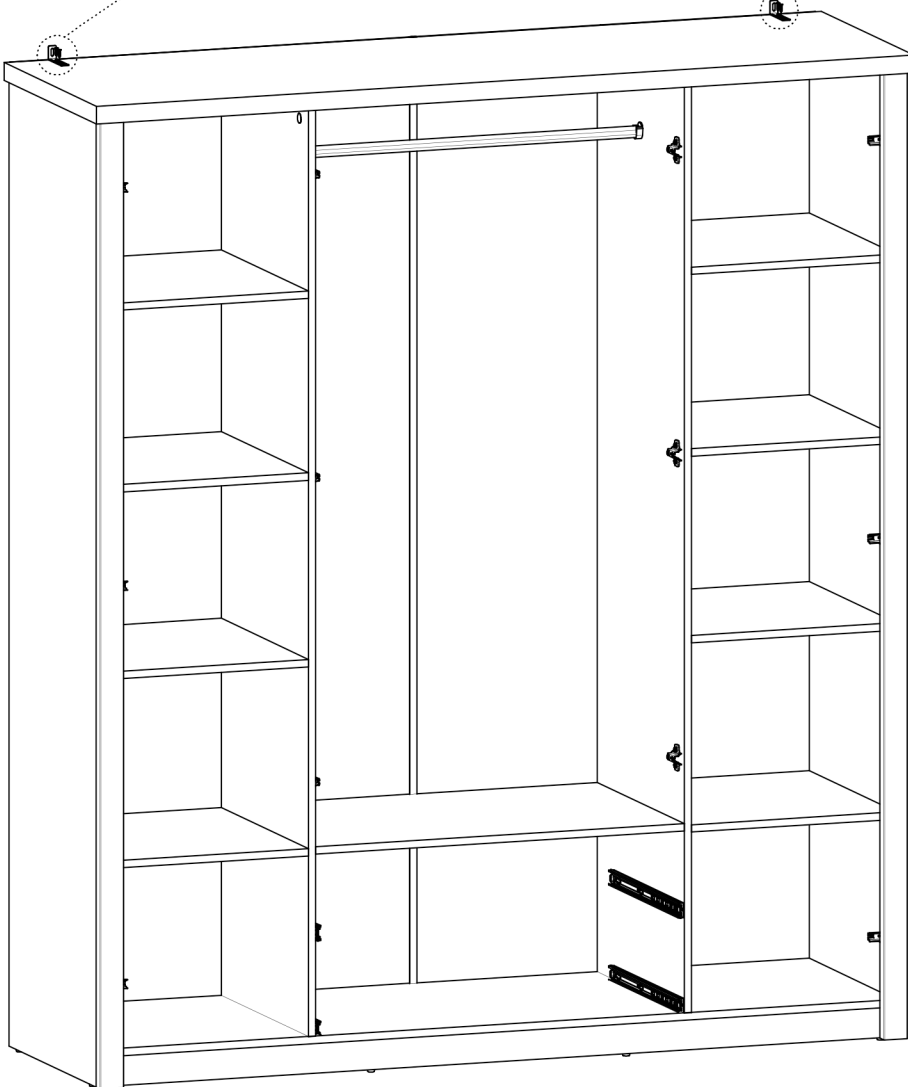
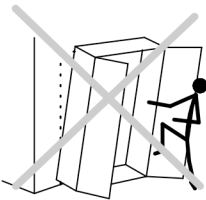
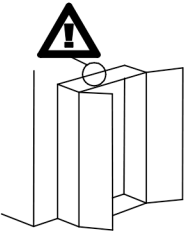
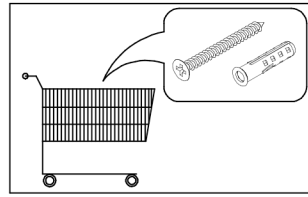
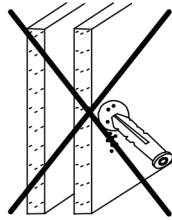
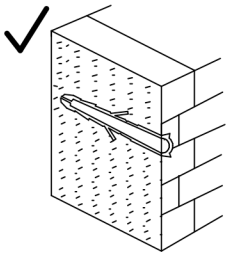
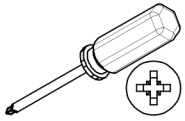
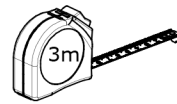
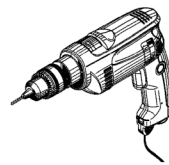


75x28x16 mm

W2 x4



Ø3,5x16mm



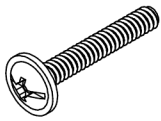
25

U1 x 2

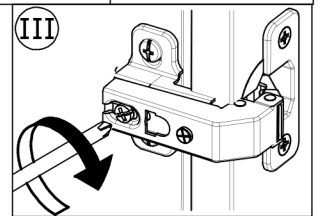
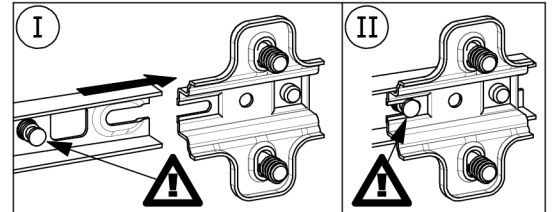
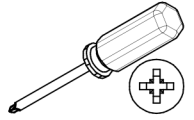
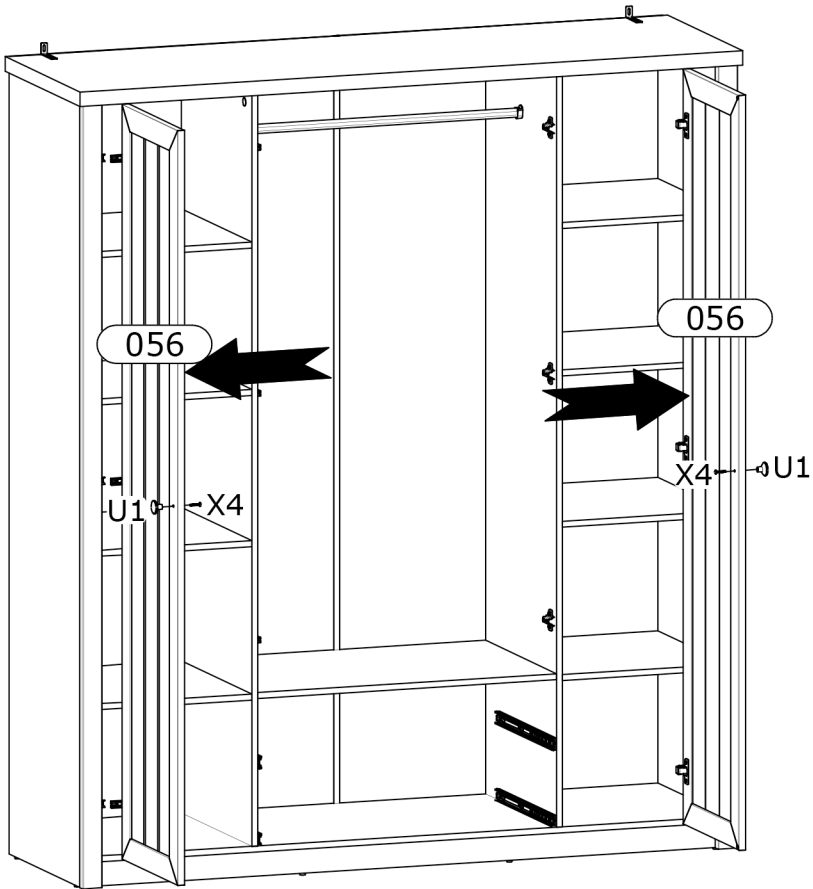
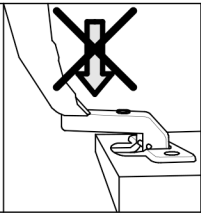
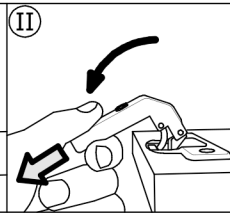
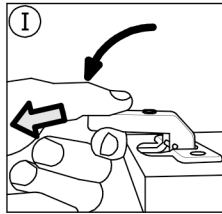


Ø33mm

X4 x 2



M4x25mm



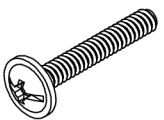
26

U1 x 2

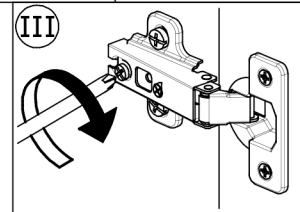
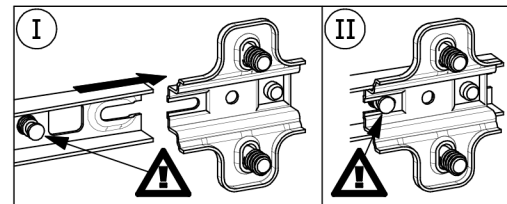
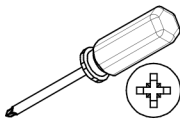
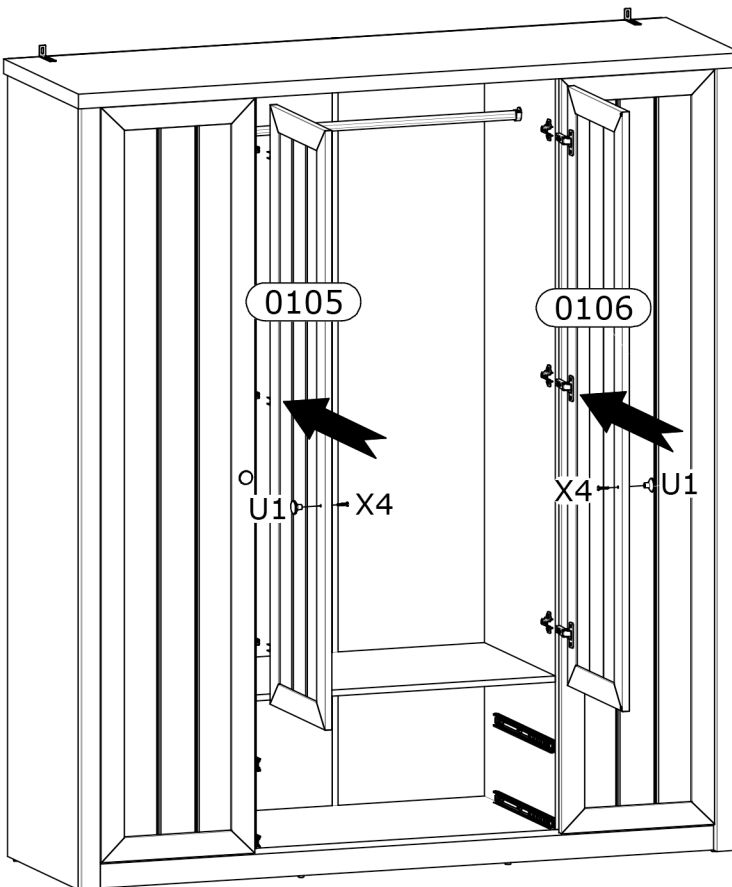


Ø33mm

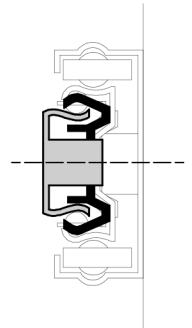
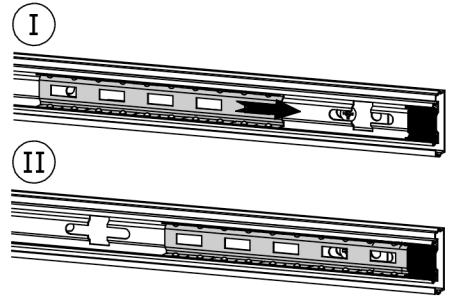
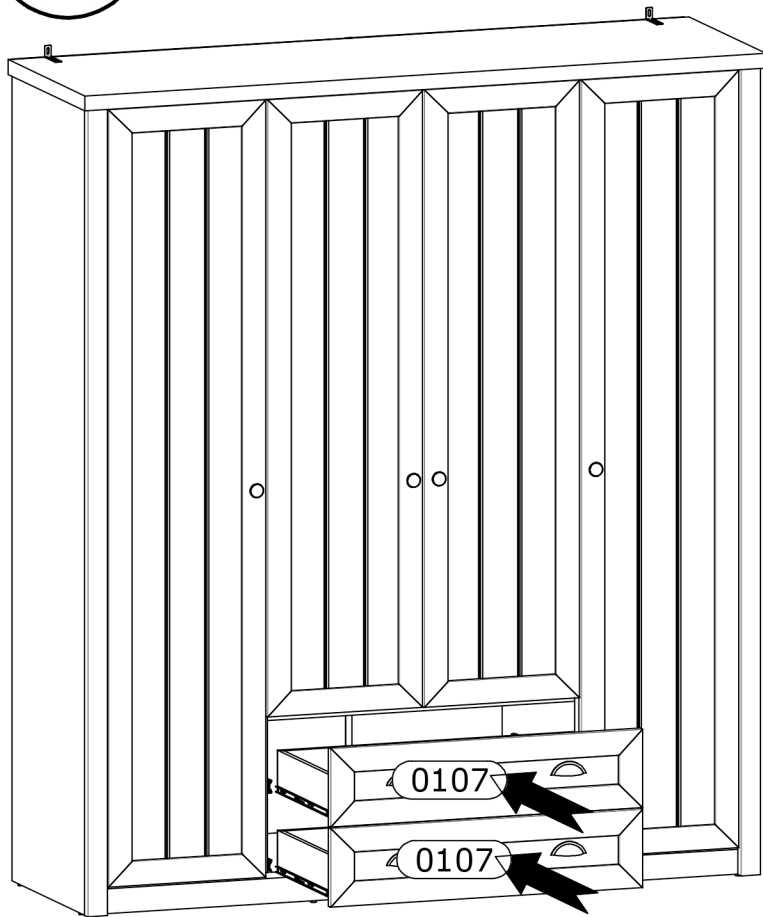
X4 x 2



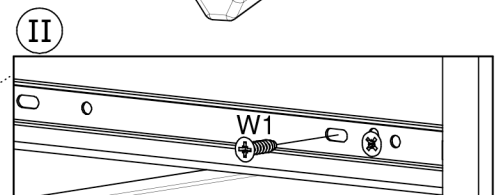
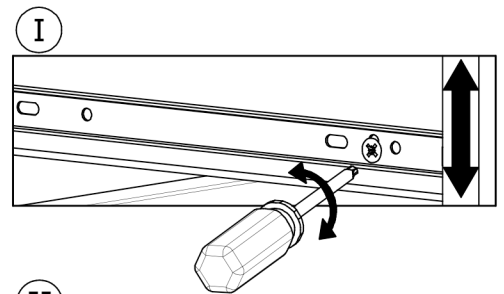
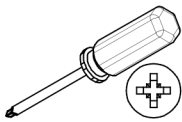
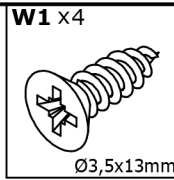
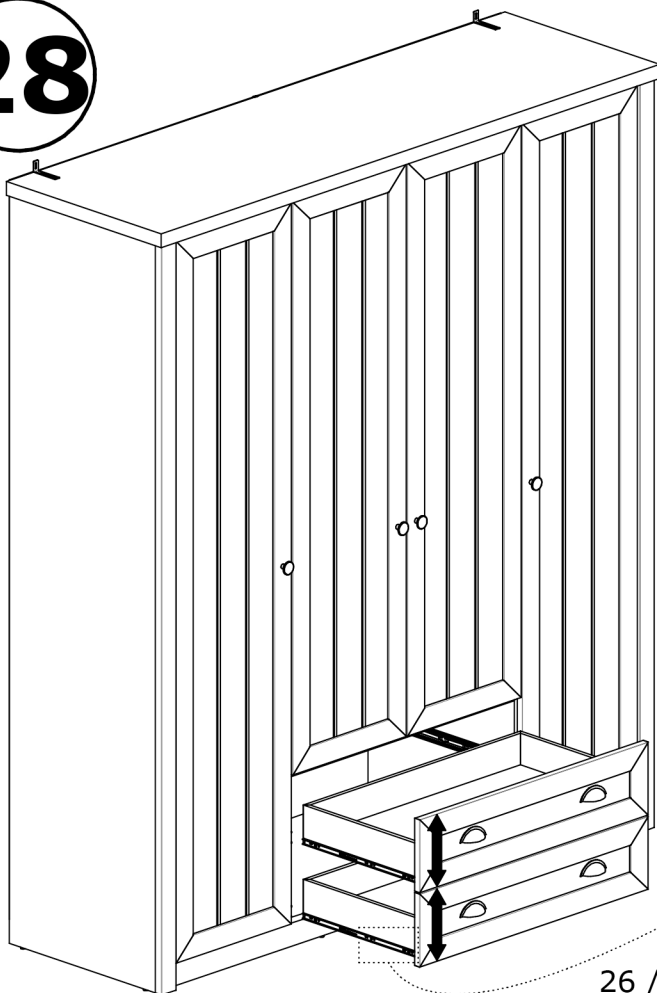
M4x25mm



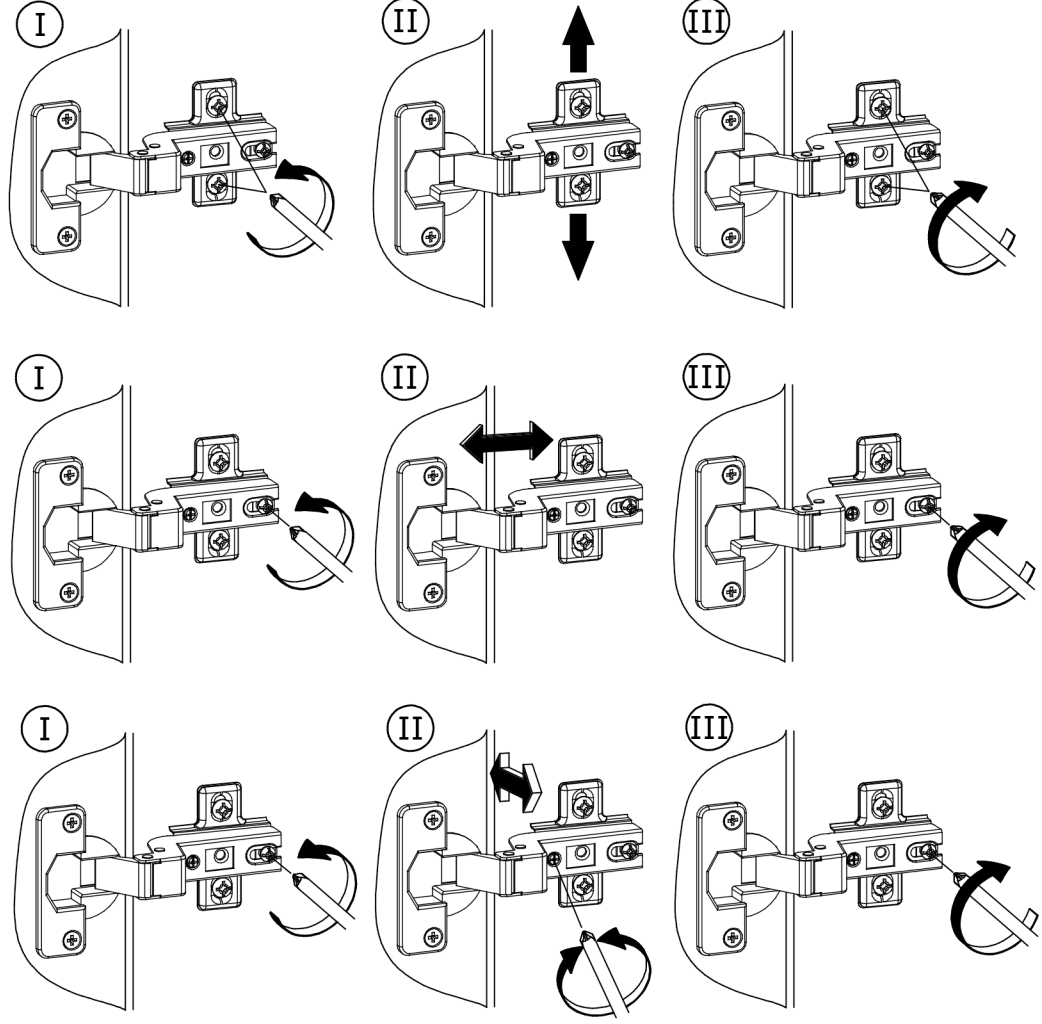
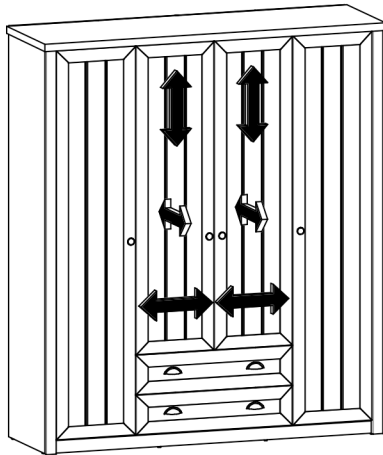
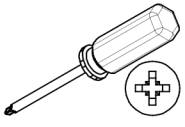
27



28



29



30

