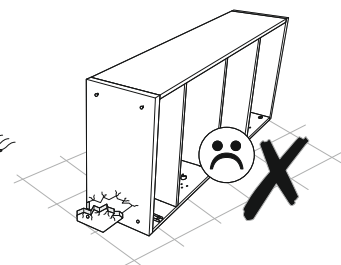
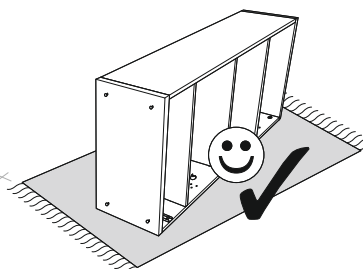
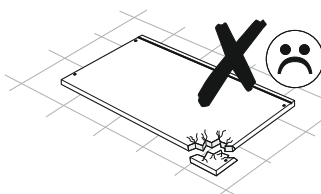
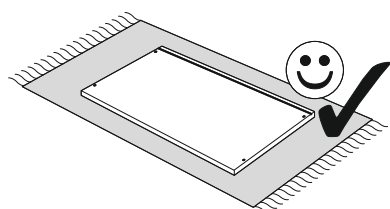
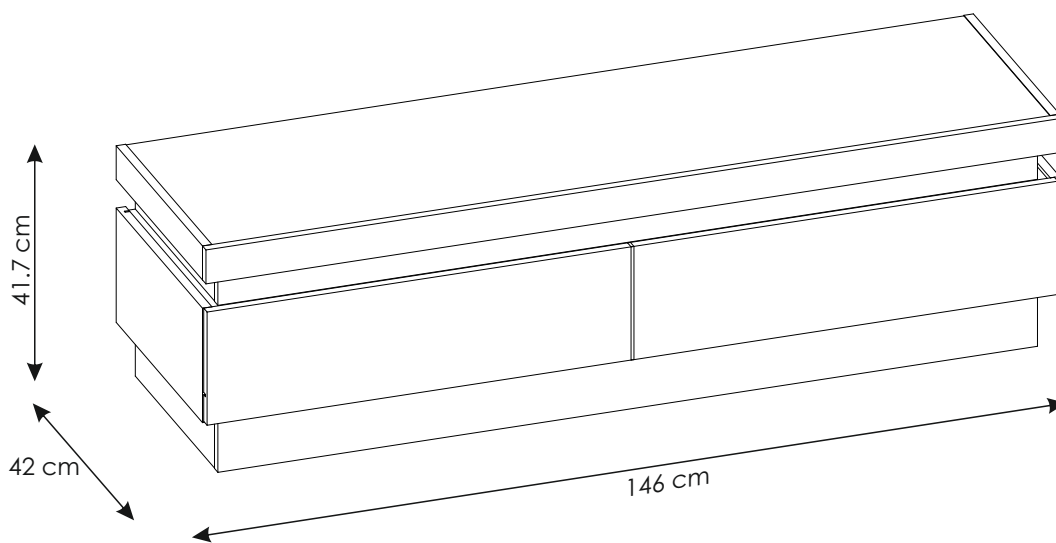
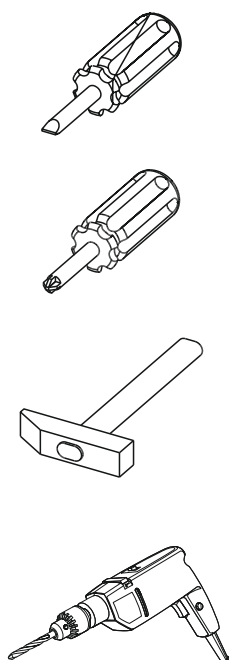
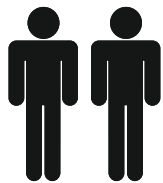
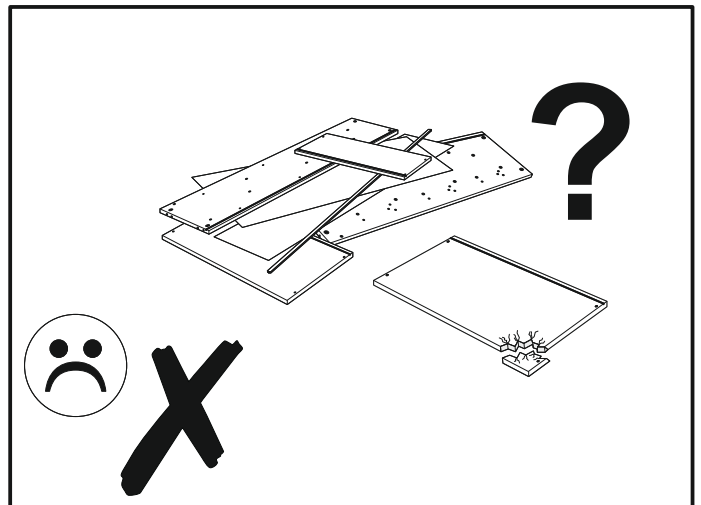
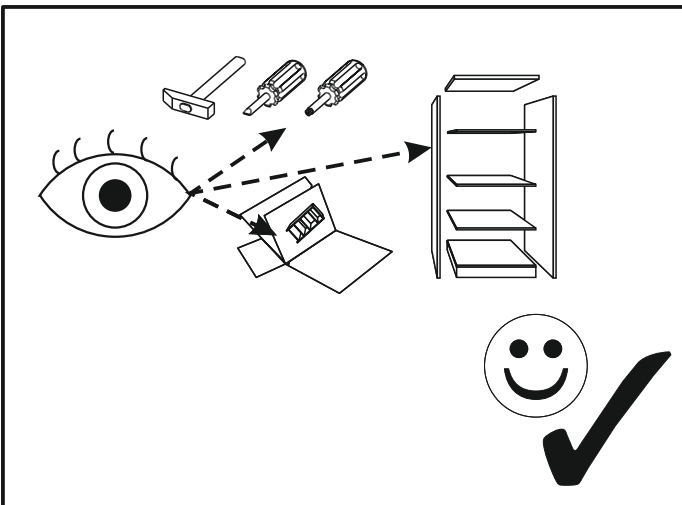
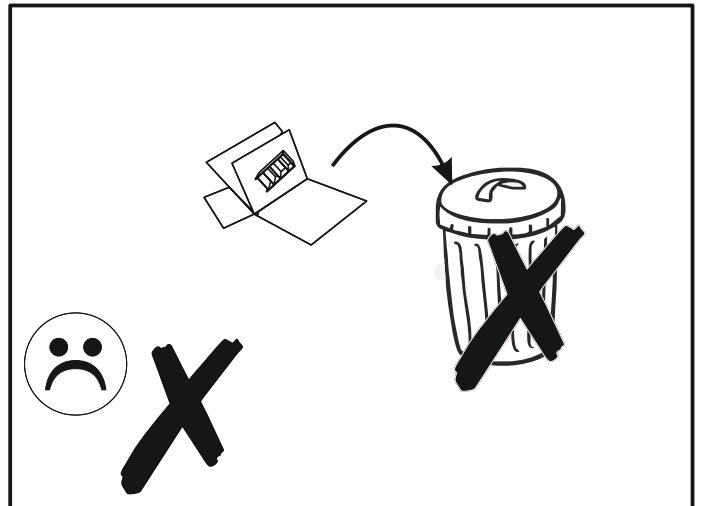
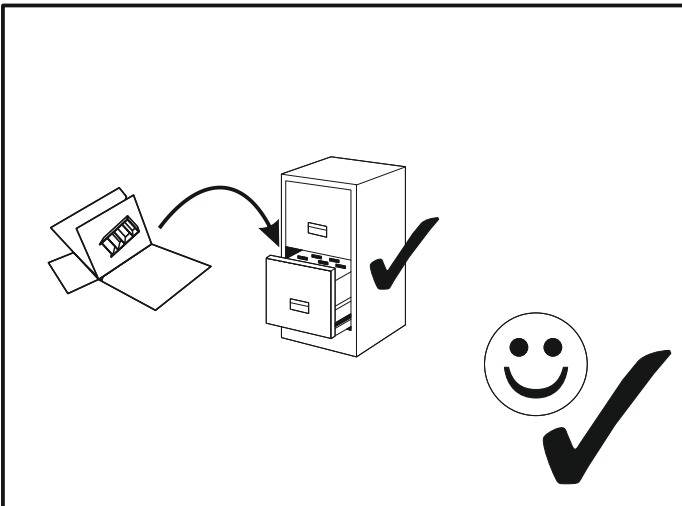
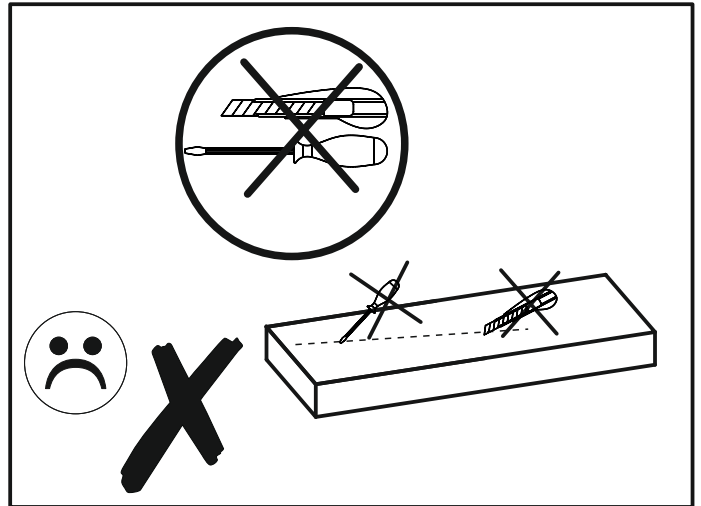
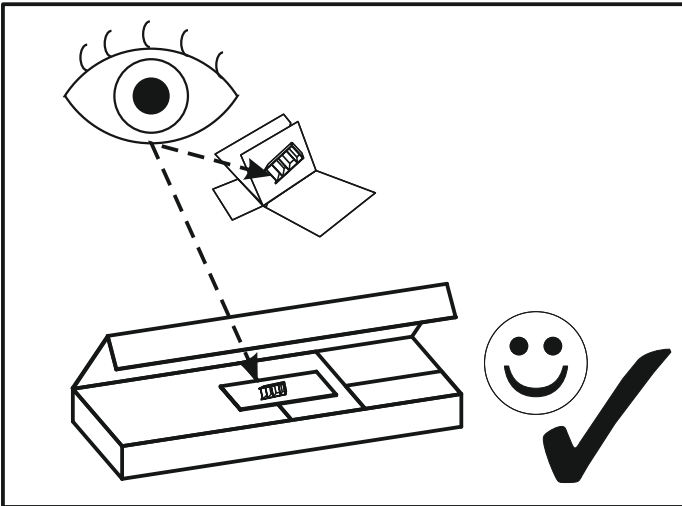
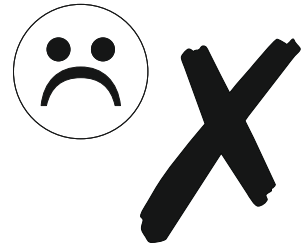
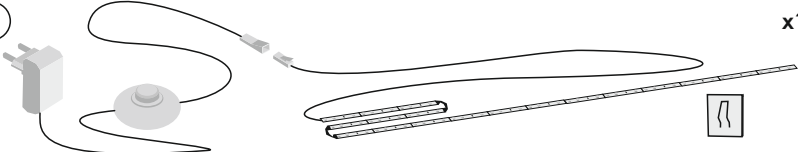


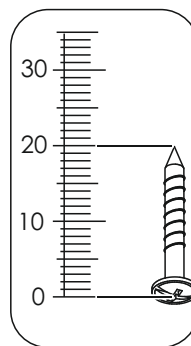
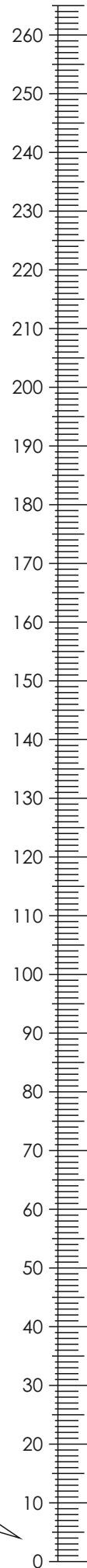
LEONARDO LYOF01

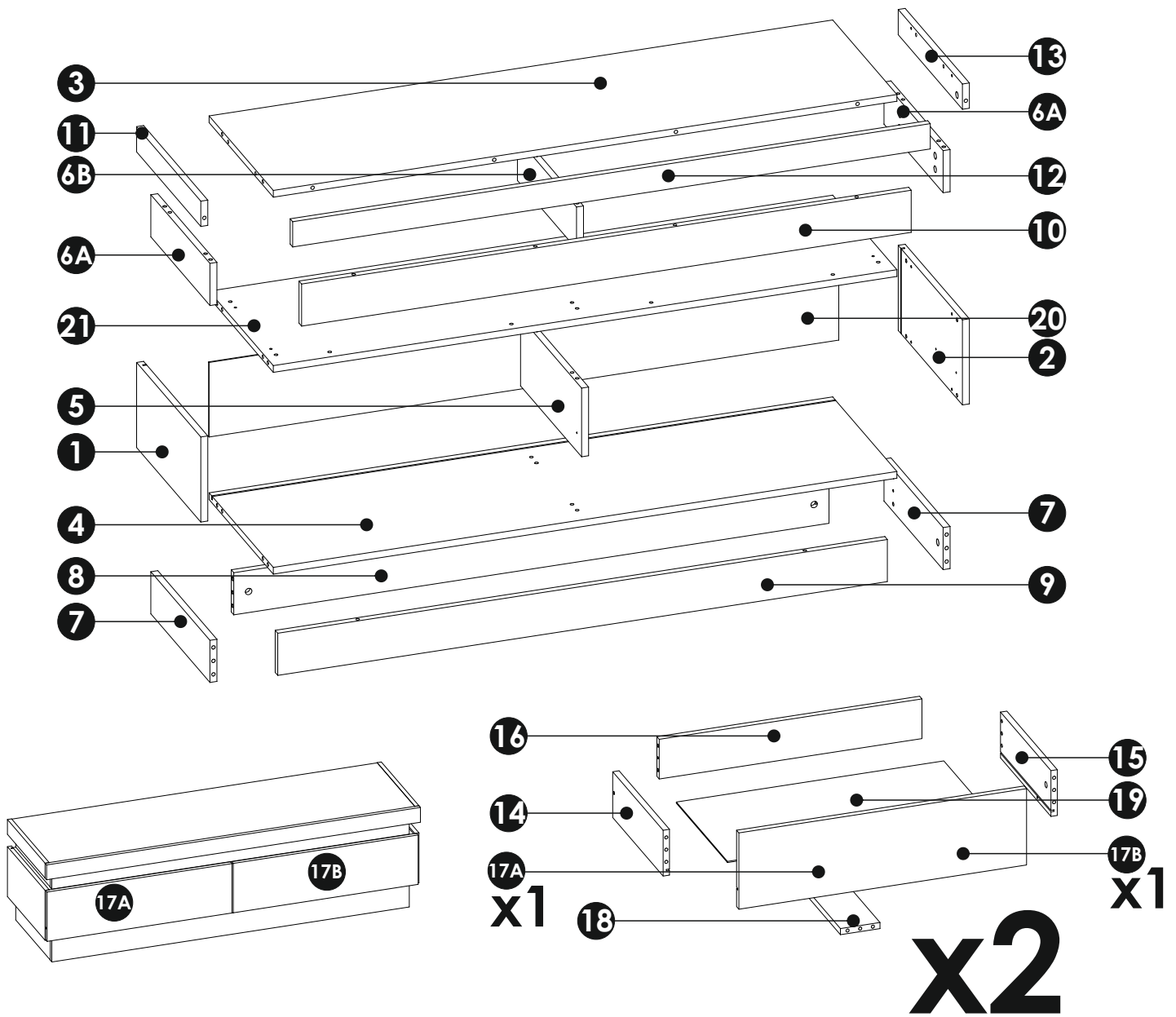




MM

A1	8 x 35 mm	x60	A3	8 x 60 mm	x2	C2	5 x 13 mm	x8
E0		x34	E1	15 x 12 mm	x46	F1	6 x 34 mm	x42
F4	7 x 70 mm	x2	G0		x6	G1	7 x 50 mm	x6
I2	4 x 16 mm	x2	J10	3,5 x 40 mm	x4	M		x1
L						N1	3 X 16 mm	x15
N2	3,5 X 16 mm	x20	O2		x8	Q9		x2
R4		x10	S13		x2	T10		x2
W		x10	Z		x1			

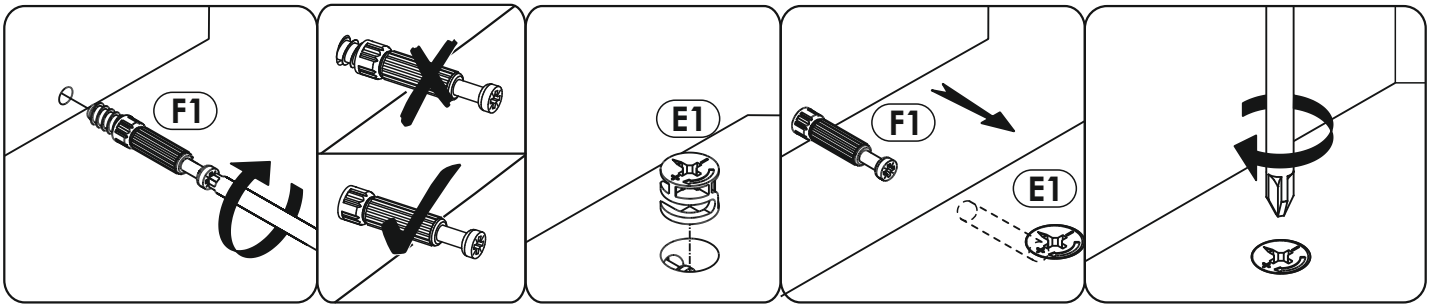




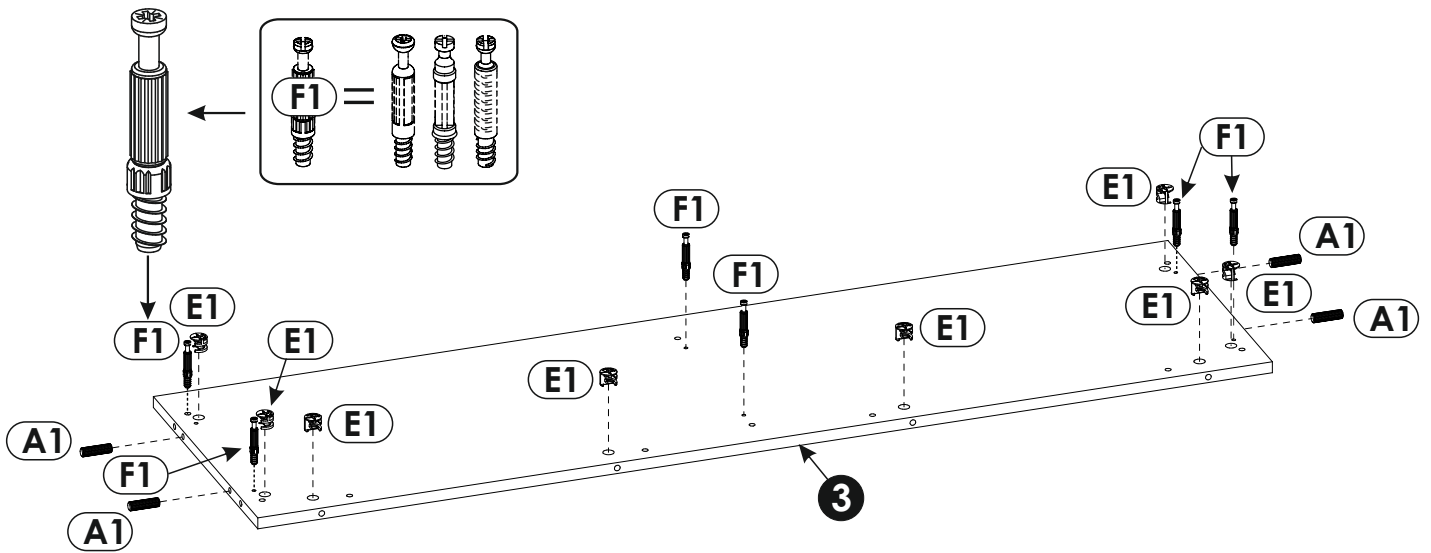
1	202	404	16 x1	1/2
2	202	404	16 x1	1/2
3	1428	404	6 x1	2/2
4	1428	404	6 x1	2/2
5	163	384	6 x1	1/2
6A 6B	372	100	6 x3	1/2
7	372	100	6 x2	1/2

8	1363	100	6 x1	2/2
9	1396	100	6 x1	2/2
10	1396	100	6 x1	2/2
11	404	60	6 x1	1/2
12	1460	60	6 x1	2/2
13	404	60	6 x1	1/2
14	350	120	6 x2	1/2

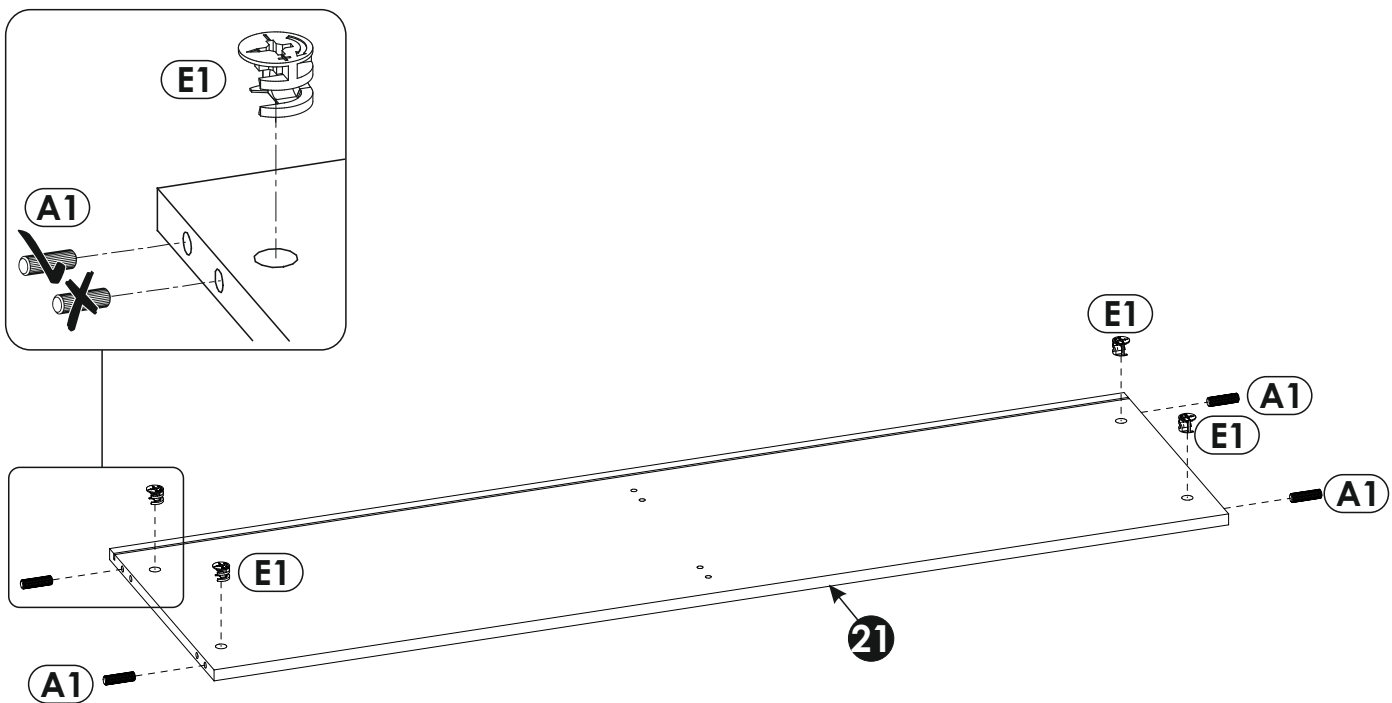
15	350	120	6 x2	1/2
16	664	104	6 x2	1/2
17A 17B	727	200	6 x2	1/2
18	350	100	6 x2	1/2
19	676	355	3	x2 1/2
20	1442	177	3	x1 2/2
21	1428	404	6 x1	2/2



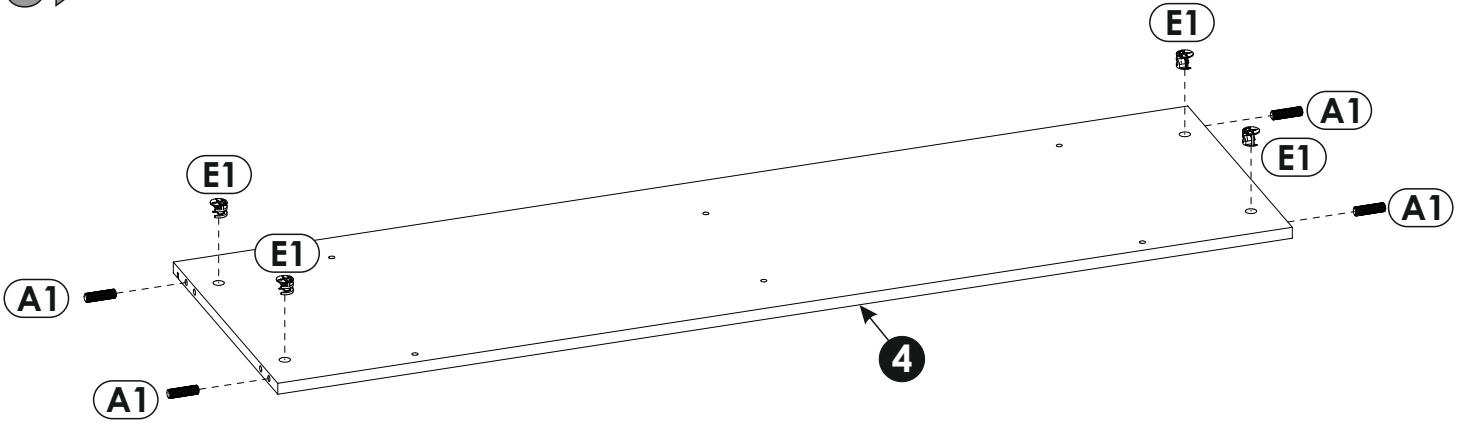
1 ▶



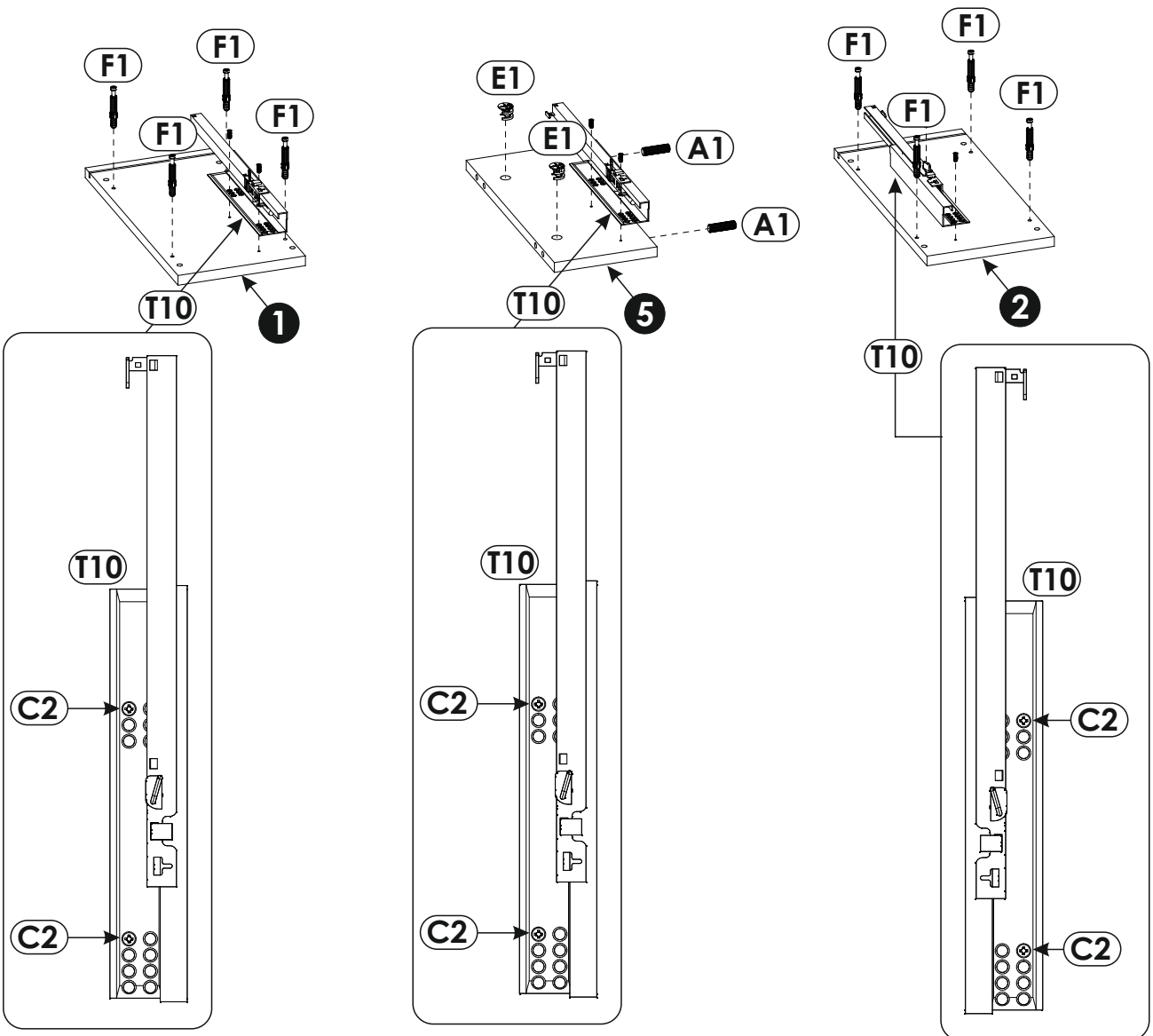
2 ▶



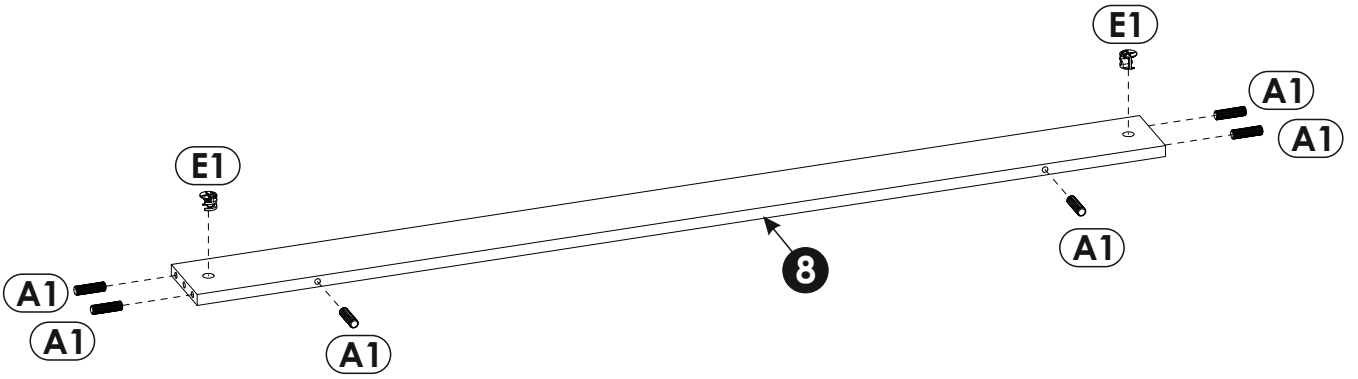
3 ▶



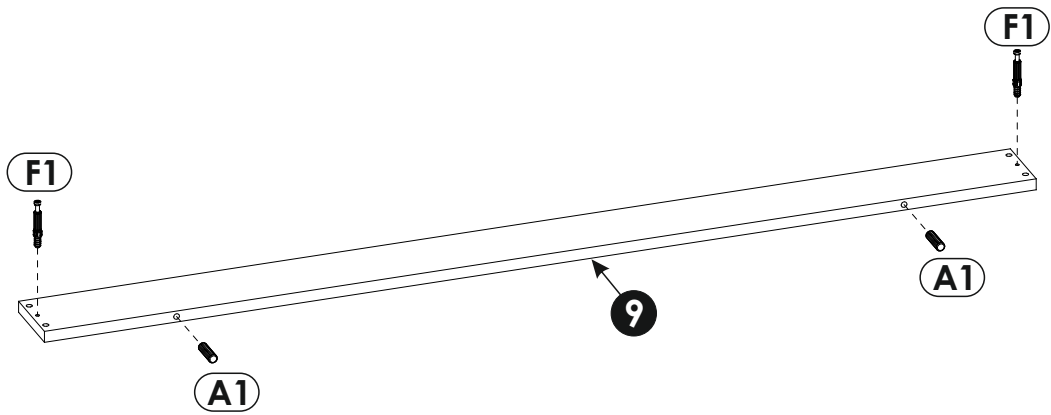
4 ▶



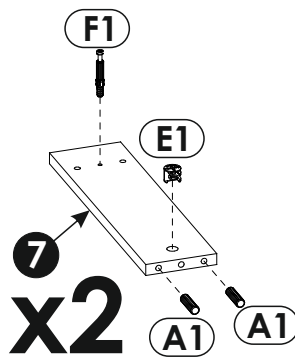
5▶



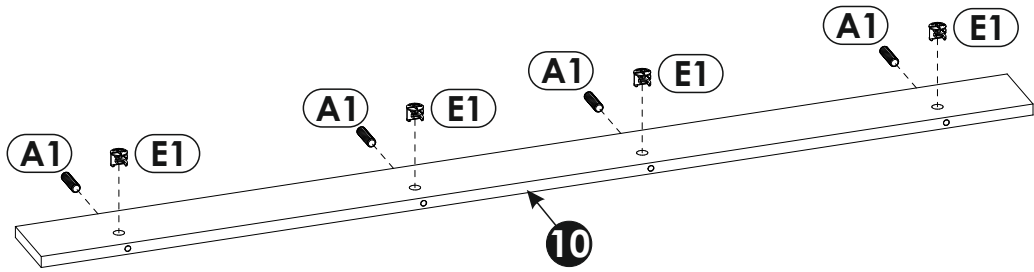
6▶



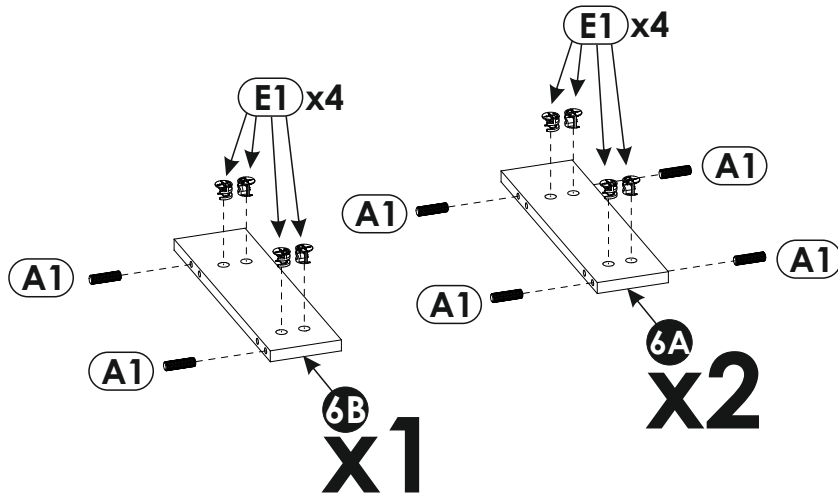
7▶



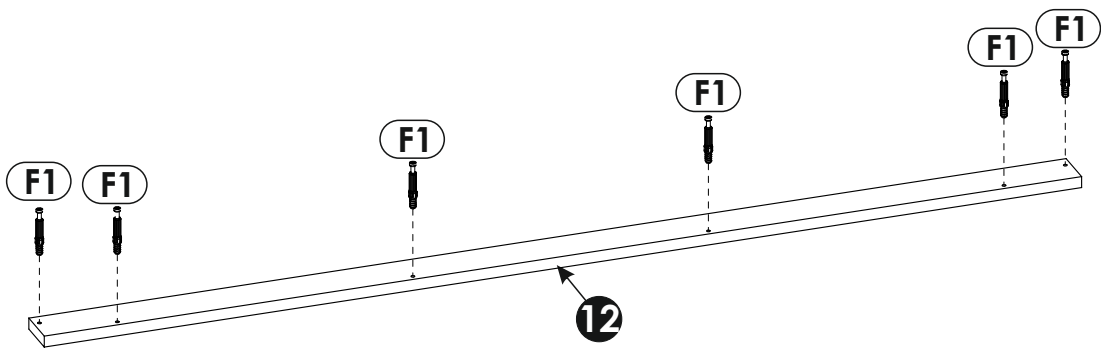
8 ▶



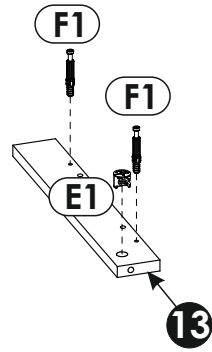
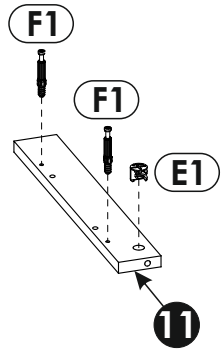
9 ▶



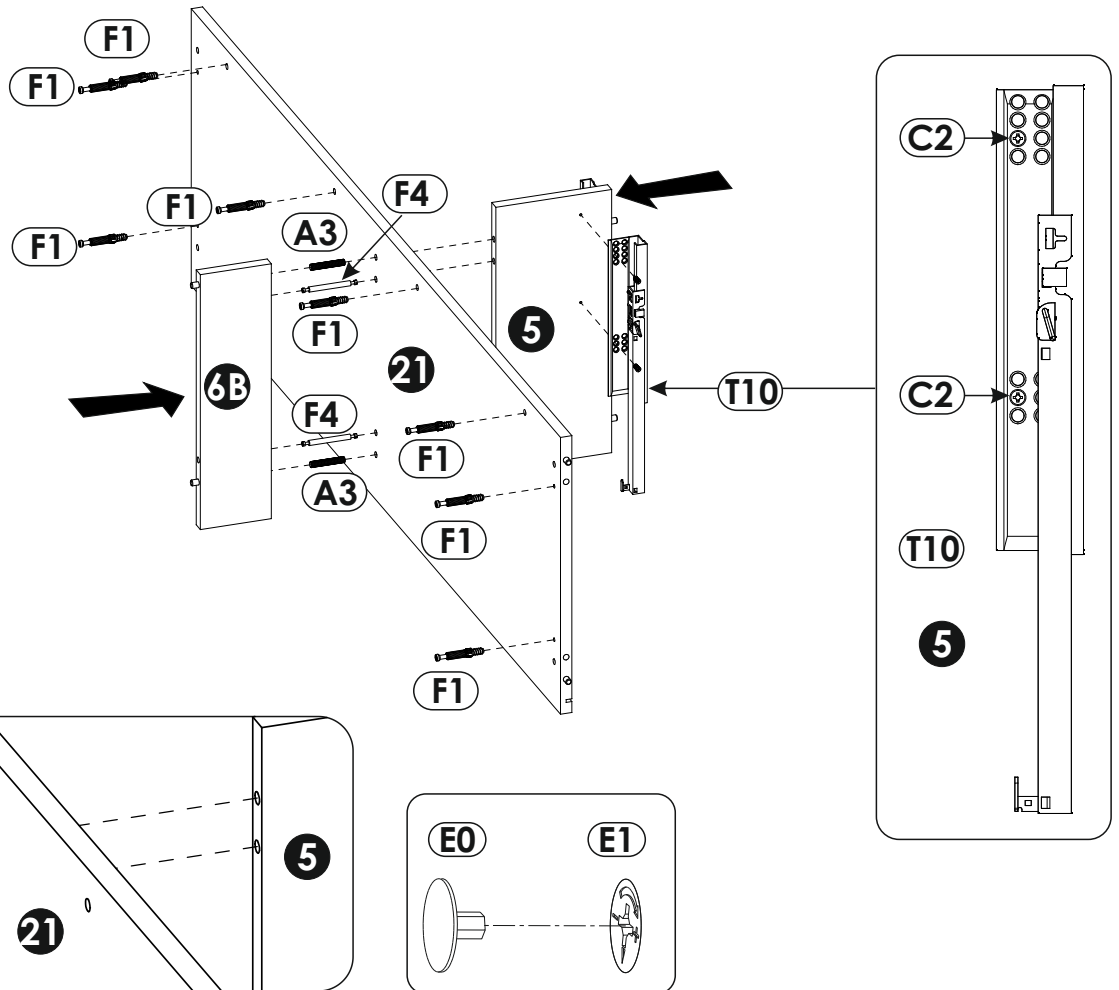
10 ▶



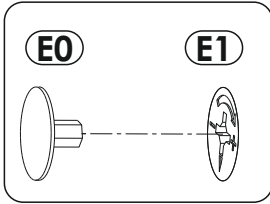
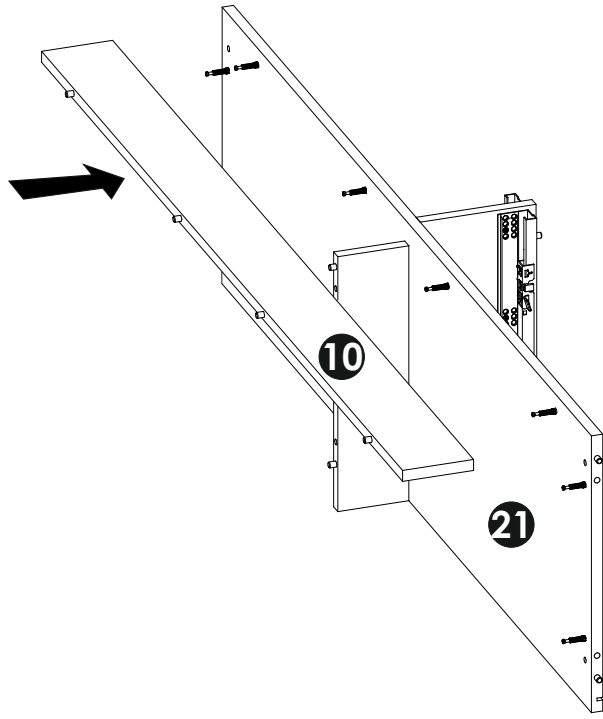
11 ▶



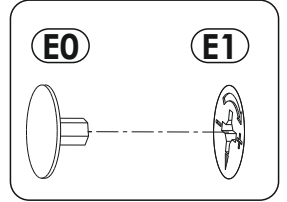
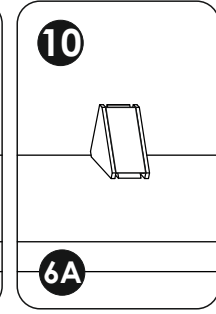
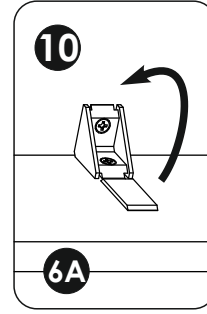
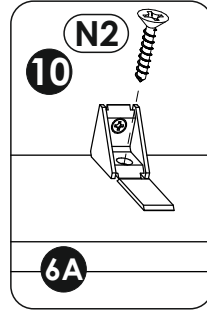
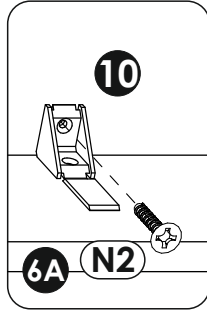
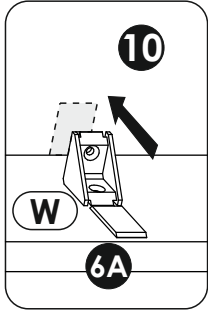
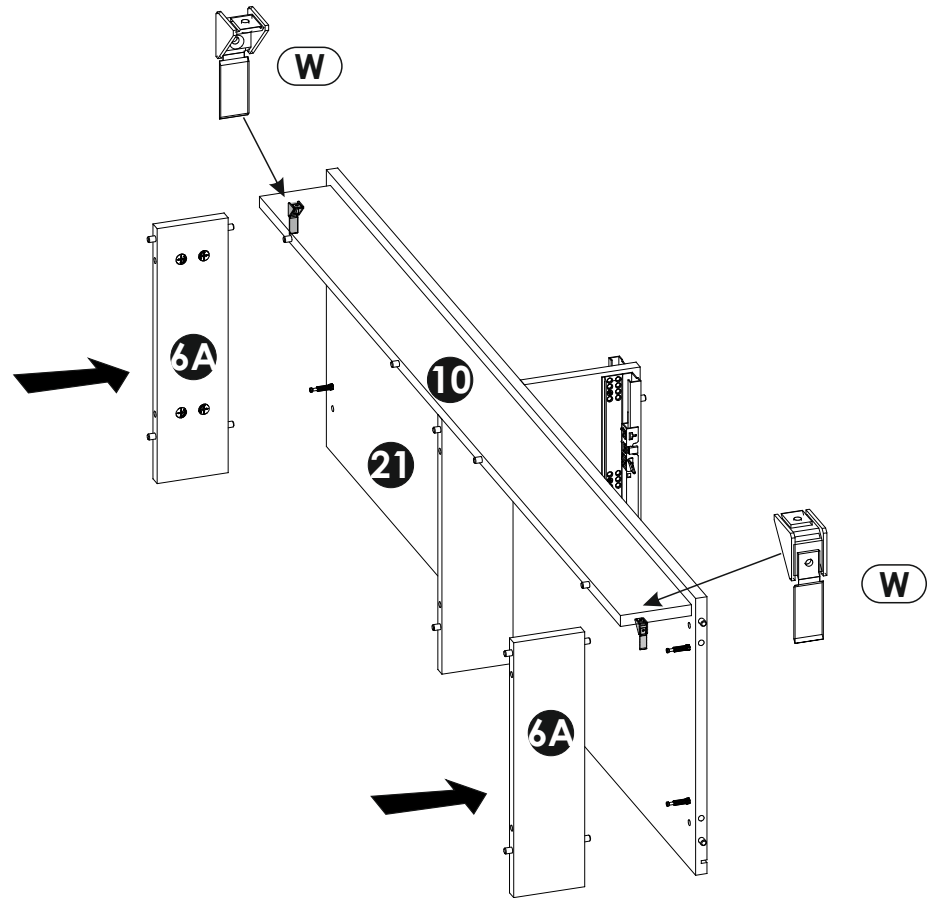
12 ▶



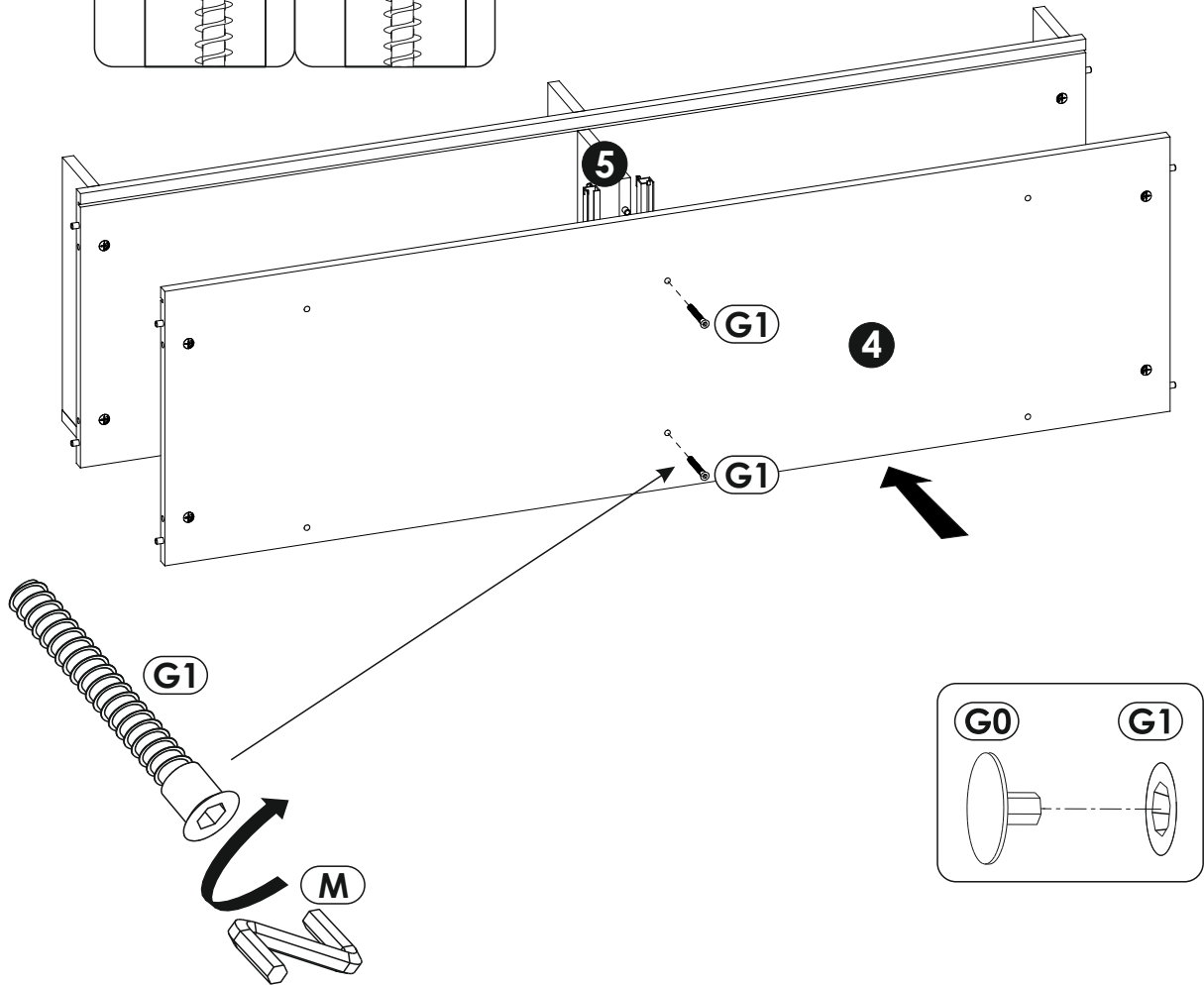
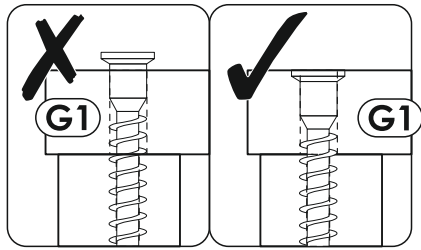
13 ▶



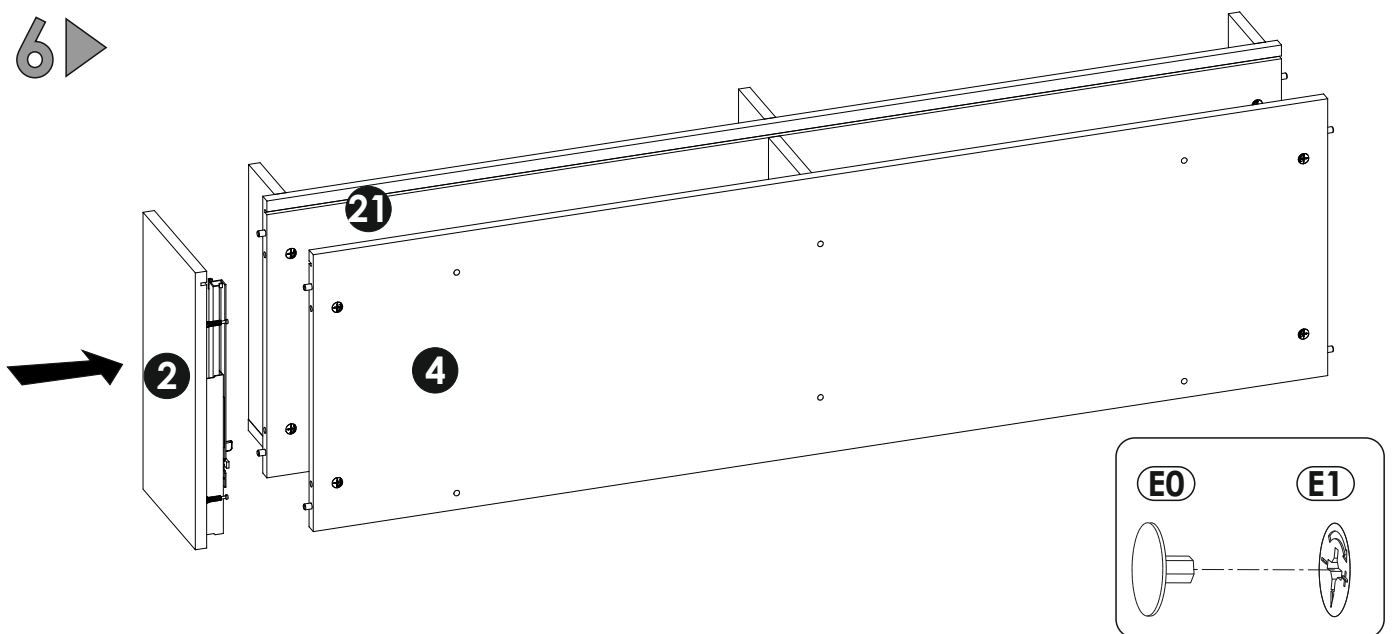
14 ▶



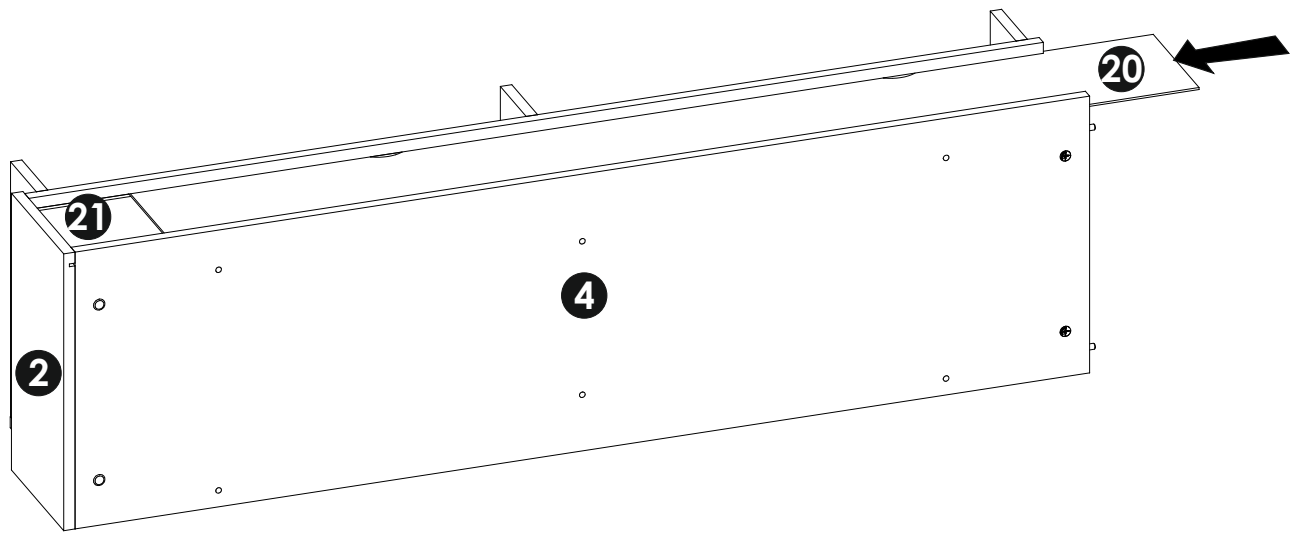
15▶



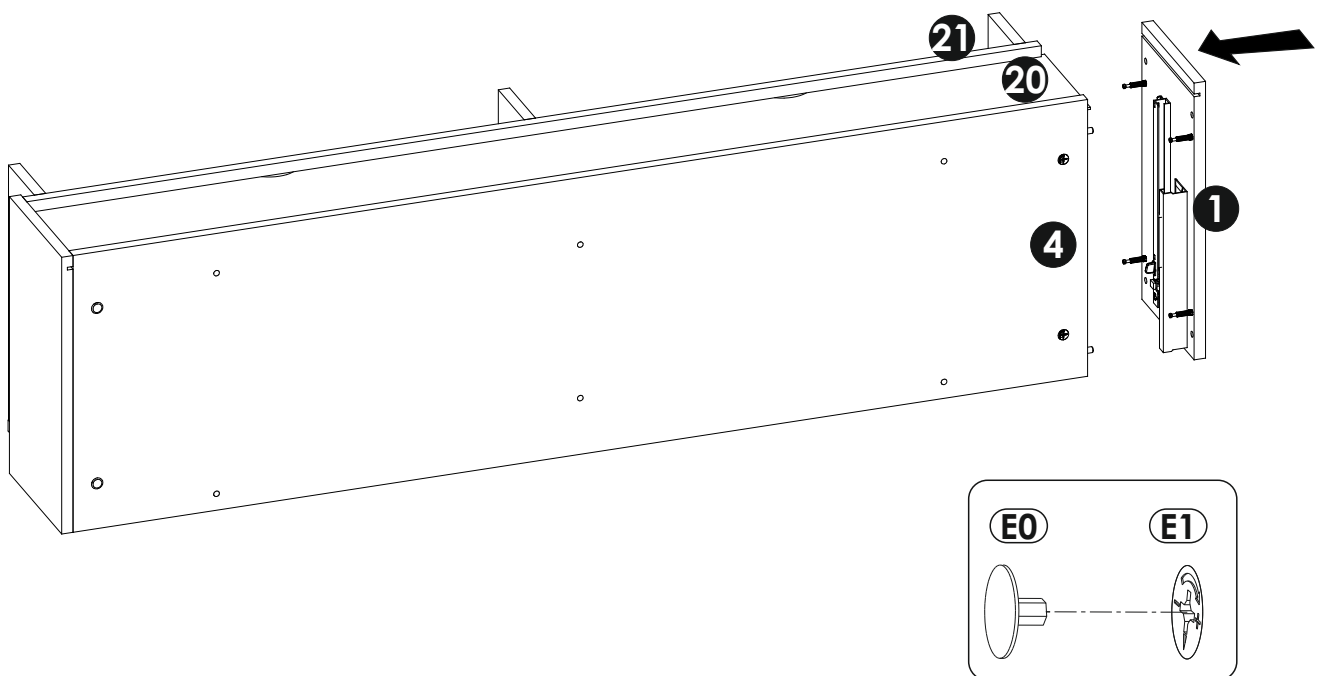
16▶



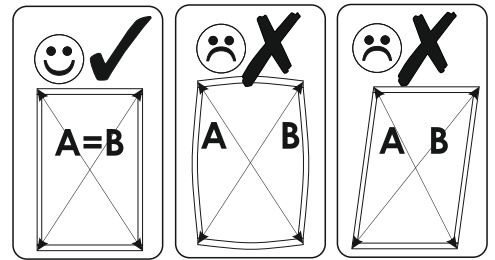
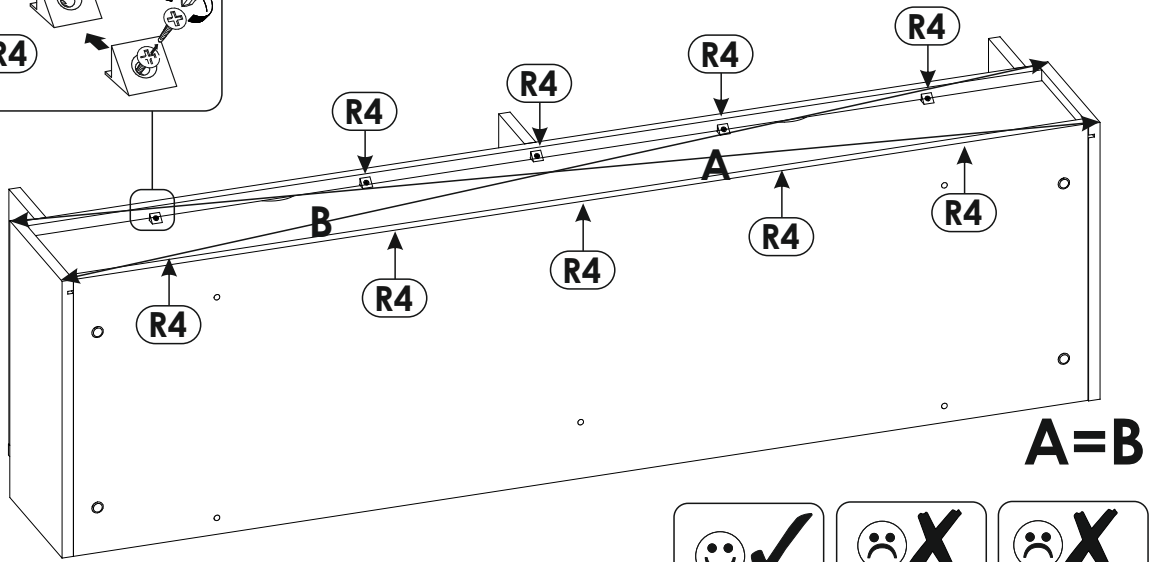
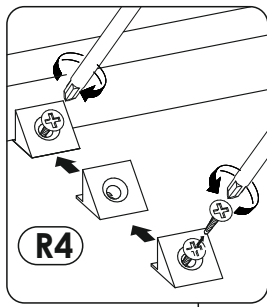
17▶



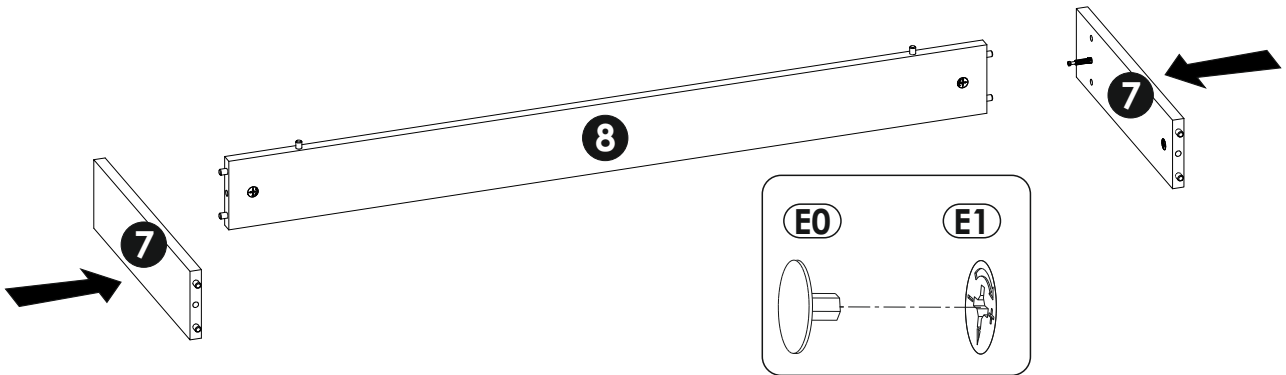
18▶



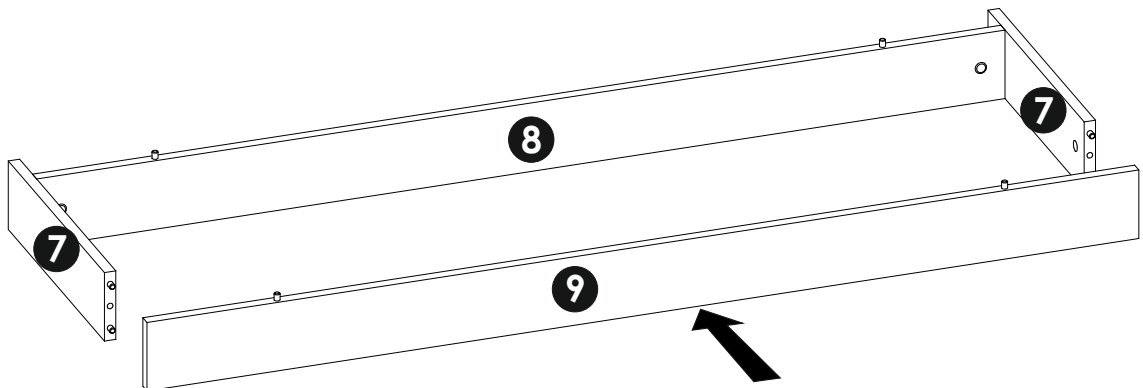
19 ▶



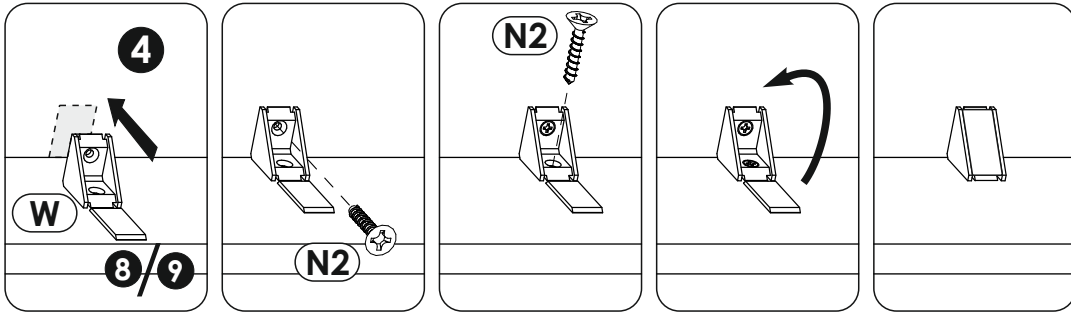
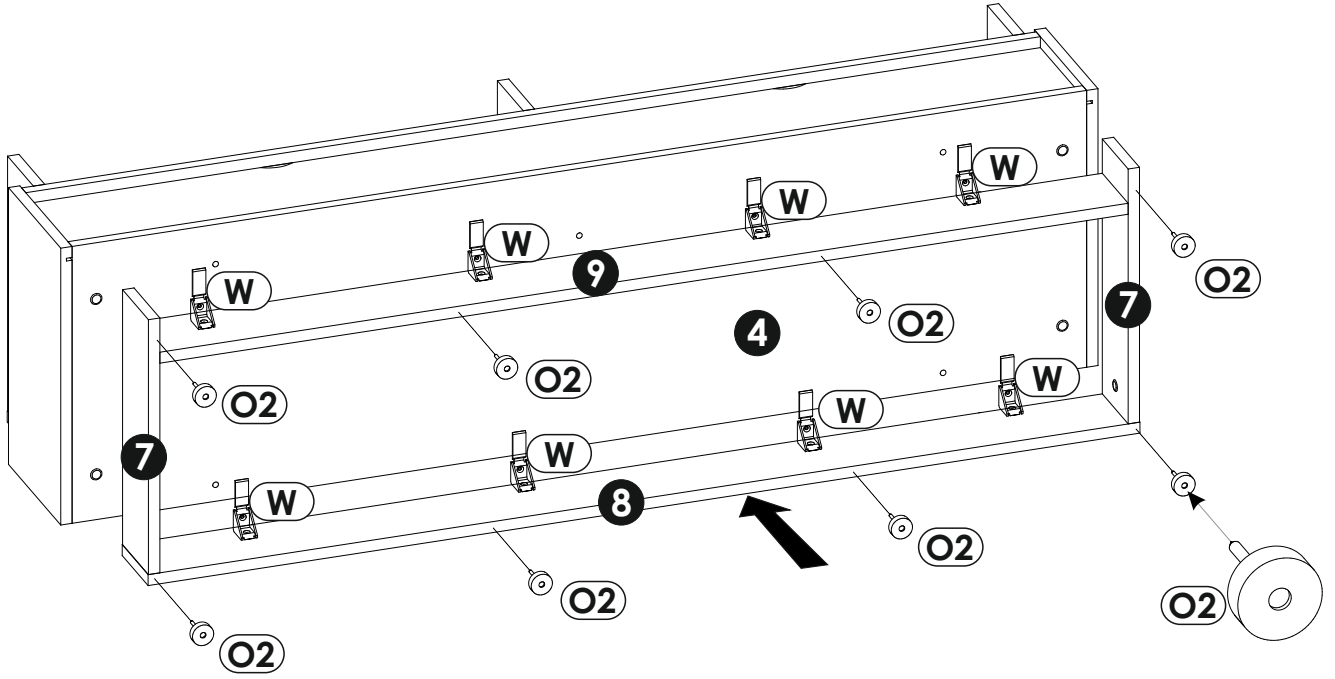
20 ▶



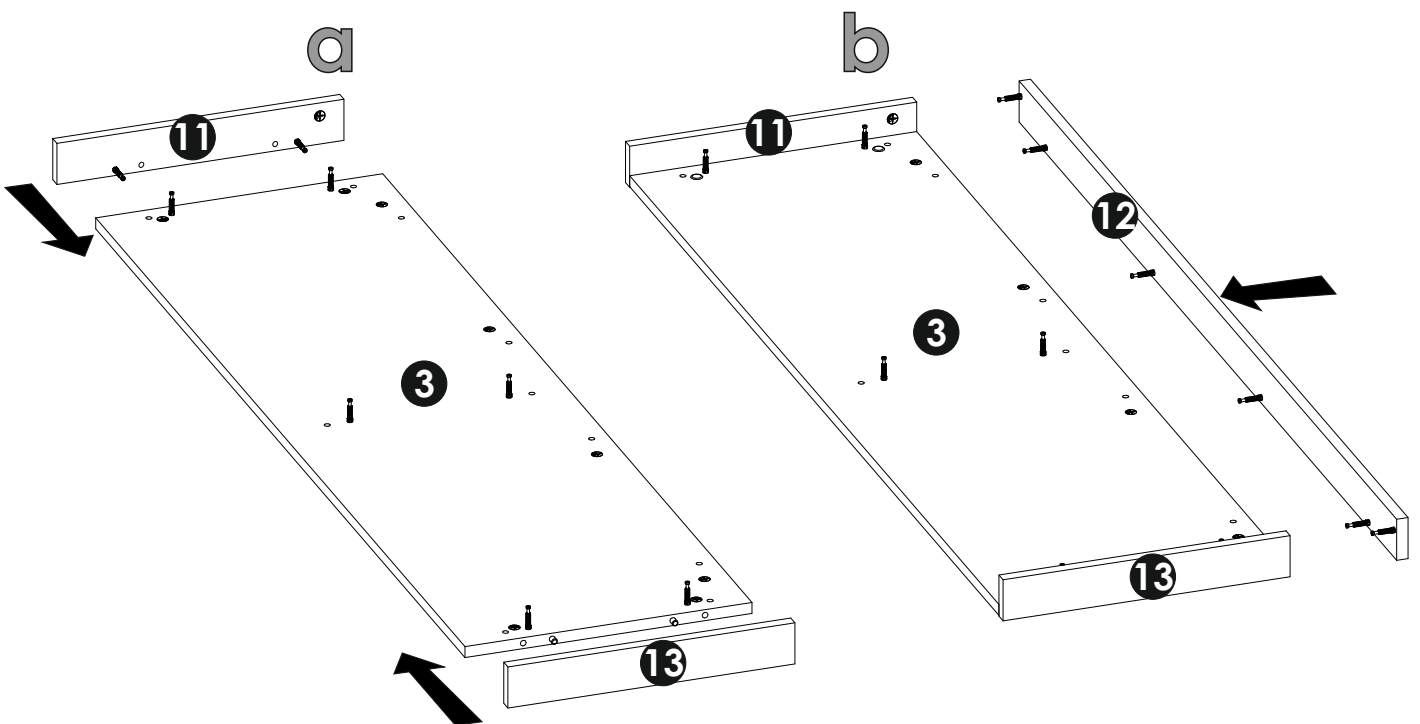
21 ▶



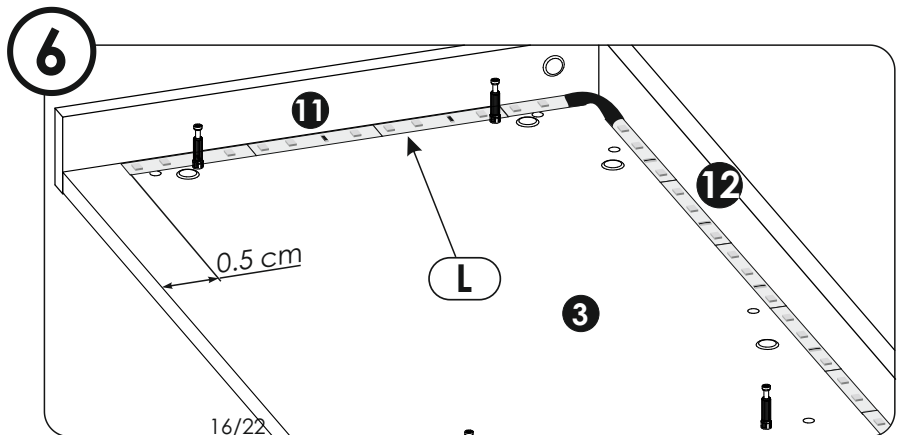
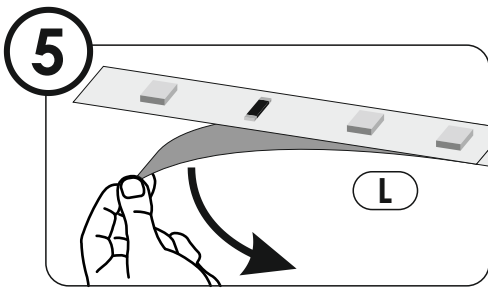
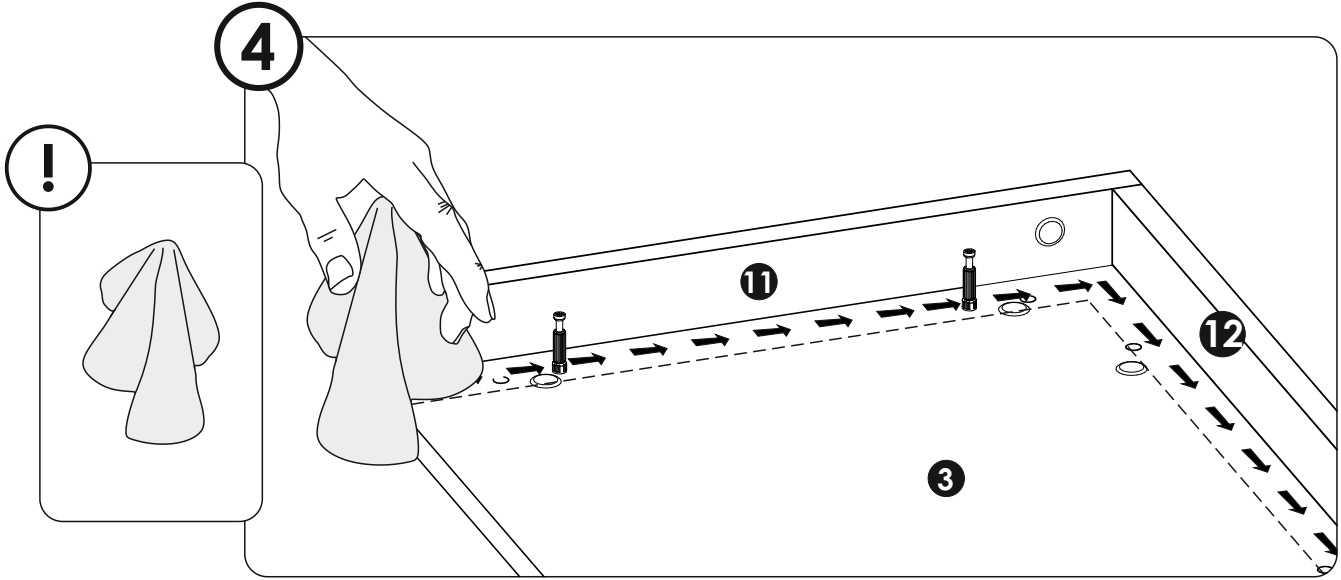
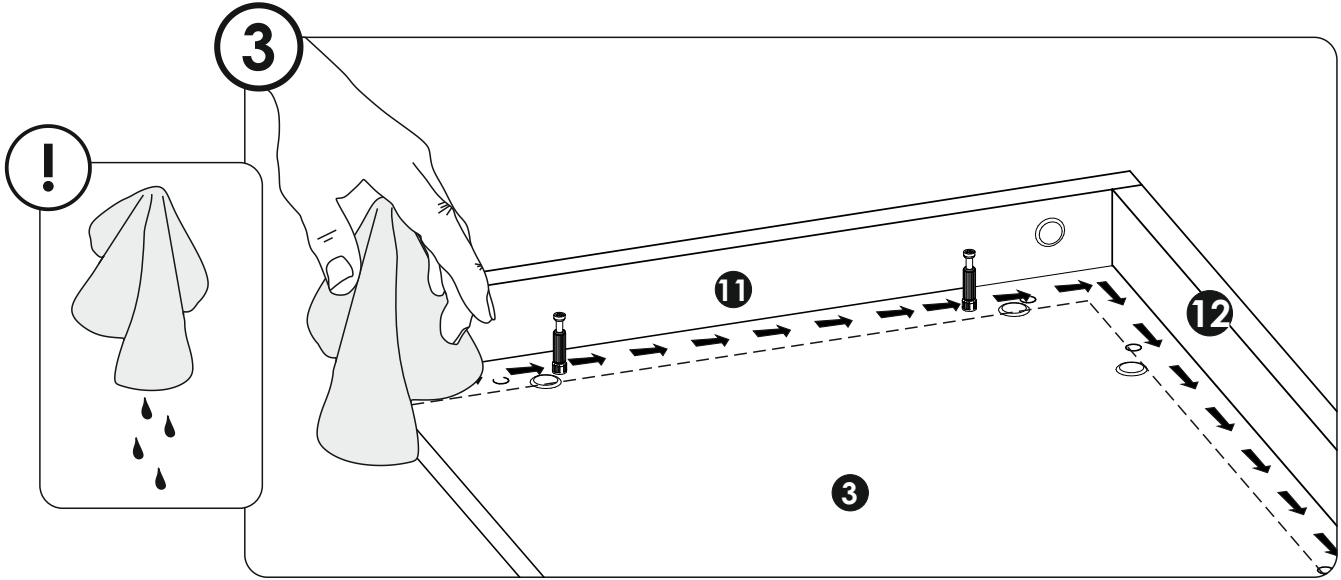
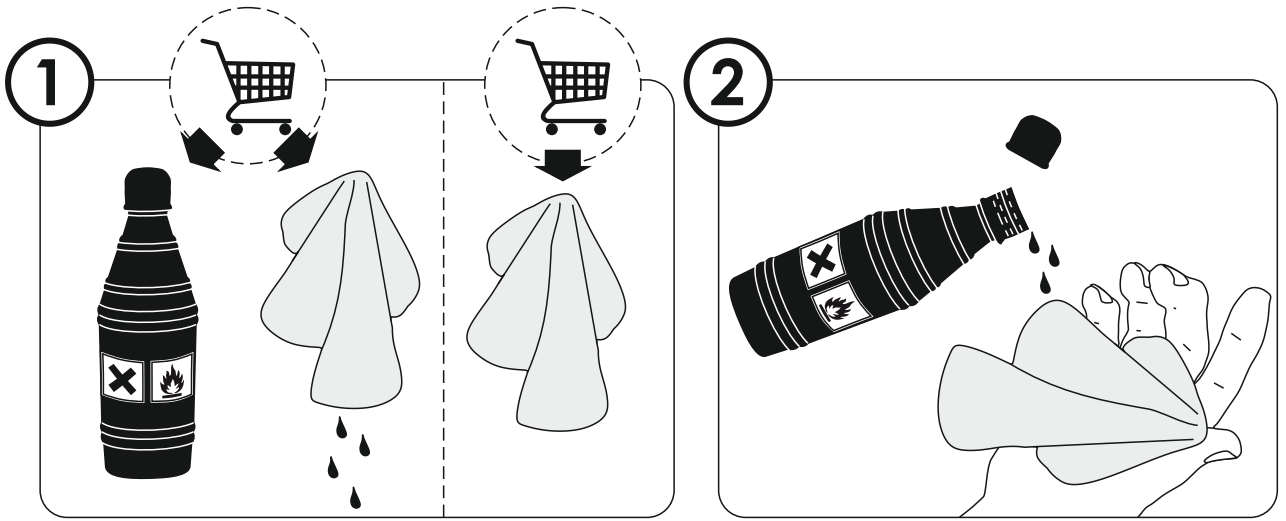
22 ▶



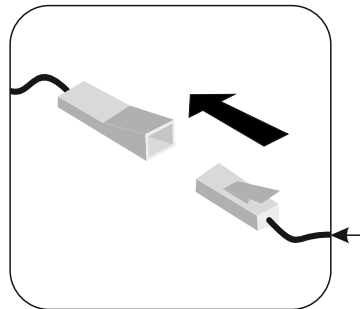
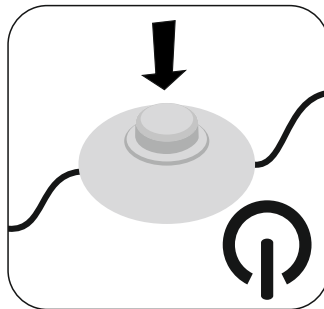
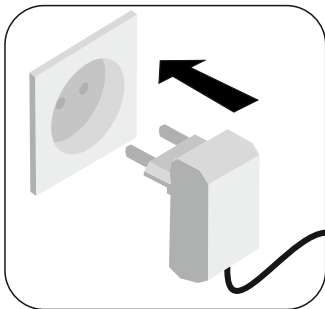
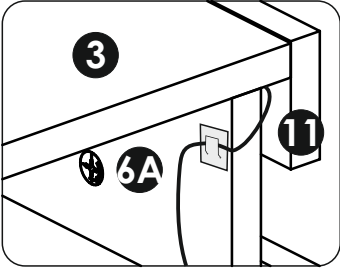
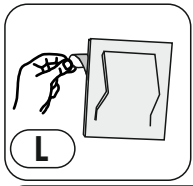
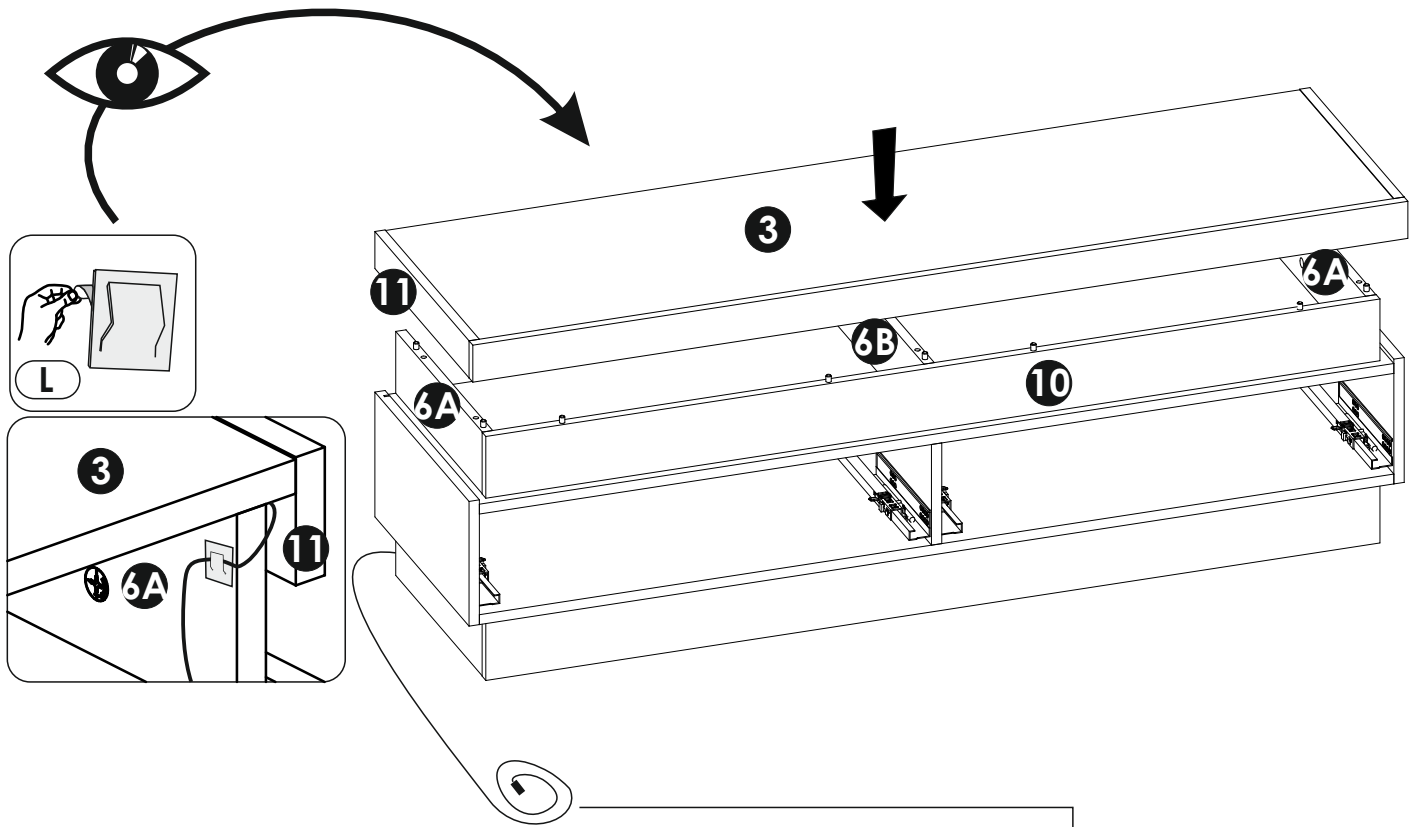
23 ▶



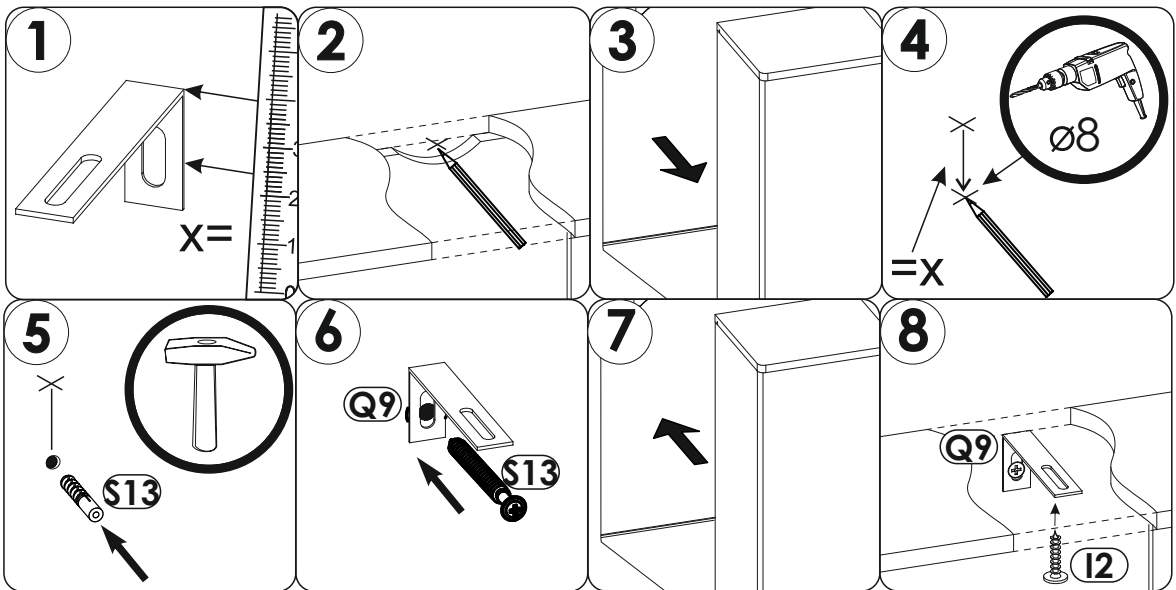
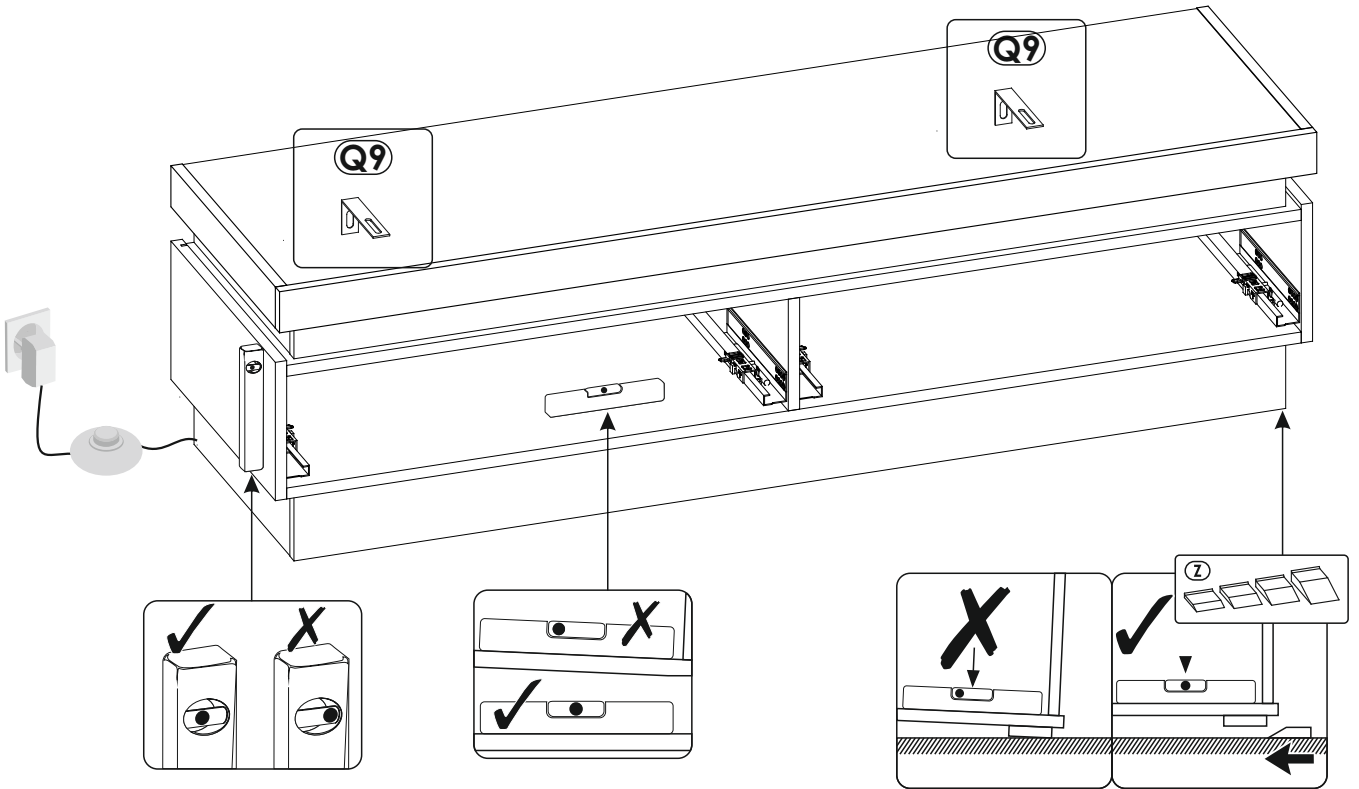
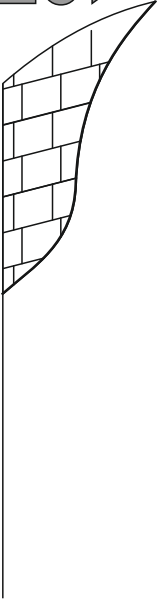
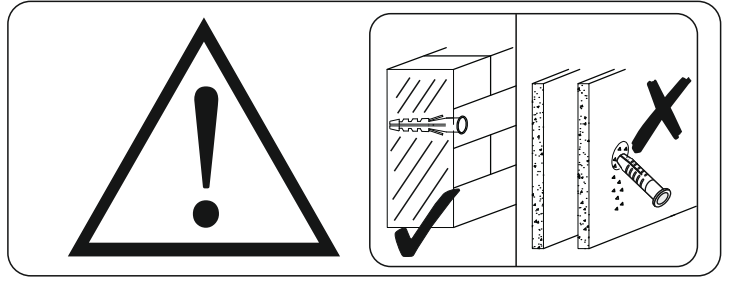
24 ▶



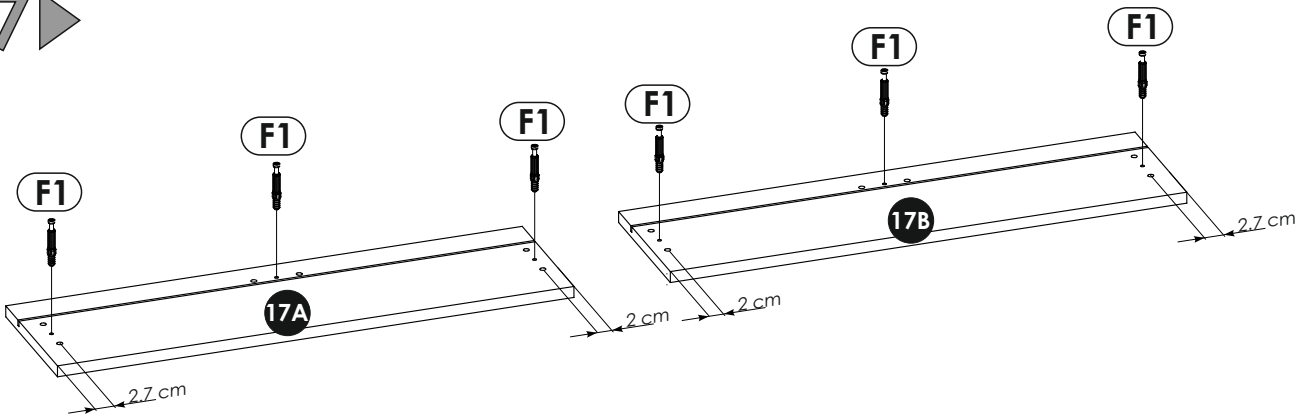
25 ▶



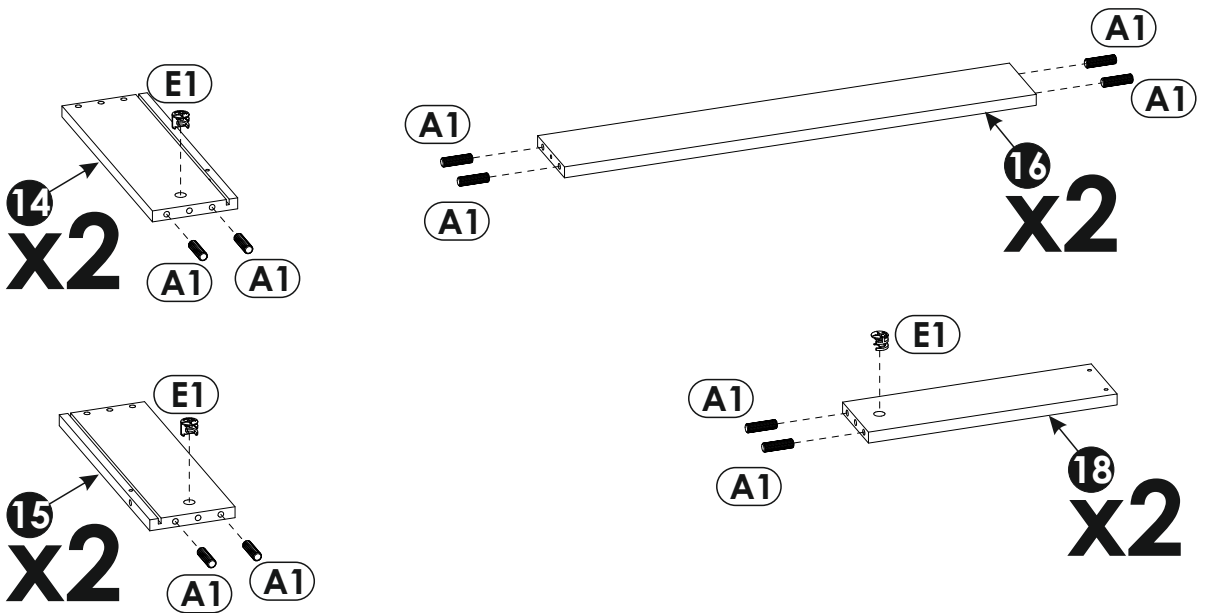
26 ▶



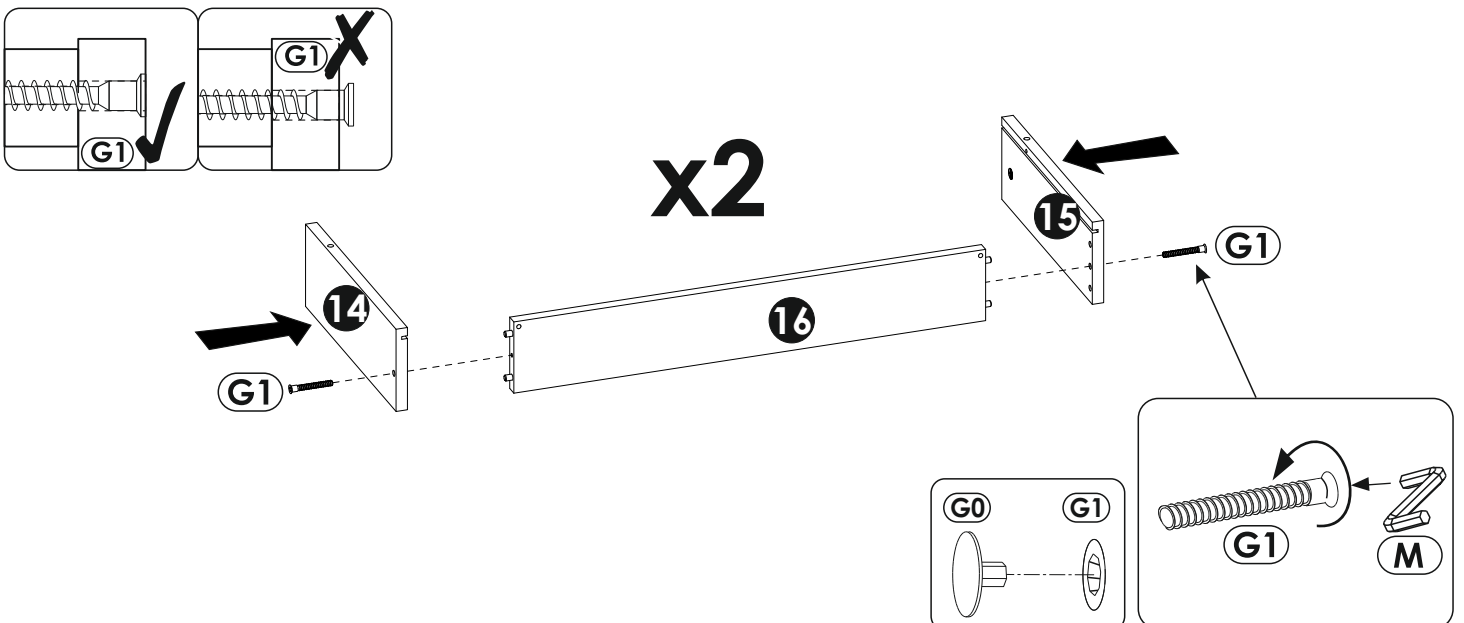
27▶



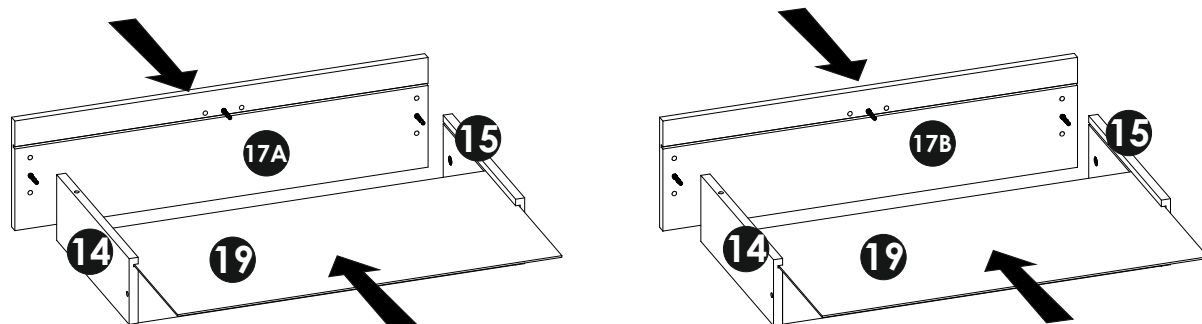
28▶



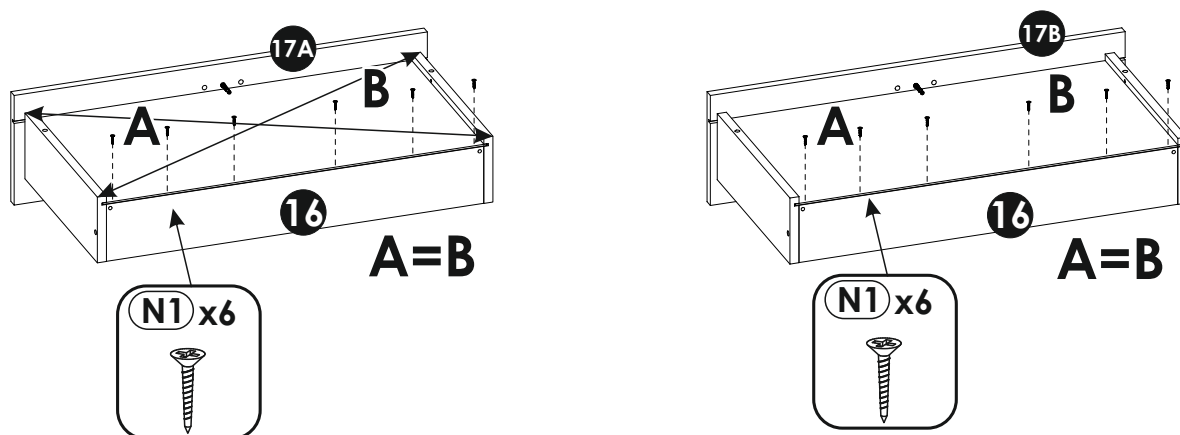
29▶



30 ▶



31 ▶



32 ▶

