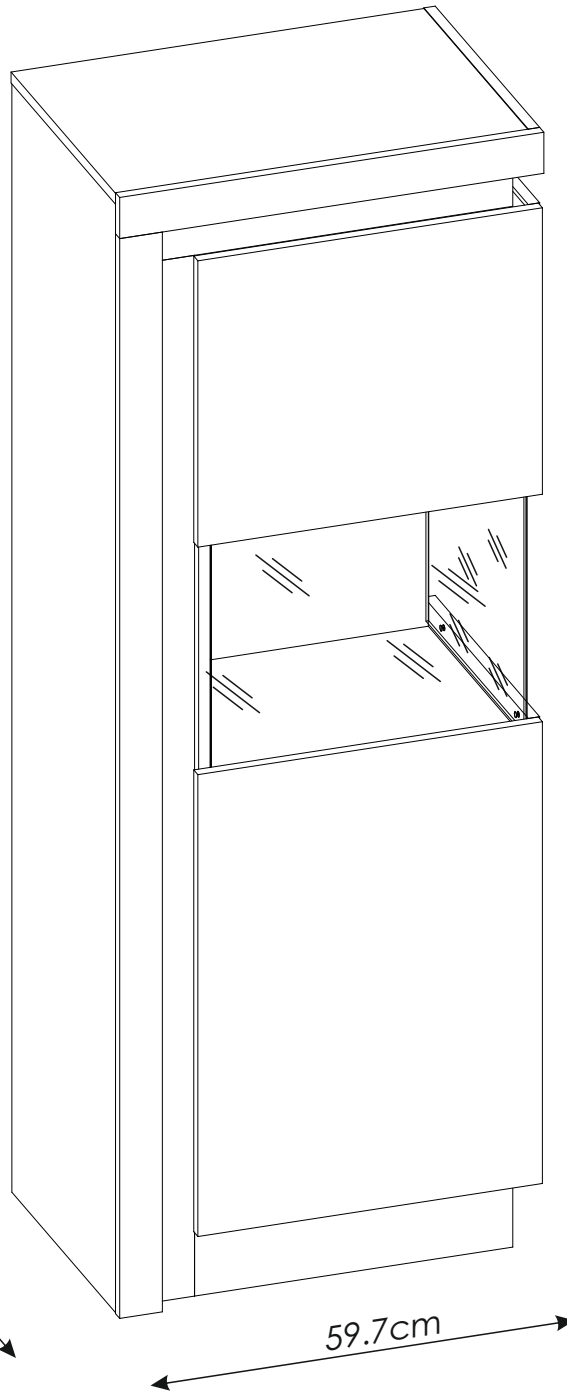
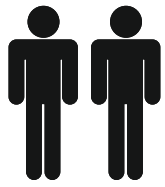


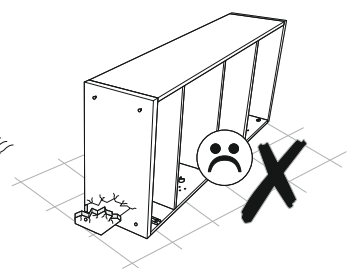
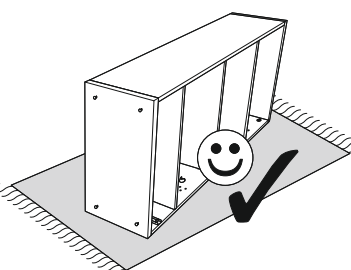
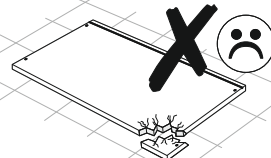
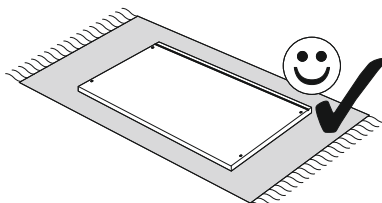
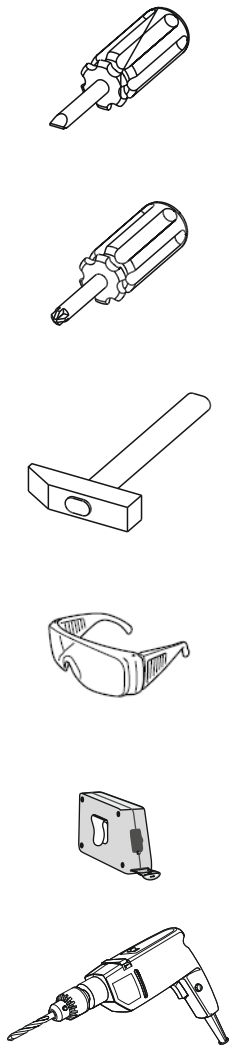
# LEONARDO LYOV01 P

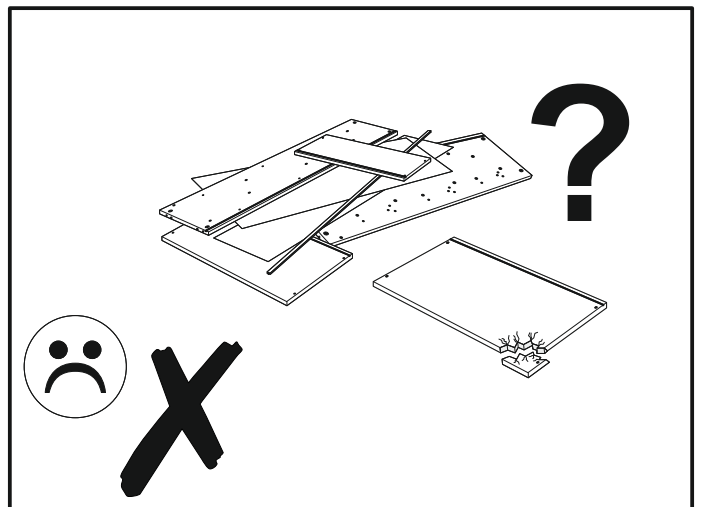
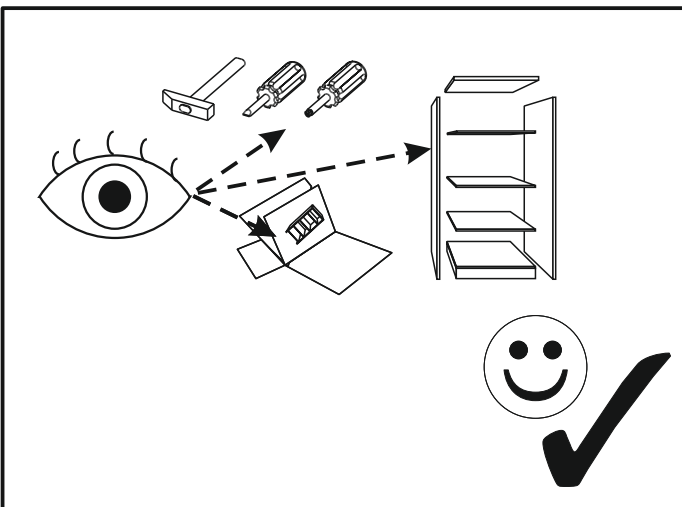
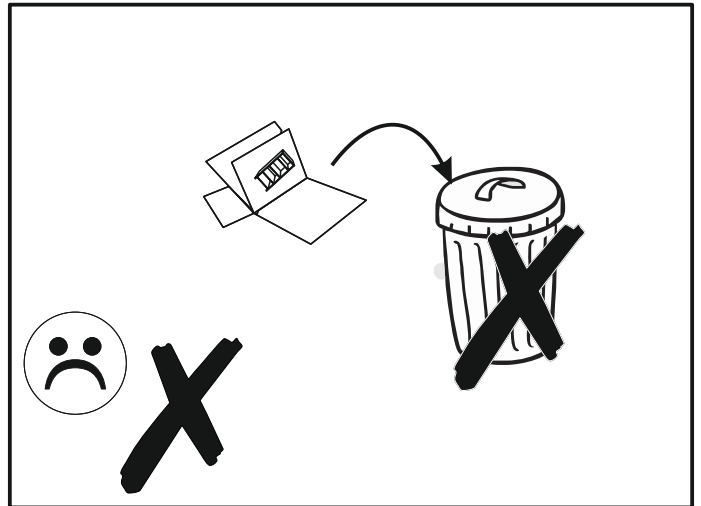
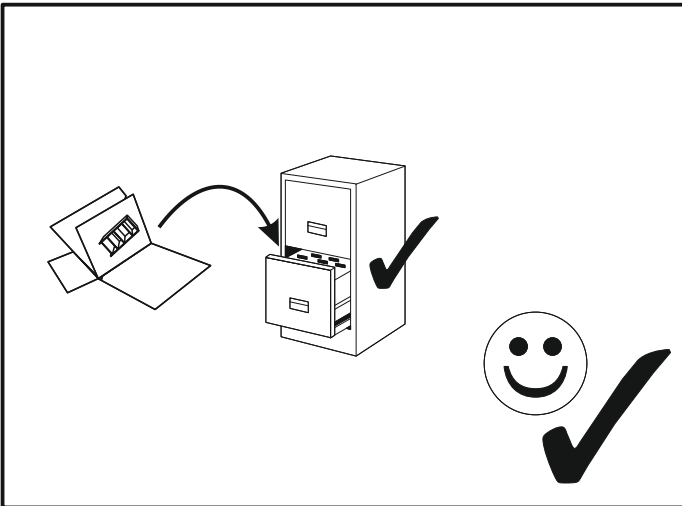
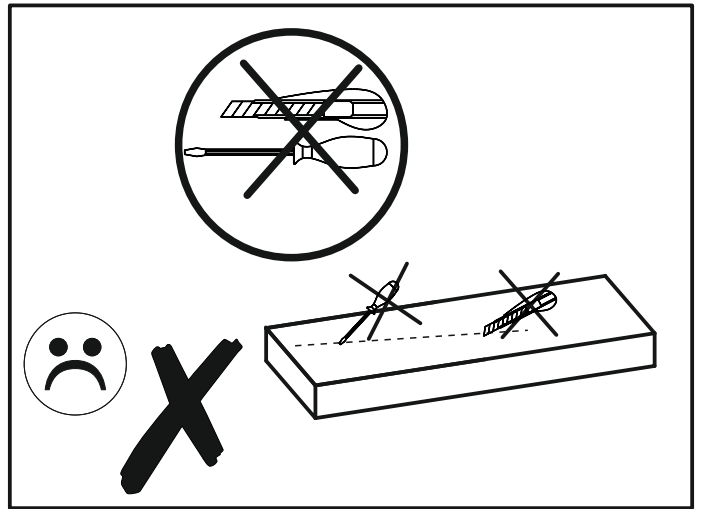
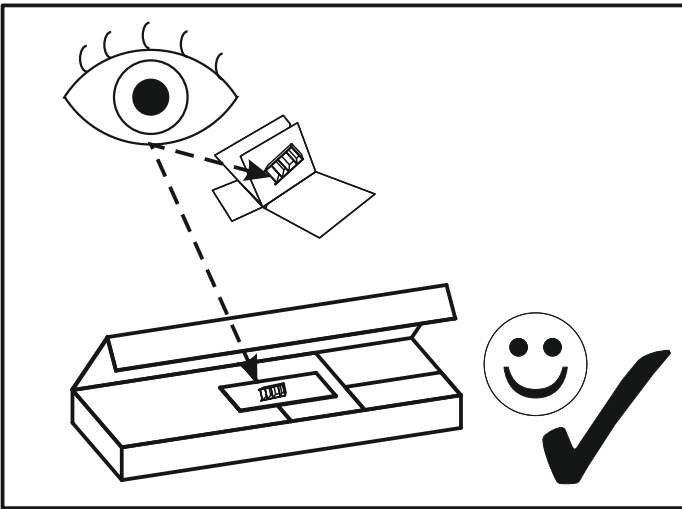


164.1 cm

42 cm

59.7cm







MM

260

250

240

230

220

210

200

190

180

170

160

150

140

130

120

110

100

90

80

70

60

50

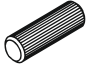
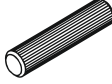
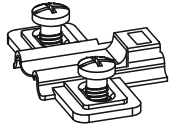
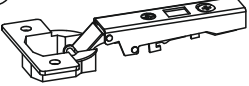

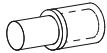
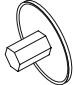

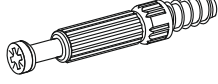
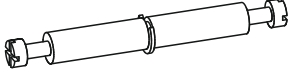
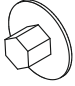


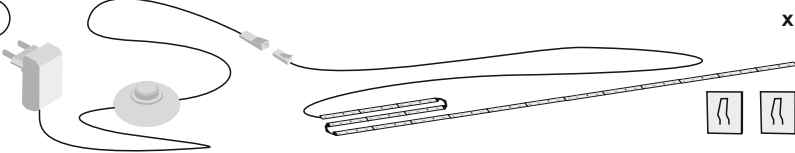
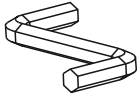
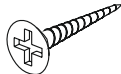
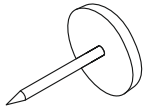

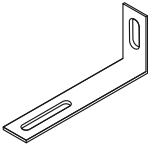
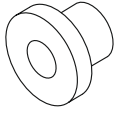
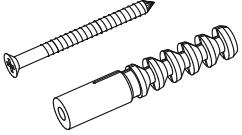
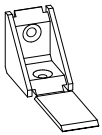
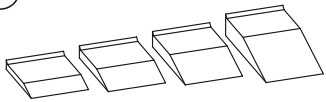
40

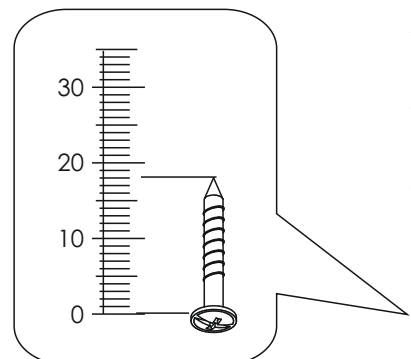
30

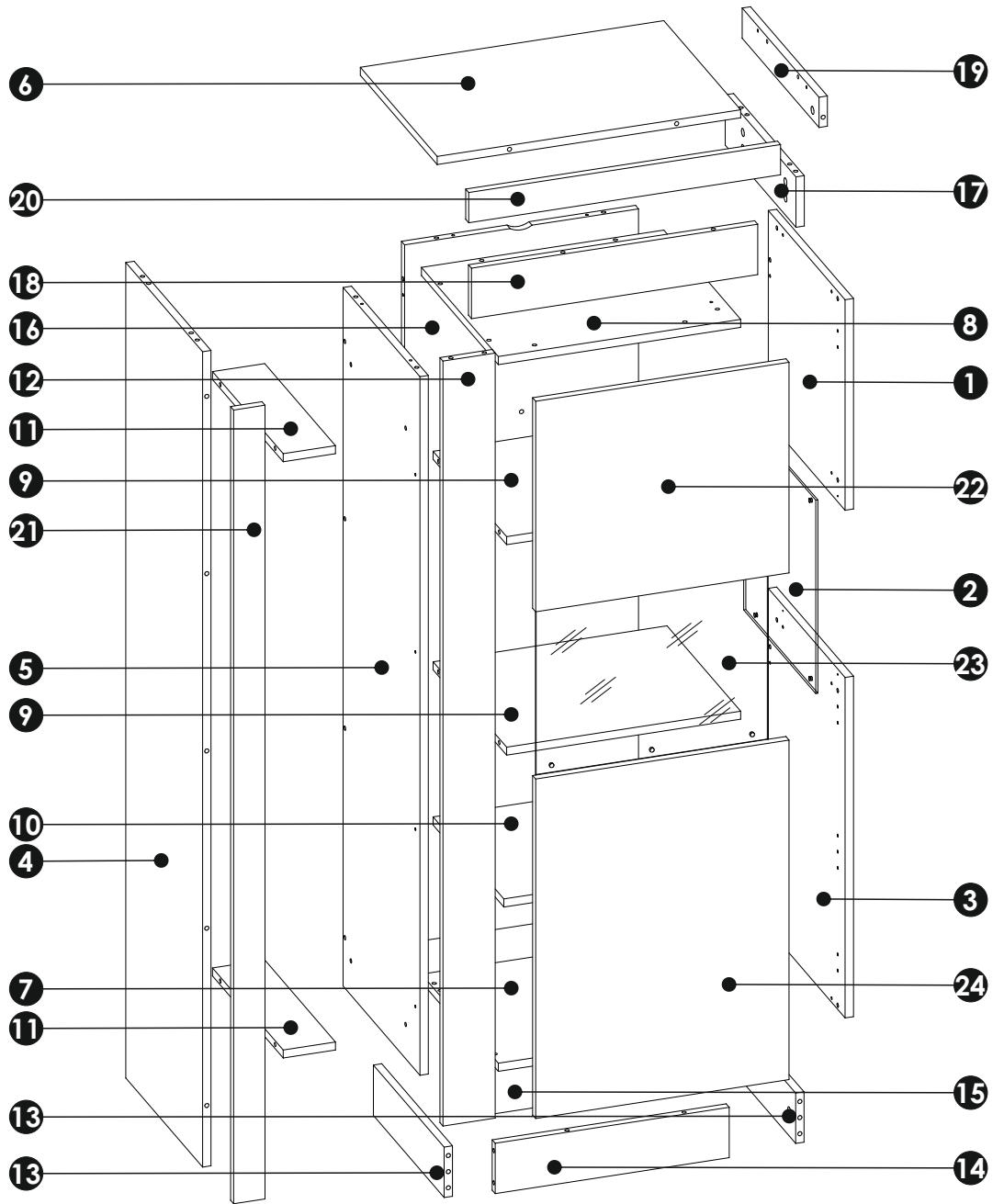
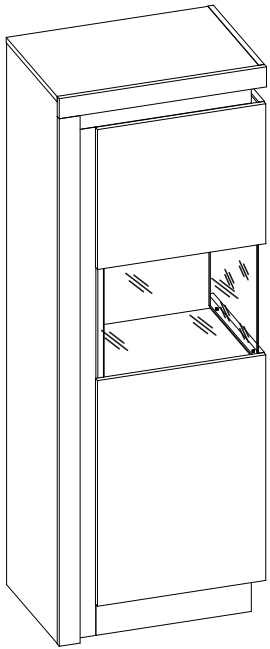
20

10

0

<b>A1</b> 8 x 35 mm x52 	<b>A2</b> 8 x 45 mm x2 	<b>B0</b>  x3
<b>BC11</b>  x3	<b>C1</b> 4 x 13 mm x6 	<b>D2</b>  x4
<b>E0</b>  x38	<b>E1</b> 15 x 12 mm x50 	<b>F1</b> 6 x 34 mm x46 
<b>F3</b> 7 x 58 mm x2 	<b>G0</b>  x16	<b>G1</b> 7 x 50 mm x16 
<b>I2</b> 4 x 16 mm x11 	<b>L</b>  x1	
<b>M</b>  x1	<b>N2</b> 3,5 X 16 mm x12 	<b>O2</b>  x6
<b>P0</b> ø8 x1 	<b>Q9</b>  x1	<b>R3</b>  x10
<b>S13</b>  x1	<b>W</b>  x6	<b>Z</b>  x1

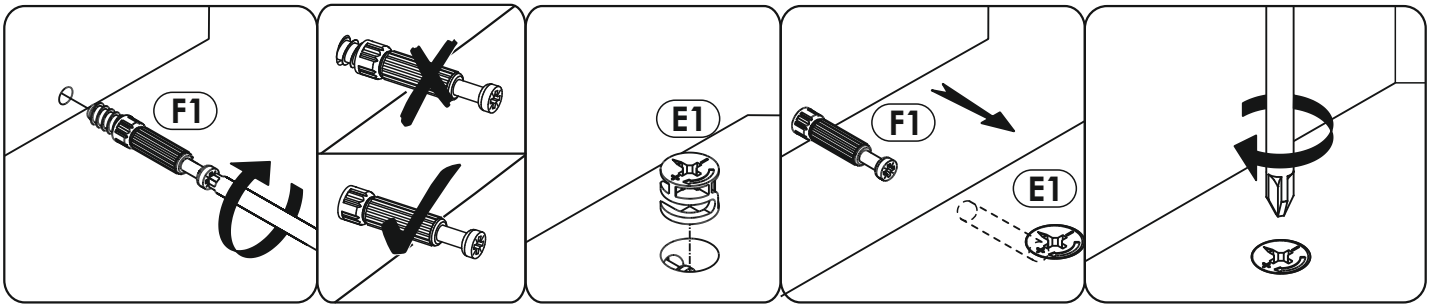




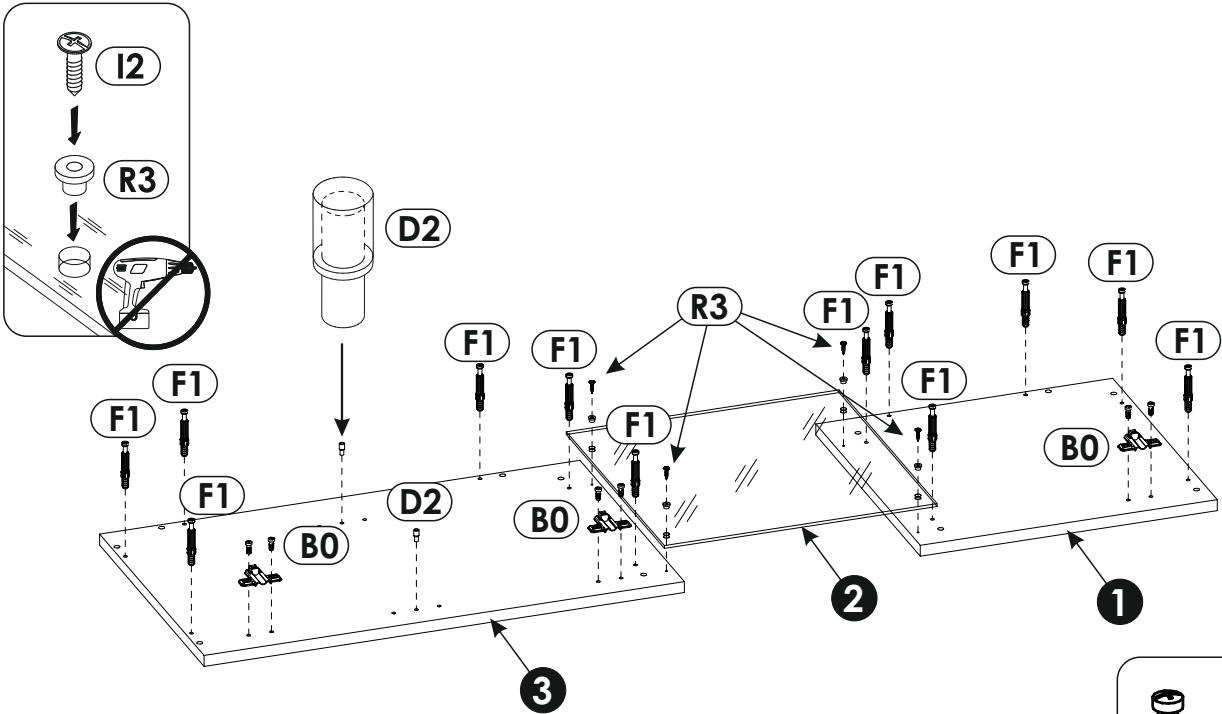
<b>1</b>	418	404	16 x1	1/2
<b>2</b>	379	384	4 x1	1/2
<b>3</b>	676	404	16 x1	1/2
<b>4</b>	1619	404	16 x1	2/2
<b>5</b>	1387	404	16 x1	2/2
<b>6</b>	581	404	16 x1	1/2
<b>7</b>	464	404	16 x1	1/2
<b>8</b>	464	404	16 x1	1/2

<b>9</b>	448	387	16 x2	1/2
<b>10</b>	448	369	16 x1	1/2
<b>11</b>	372	100	16 x2	2/2
<b>12</b>	1519	100	16 x1	2/2
<b>13</b>	372	100	16 x2	2/2
<b>14</b>	448	100	16 x1	2/2
<b>15</b>	357	100	16 x1	1/2
<b>16</b>	1387	448	16 x1	2/2

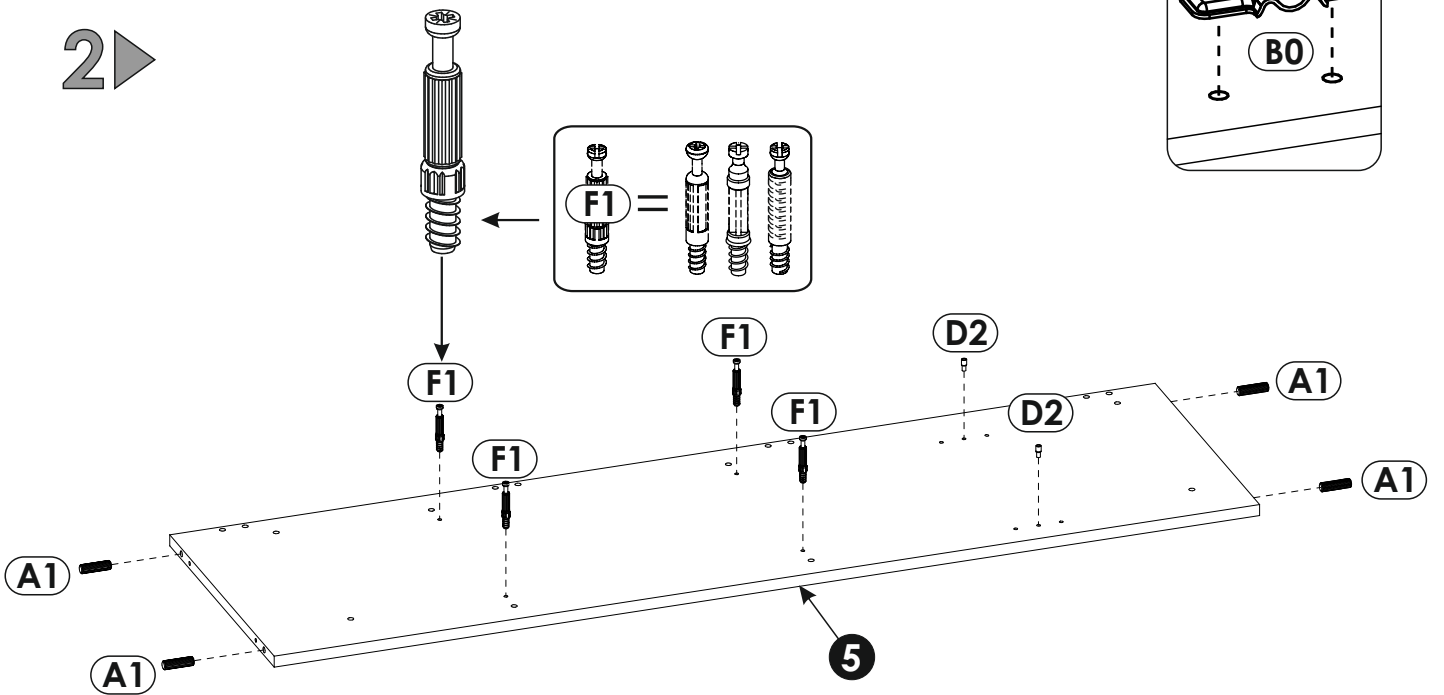
<b>17</b>	372	100	16 x1	1/2
<b>18</b>	548	100	16 x1	2/2
<b>19</b>	404	60	16 x1	1/2
<b>20</b>	597	60	16 x1	2/2
<b>21</b>	1576	60	16 x1	2/2
<b>22</b>	485	418	16 x1	1/2
<b>23</b>	444	384	4 x1	1/2
<b>24</b>	485	674	16 x1	1/2



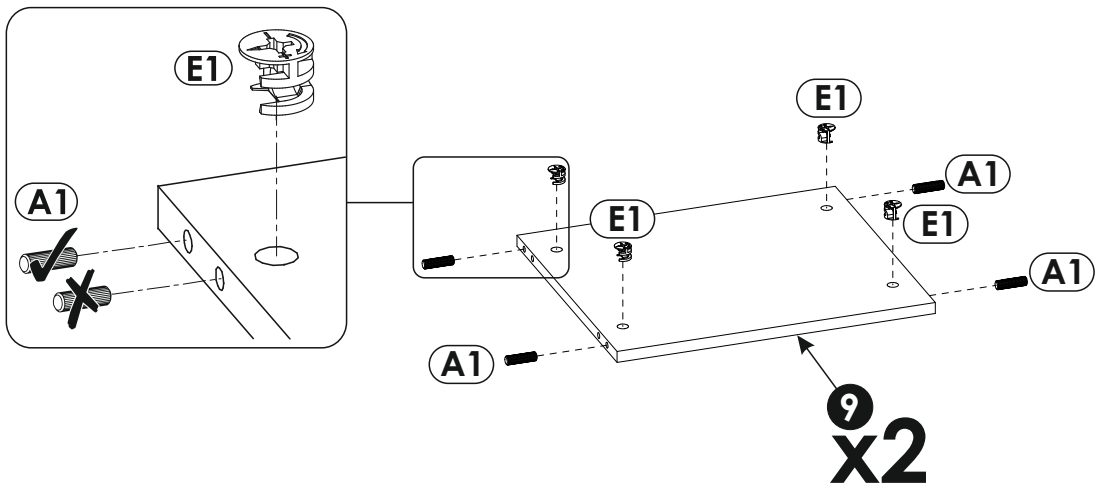
1 ▶



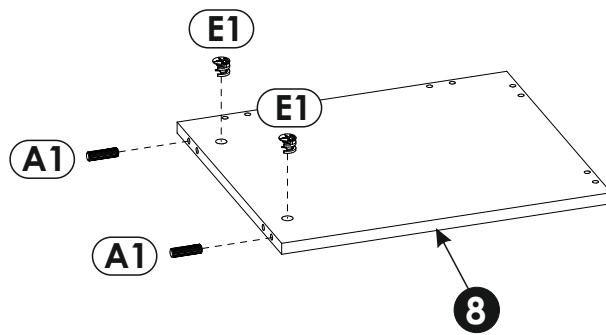
2 ▶



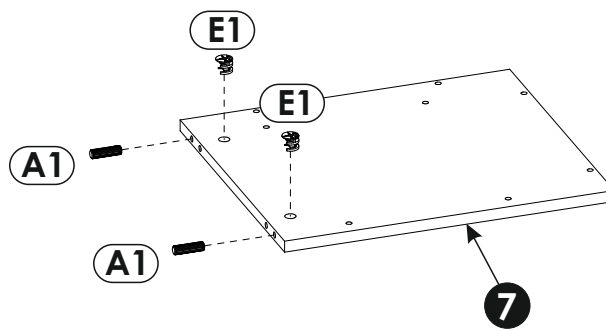
3▶



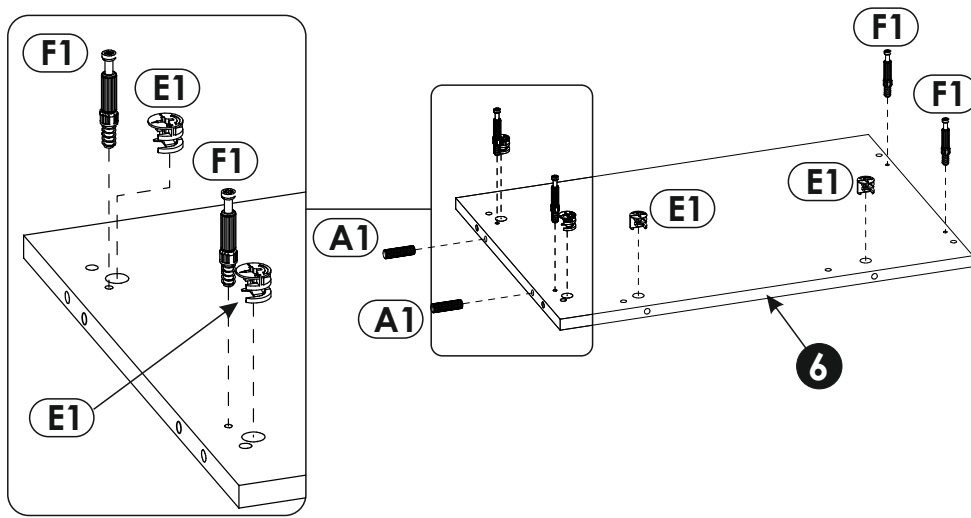
4▶



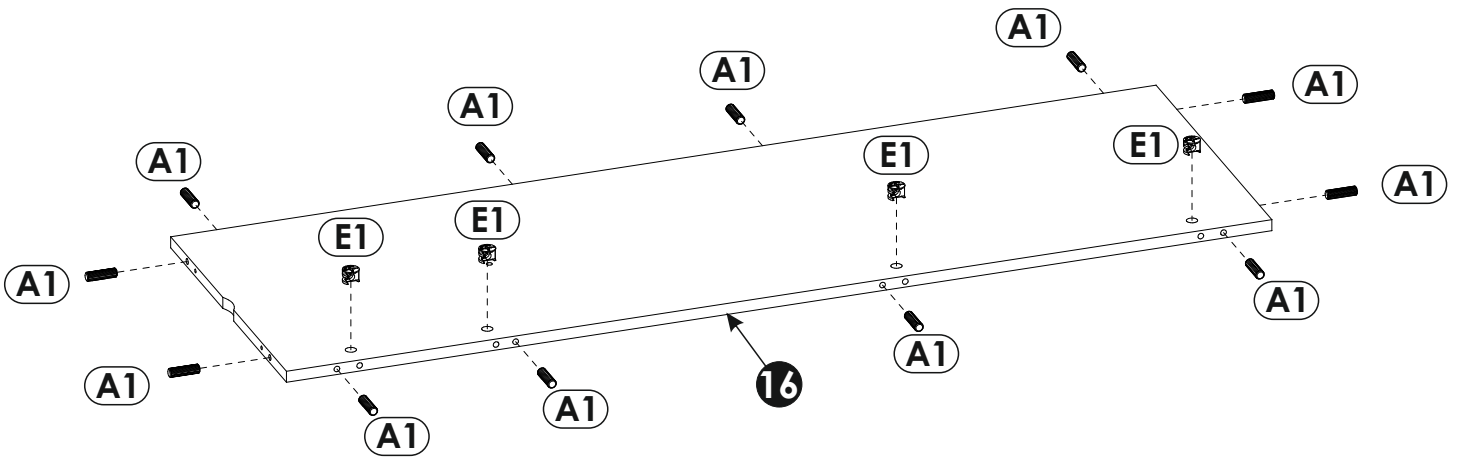
5▶



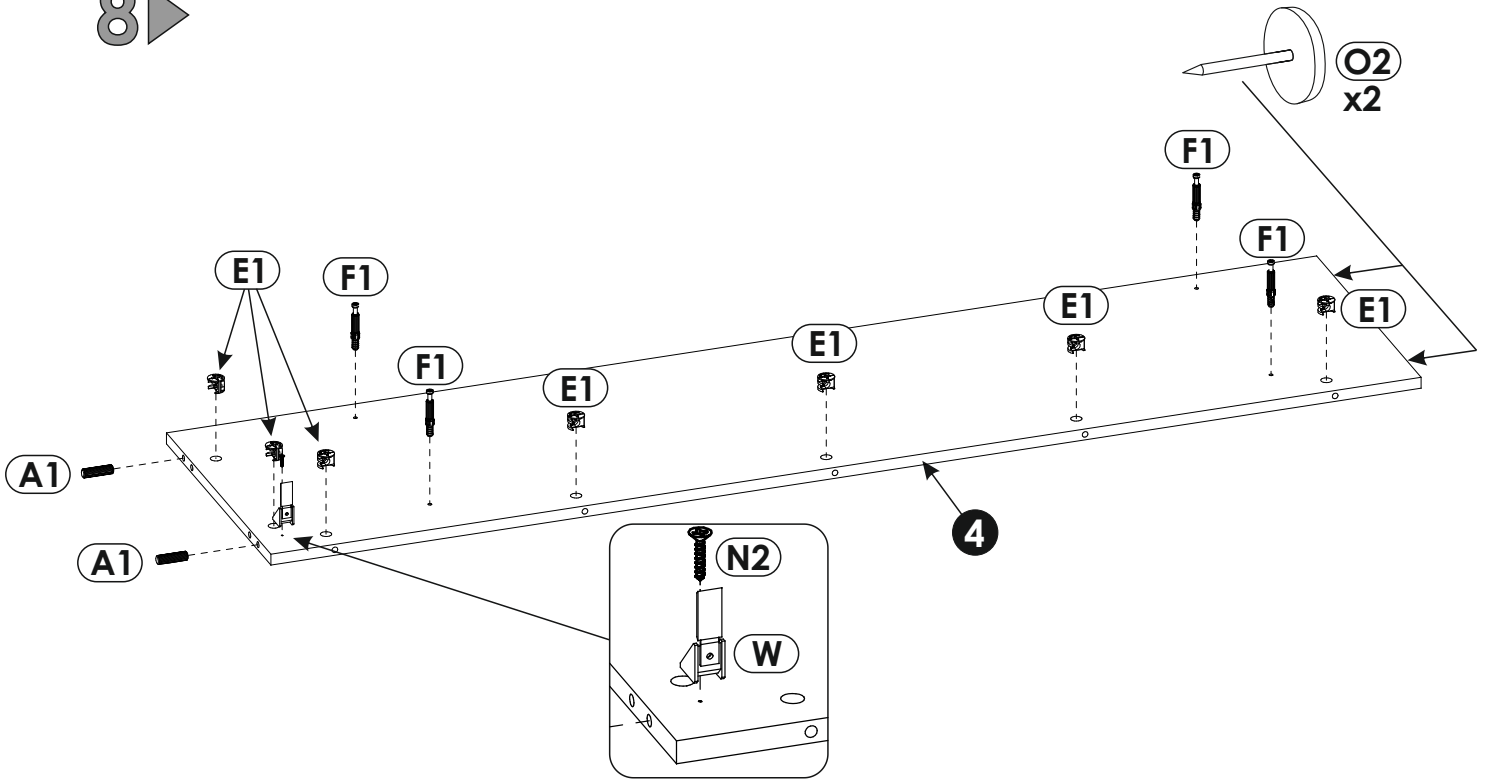
6 ▶



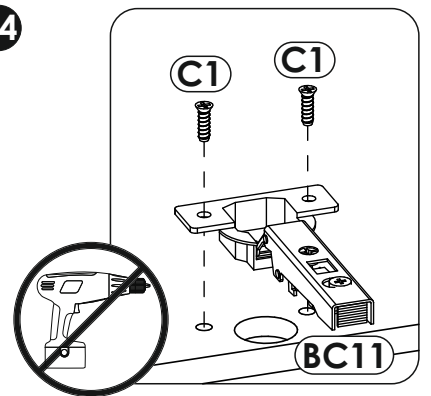
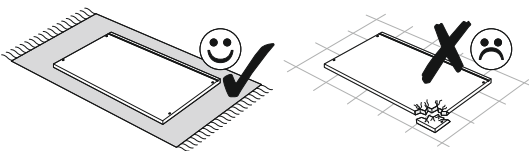
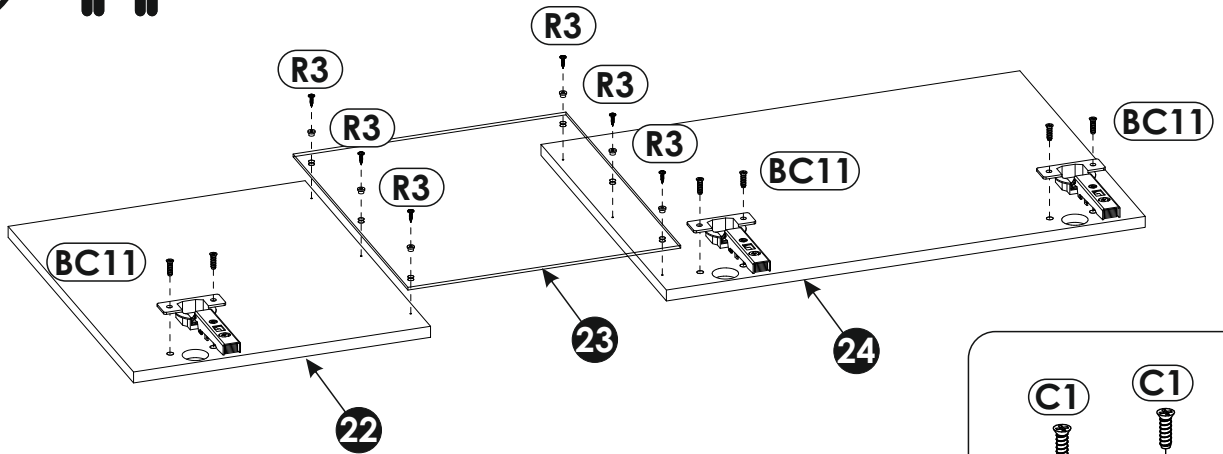
7 ▶



8 ▶

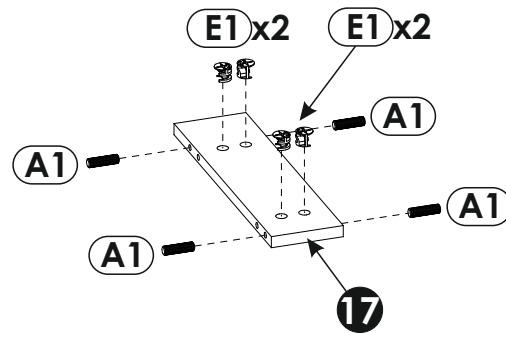


9 ▶

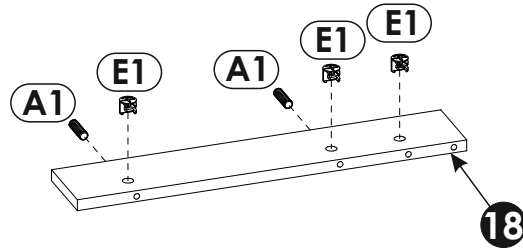




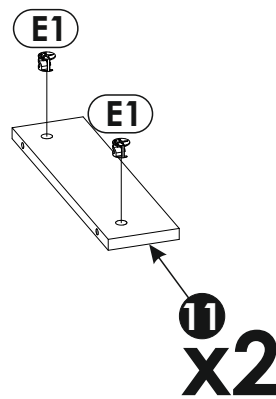
10▶



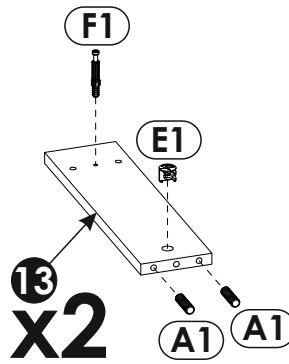
11▶



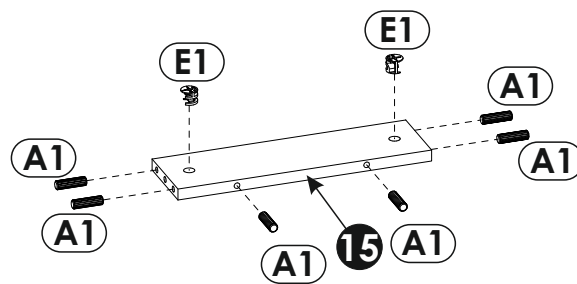
12▶



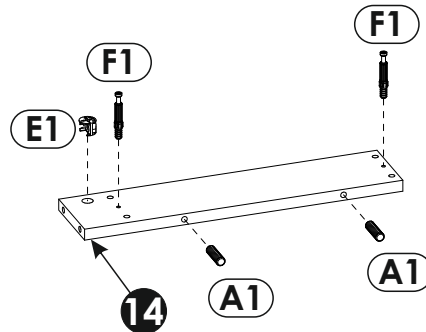
13▶



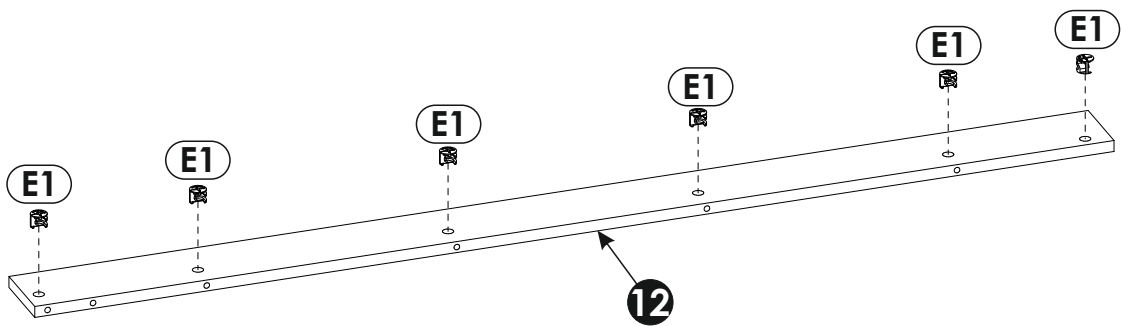
14▶



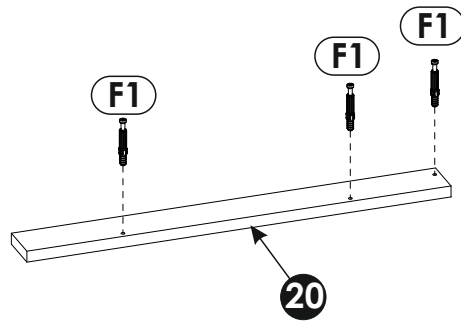
15▶



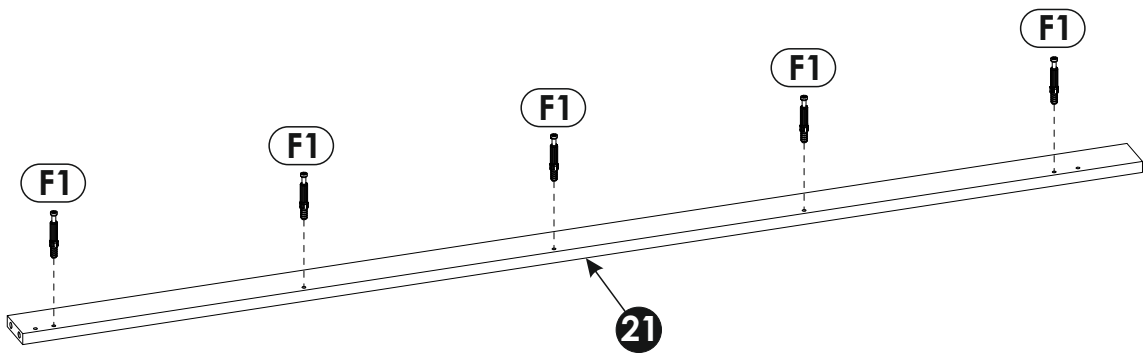
16▶



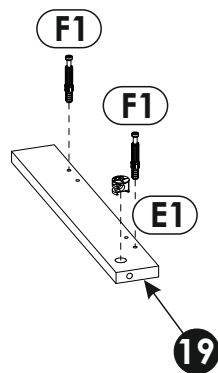
17▶



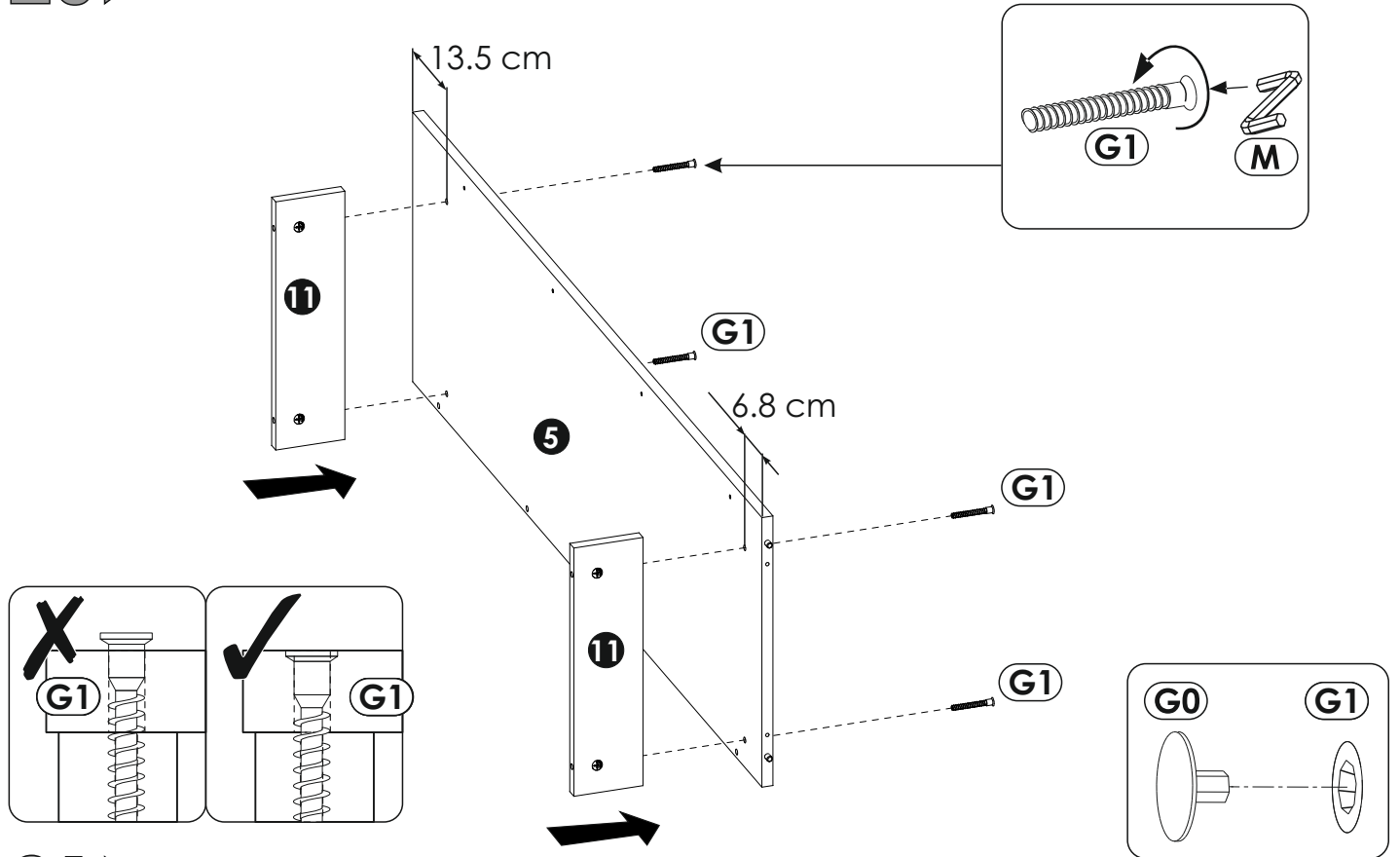
18▶



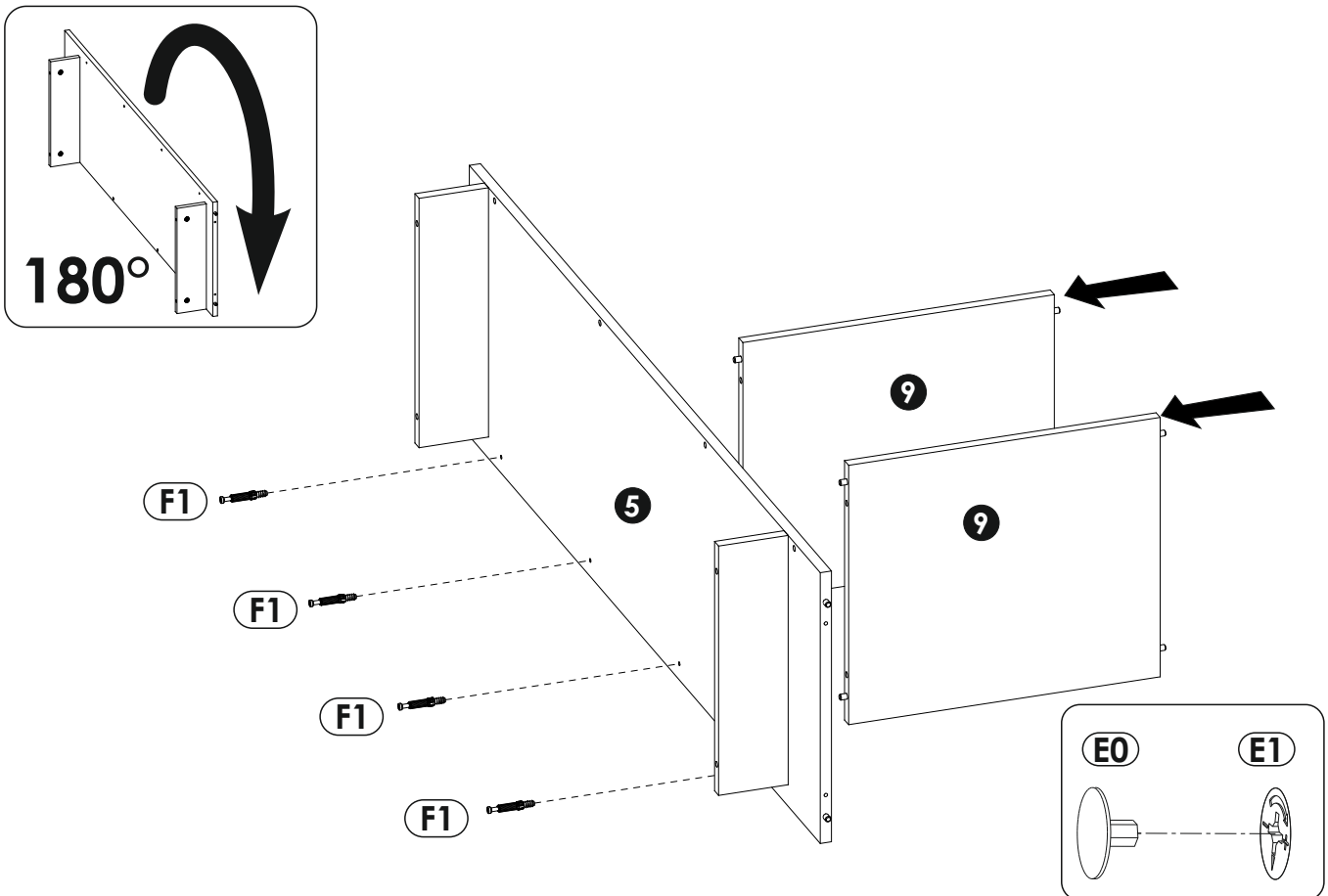
19▶



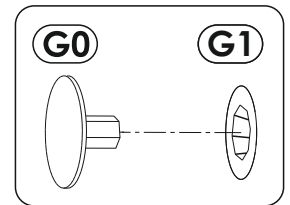
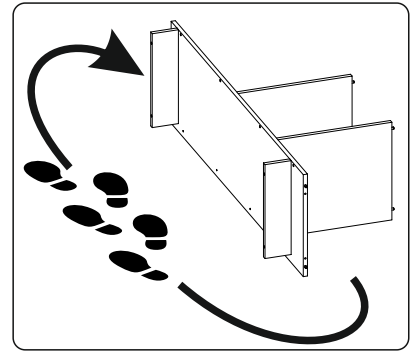
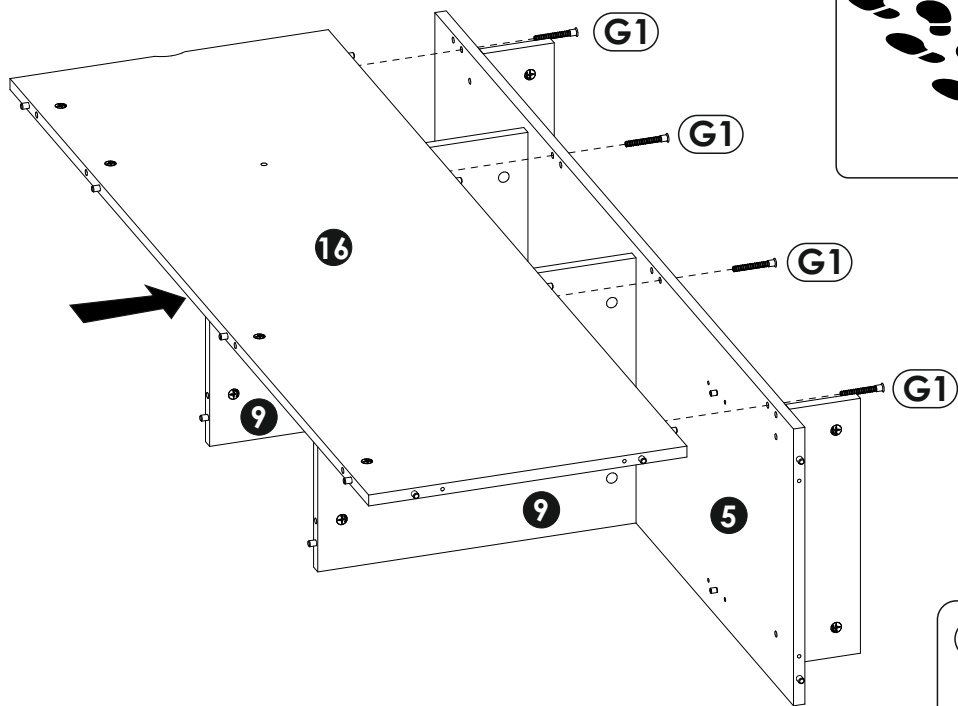
20 ▶



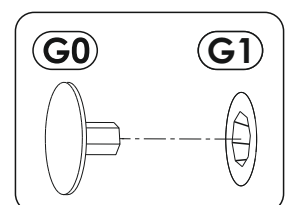
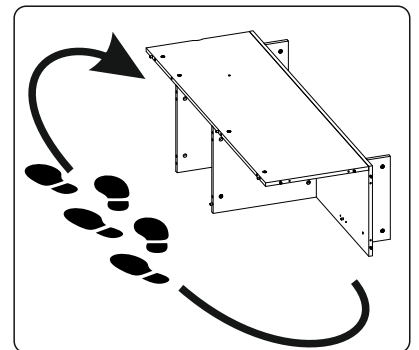
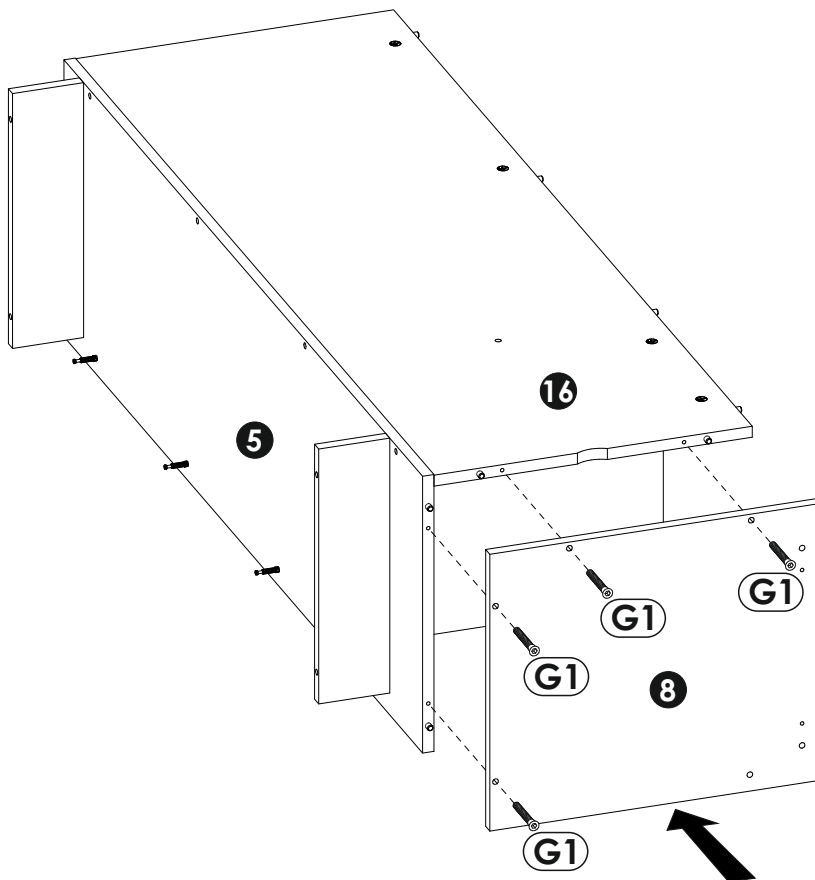
21 ▶



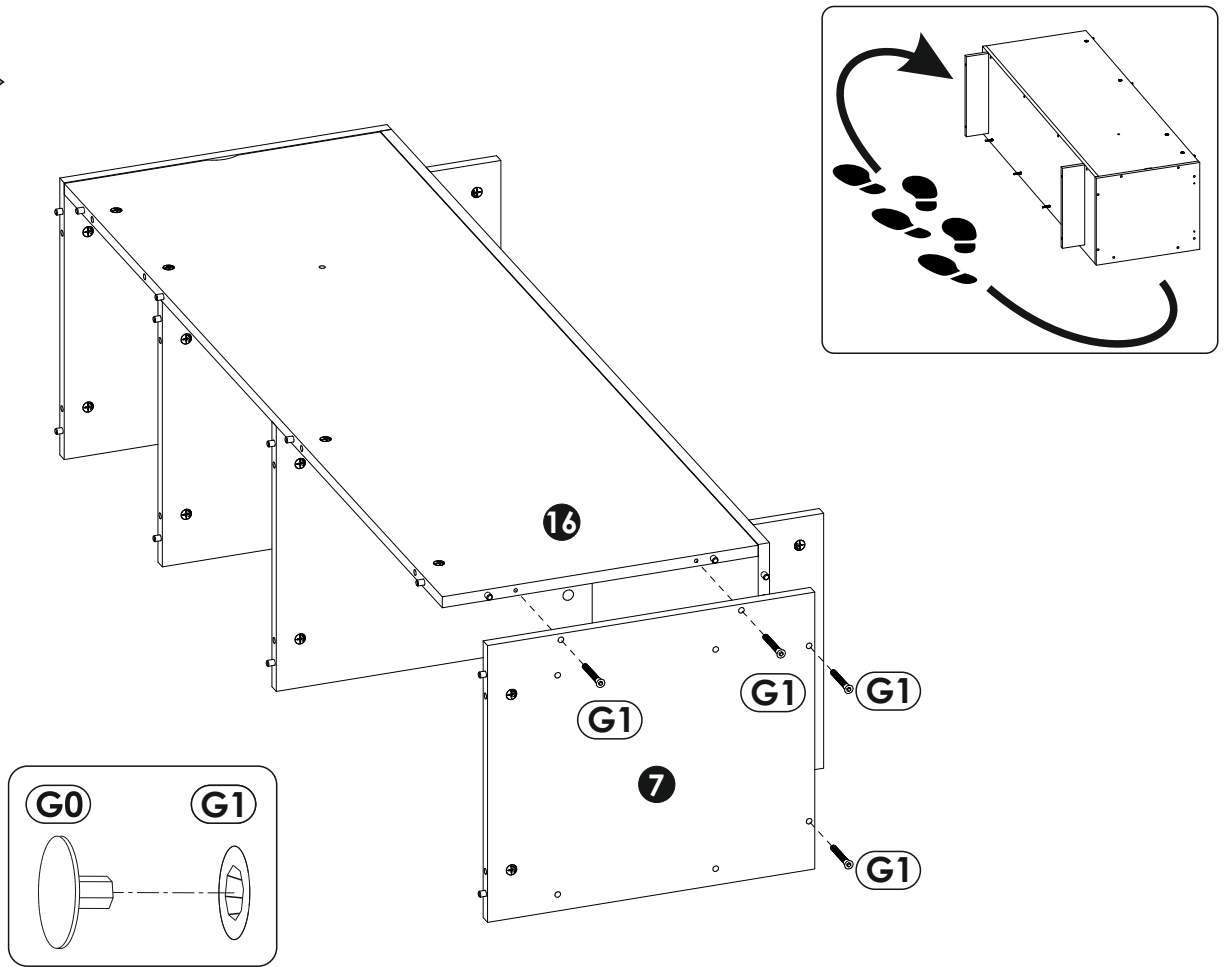
22 ▶



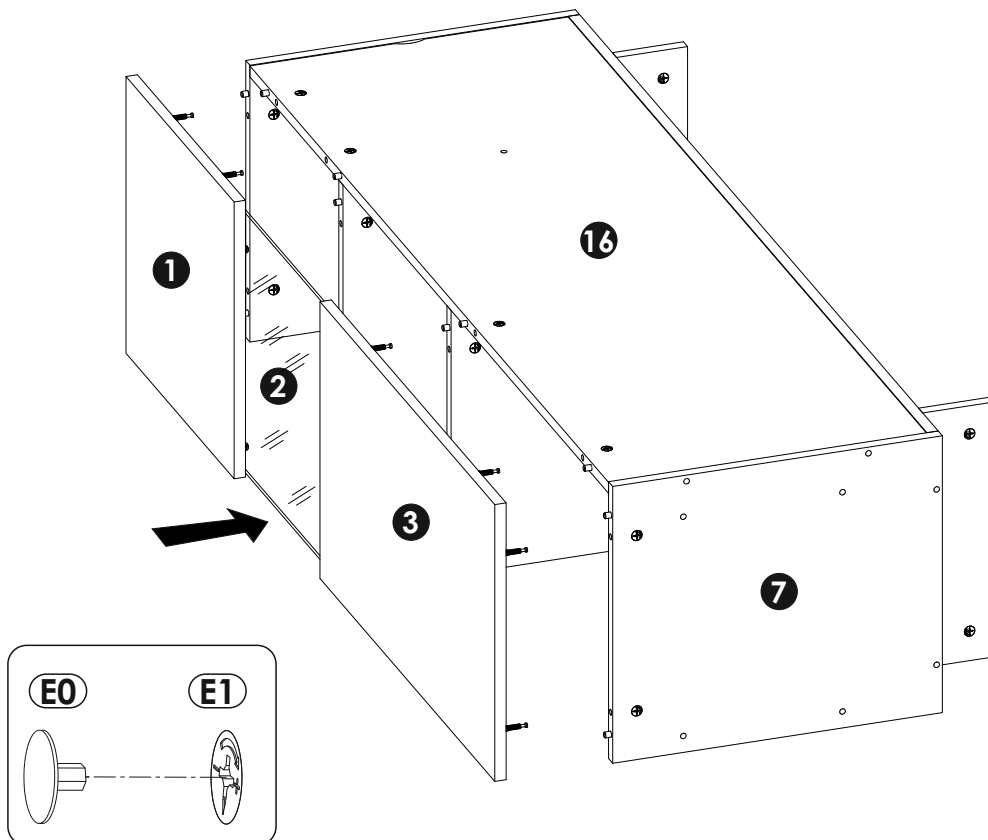
23 ▶



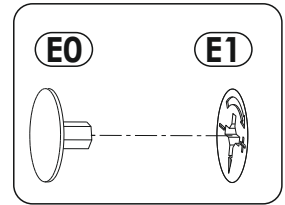
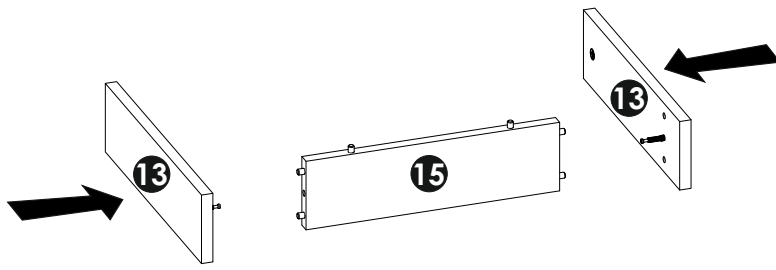
24▶



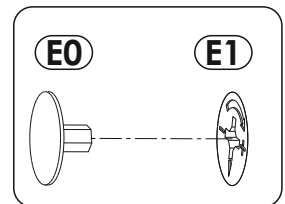
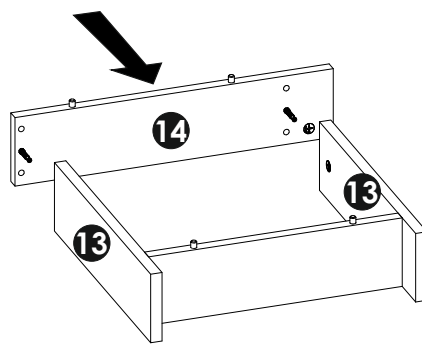
25▶



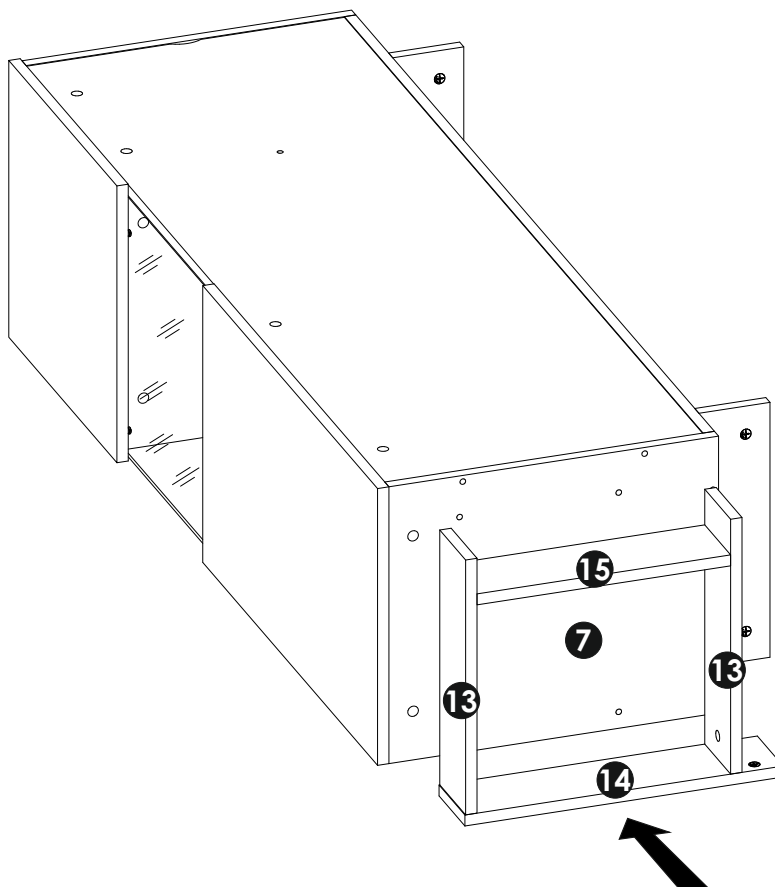
26 ▶



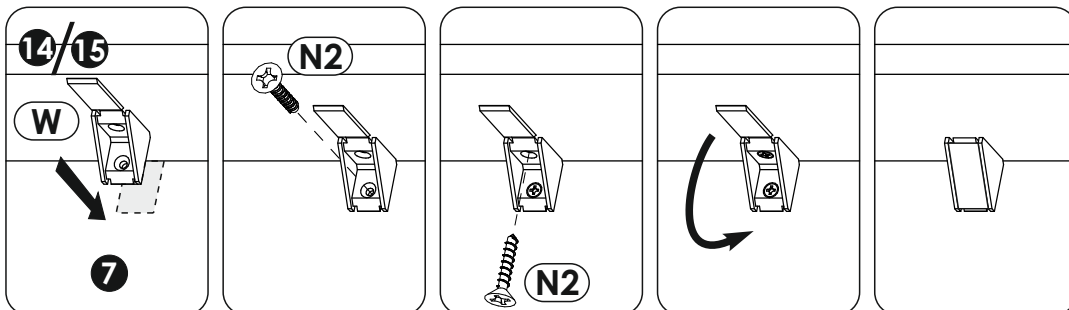
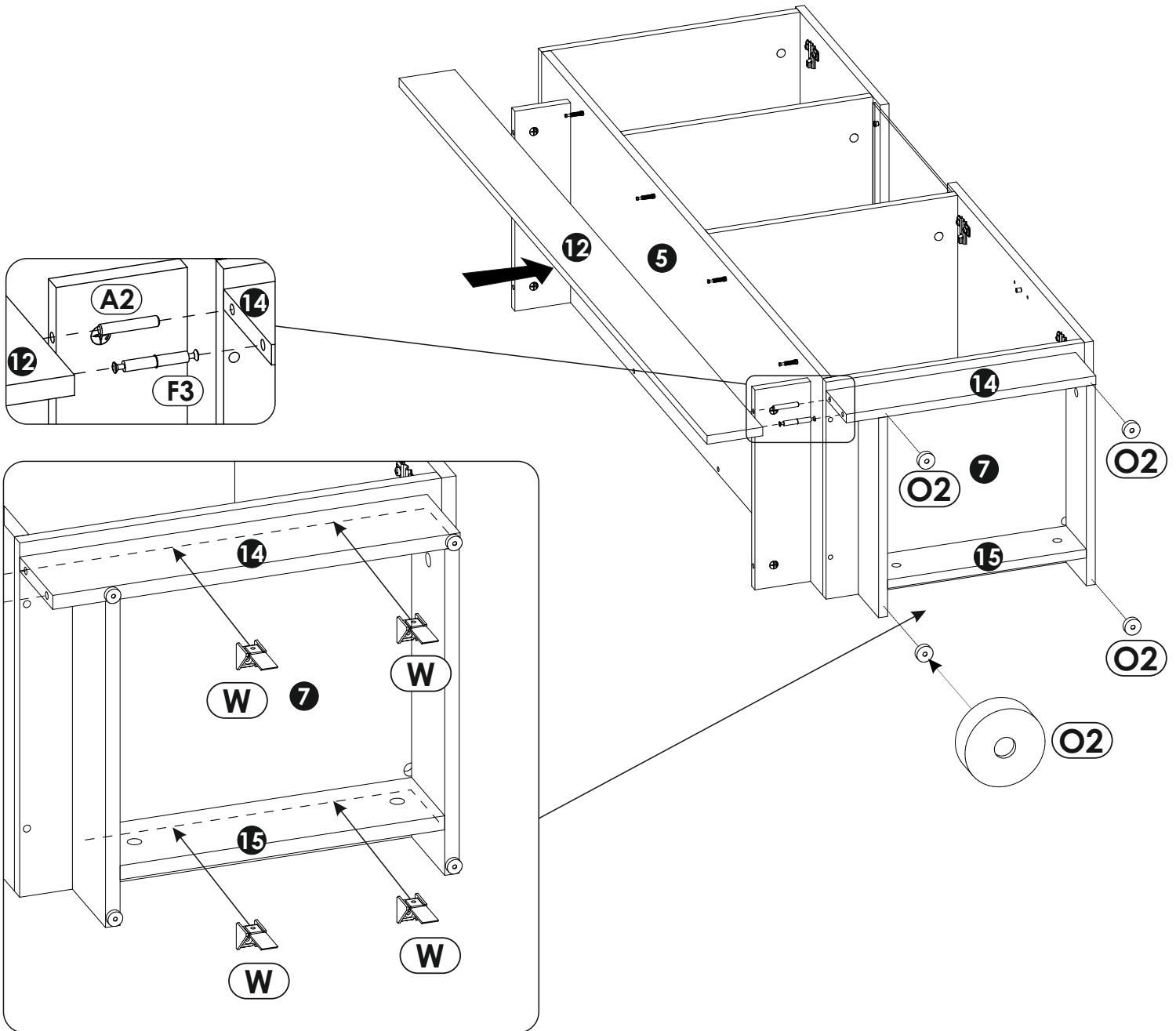
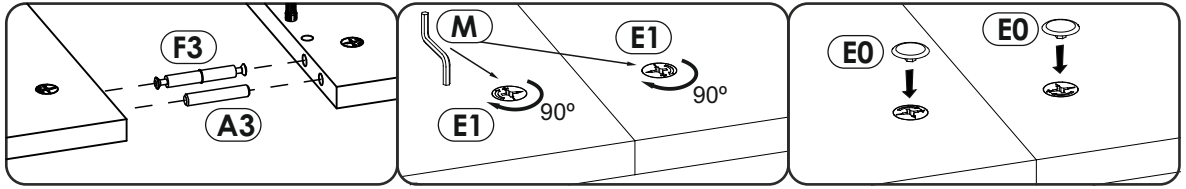
27 ▶



28 ▶

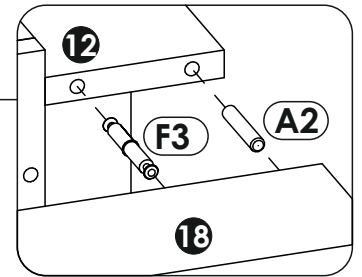
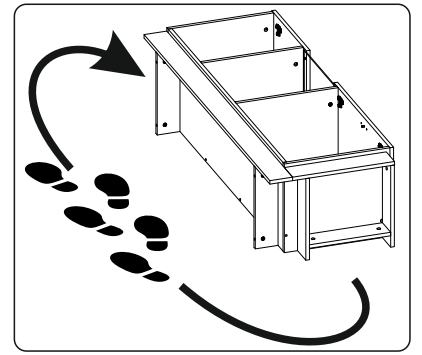
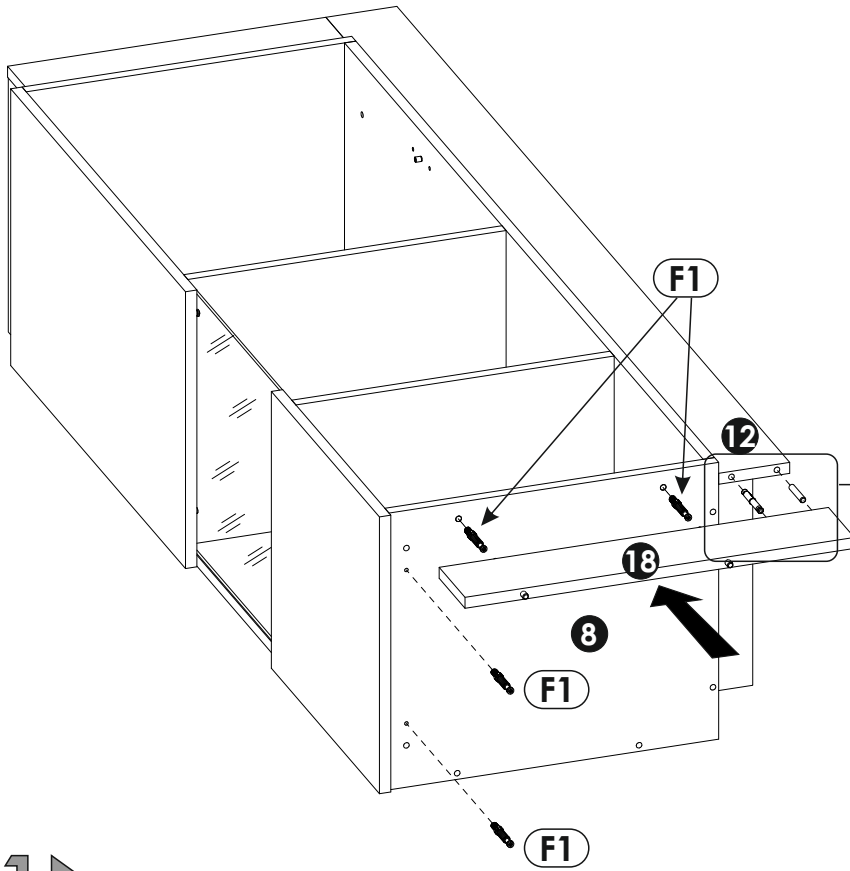


29 ▶

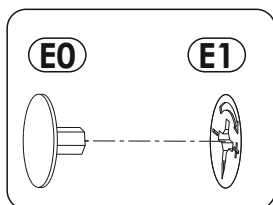
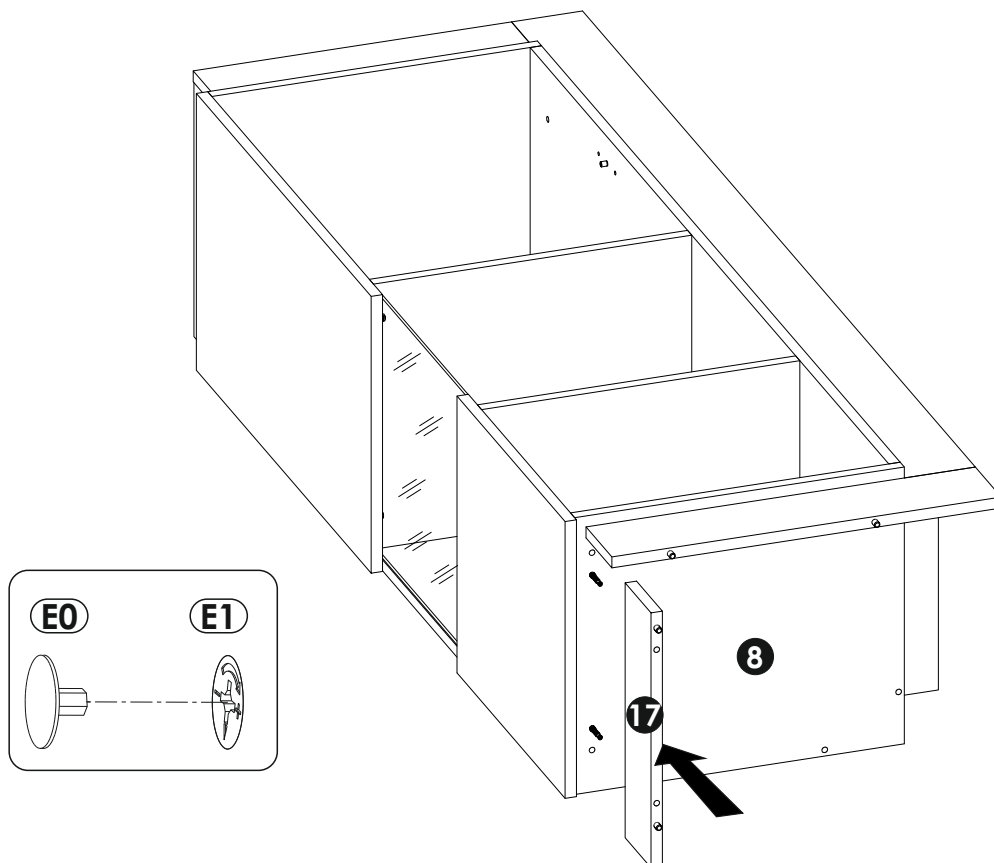




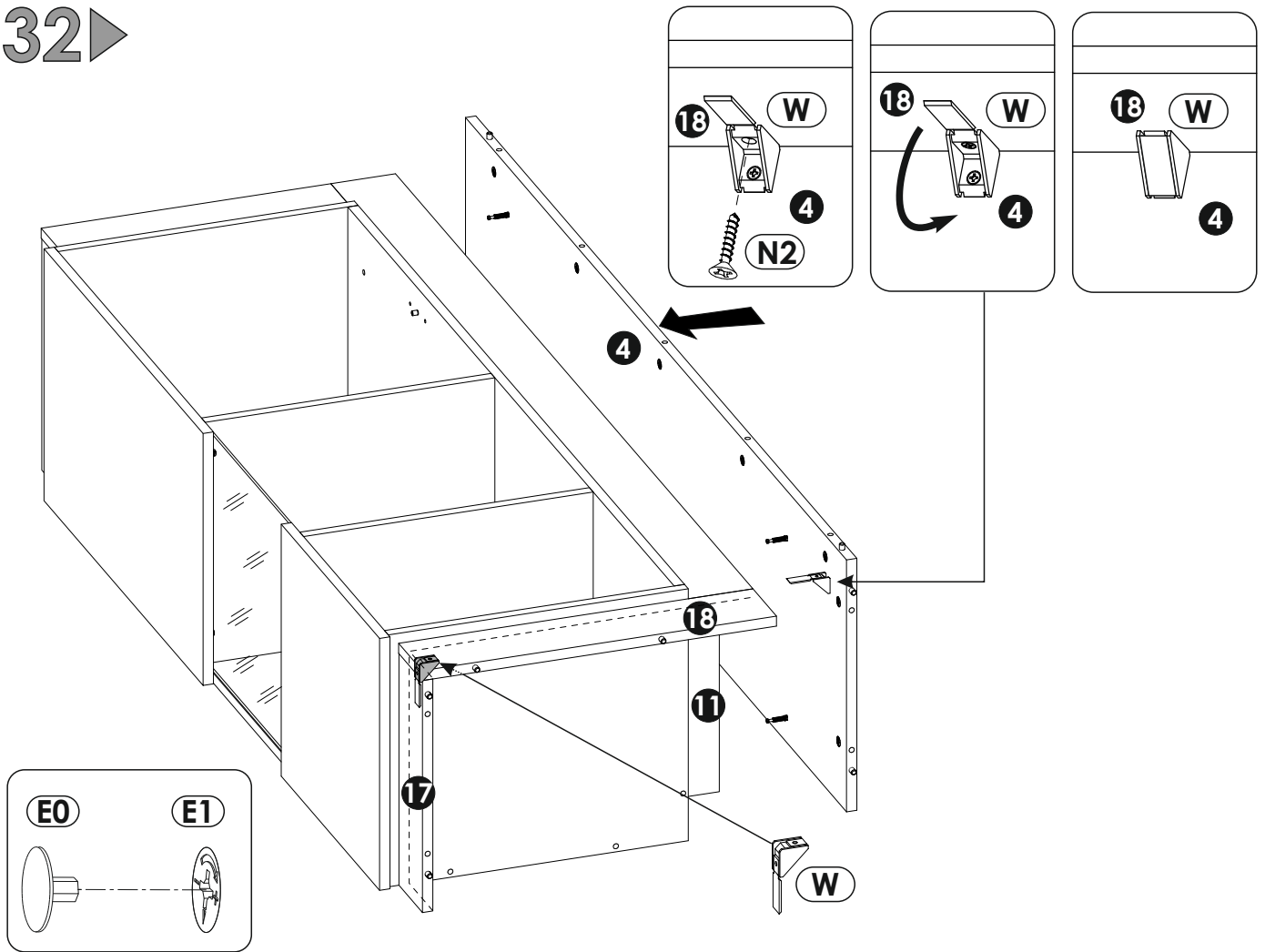
30 ▶



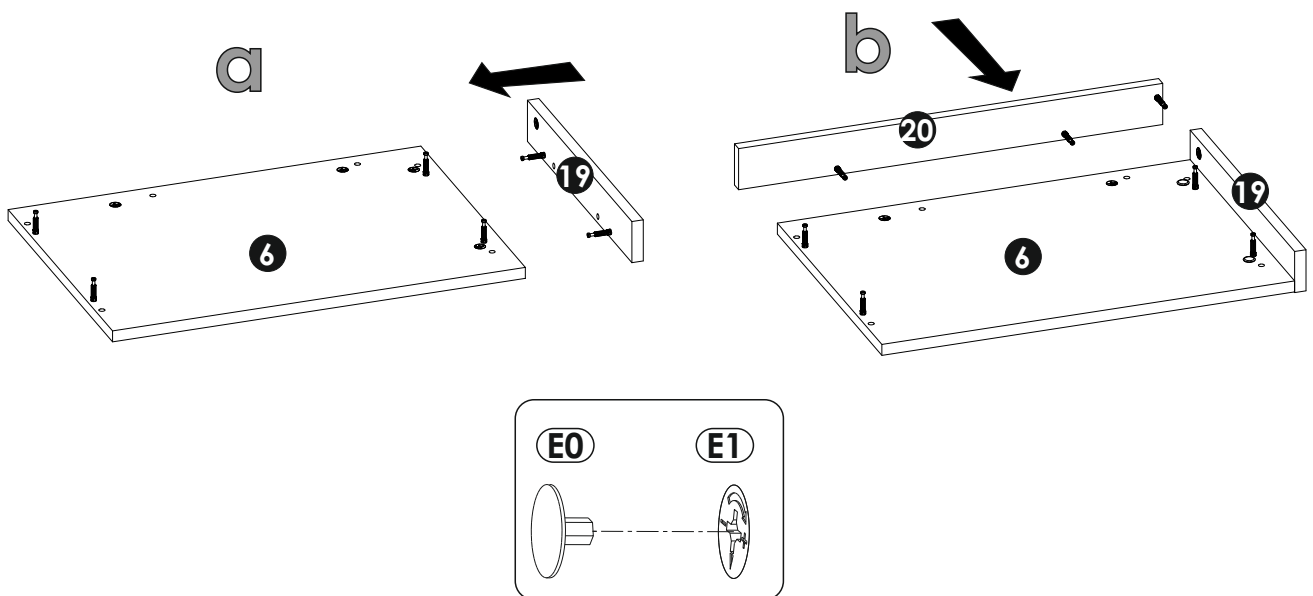
31 ▶



32 ▶



33 ▶



34 ▶

1

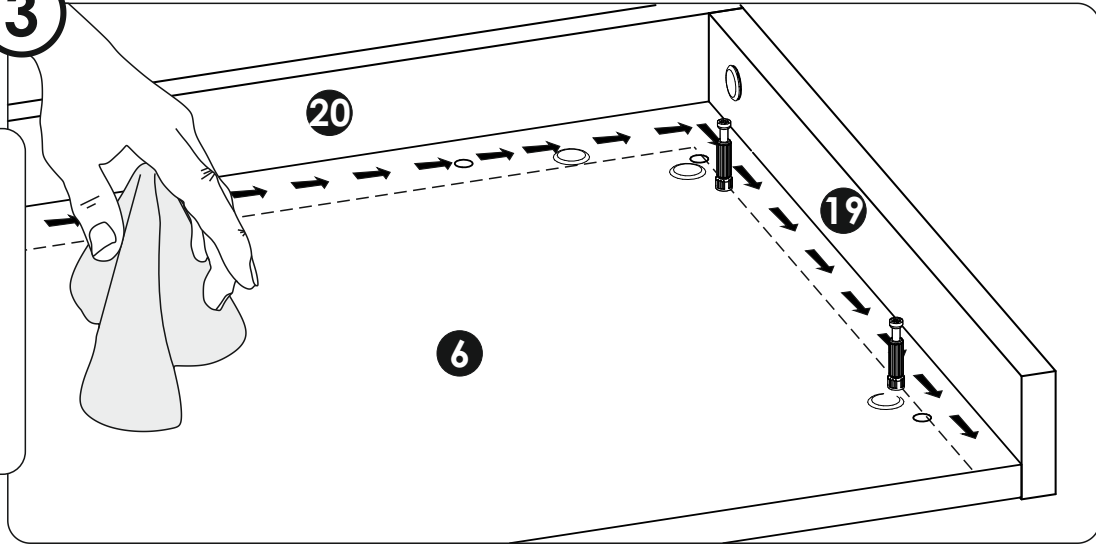


2



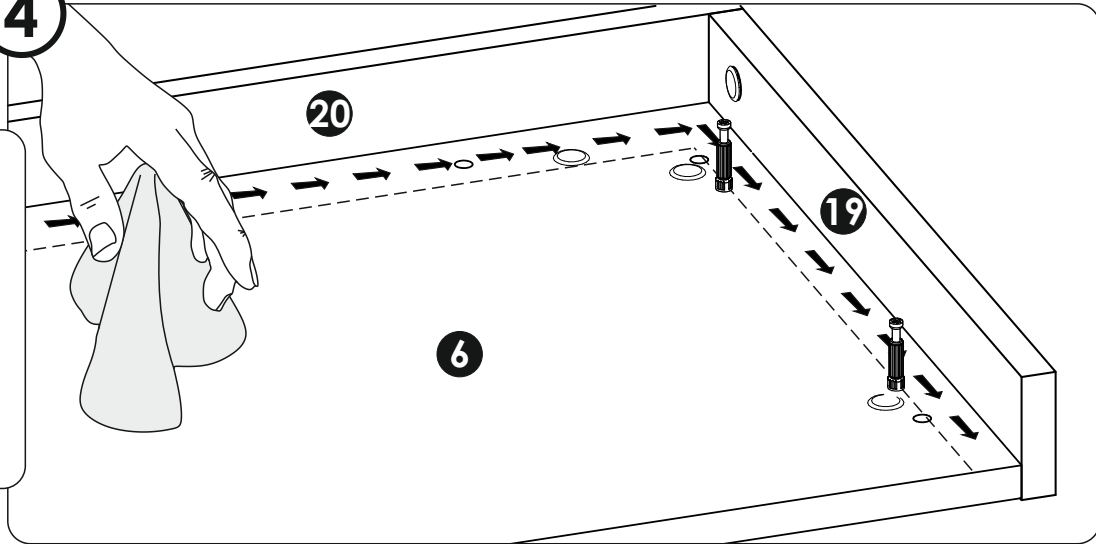
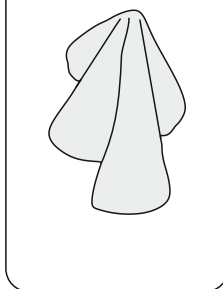
3

!

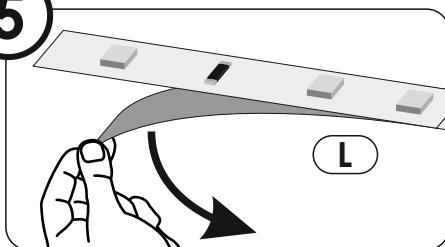


4

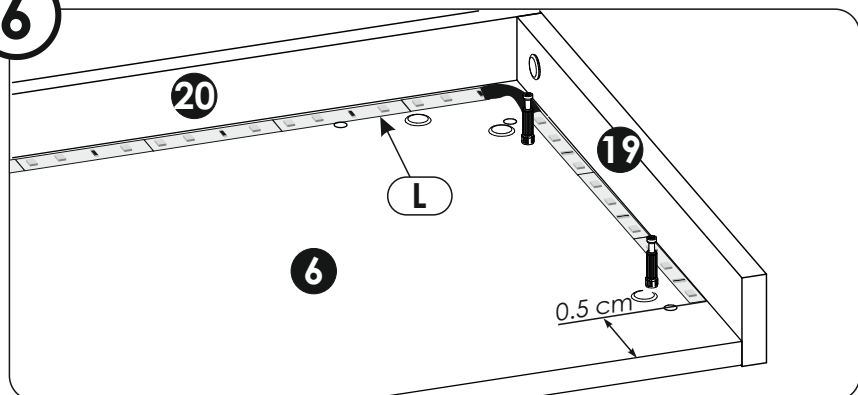
!



5



6



35 ▶

