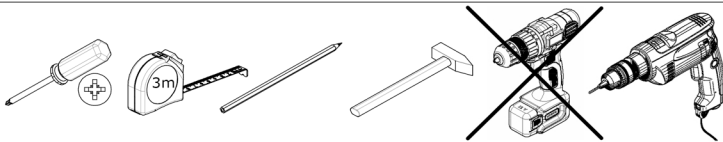
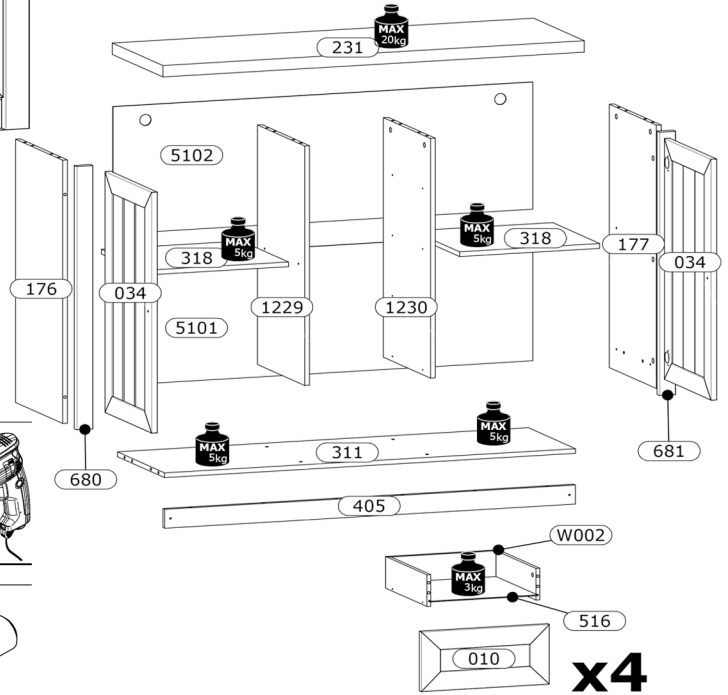
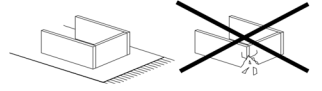
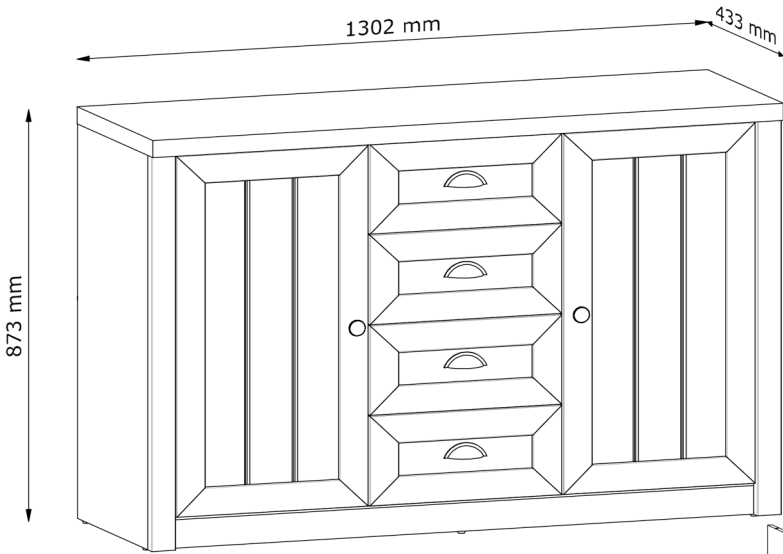
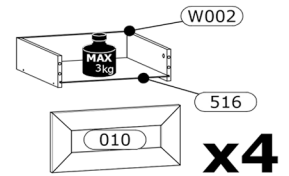


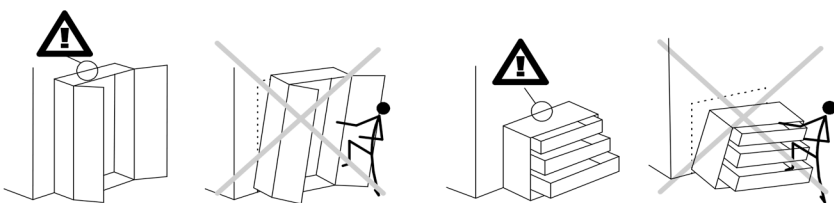
K4S SA



A1 x28 Ø8x35mm	B1 x26 Ø5x38mm	C1 x18 Ø15x12mm	C2 x8 Ø12x10mm	E1 x8 Ø5x16mm
G1 x28 26mm	H x1 1297mm	J1 x18 Ø21mm	K1 x4 Ø6,4x50mm	N2 x1 4mm HEX
P2 x8 350mm	T4 x2 75x28x16 mm	U1 x2 Ø33mm	U3 x4 92x33mm	W1 x24 Ø3,5x13mm
W2 x28 Ø3,5x16mm	W5 x2 Ø4x30mm	X2 x8 M4x16mm	X4 x2 M4x25mm	Y1 x12 Ø8x1,5mm
Y5 x7 Ø15x20mm	Z6 x4 Ø35mm, 90°			

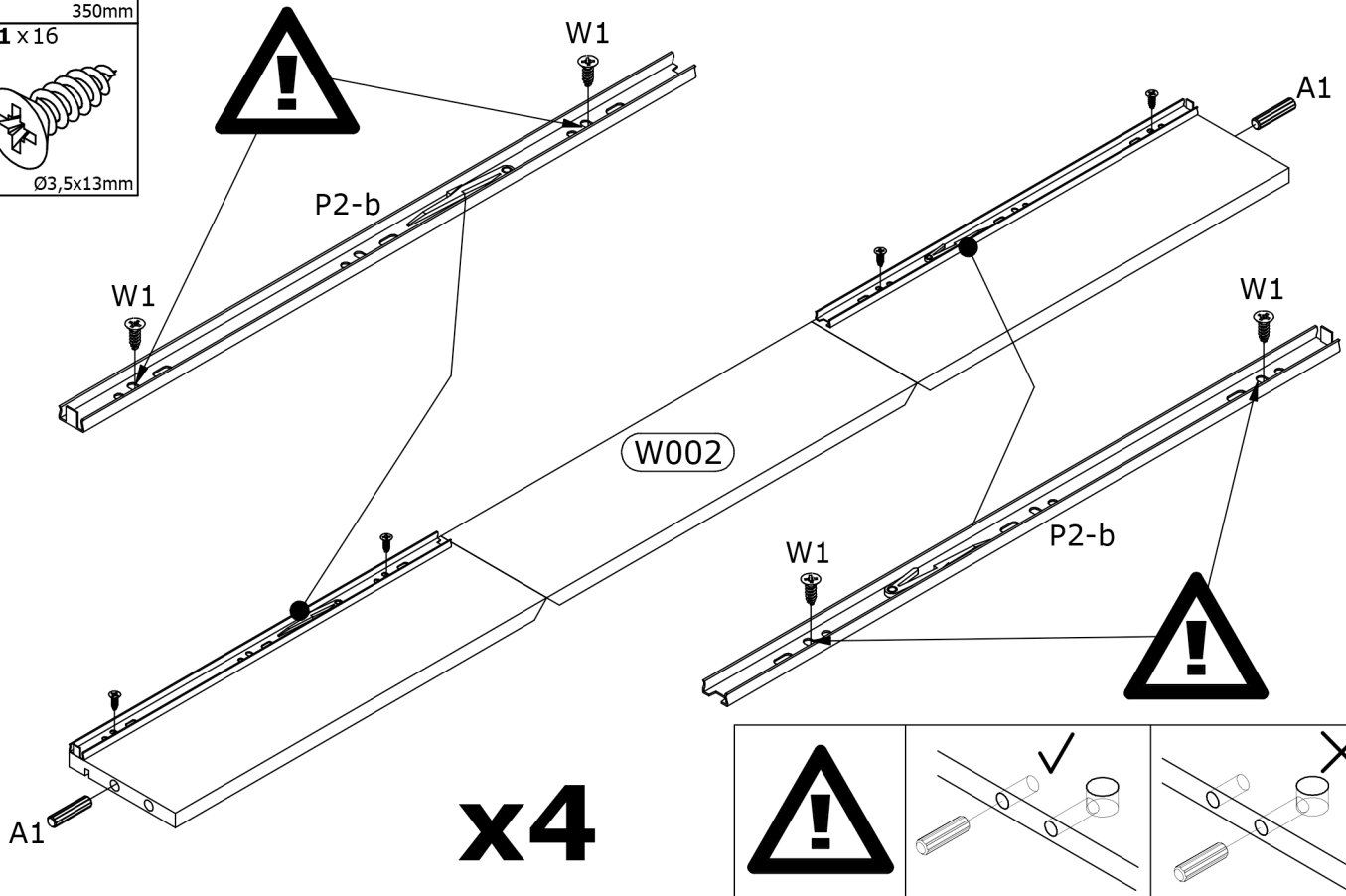
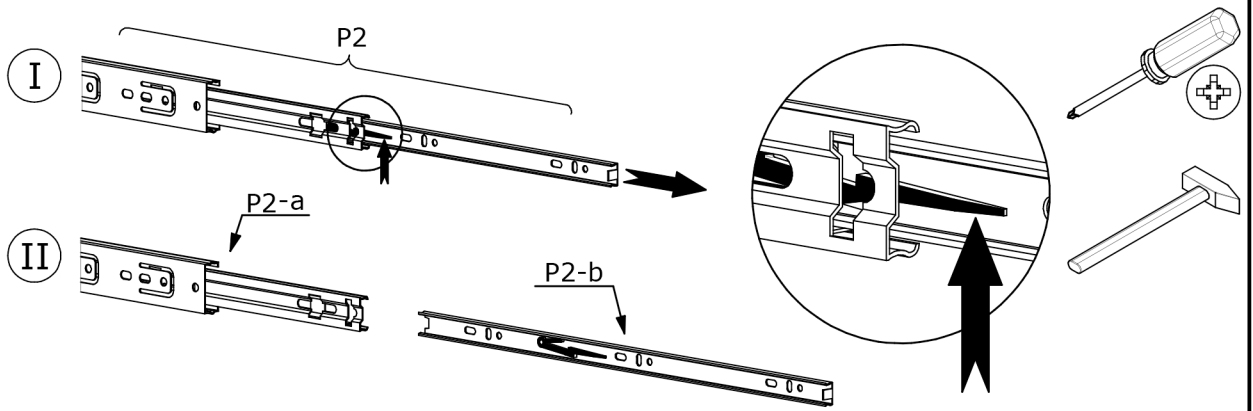


No	L[mm]	W[mm]	H[mm]	PCS	BOX
W002	1049	100	12	4	1/3
010	396	189	18	4	2/3
034	396	761	18	2	2/3
1229	757	400	15	1	1/3
1230	757	400	15	1	1/3
176	832	400	15	1	2/3
177	832	400	15	1	2/3
231	1302	430	36	1	1/3
311	1270	400	15	1	1/3
318	433	400	15	2	1/3
405	1269	60	15	1	1/3
5101	1297	402	2,5	1	1/3
5102	1297	402	2,5	1	1/3
516	351	336	2,5	4	1/3
680	832	50	22	1	2/3
681	832	50	22	1	2/3

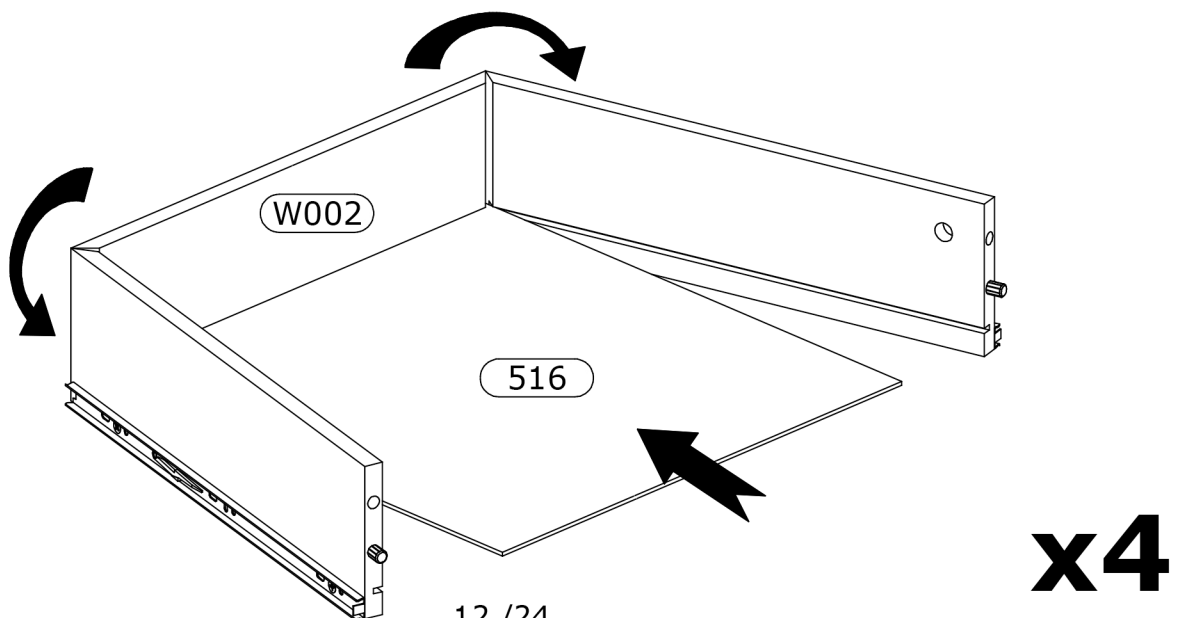


1

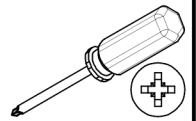
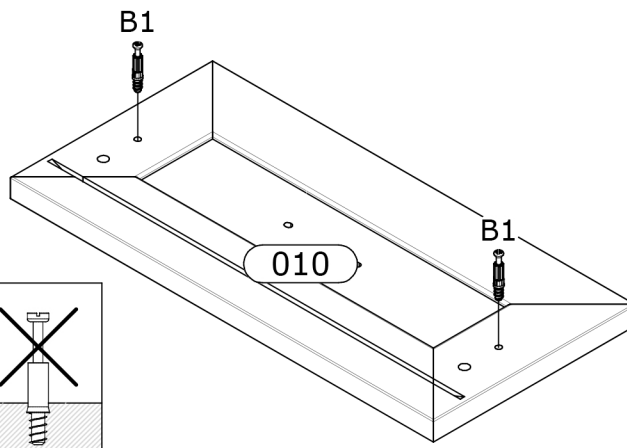
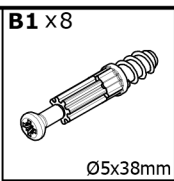
- A1** x 8
Ø8x35mm
- P2** x 8
350mm
- W1** x 16
Ø3,5x13mm



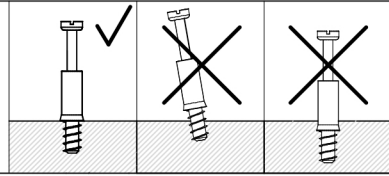
2



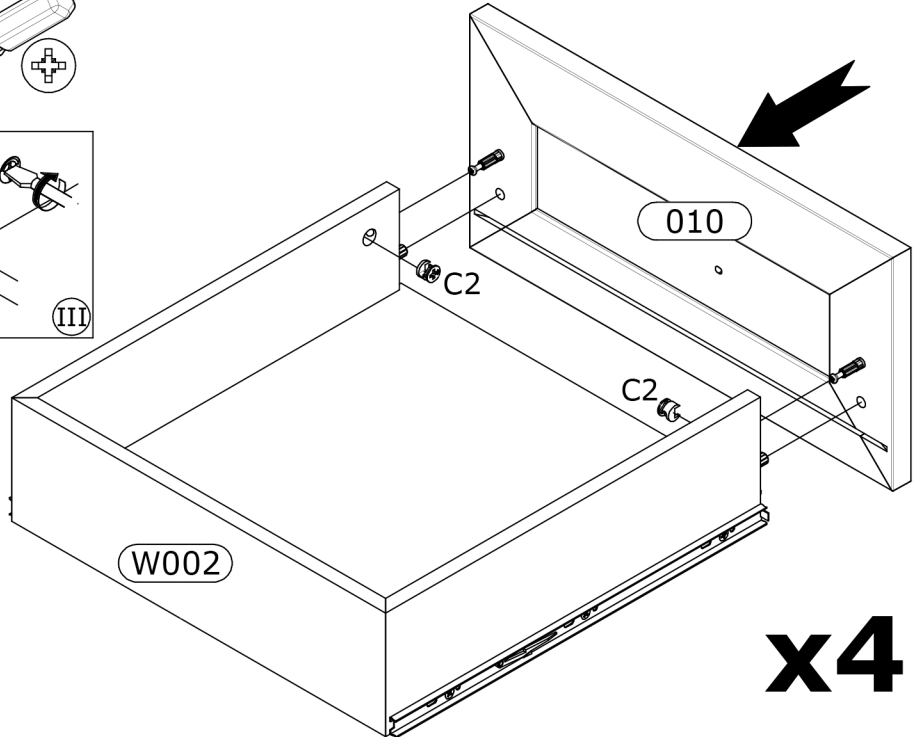
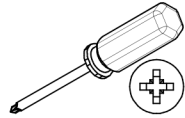
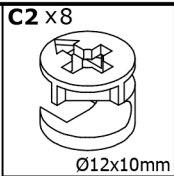
3



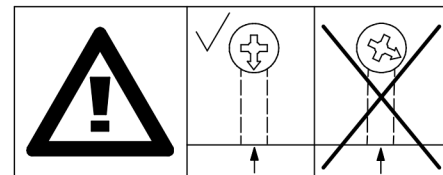
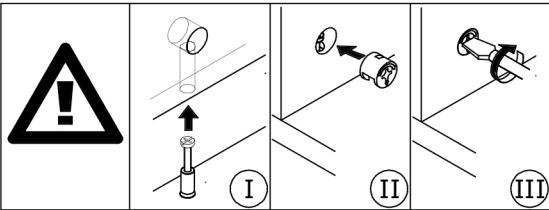
x4



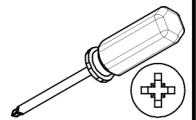
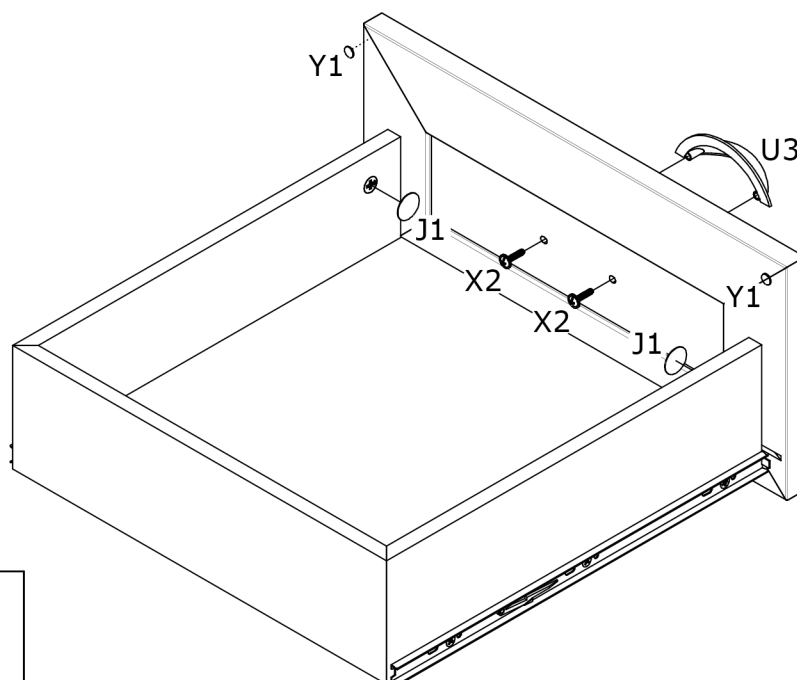
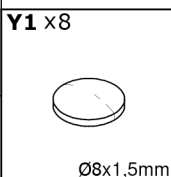
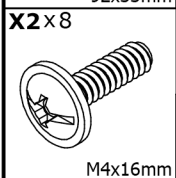
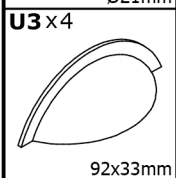
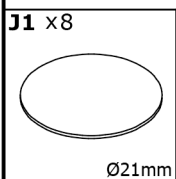
4



x4

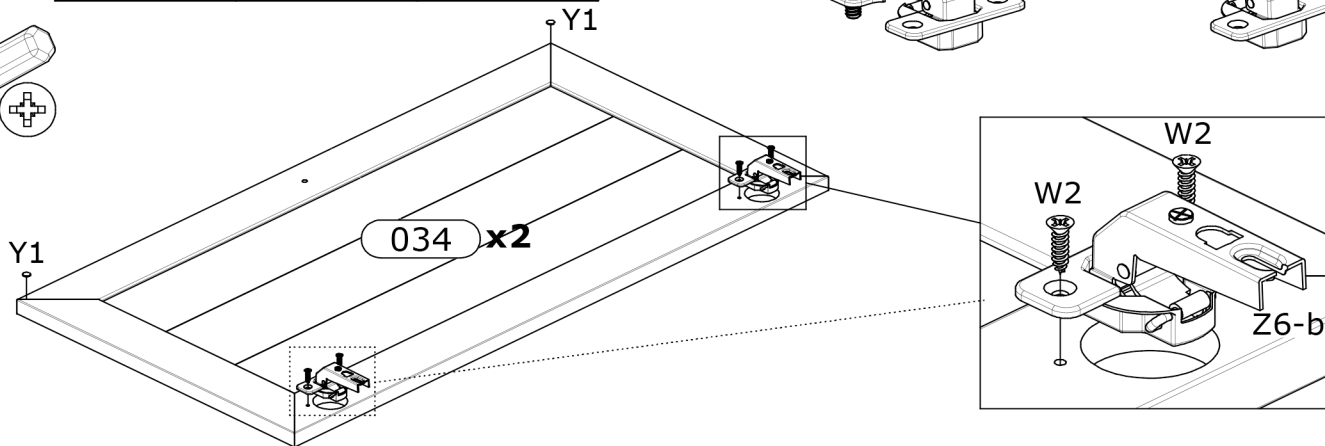
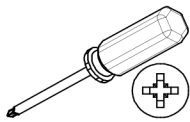
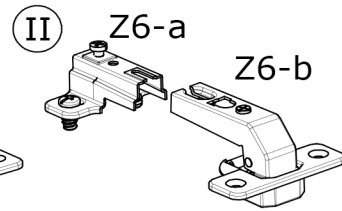
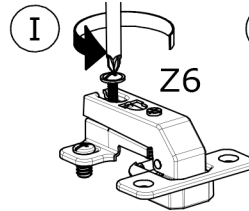
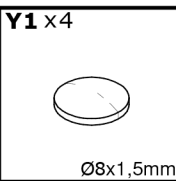
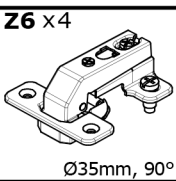
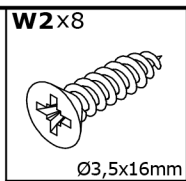


5

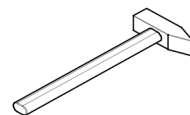
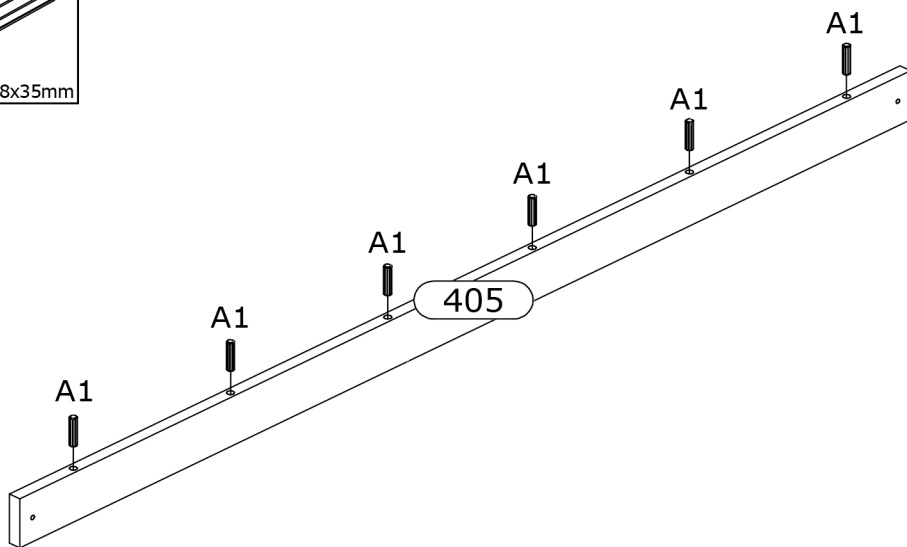
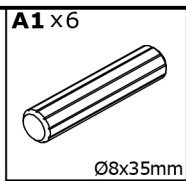


x4

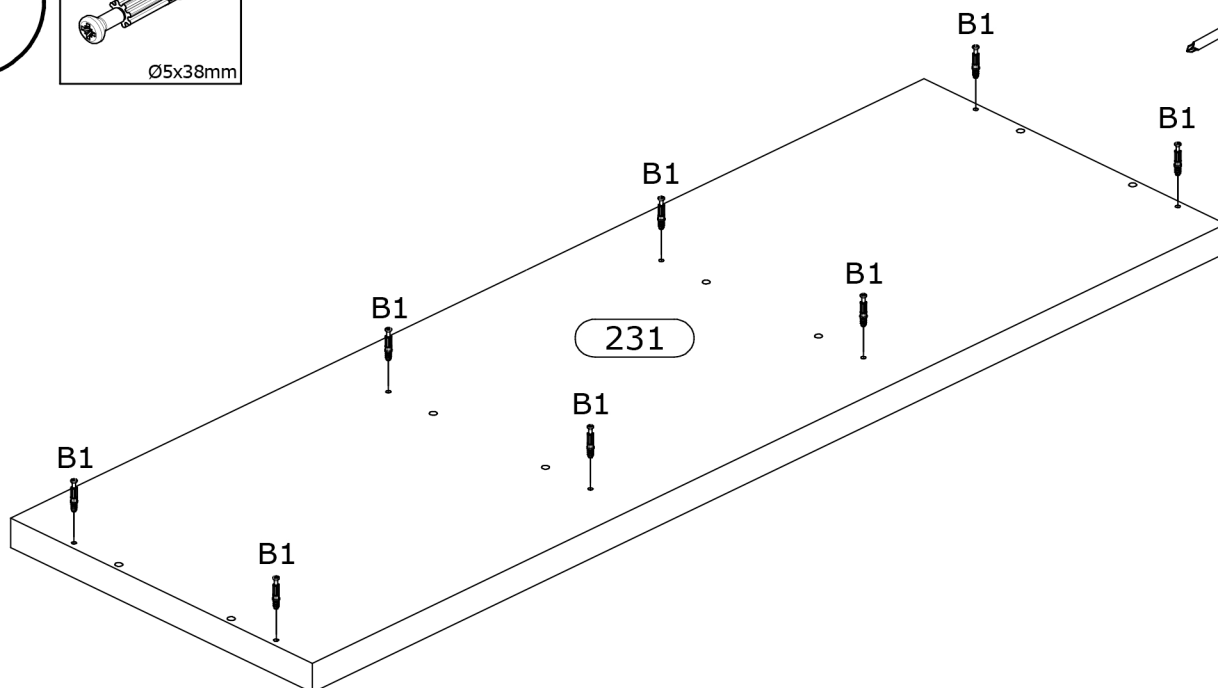
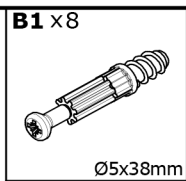
6



7

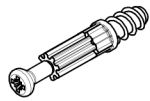


8



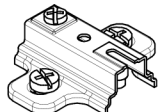
9

B1 x 6

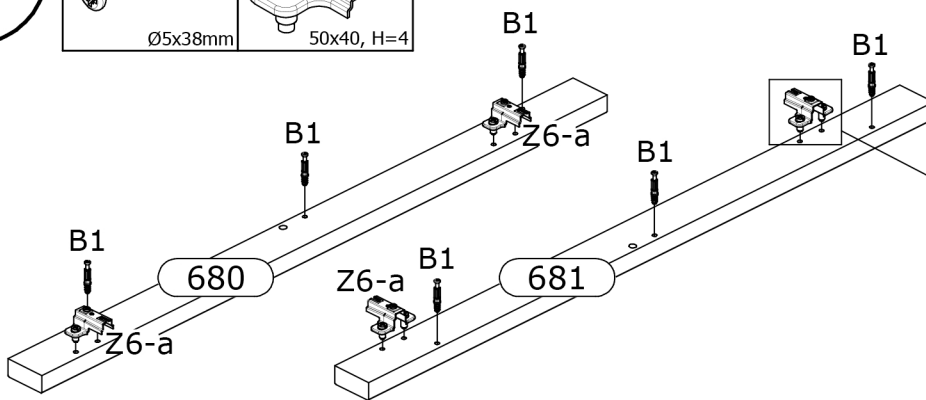


Ø5x38mm

Z6-a x 4

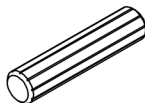


50x40, H=4



10

A1 x 4



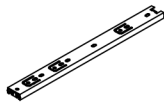
Ø8x35mm

C1 x 4



Ø15x12mm

P2-a x 8

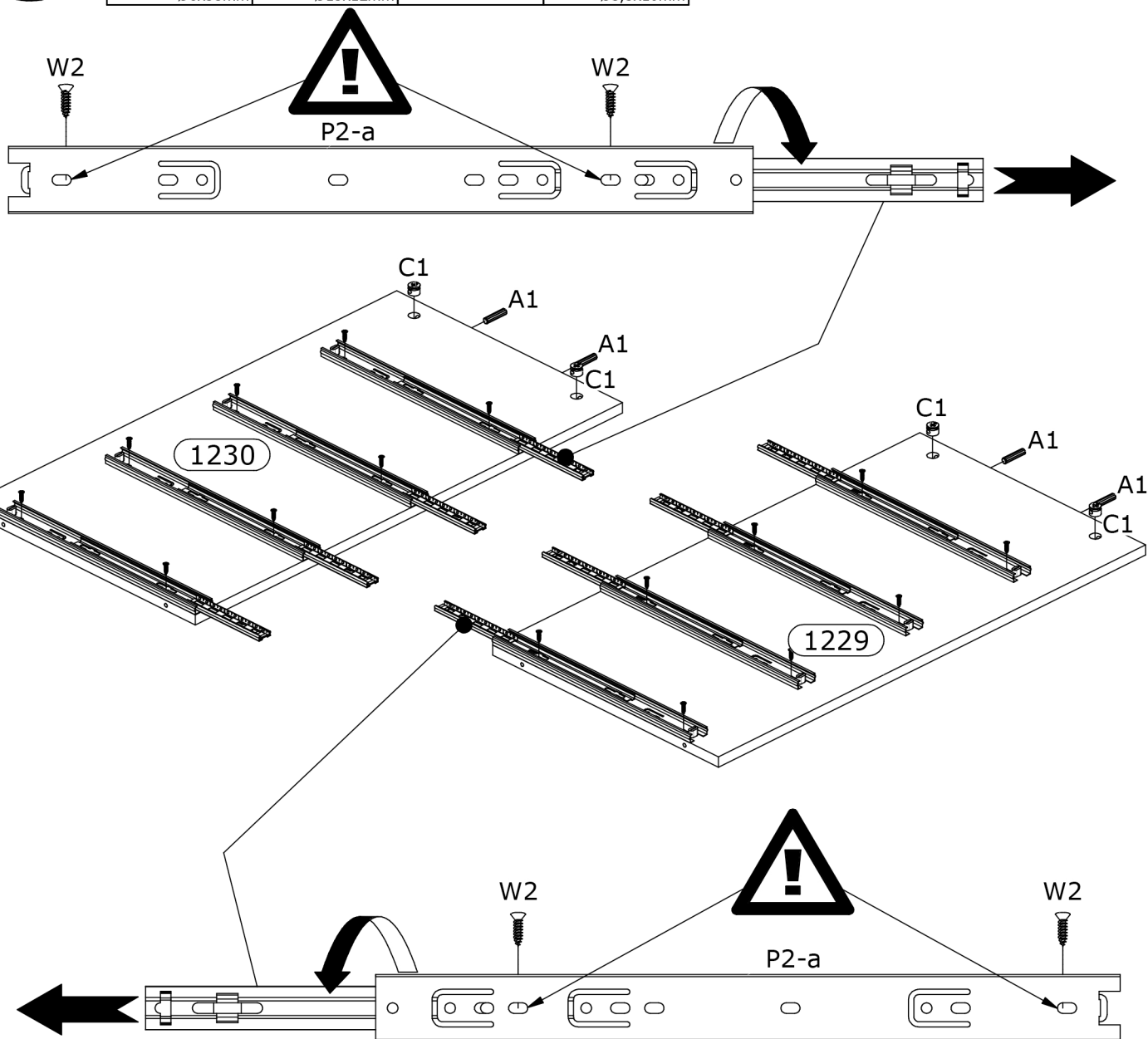
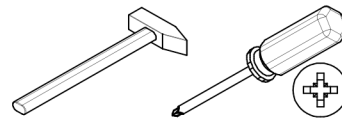


350mm

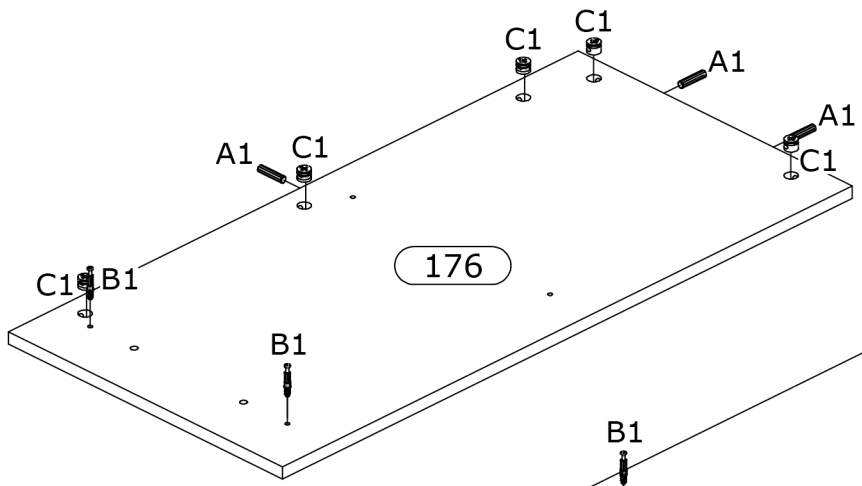
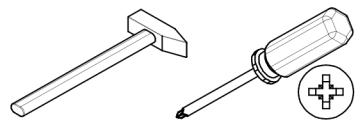
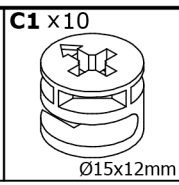
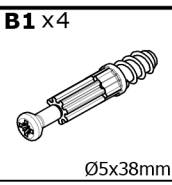
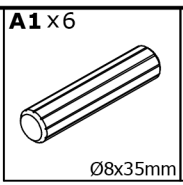
W2 x 16



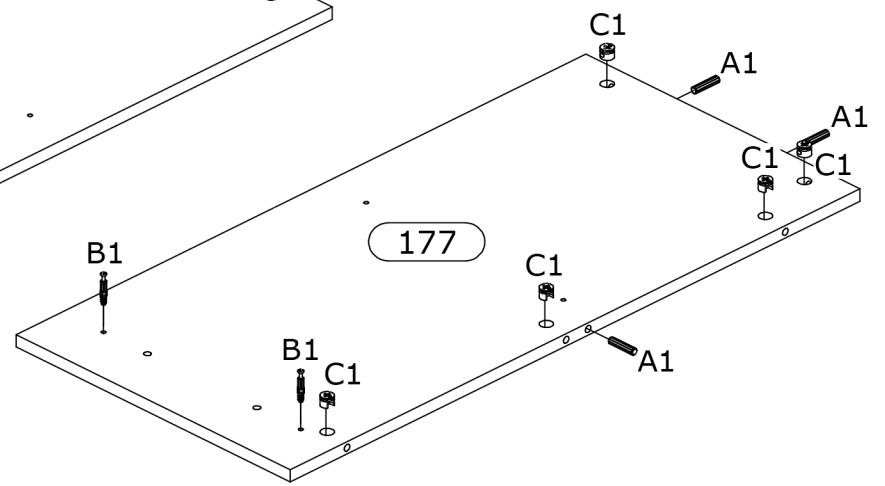
Ø3,5x16mm



11

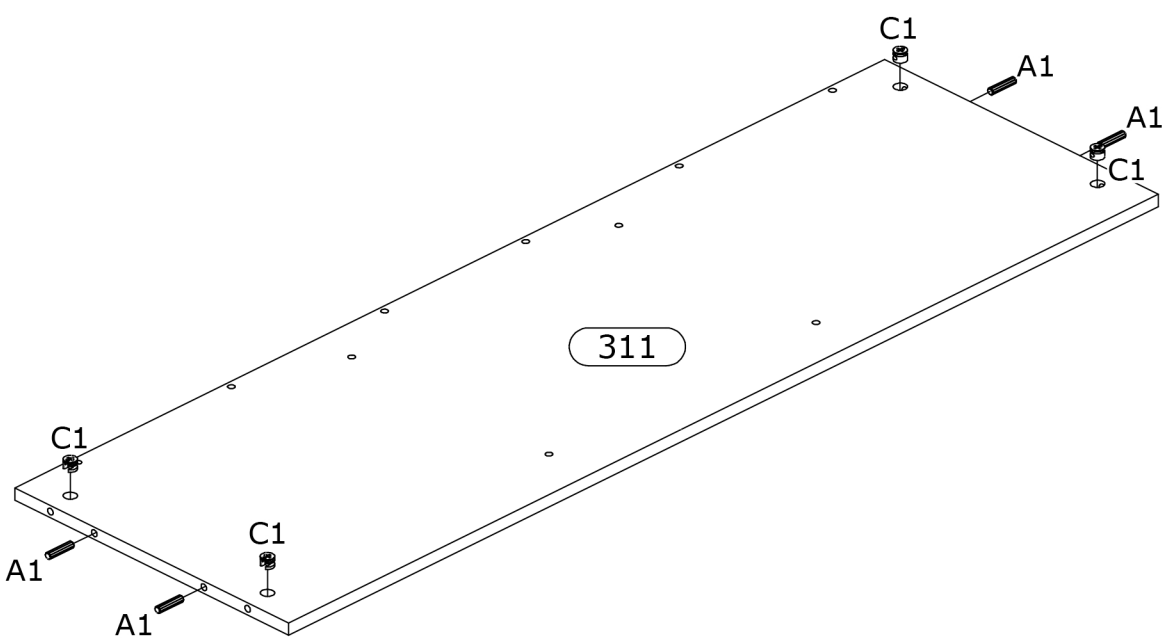
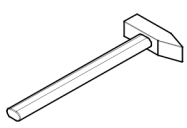
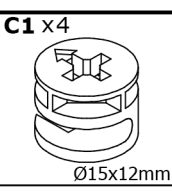
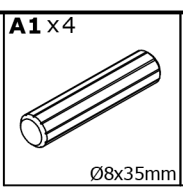


176



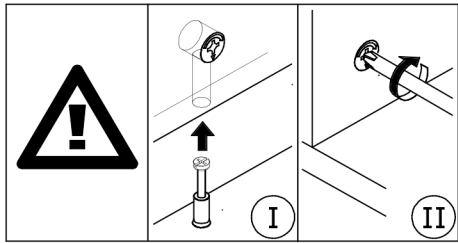
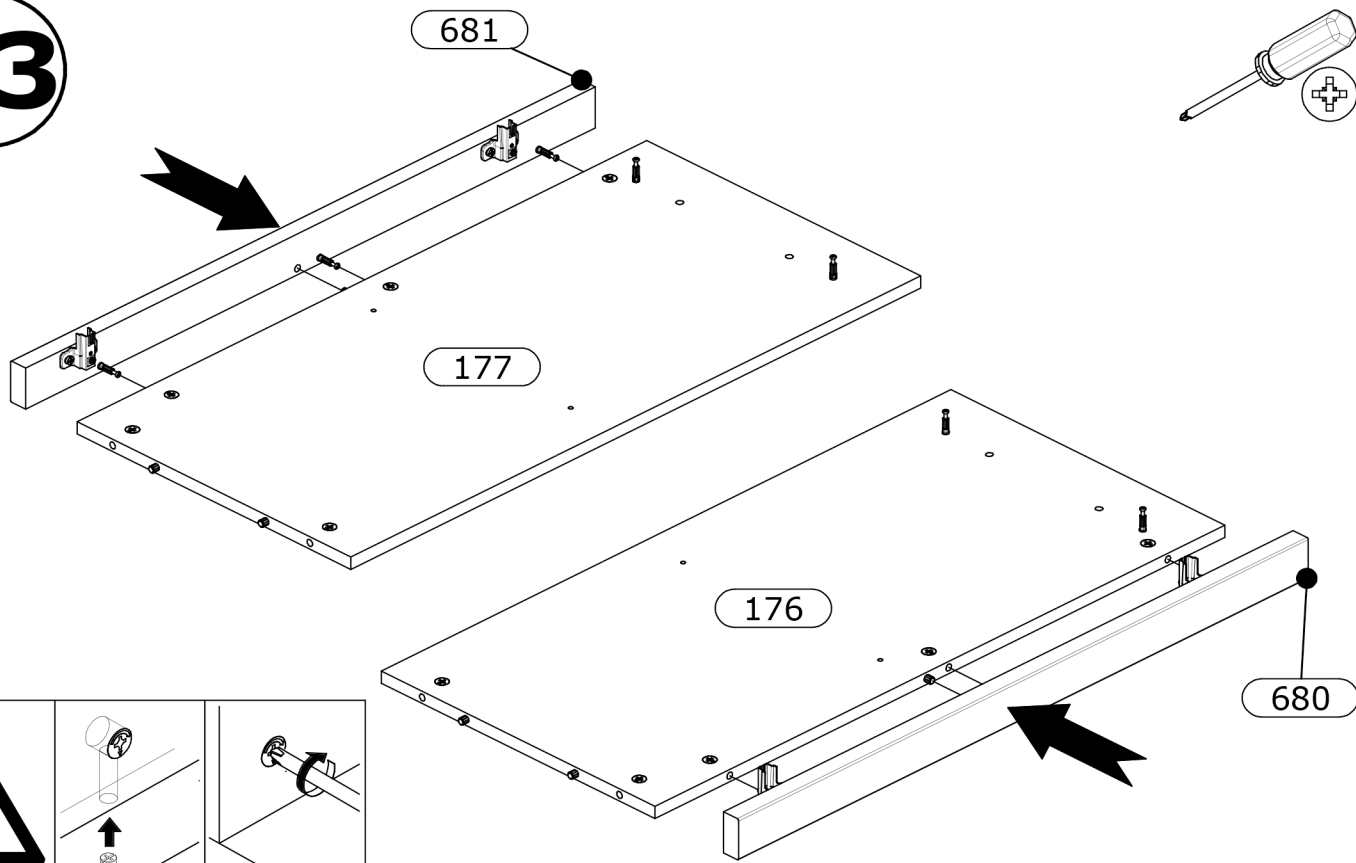
177

12

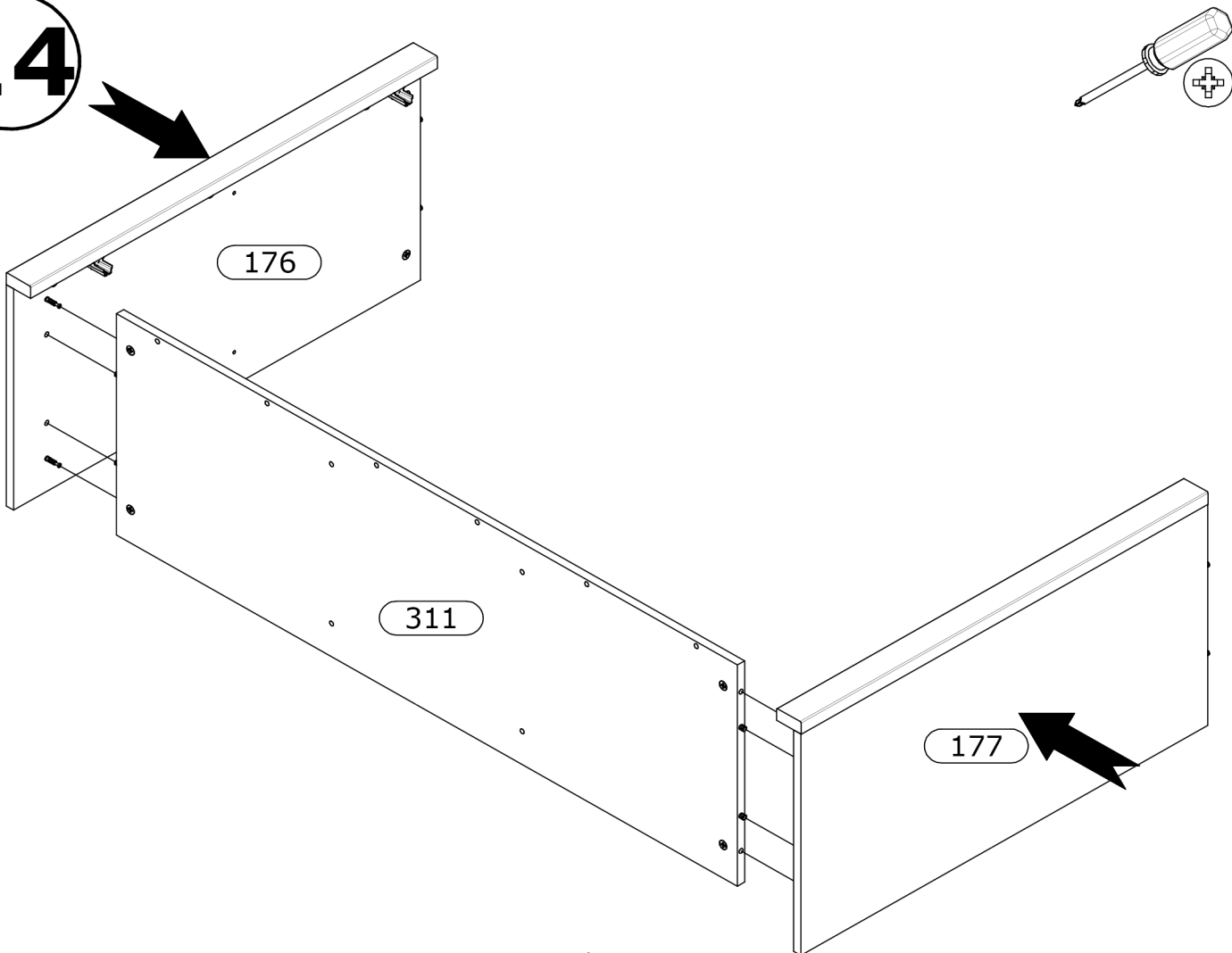


311

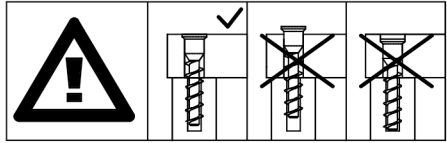
13



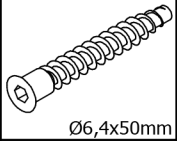
14



15



K1 x4

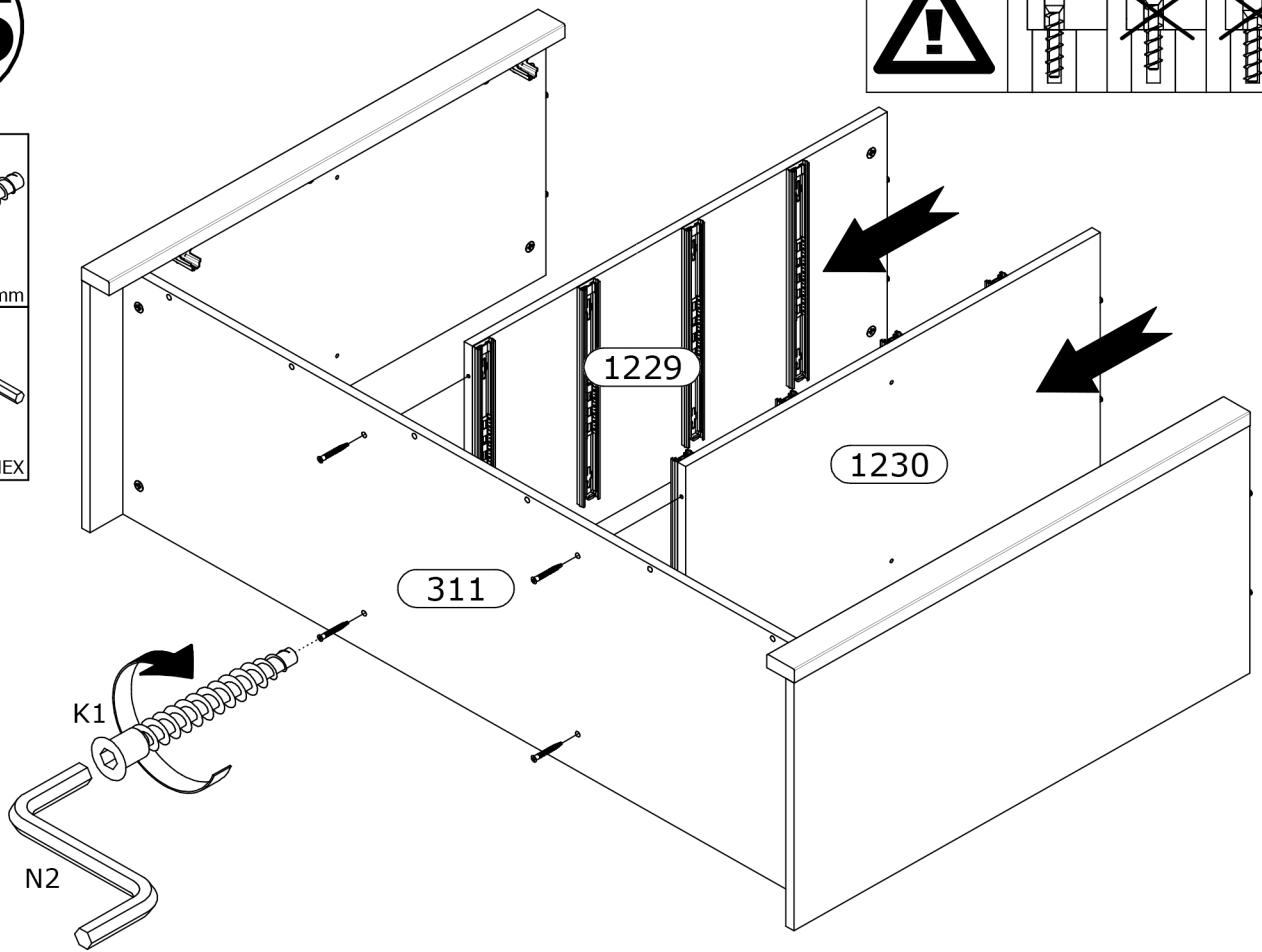


Ø6,4x50mm

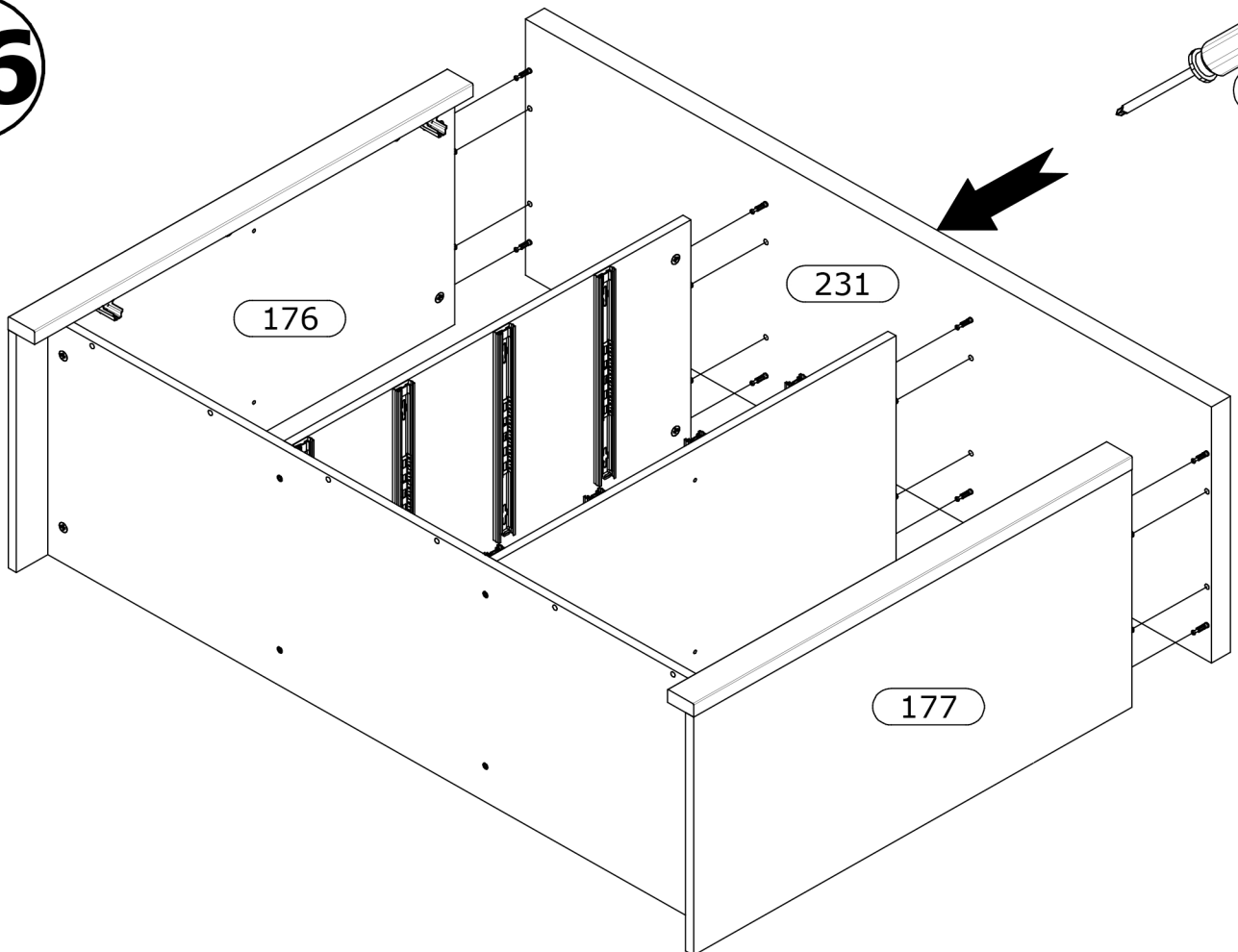
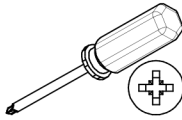
N2 x1



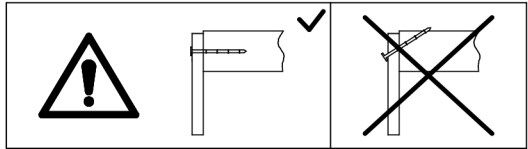
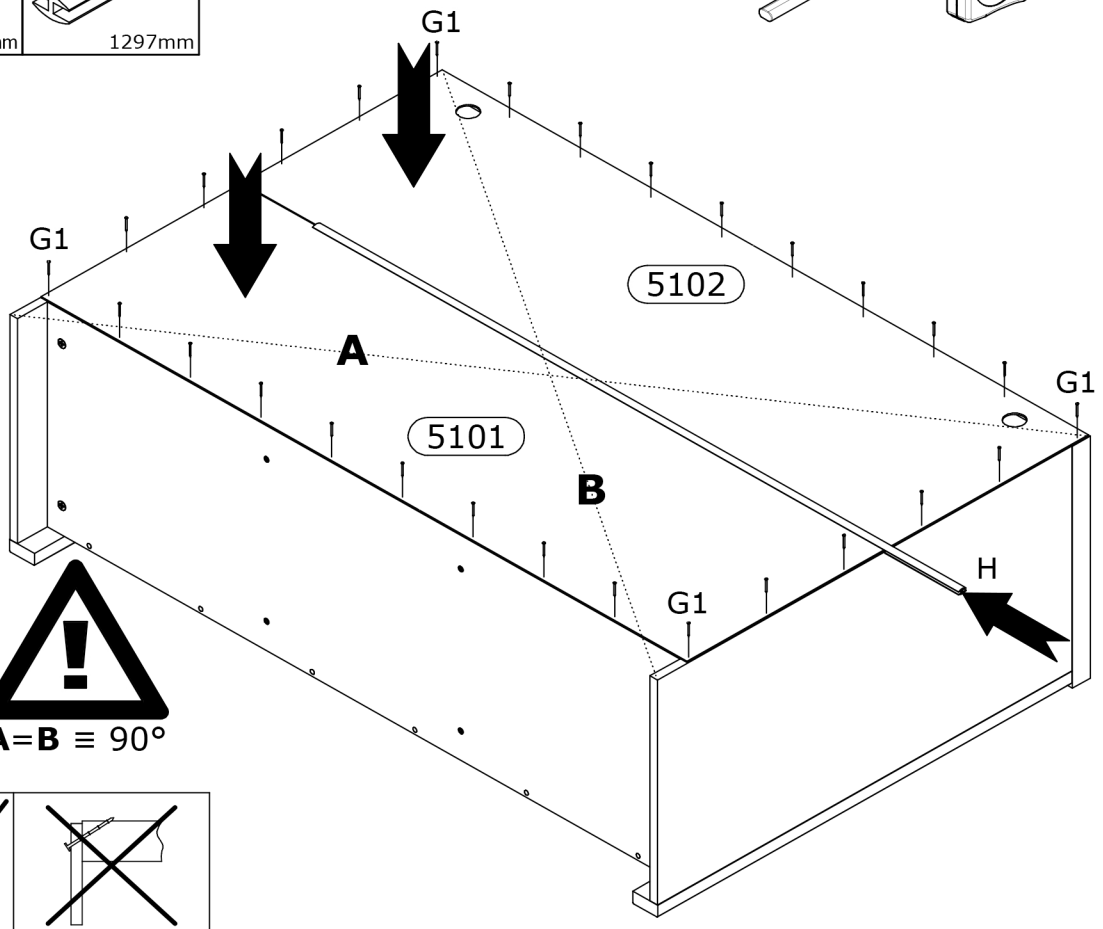
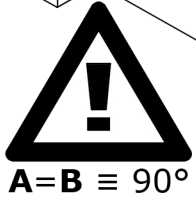
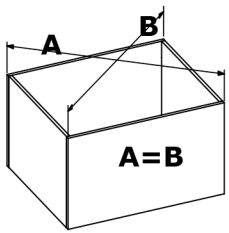
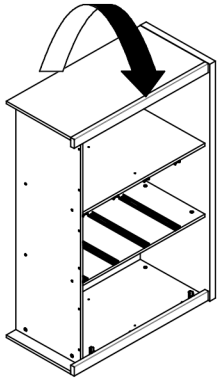
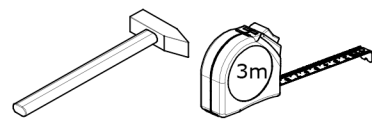
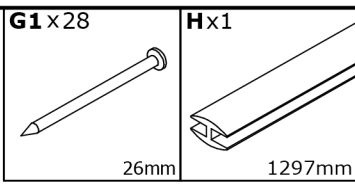
4mm HEX



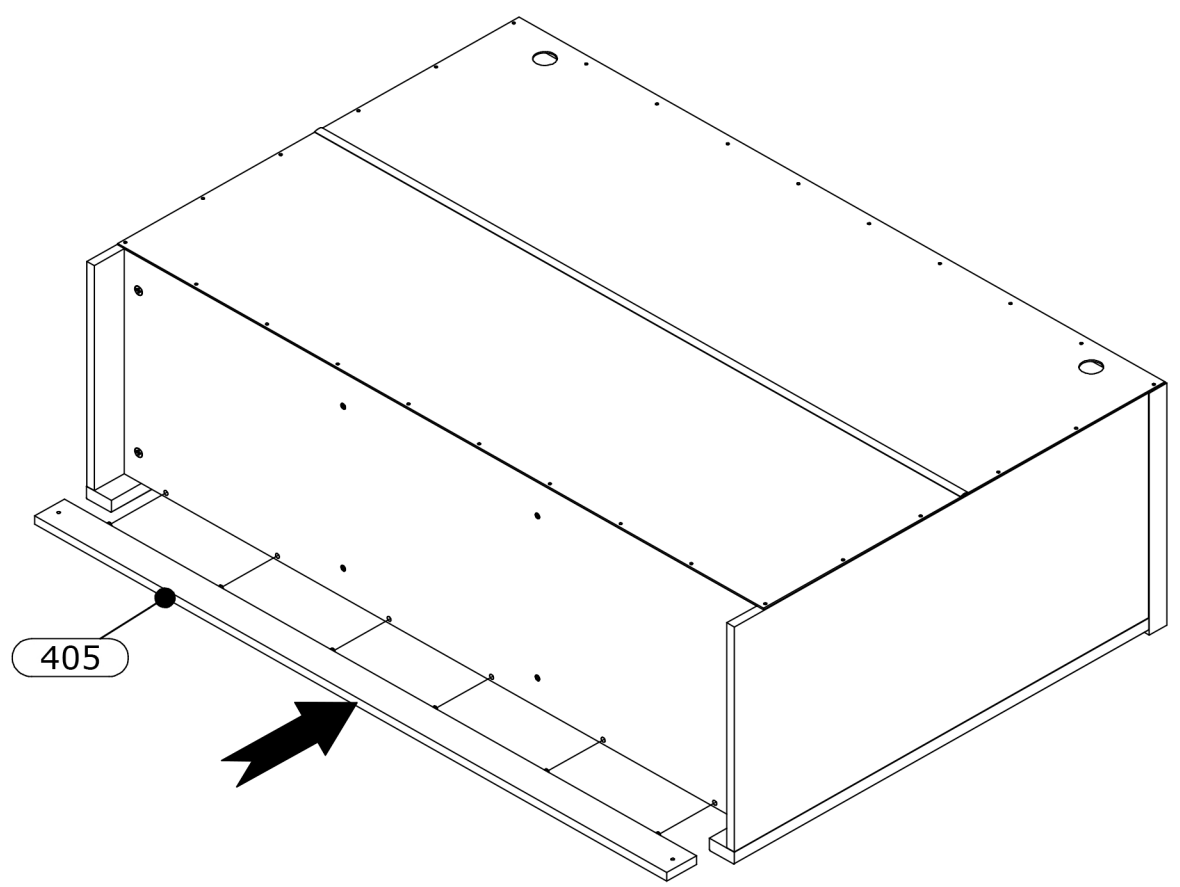
16



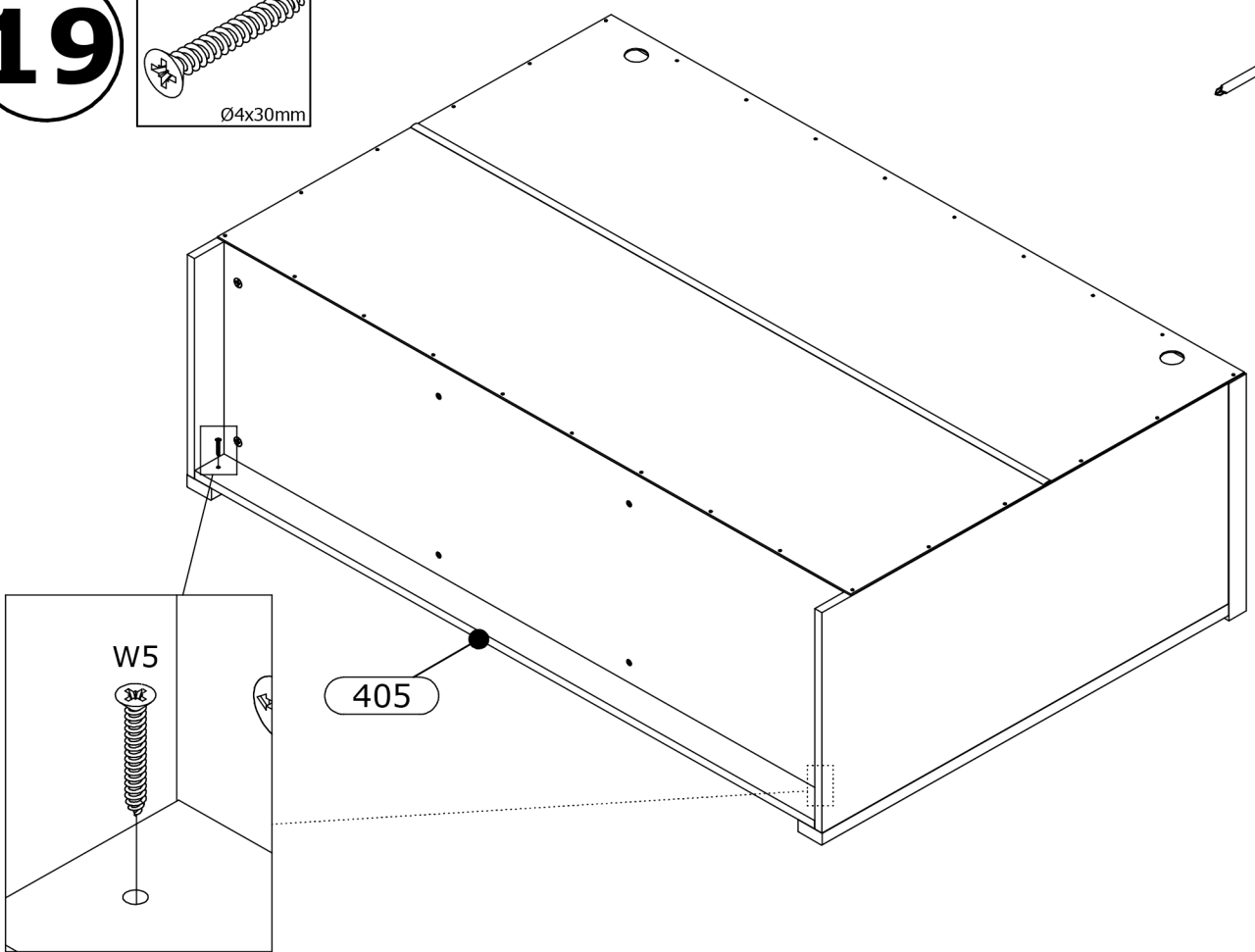
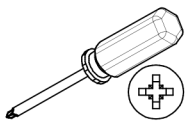
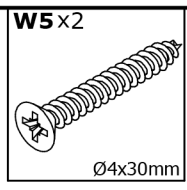
17



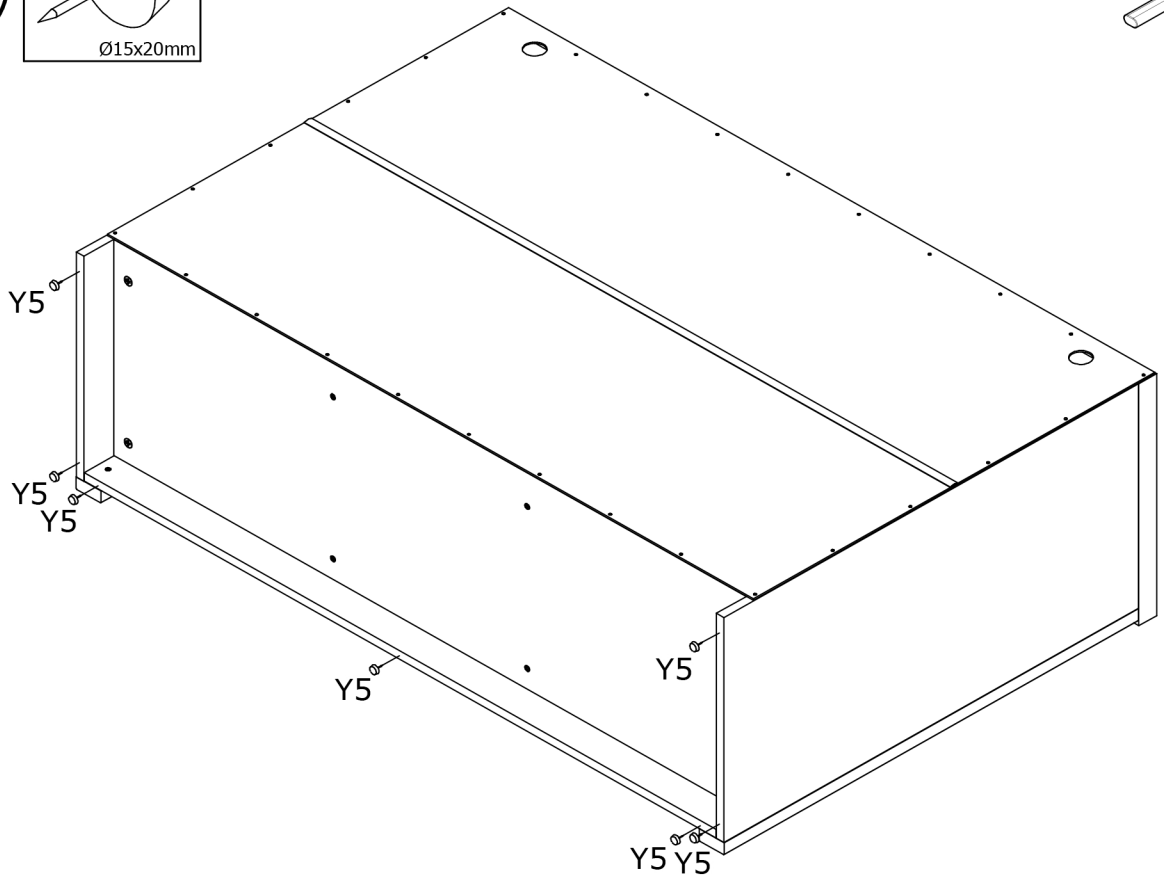
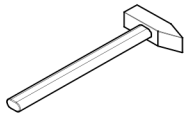
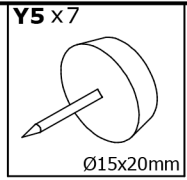
18



19

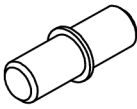


20



21

E1 x8

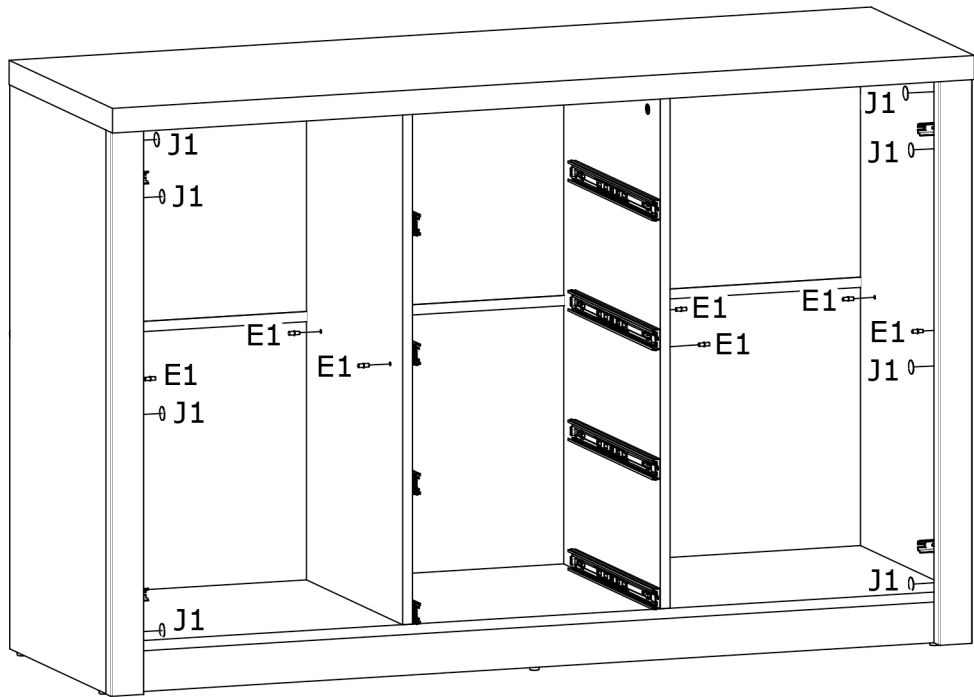
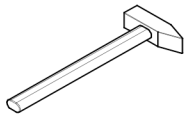


Ø5x16mm

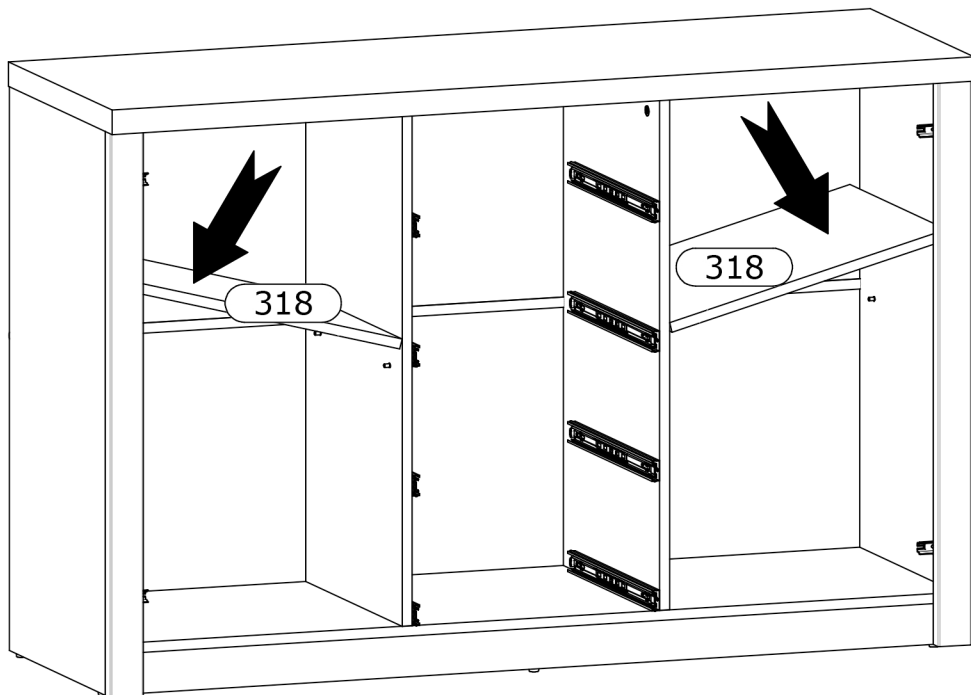
J1 x10



Ø21mm

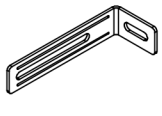


22



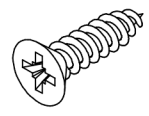
23

T4 x 2

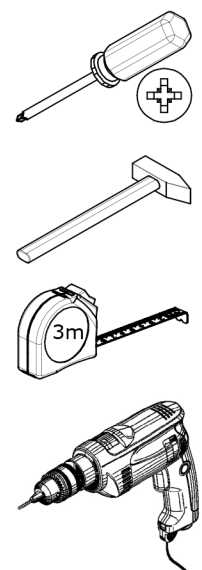
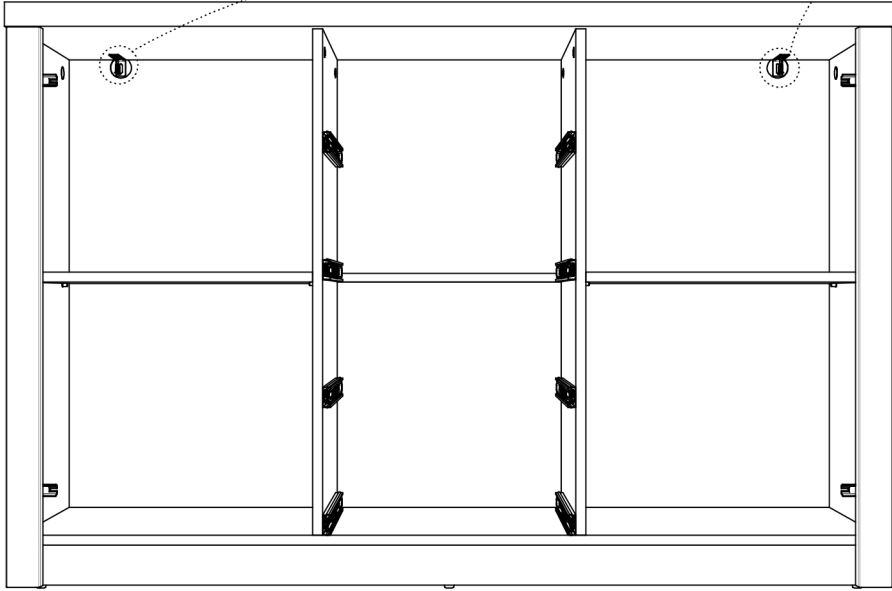
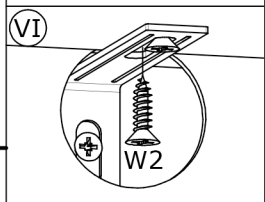
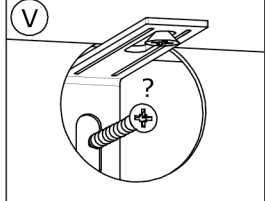
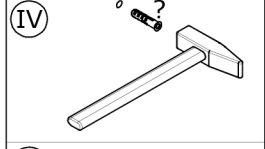
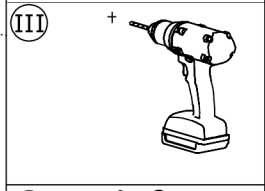
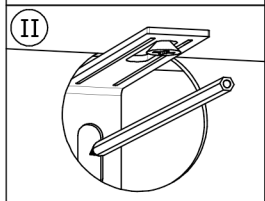
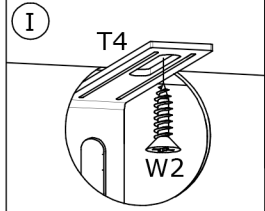
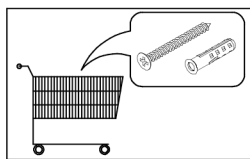
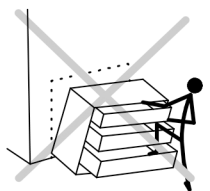
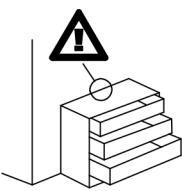
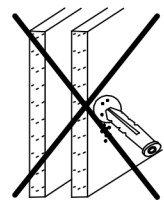
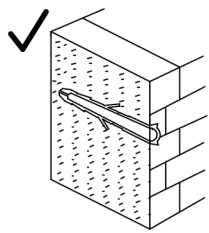


75x28x16 mm

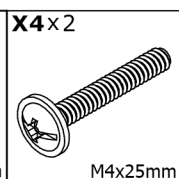
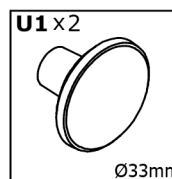
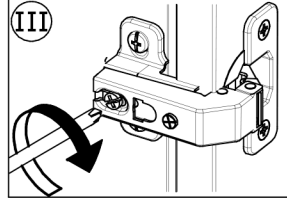
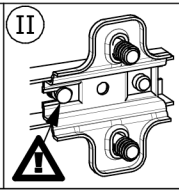
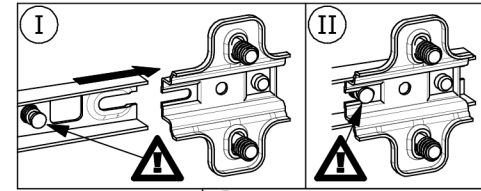
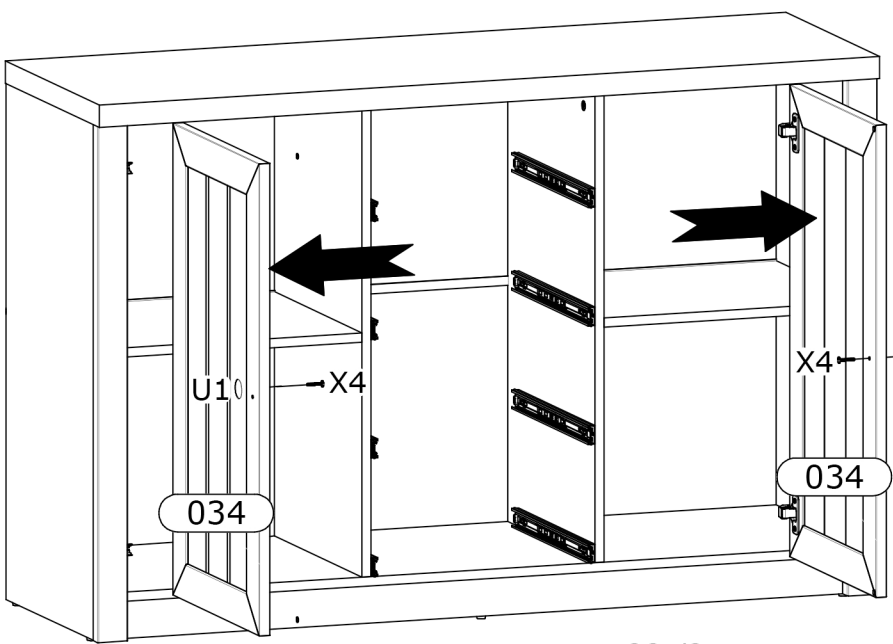
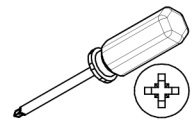
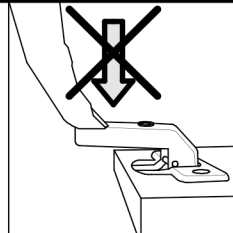
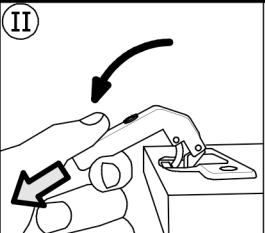
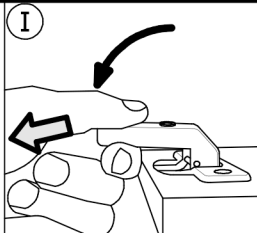
W2 x 4



Ø3,5x16mm



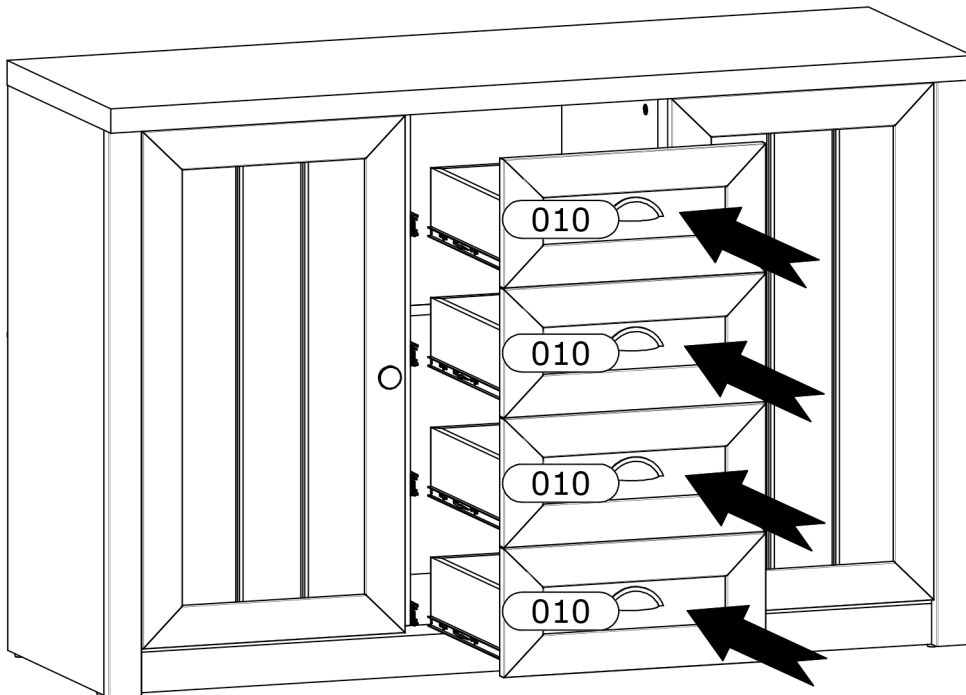
24



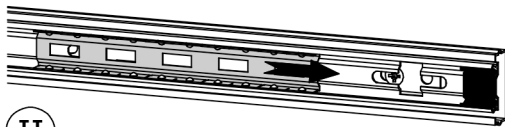
Ø33mm

M4x25mm

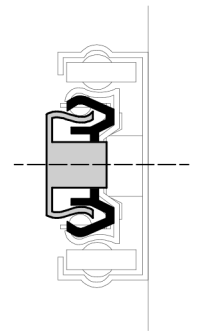
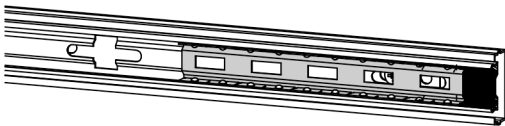
25



I

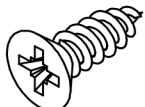


II

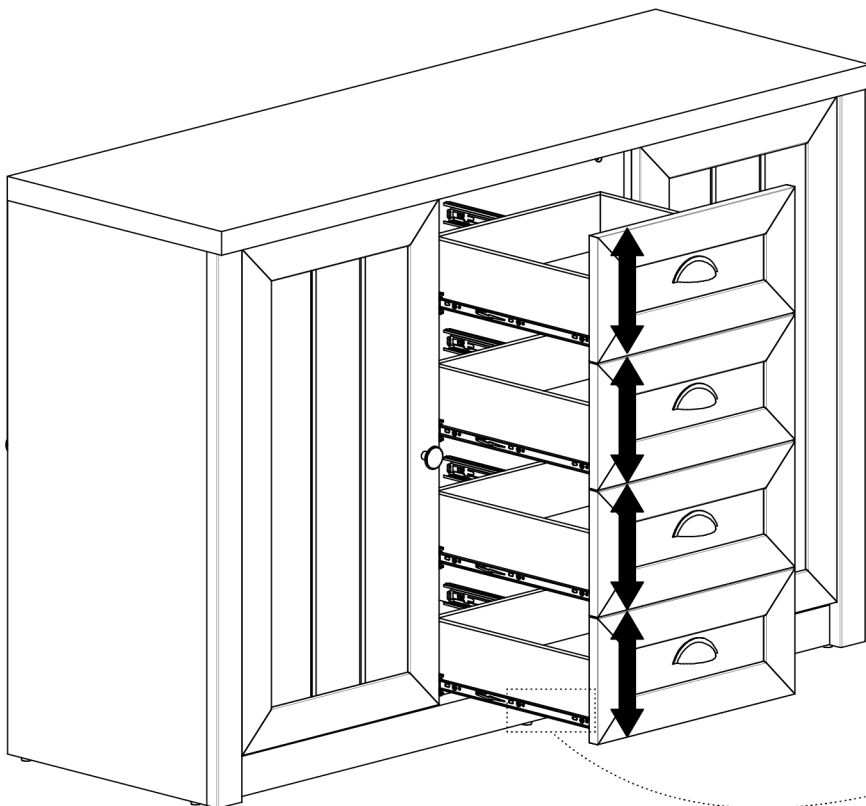
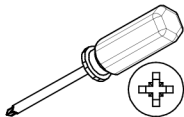


26

W1 x 8



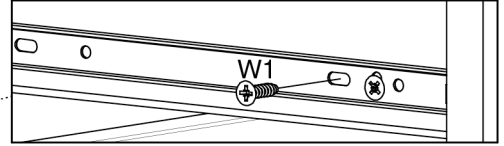
Ø3,5x13mm

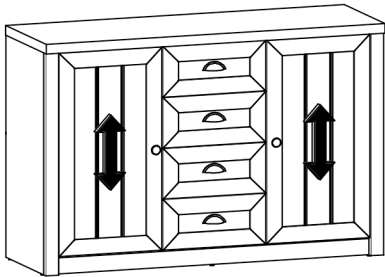
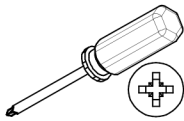


I

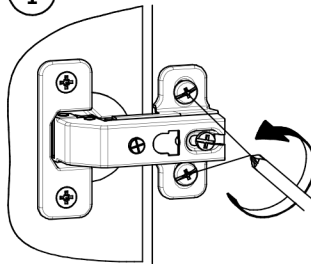


II

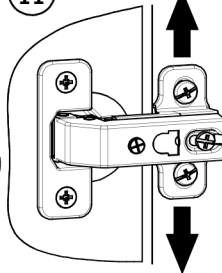




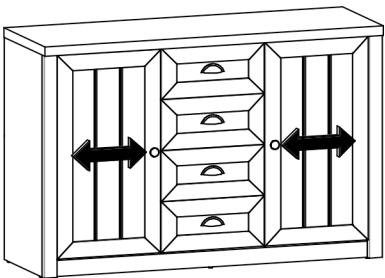
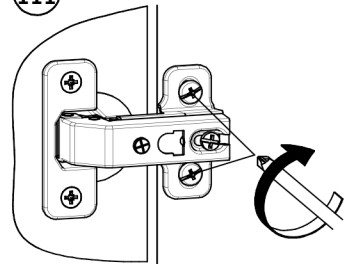
I



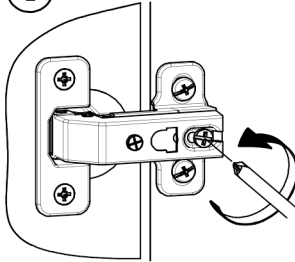
II



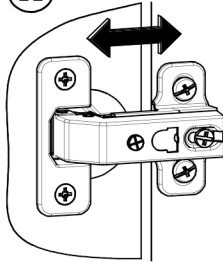
III



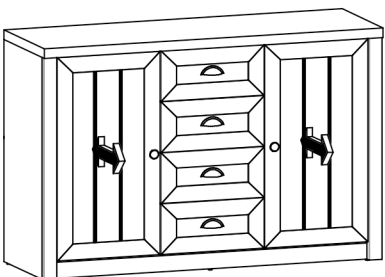
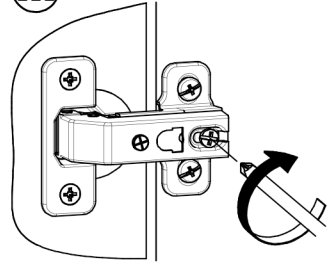
I



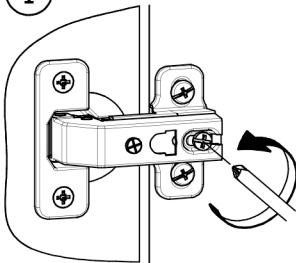
II



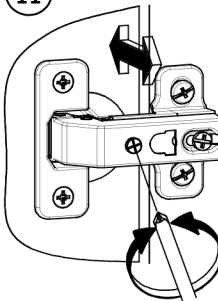
III



I



II



III

