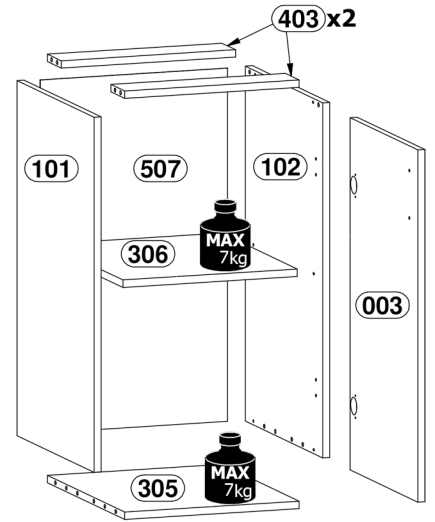
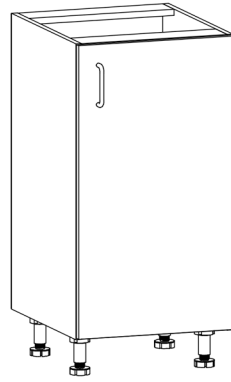
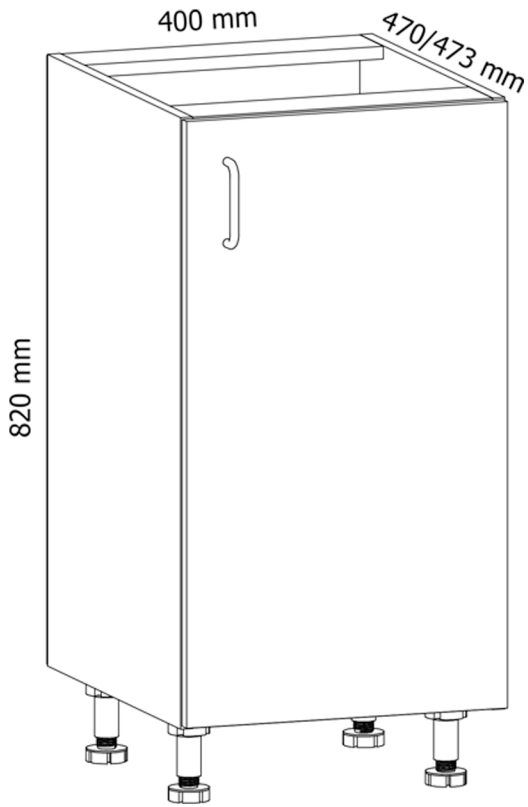


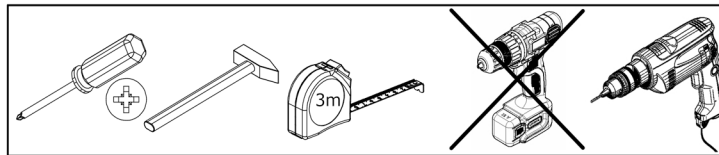
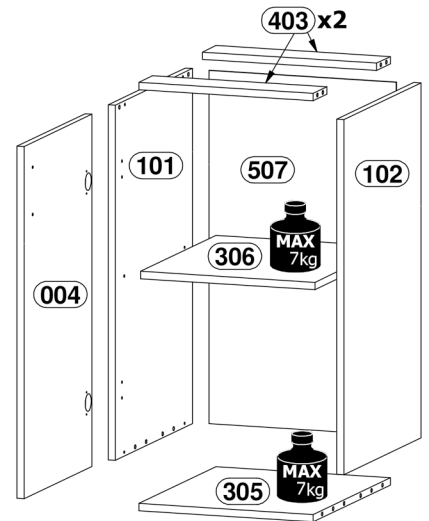
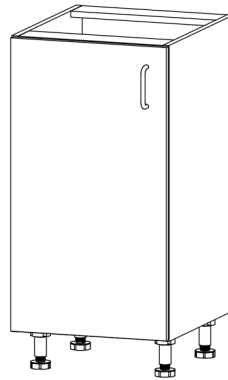
# D40

# S40

## D40(P) / S40



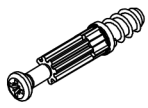
## D40(L)



<b>A1</b> x12  Ø8x35mm	<b>B1</b> x8  Ø5x38mm	<b>C1</b> x8  Ø15x12mm	<b>E4</b> x4  9x11mm	<b>G1</b> x22  26mm
<b>L1</b> x4  Ø50x95mm	<b>U</b> x1 	<b>W2</b> x20  Ø3,5x16mm	<b>X</b> x2 	<b>Zc1</b> x2 
<b>Zc2</b> x2 				

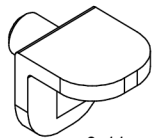
**1**

**B1 x8**

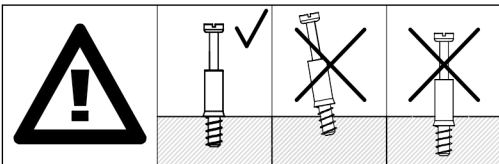
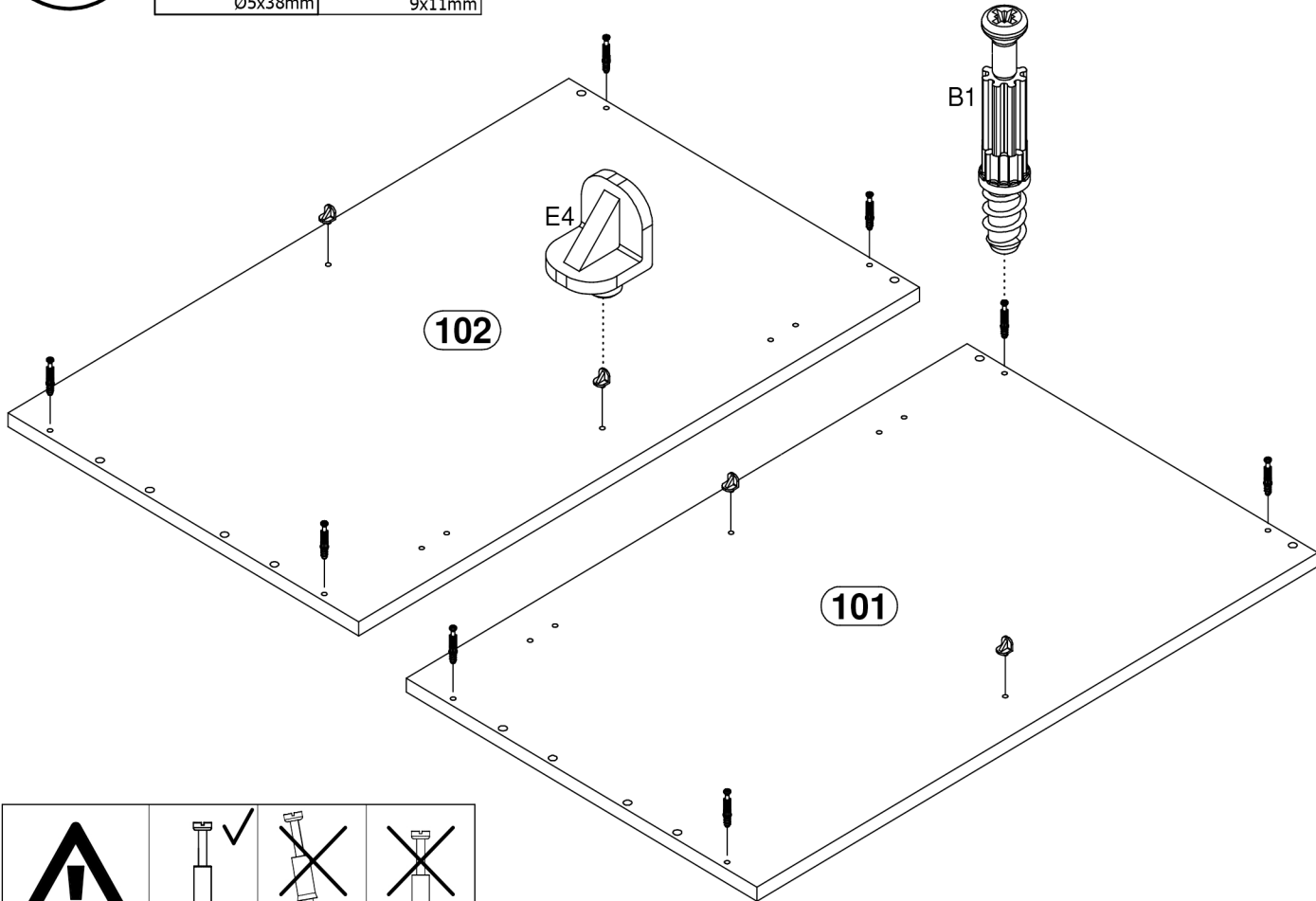
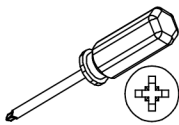


Ø5x38mm

**E4 x4**

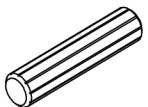


9x11mm



**2**

**A1 x12**

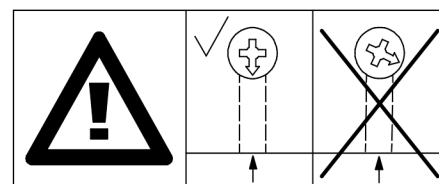
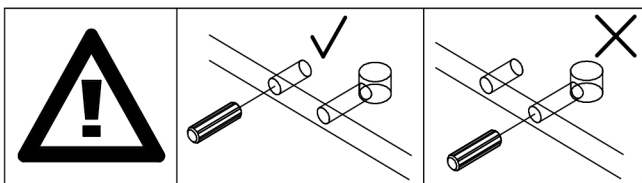
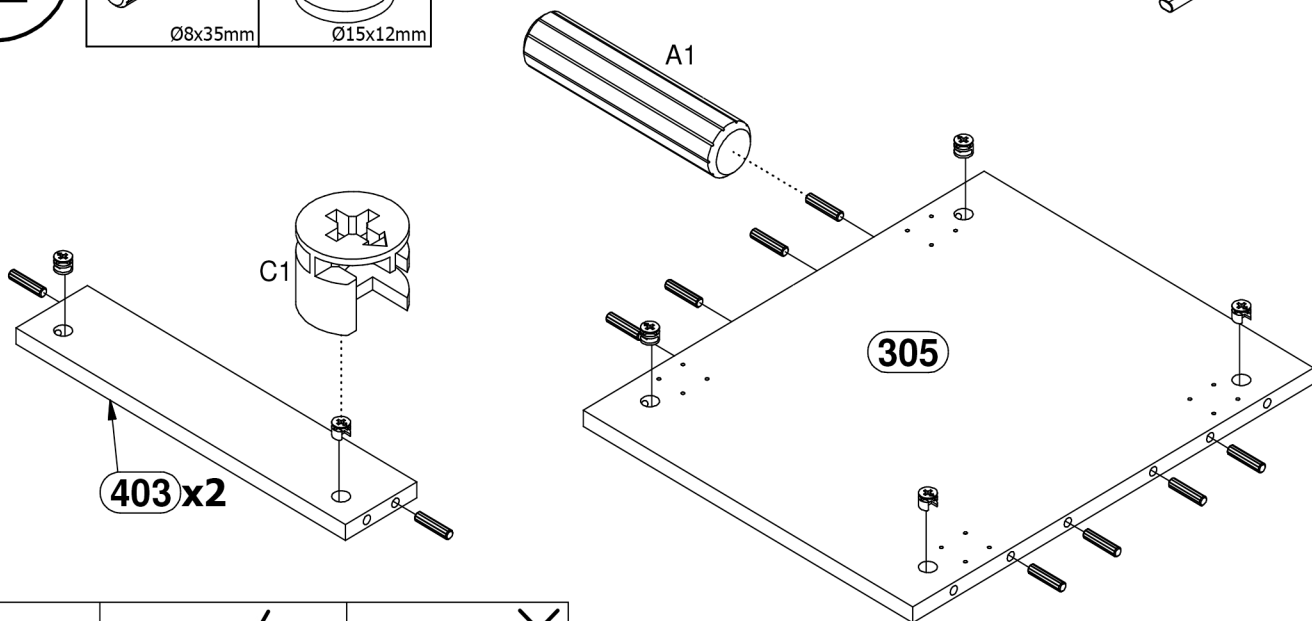
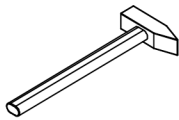


Ø8x35mm

**C1 x8**



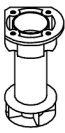
Ø15x12mm



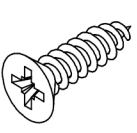
**3**

L1 x 4

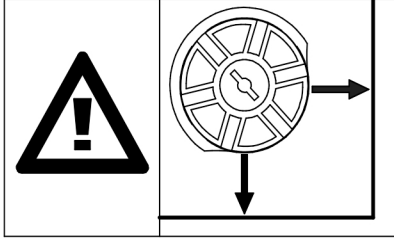
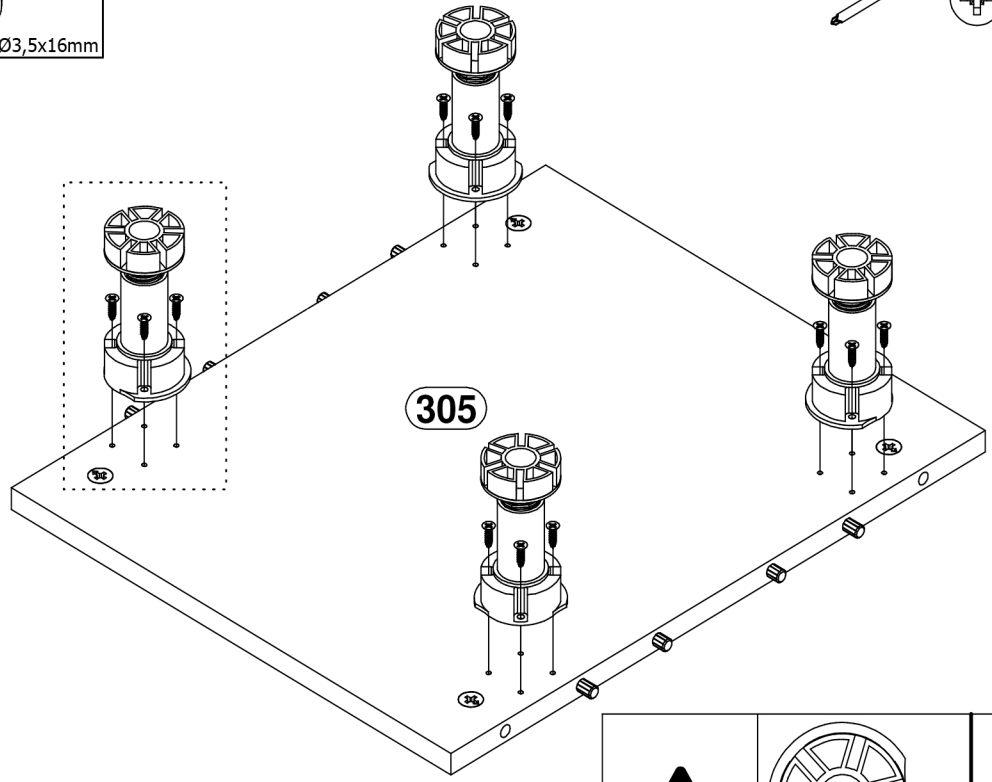
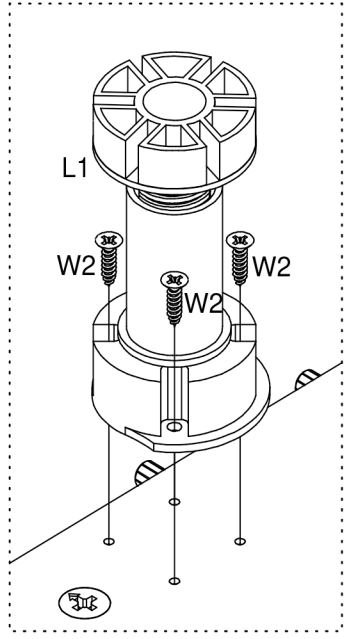
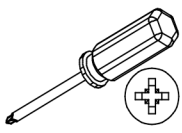
W2 x 16



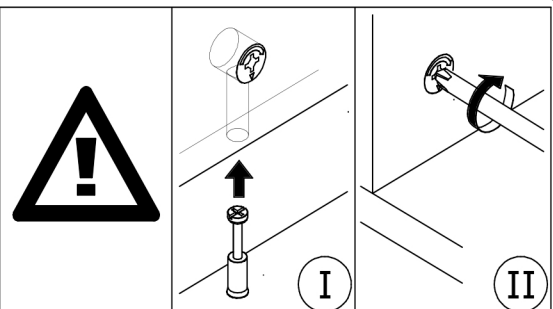
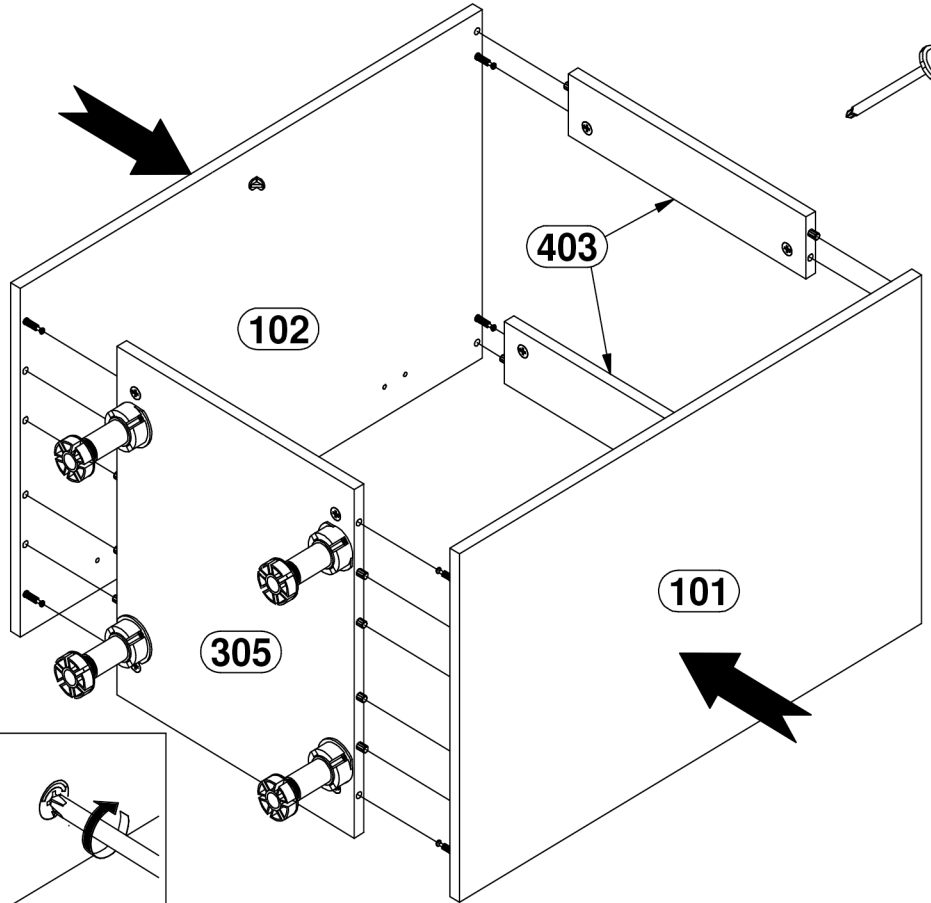
Ø50x95mm



Ø3,5x16mm

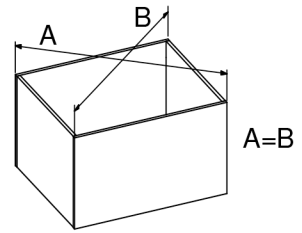
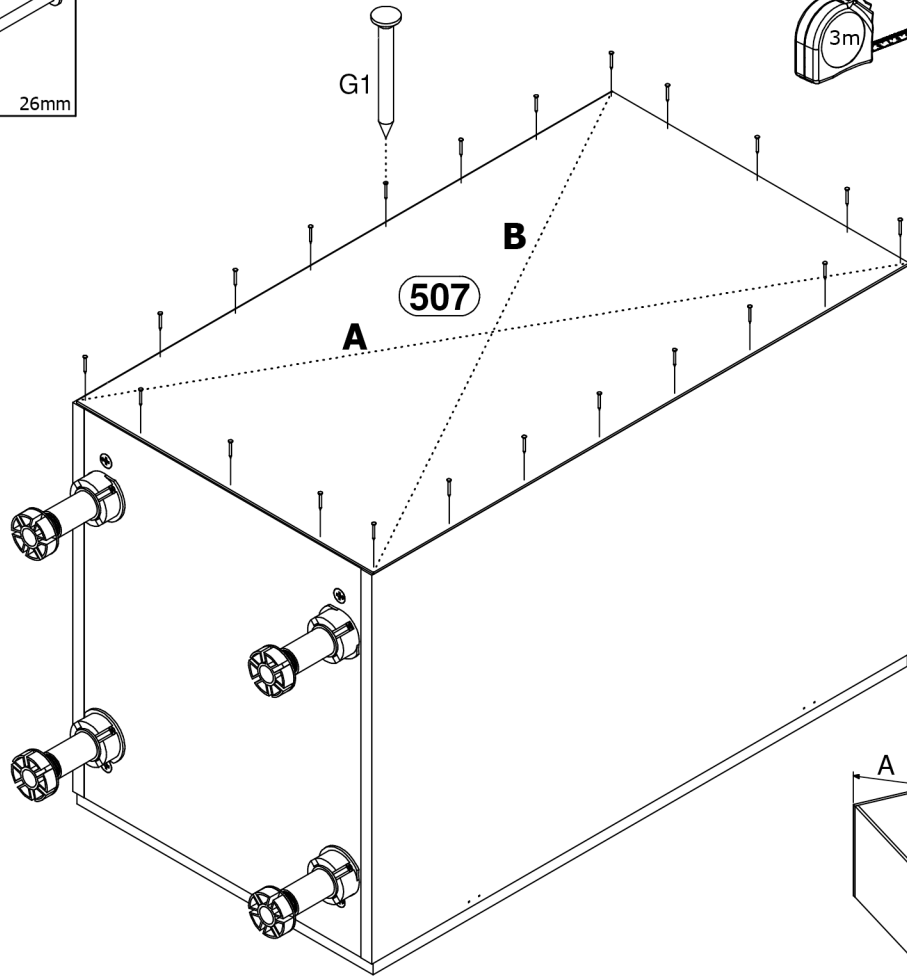
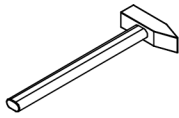
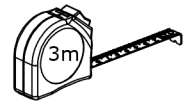
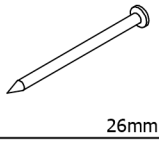


**4**



5

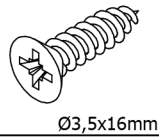
G1 x 22



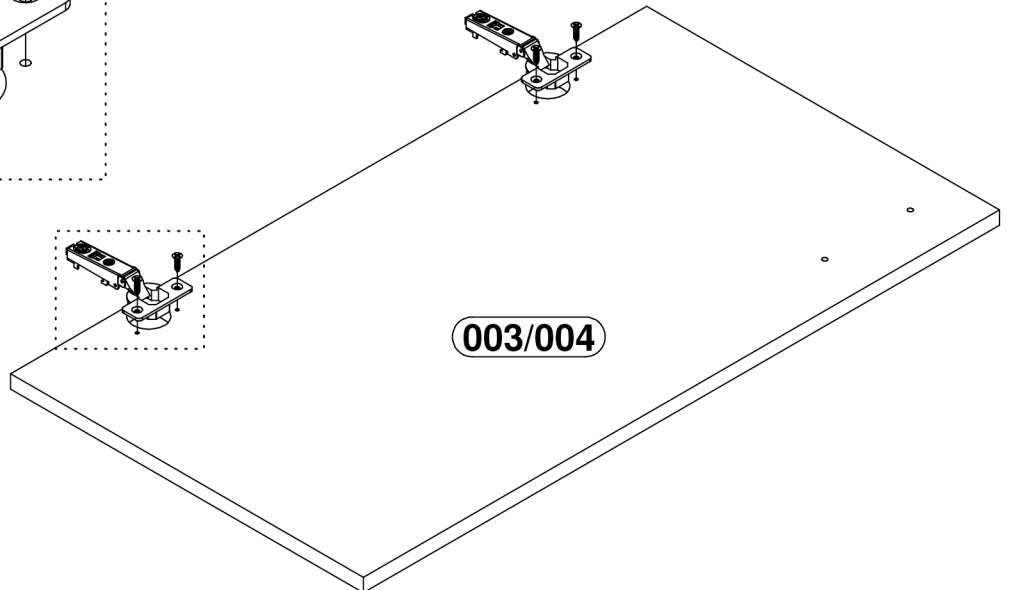
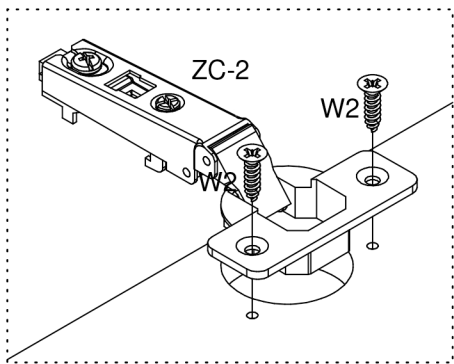
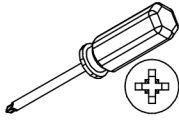
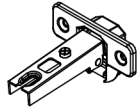
**A=B ≡ 90°**

6

W2 x 4

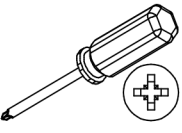


Zc2 x 2

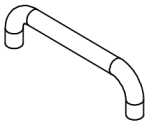




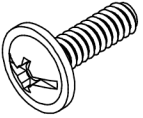
# 7



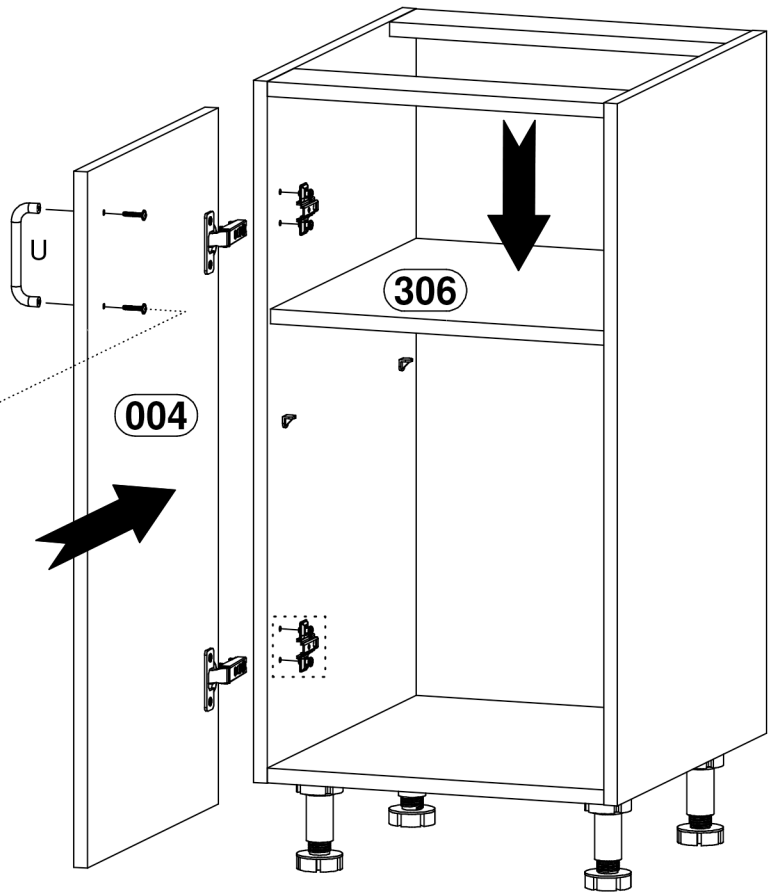
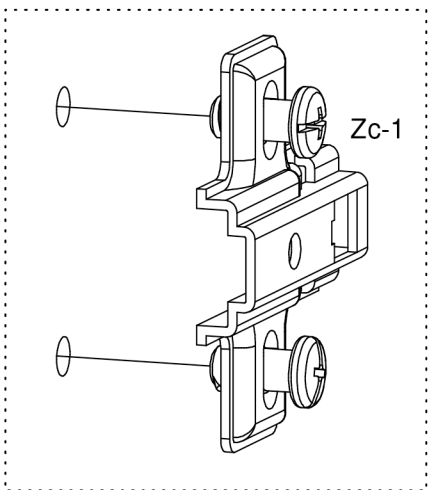
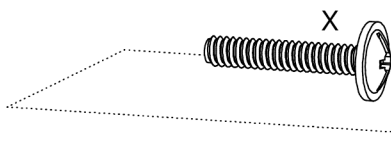
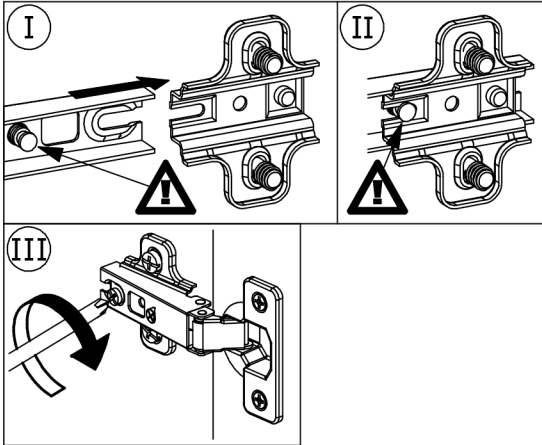
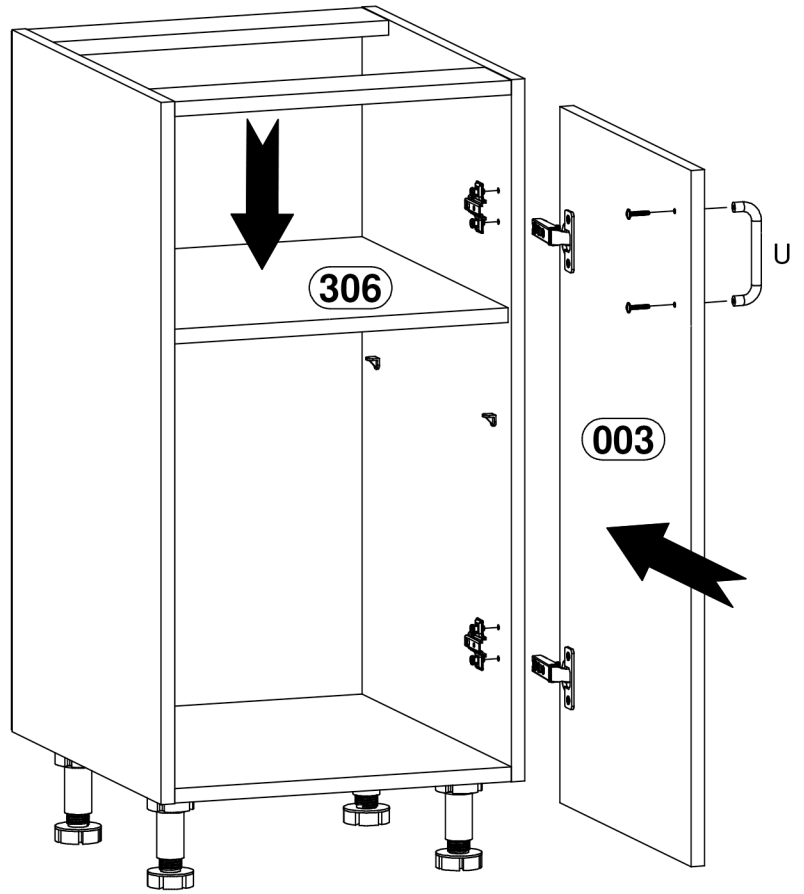
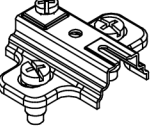
U x 1



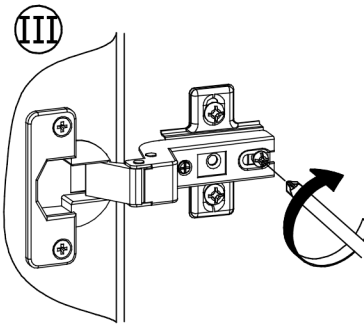
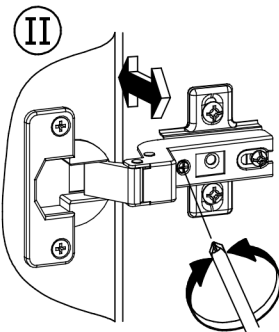
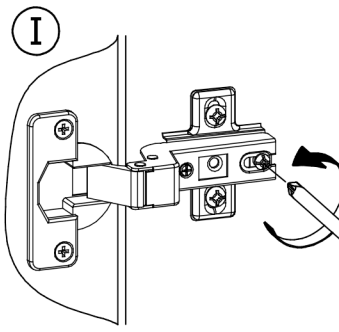
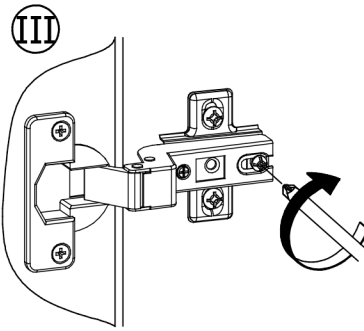
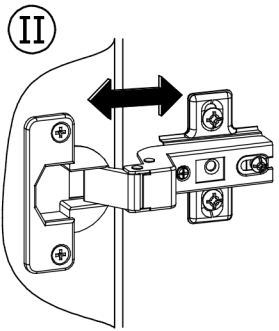
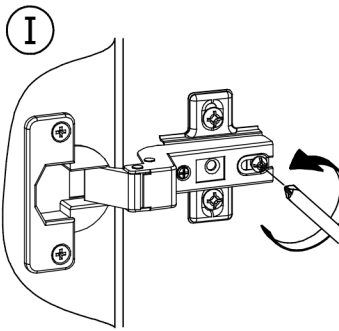
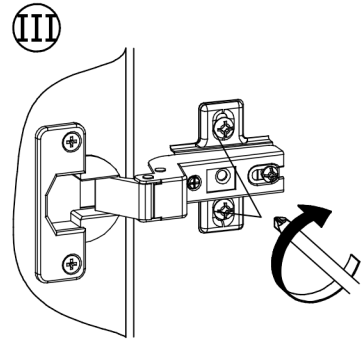
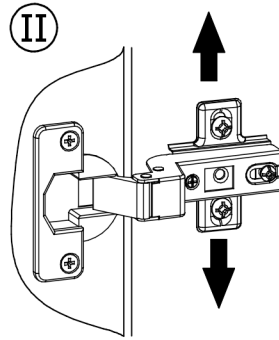
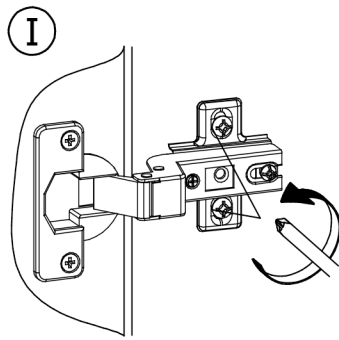
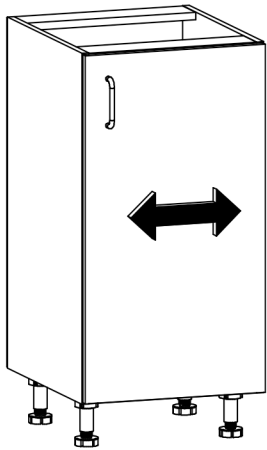
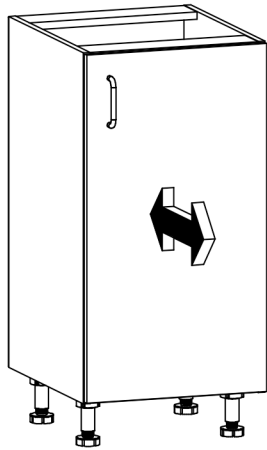
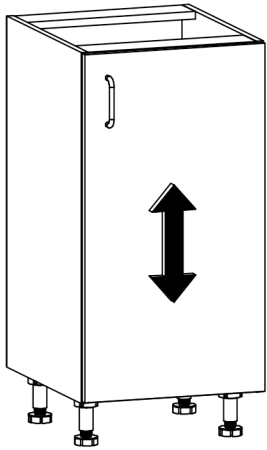
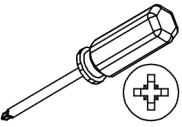
X x 2

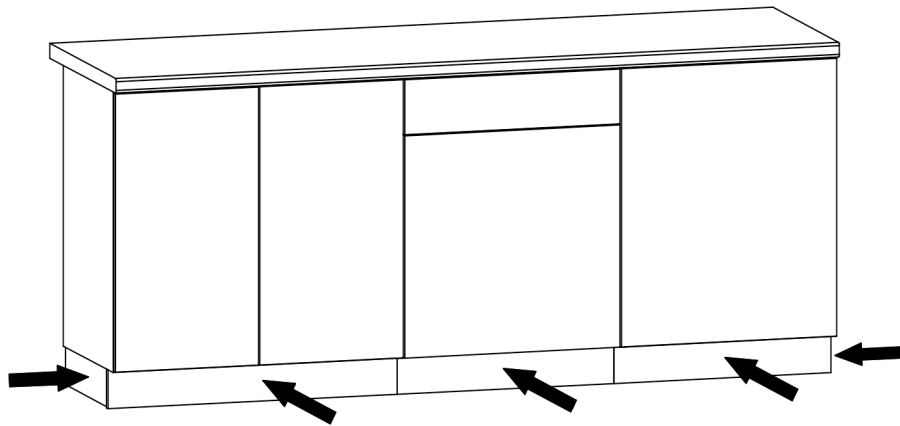
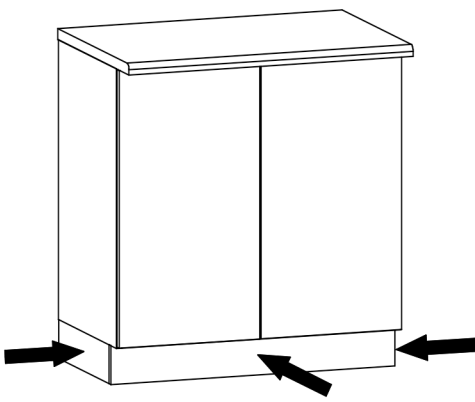
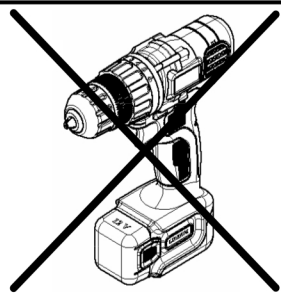
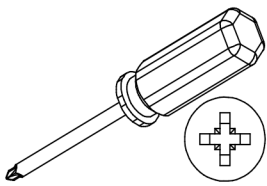


Zc1 x 2

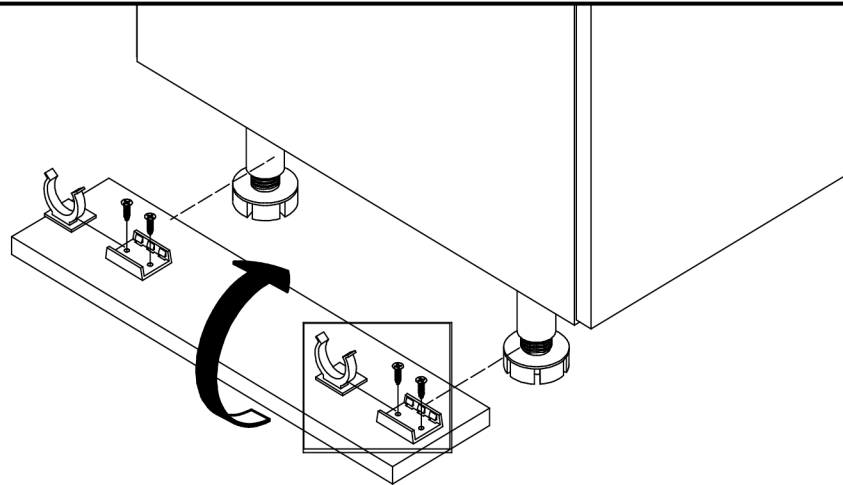
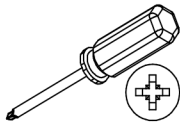


# 8

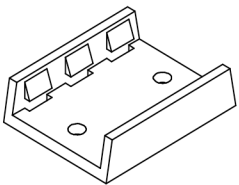




**C1**

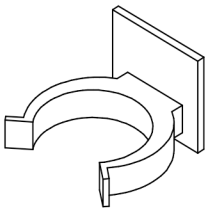


**L6-a**x4



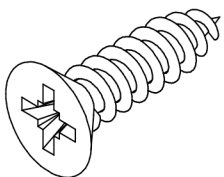
38x30x10mm

**L6-b**x4

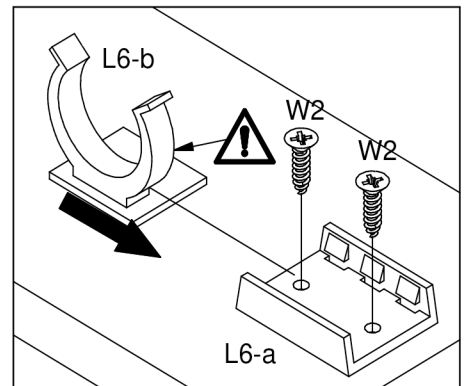


35x32x25mm

**W2**x8

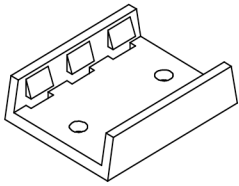


Ø3,5x16mm



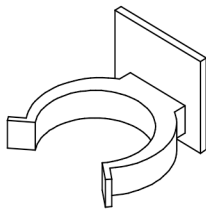
**C2**

**L6-a x 2**



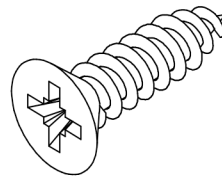
38x30x10mm

**L6-b x 2**



35x32x25mm

**W2 x 4**



Ø3,5x16mm

