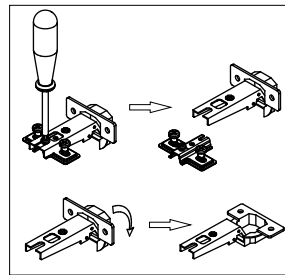
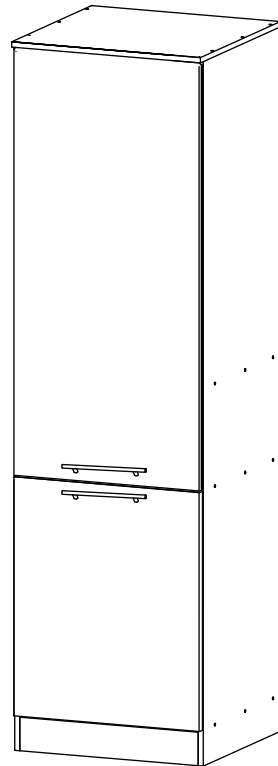
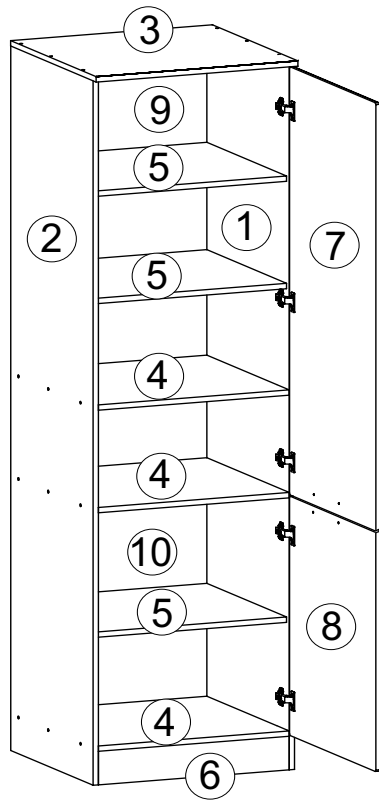
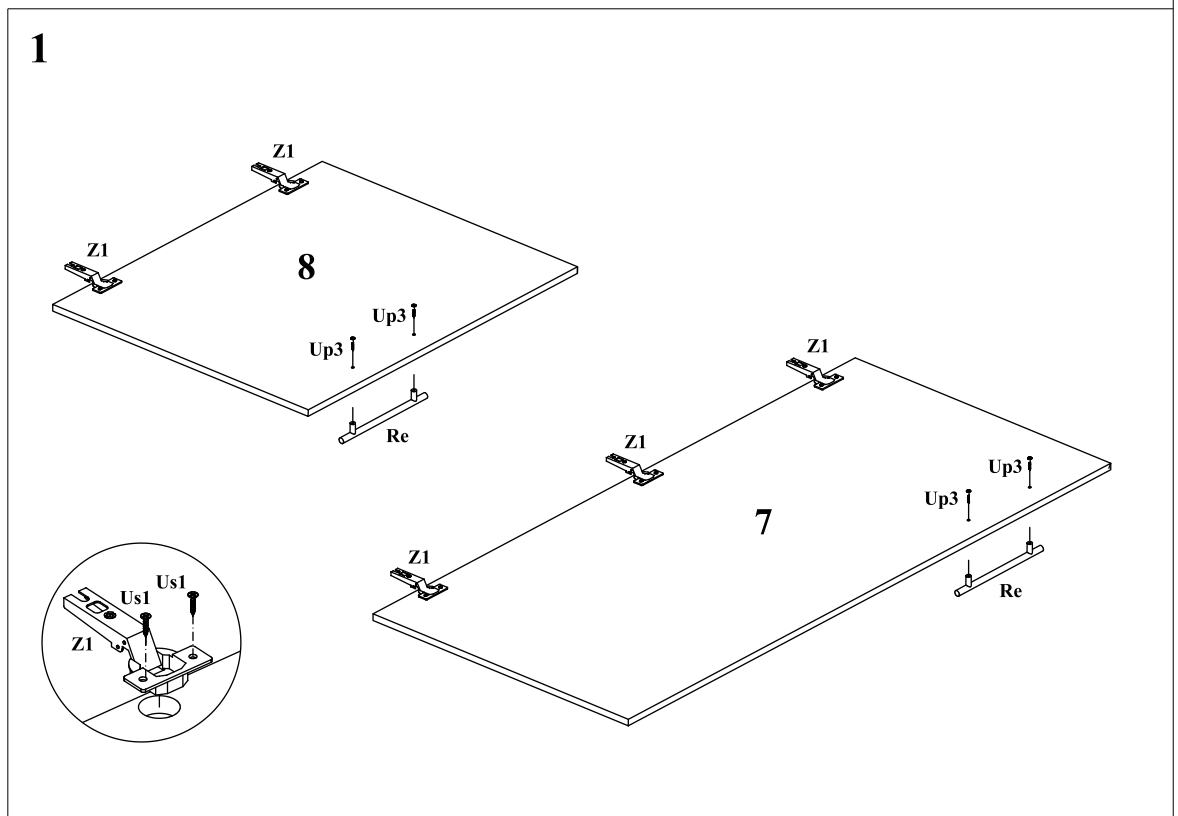


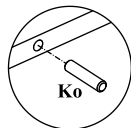
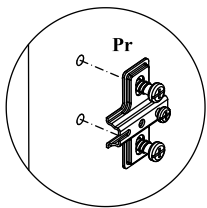
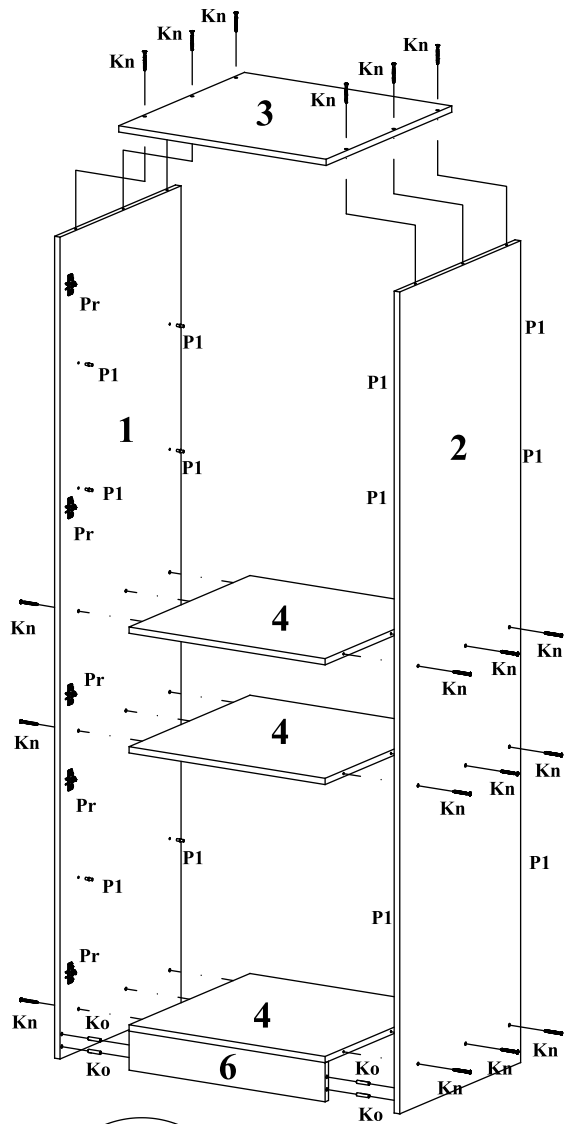
S60/210



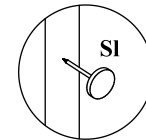
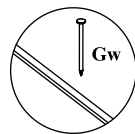
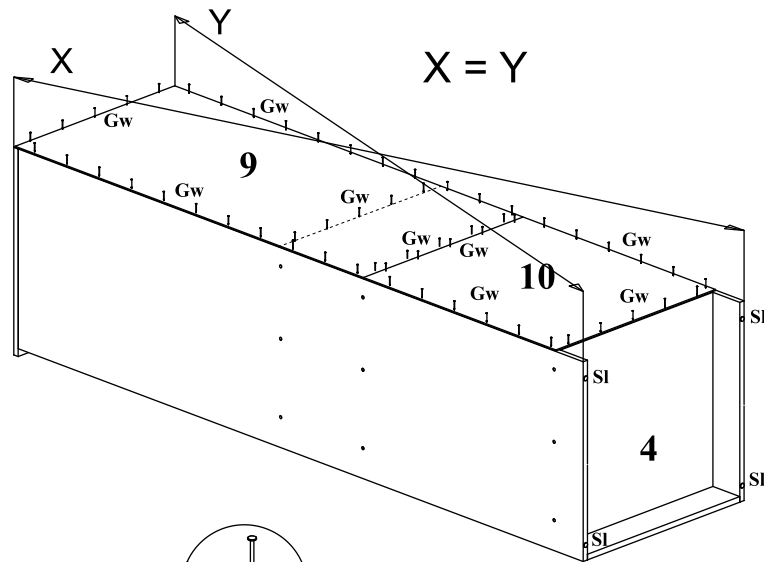
Pr X5	Z1 X5	P1 X12	Sl X4
Kl X1	Up3 X4 Up3,5x25	Us1 X10 Us3,5x16	Re X2
Kn X24	Za2 X24	Ko X4	Gw X59



2



3



4

