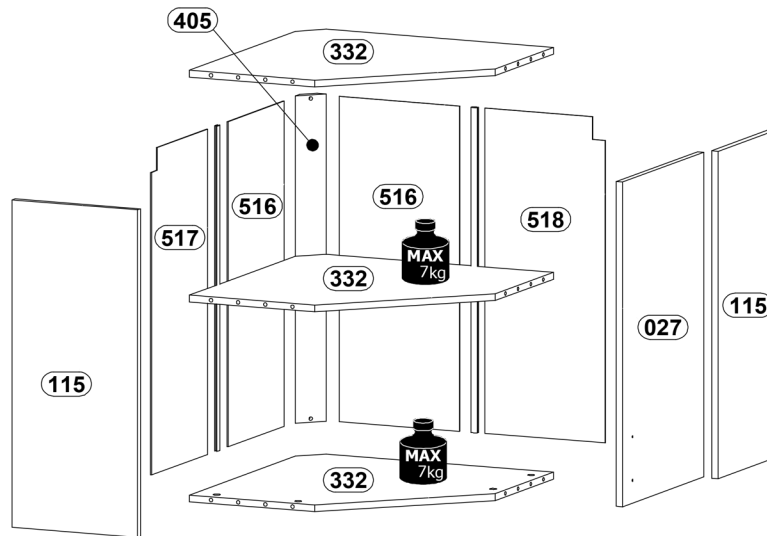
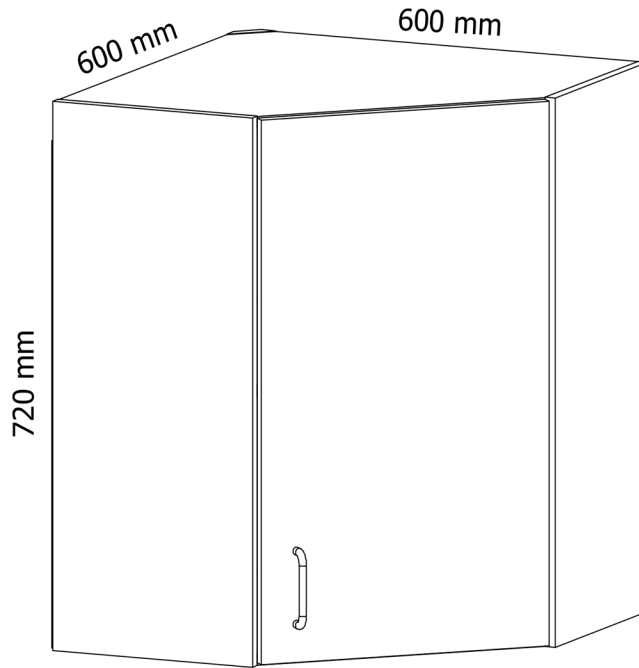
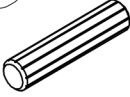



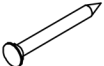
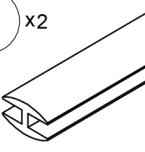


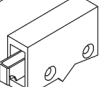
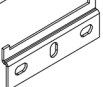



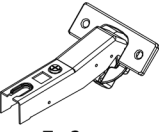


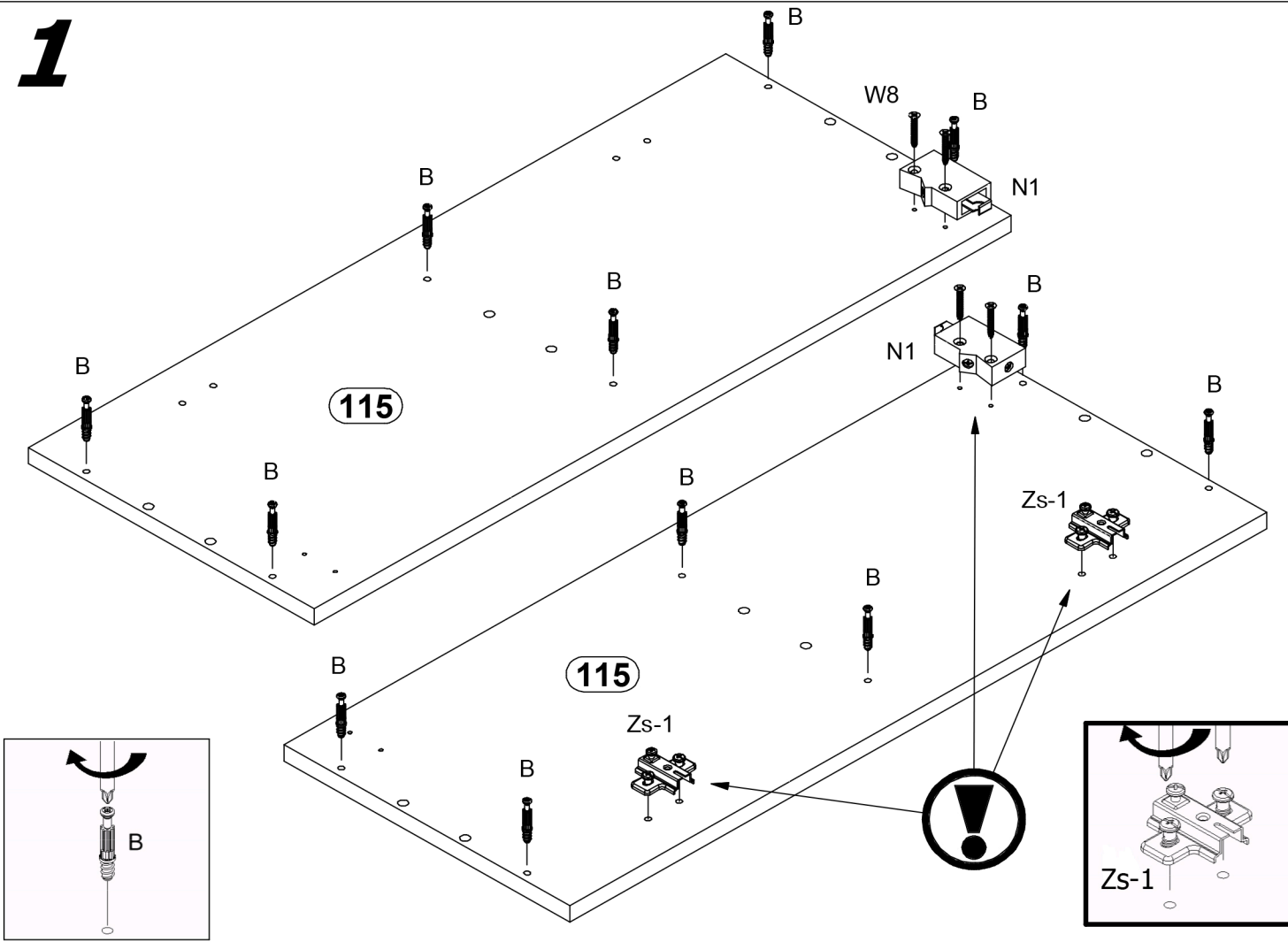
# G60N

# W60X60/72NAR

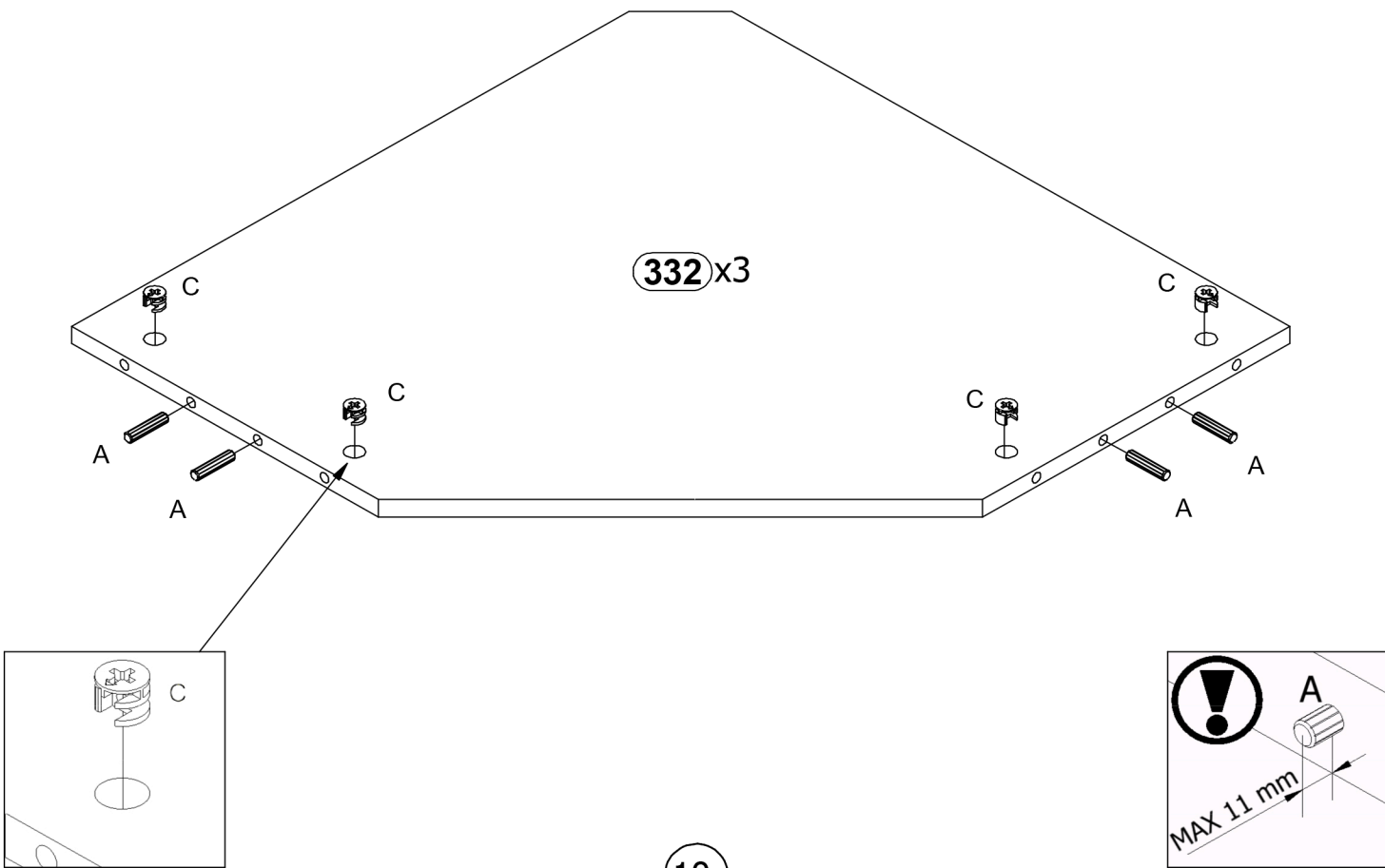


<b>A</b> x12  Ø8x35mm	<b>B</b> x12  Ø15x12mm	<b>C</b> x12  Ø15x12mm	<b>D</b> x3  Ø8x50 mm
<b>G</b> x60  715 mm	<b>H</b> x2  715 mm	<b>KL</b> x1 	<b>M</b> x1 
<b>N1</b> x2 	<b>N2</b> x2 	<b>W2</b> x4  Ø3,5x16	<b>W8</b> x4  Ø4x30mm
<b>Zs</b> x2  Zs-1	 Zs-2		

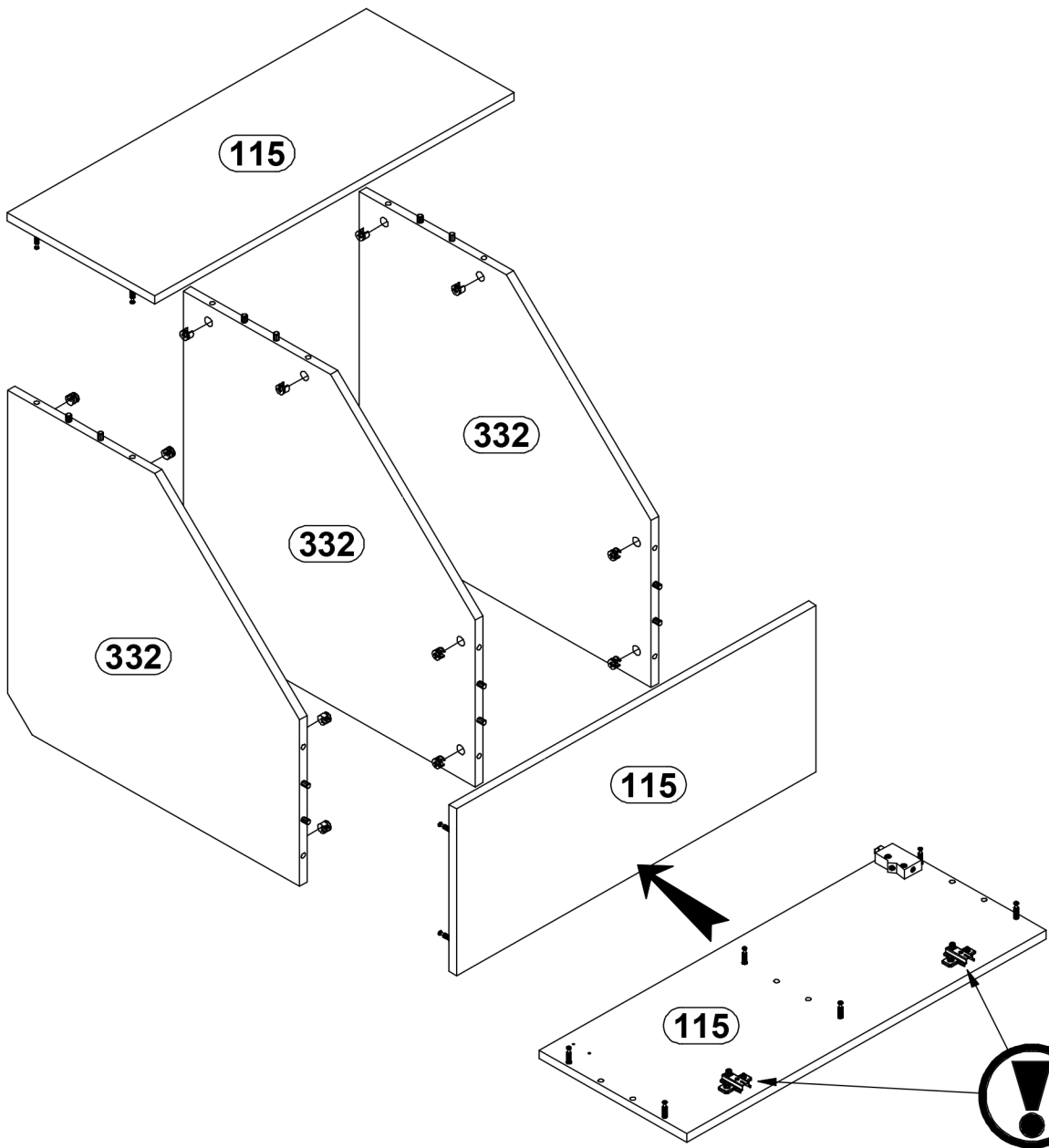
# 1



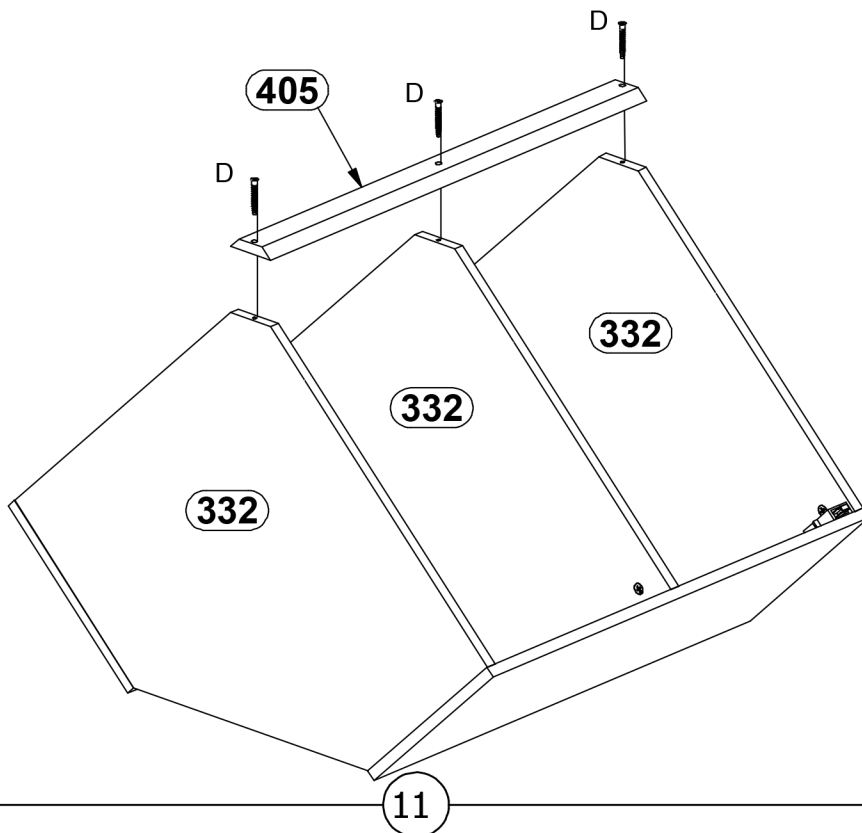
# 2



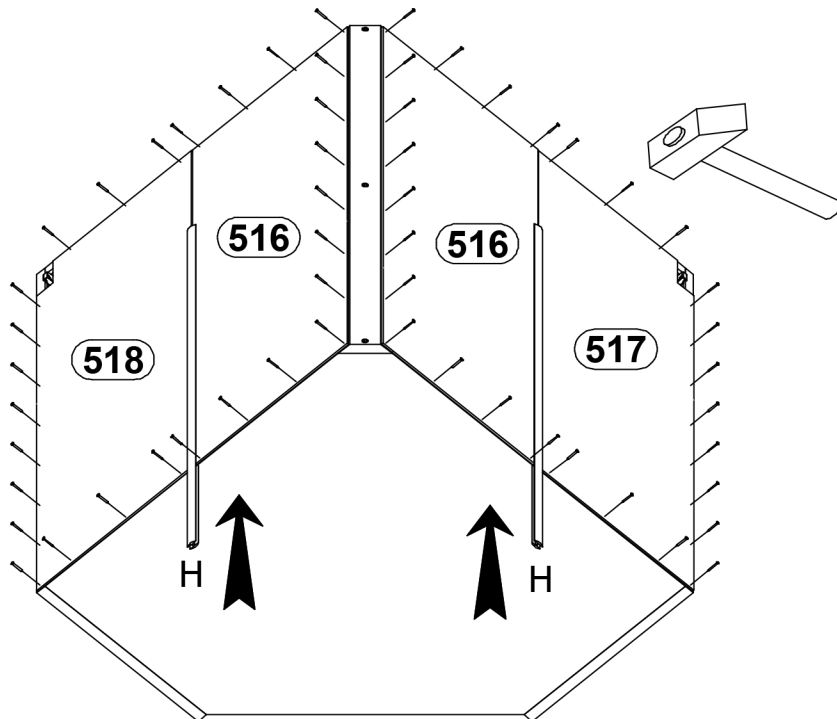
**3**



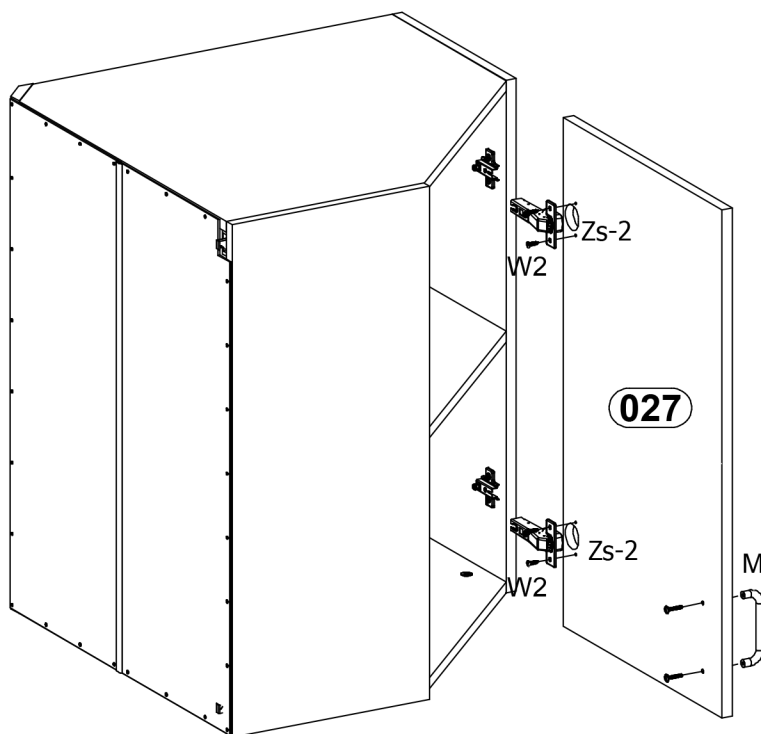
**4**



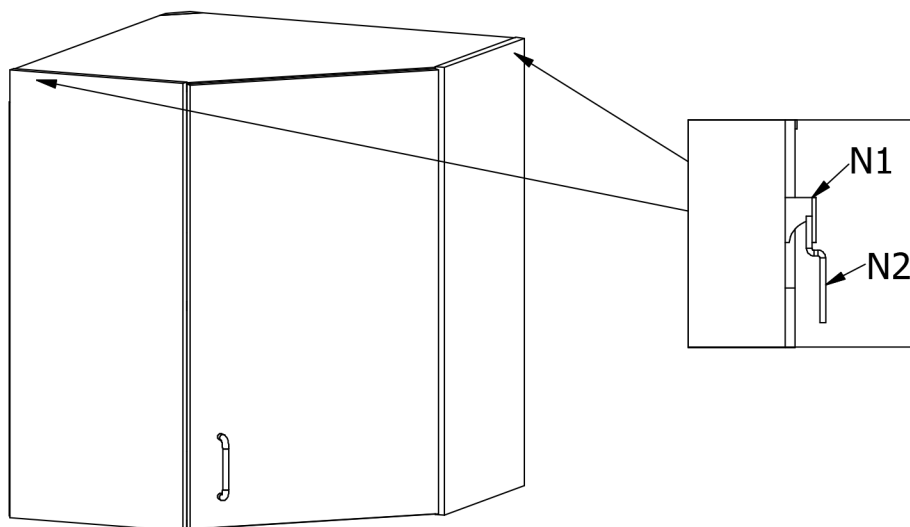
# 5



# 6

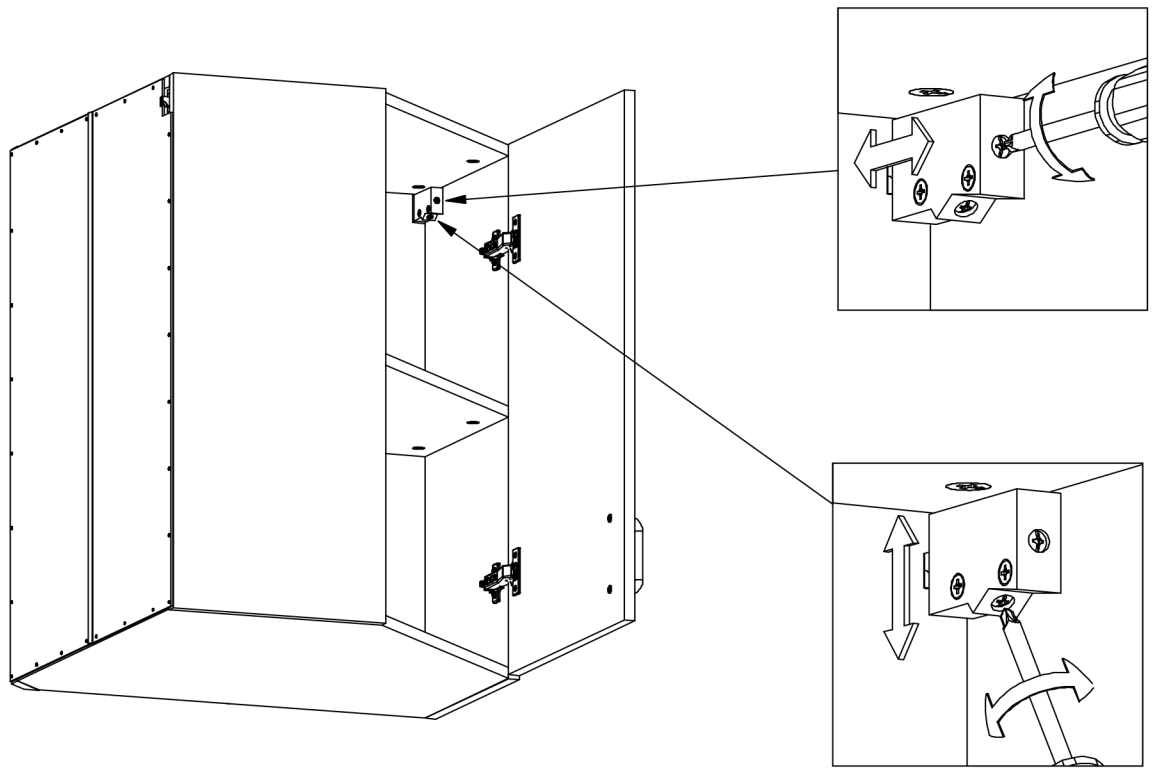


# 7





# 8



# 9

