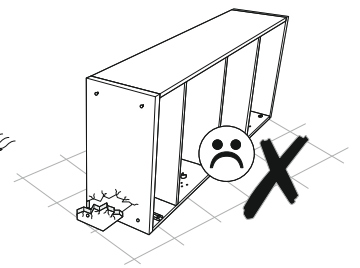
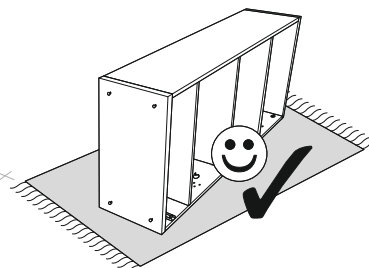
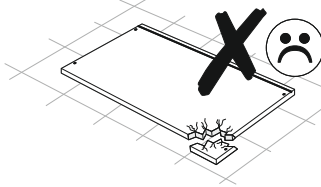
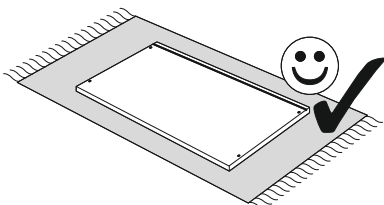
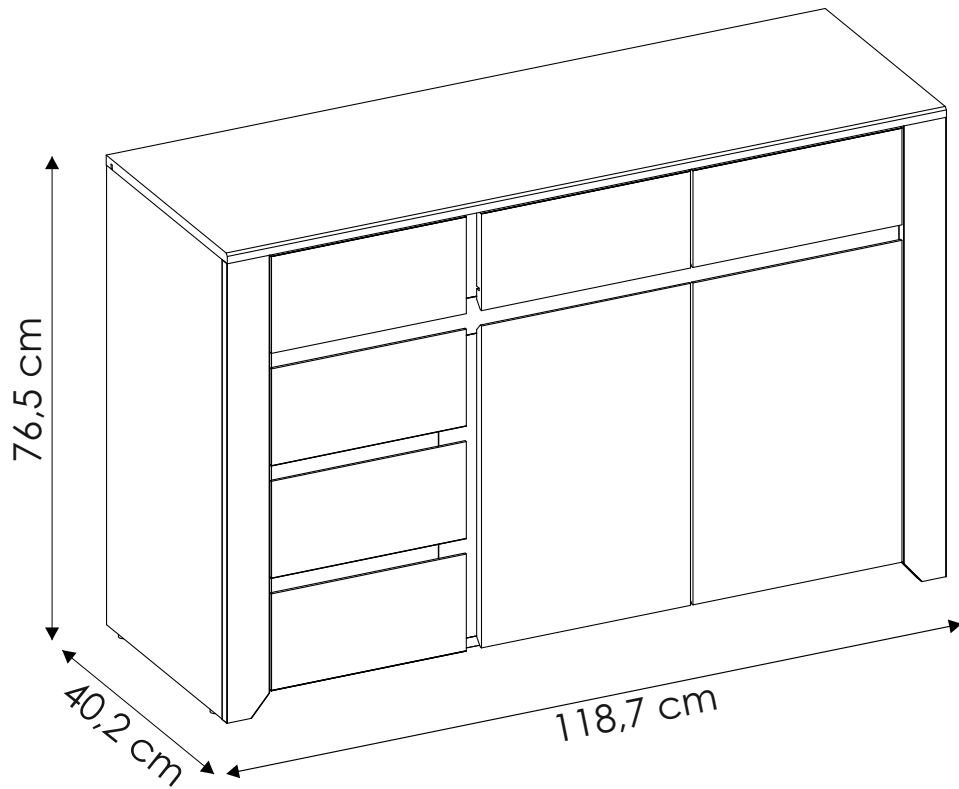
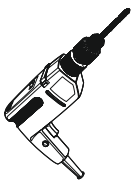
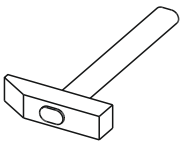
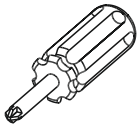
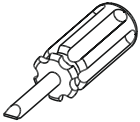
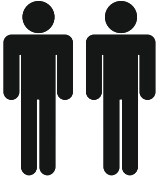
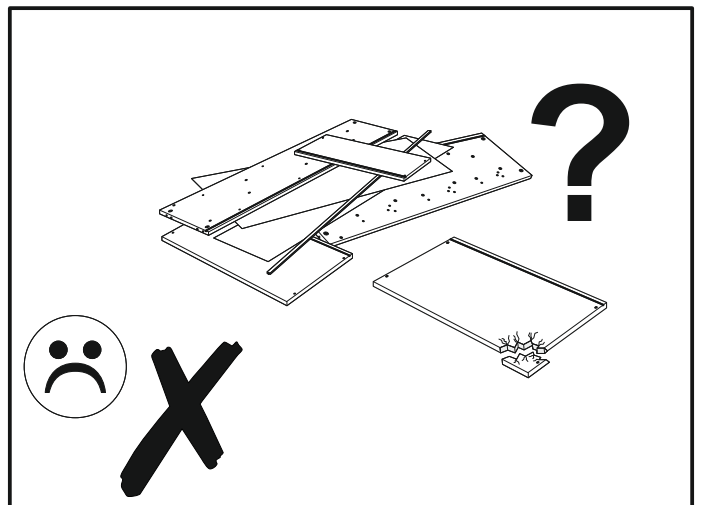
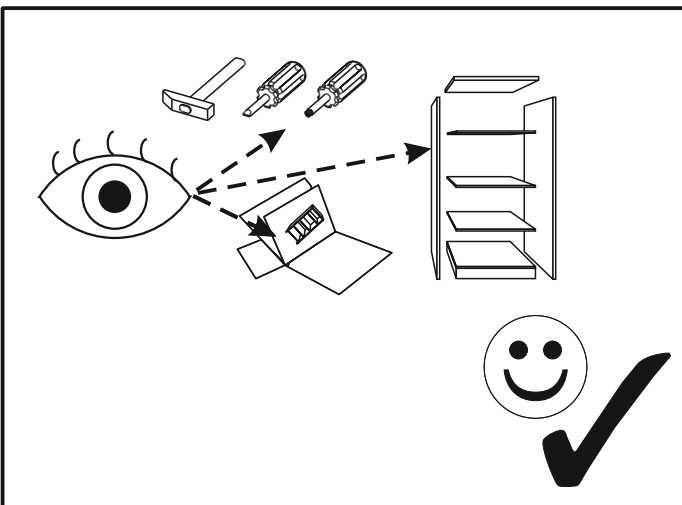
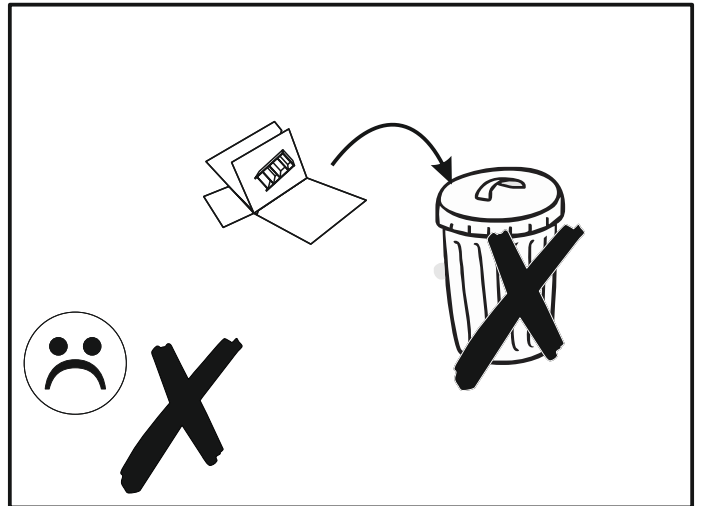
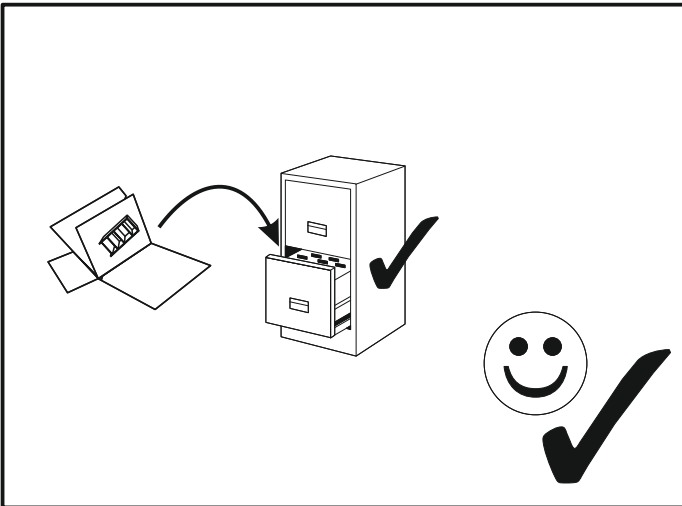
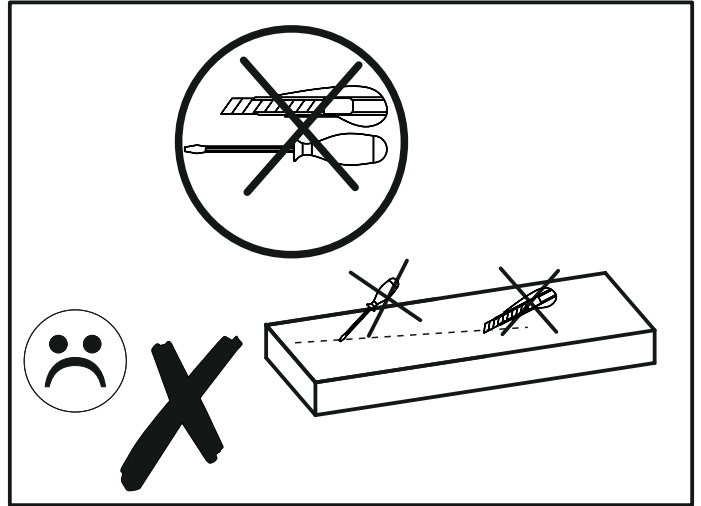
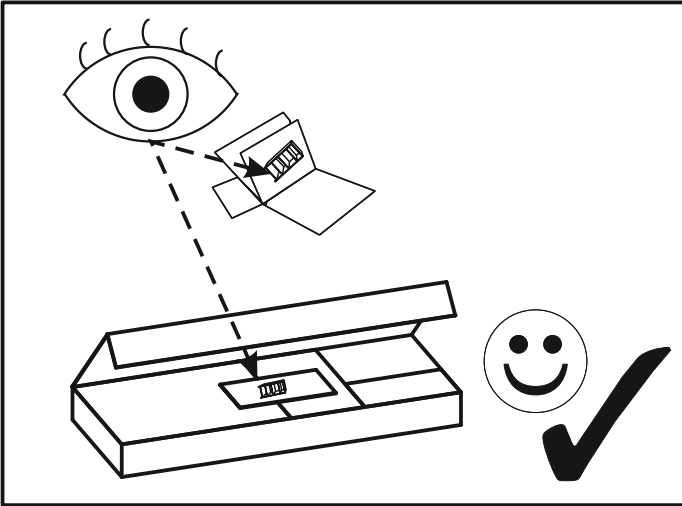
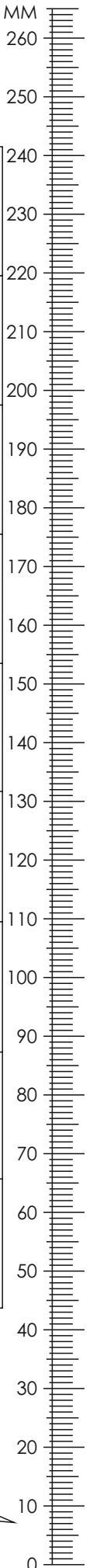



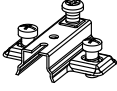
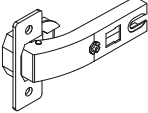

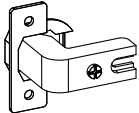


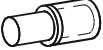
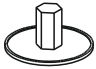


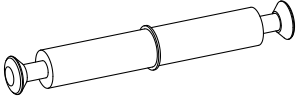

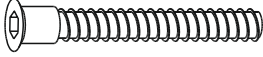


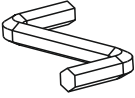


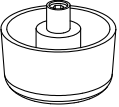
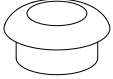


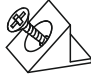

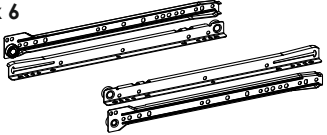
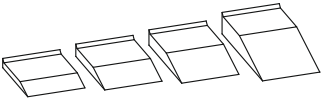
ANGEL 42

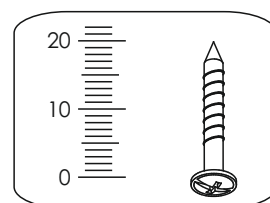




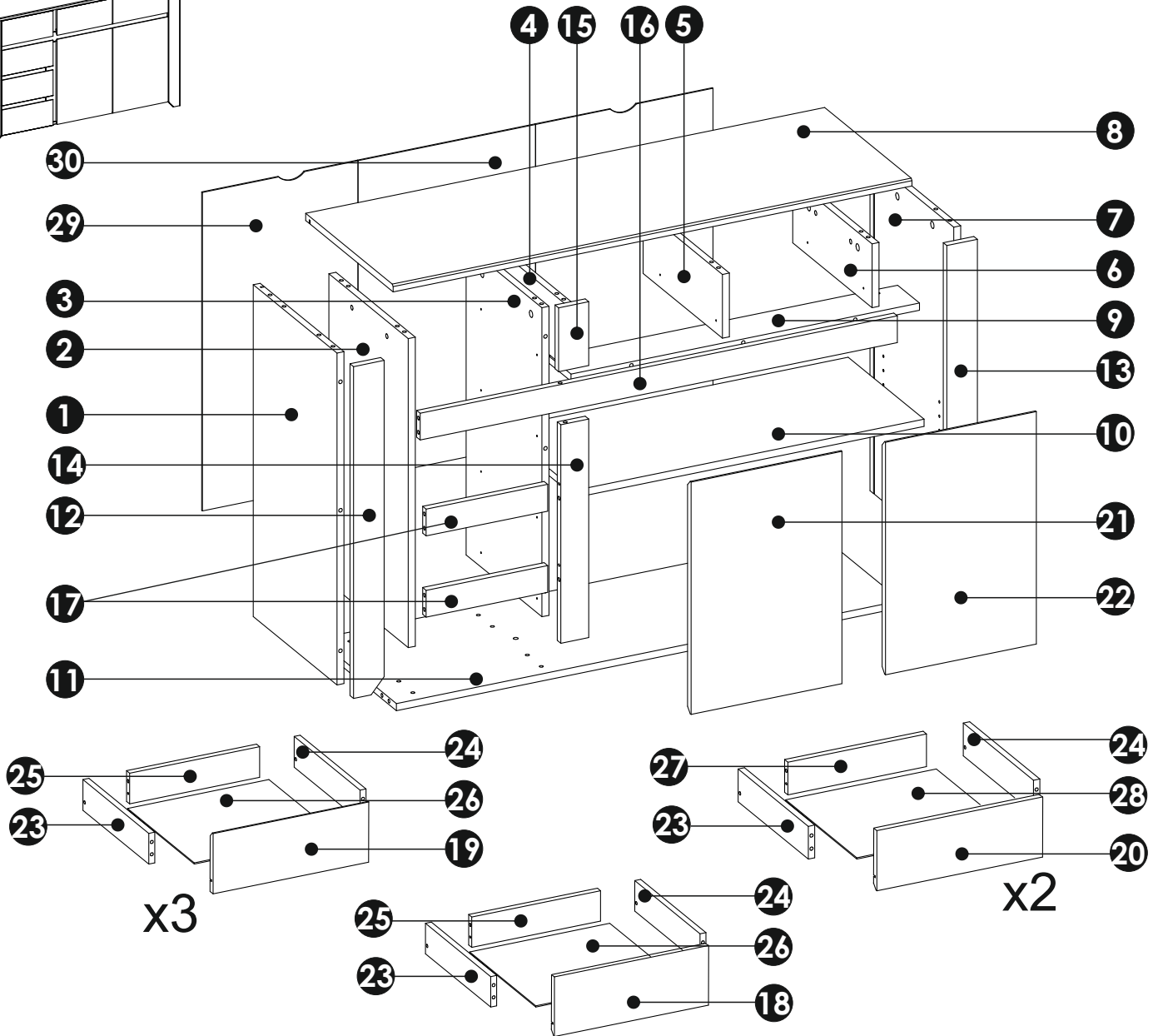
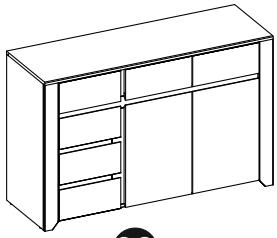
ANGEL 42



<p>A1 x 52 \varnothing8 x 35 mm</p> 	<p>BR2 x 2</p> 	<p>BR3 x 2</p> 
<p>BR4 x 2</p> 	<p>BR6 x 2</p> 	<p>C1 x 8 4 x 13 mm</p> 
<p>C2 x 24 5 x 13 mm</p> 	<p>D2 x 4</p> 	<p>E0 x 52</p> 
<p>E1 x 52 \varnothing15 x 12 mm</p> 	<p>F1 x 48</p> 	<p>F8 x 2 7 x 58 mm</p> 
<p>G0 x 19</p> 	<p>G1 x 19 \varnothing7 x 50 mm</p> 	<p>I2 x 2 4 x 16 mm</p> 
<p>J1 x 36 3 x 20mm</p> 	<p>M x 1</p> 	<p>N1 x 40 3 x 16 mm</p> 
<p>O2 x 4</p> 	<p>O29 x 2</p> 	<p>P21 x 2</p> 
<p>Q9 x 2</p> 	<p>R1 x 4</p> 	<p>R4 x 14</p> 
<p>R10 x 16</p> 	<p>T3 x 6</p> 	<p>Z x 1</p> 



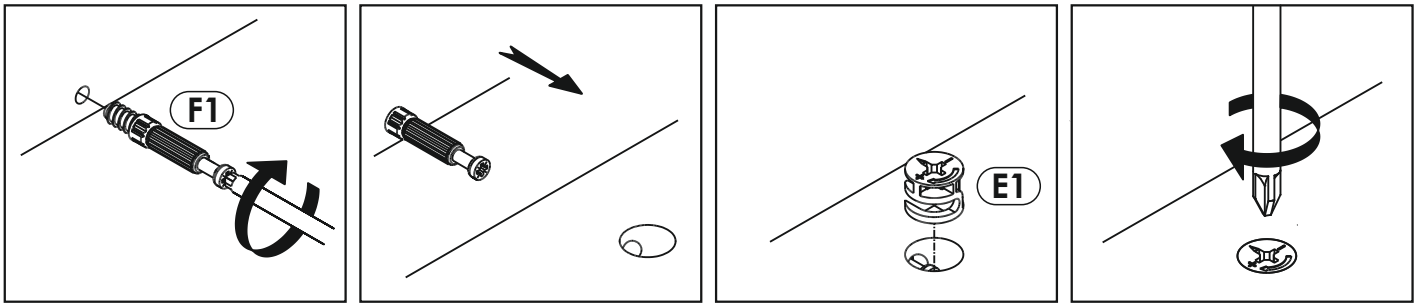
ANGEL 42



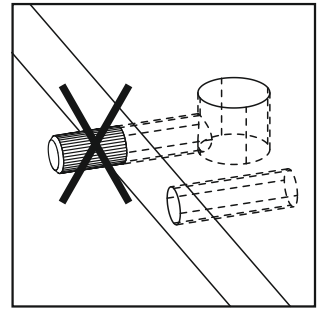
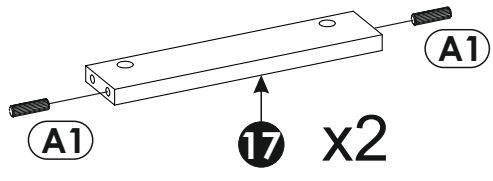
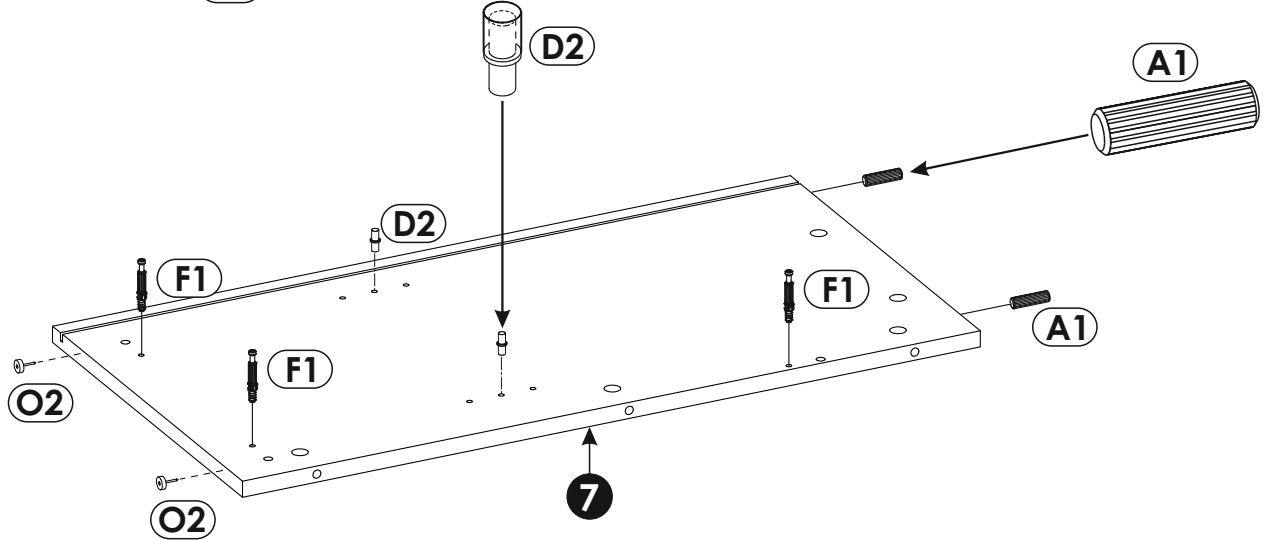
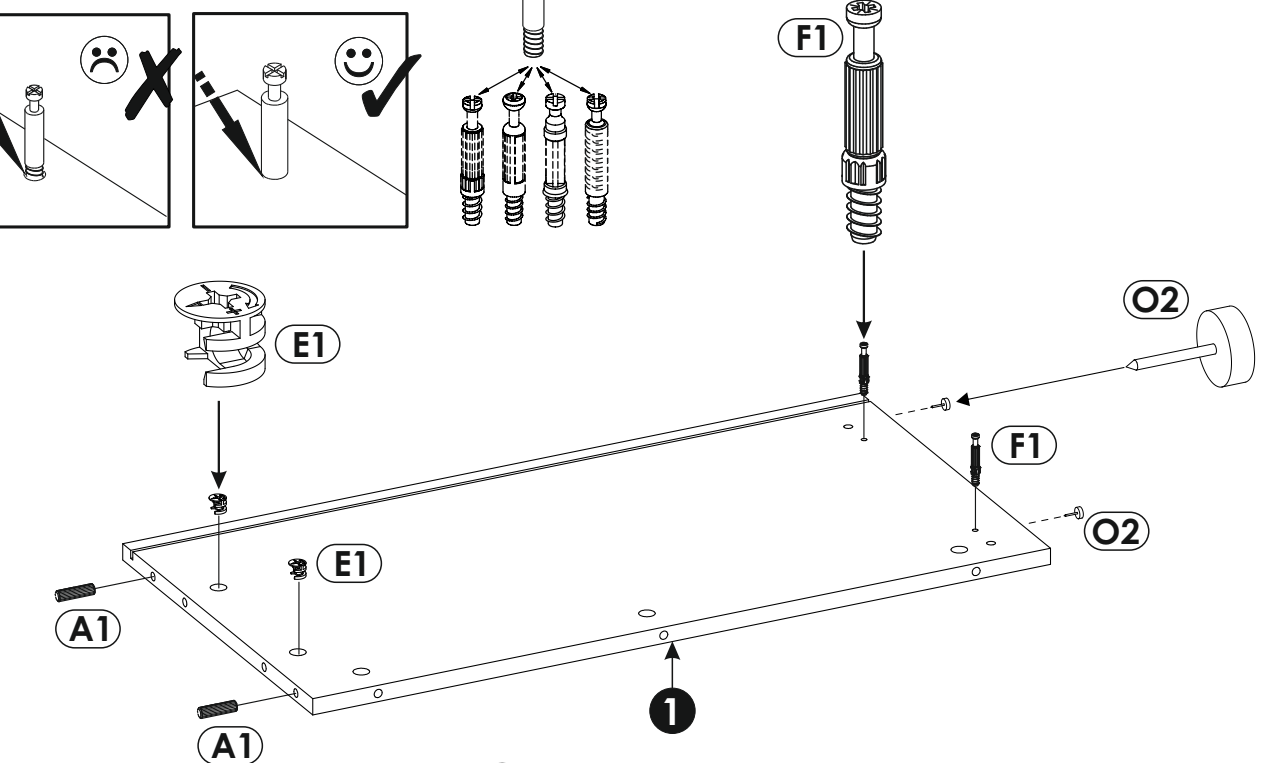
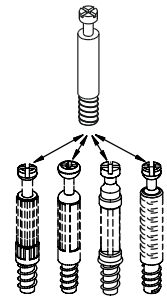
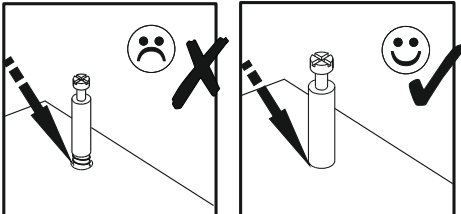
1	744	383	16	x1	1/2
2	693	363	16	x1	2/2
3	693	347	16	x1	1/2
4	347	143	16	x1	2/2
5	363	143	16	x1	2/2
6	363	143	16	x1	2/2
7	744	383	16	x1	1/2
8	1187	400	16	x1	2/2
9	797	100	16	x1	1/2
10	797	347	16	x1	1/2

11	1154	363	16	x1	2/2
12	744	70	16	x1	1/2
13	744	70	16	x1	1/2
14	490	64	16	x1	1/2
15	143	69	16	x1	2/2
16	1091	60	16	x1	2/2
17	278	60	16	x2	2/2
18	322	157	16	x1	1/2
19	322	157	16	x3	1/2
20	345	157	16	x2	1/2

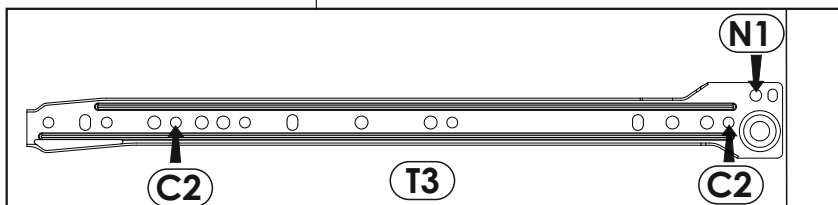
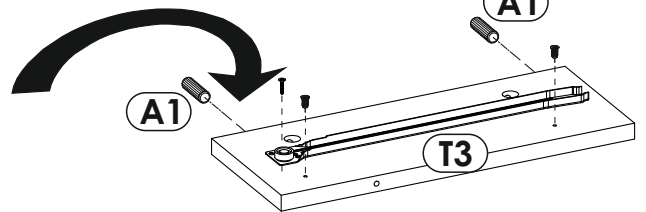
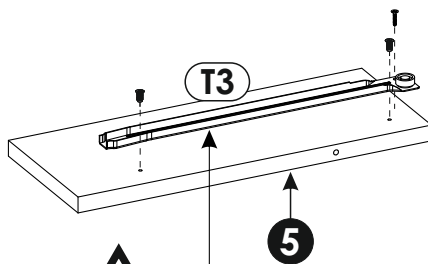
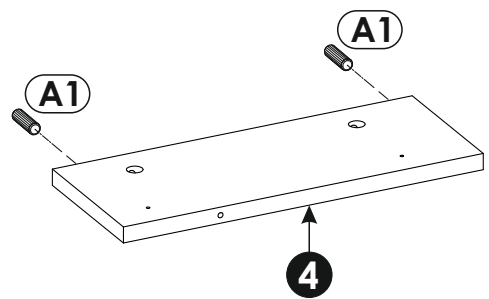
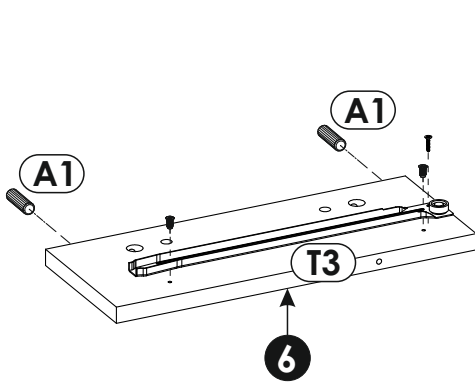
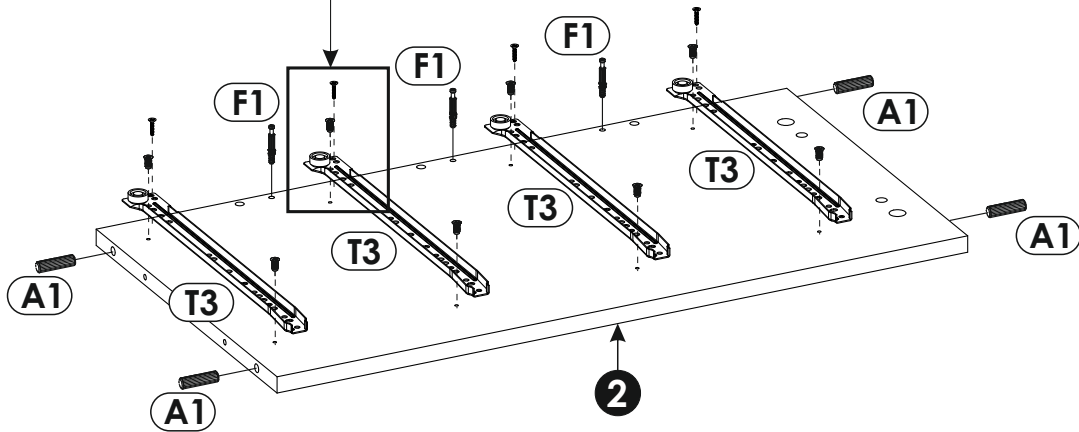
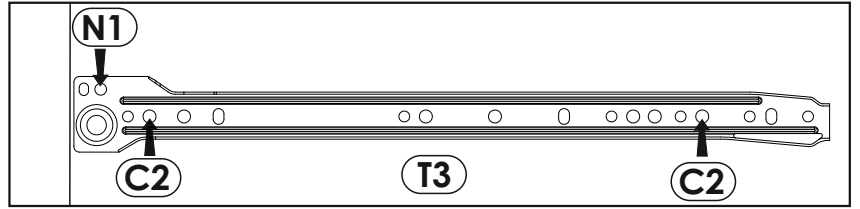
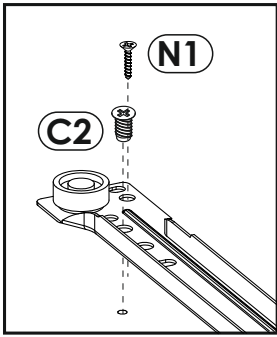
21	521	345	16	x1	1/2
22	521	345	16	x1	1/2
23	350	80	16	x6	2/2
24	350	80	16	x6	2/2
25	222	80	16	x4	1/2
26	355	252	3	x4	2/2
27	277	80	16	x2	1/2
28	355	307	3	x2	2/2
29	714	356	3	x1	2/2
30	714	812	3	x1	2/2



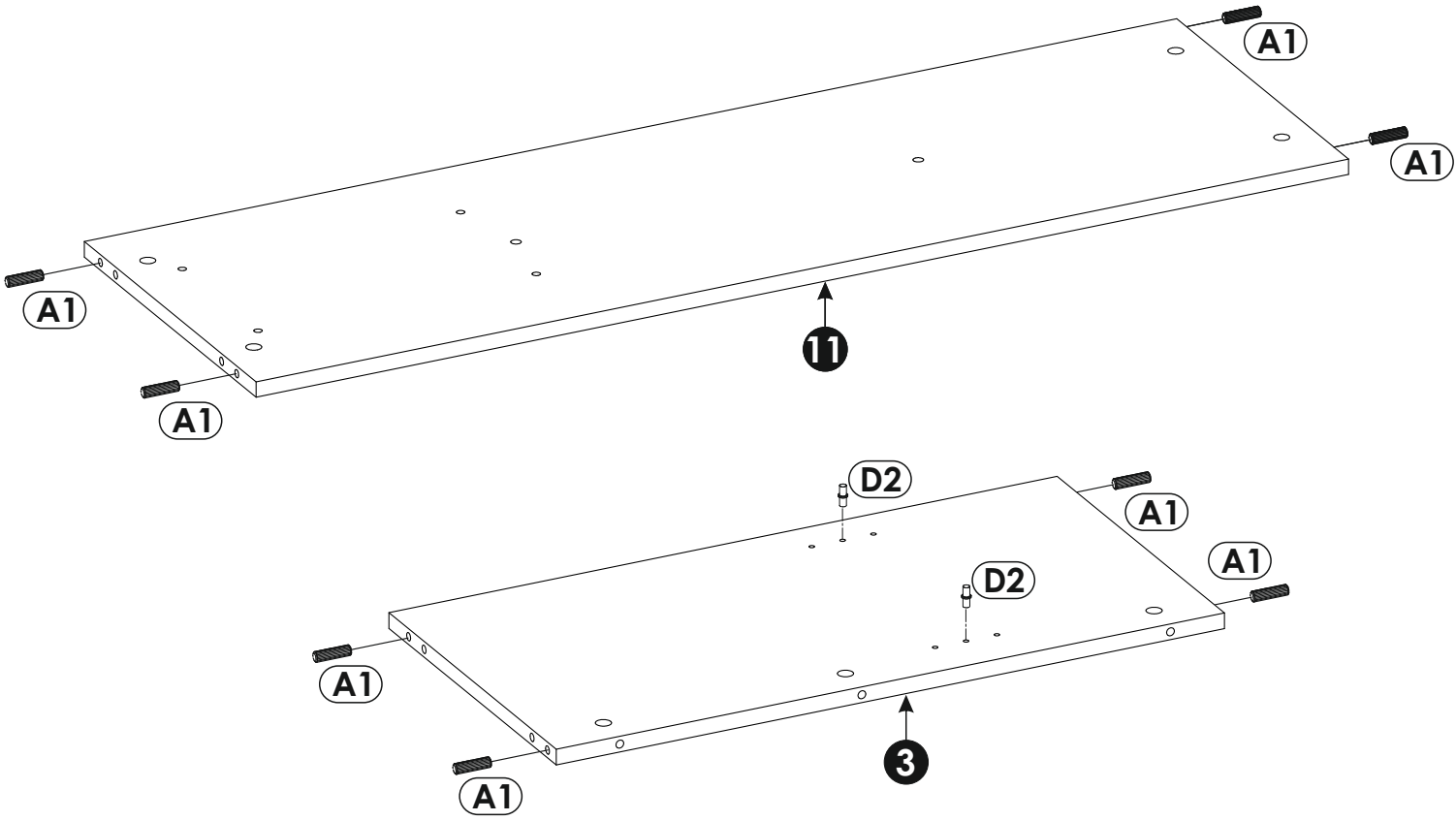
1 ▶



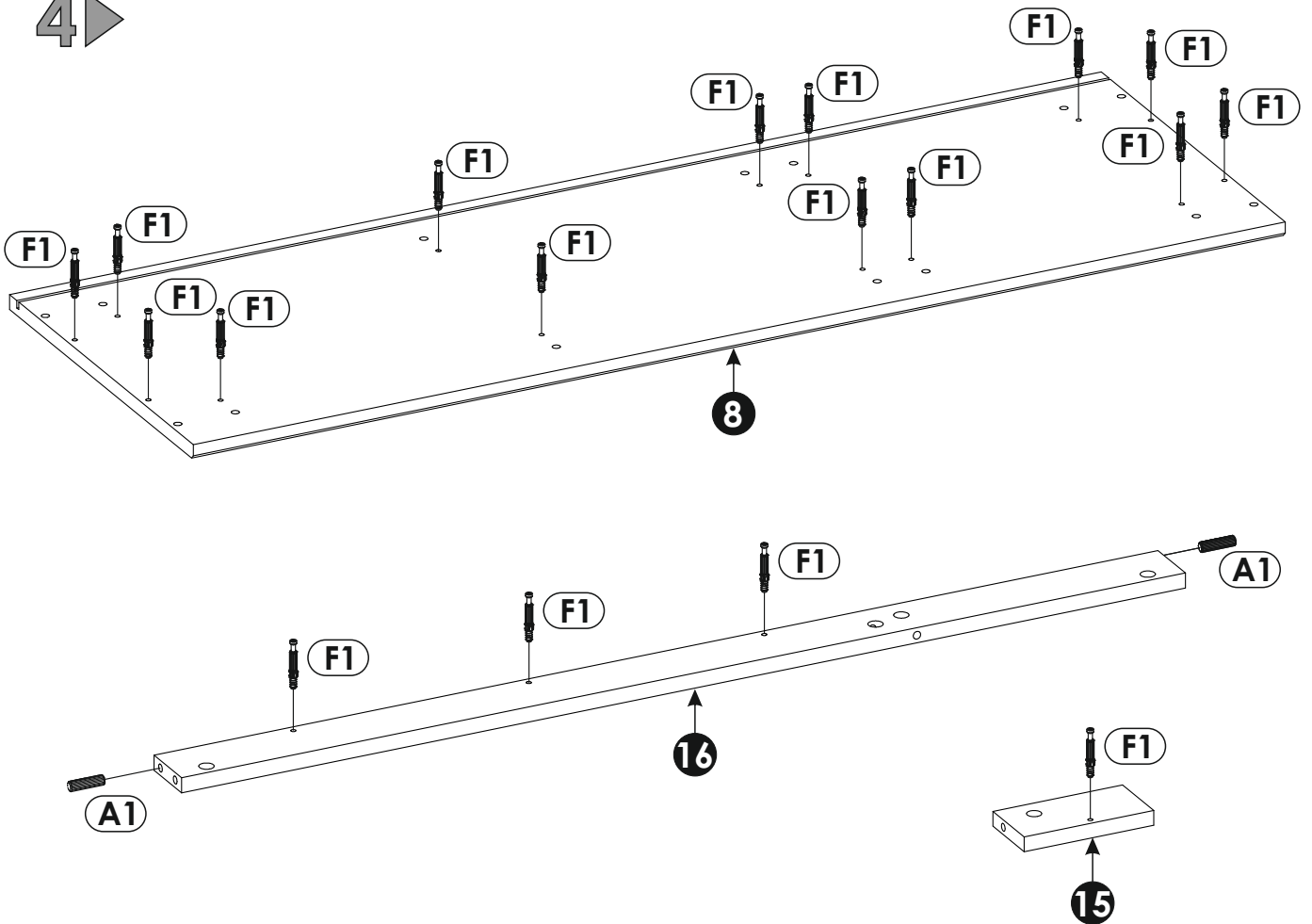
2 ▶



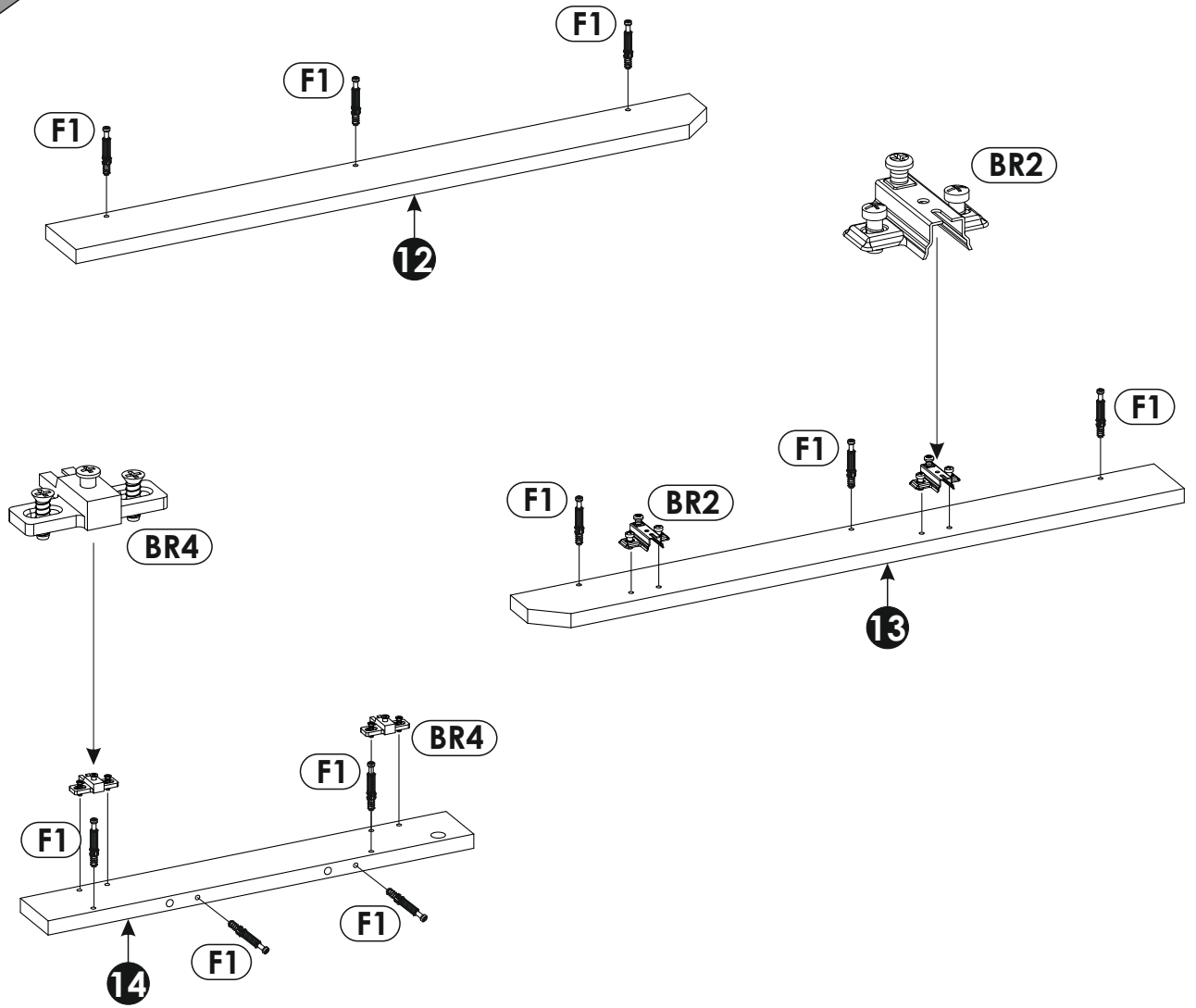
3 ▶



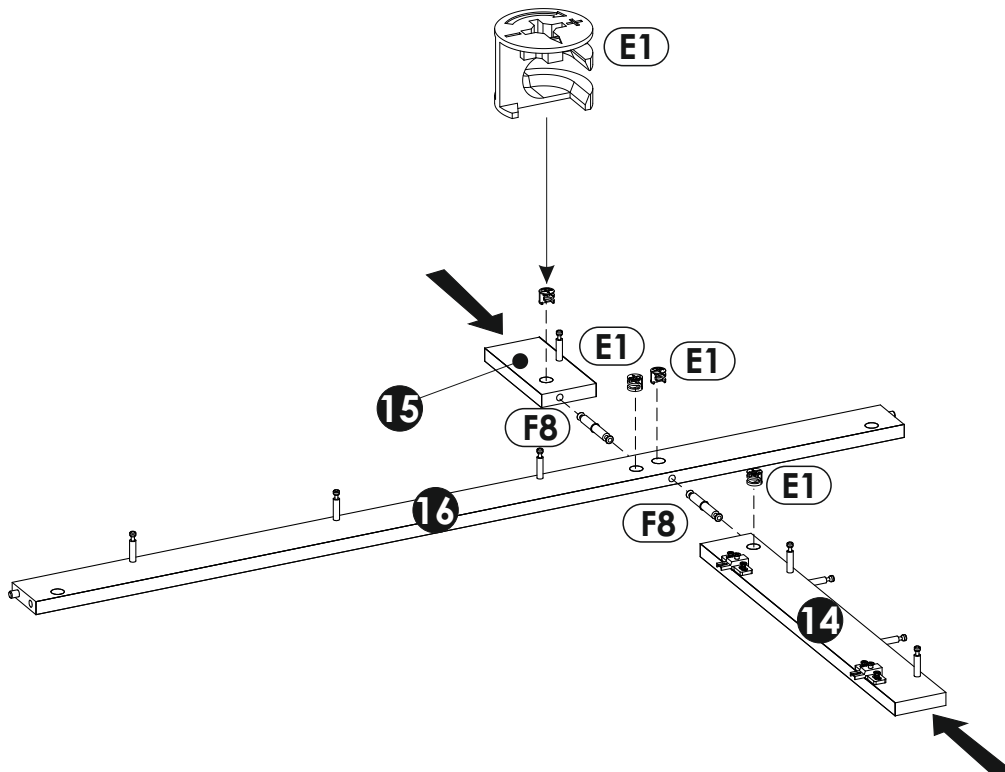
4 ▶



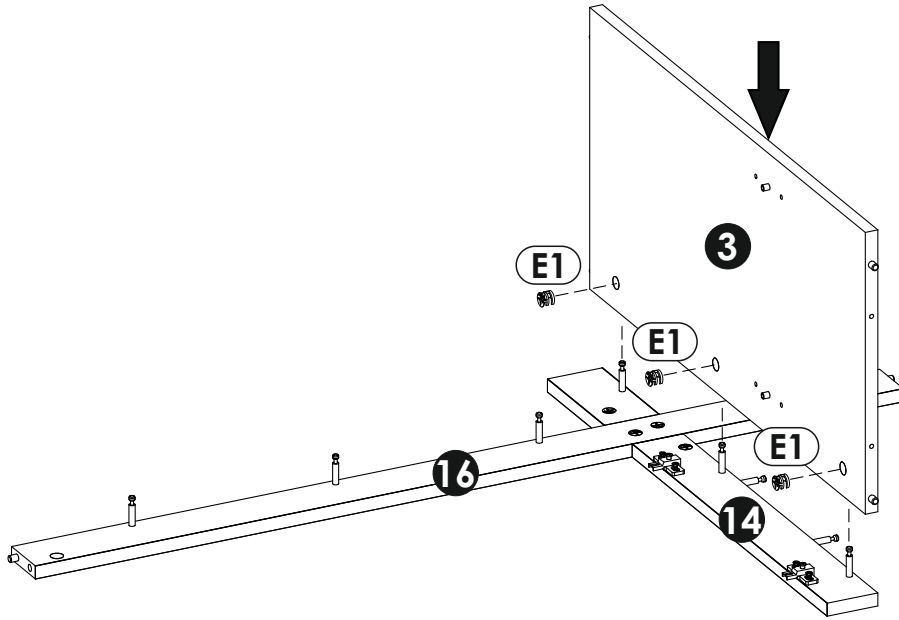
5 ▶



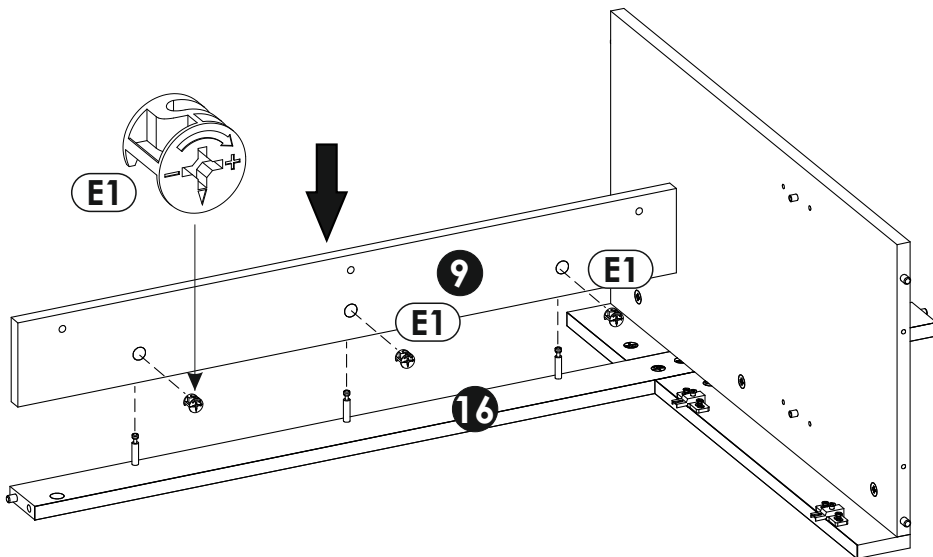
6 ▶



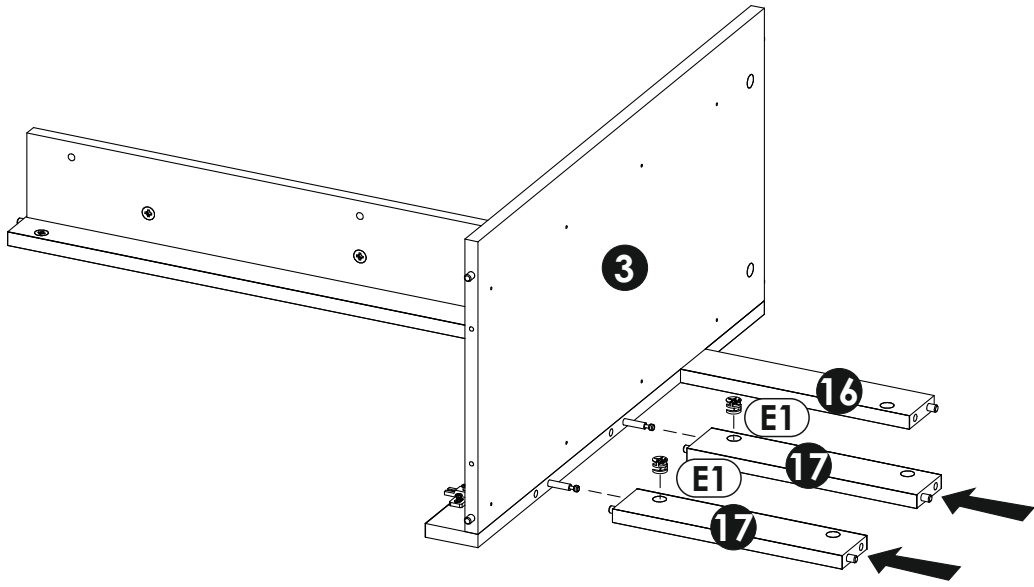
7 ▶



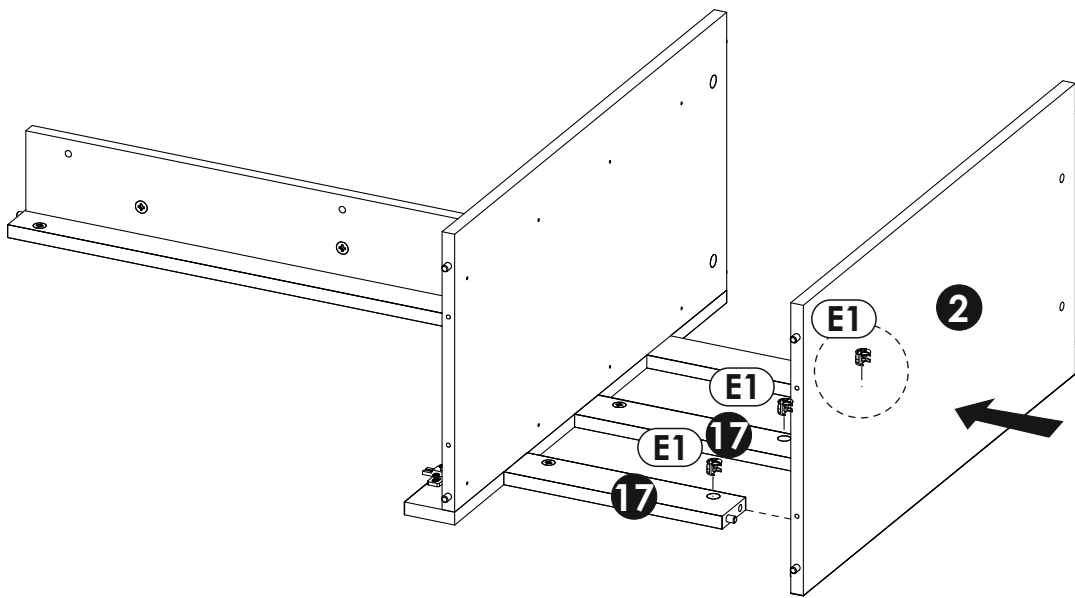
8 ▶



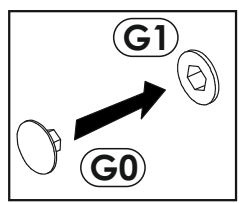
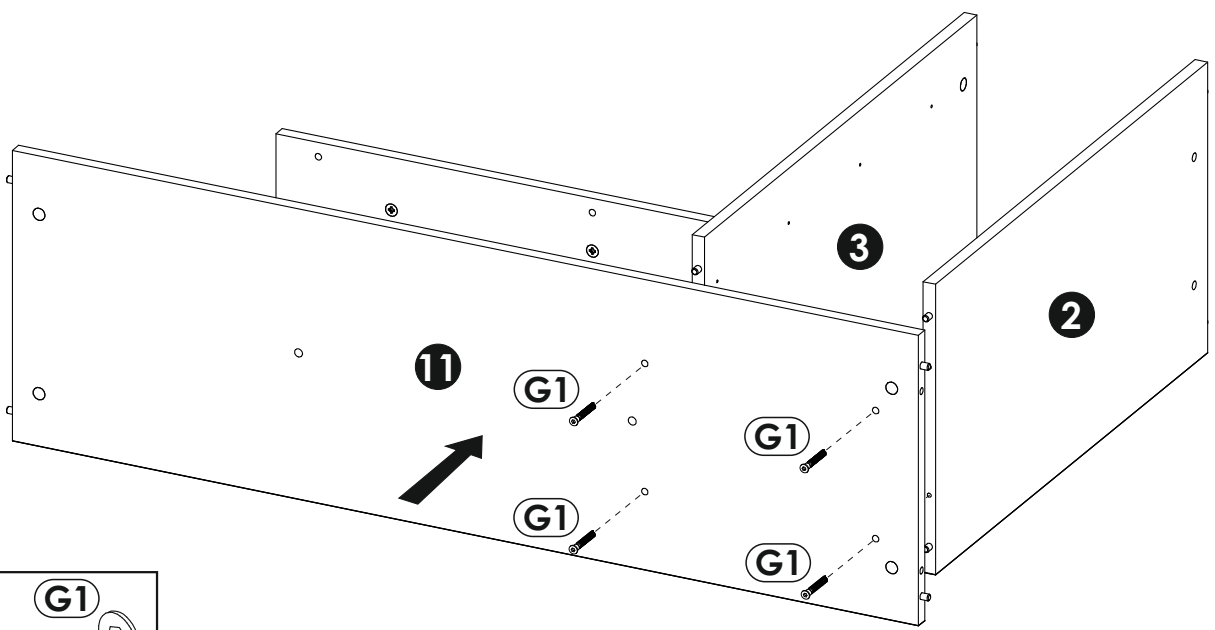
9 ▶



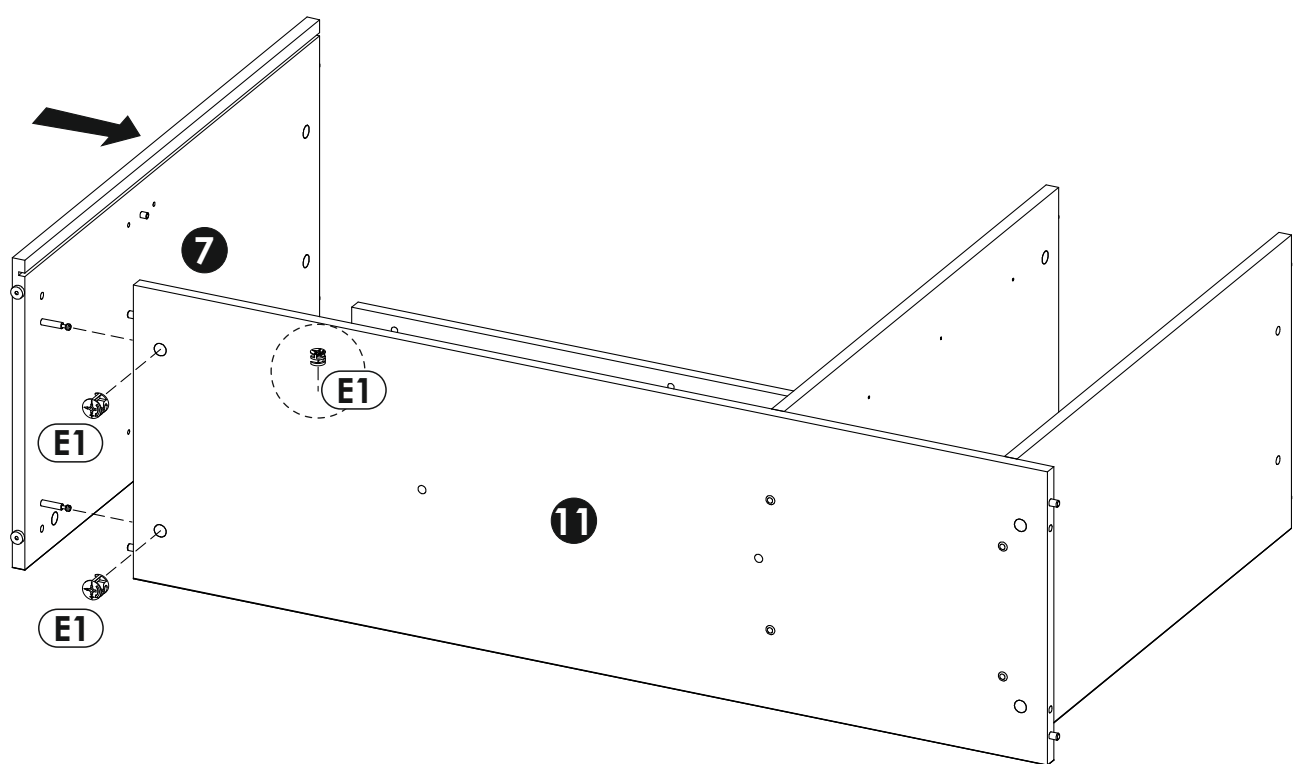
10 ▶



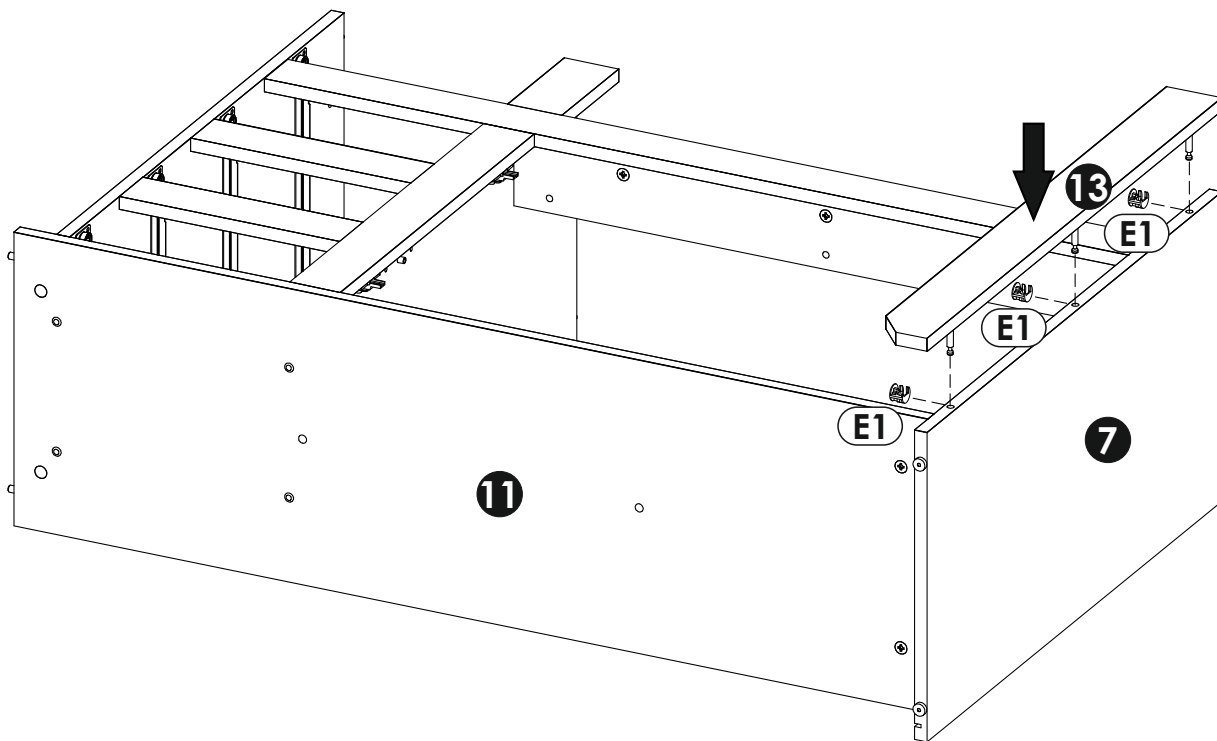
11▶



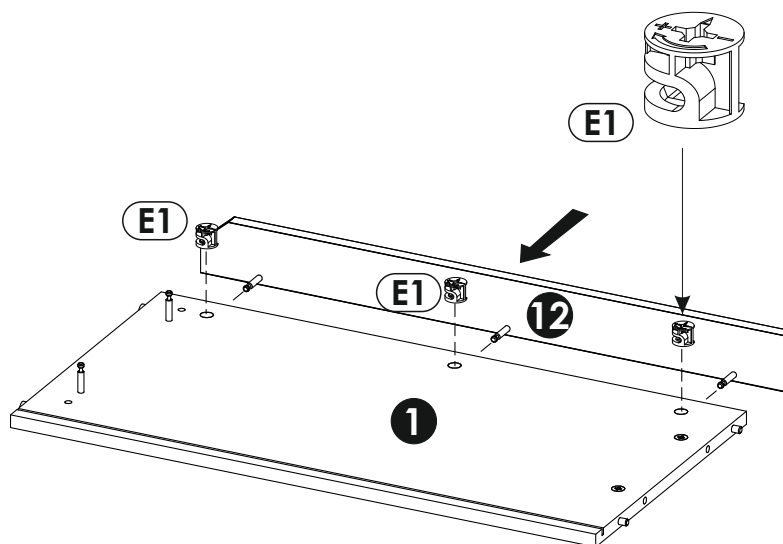
12▶



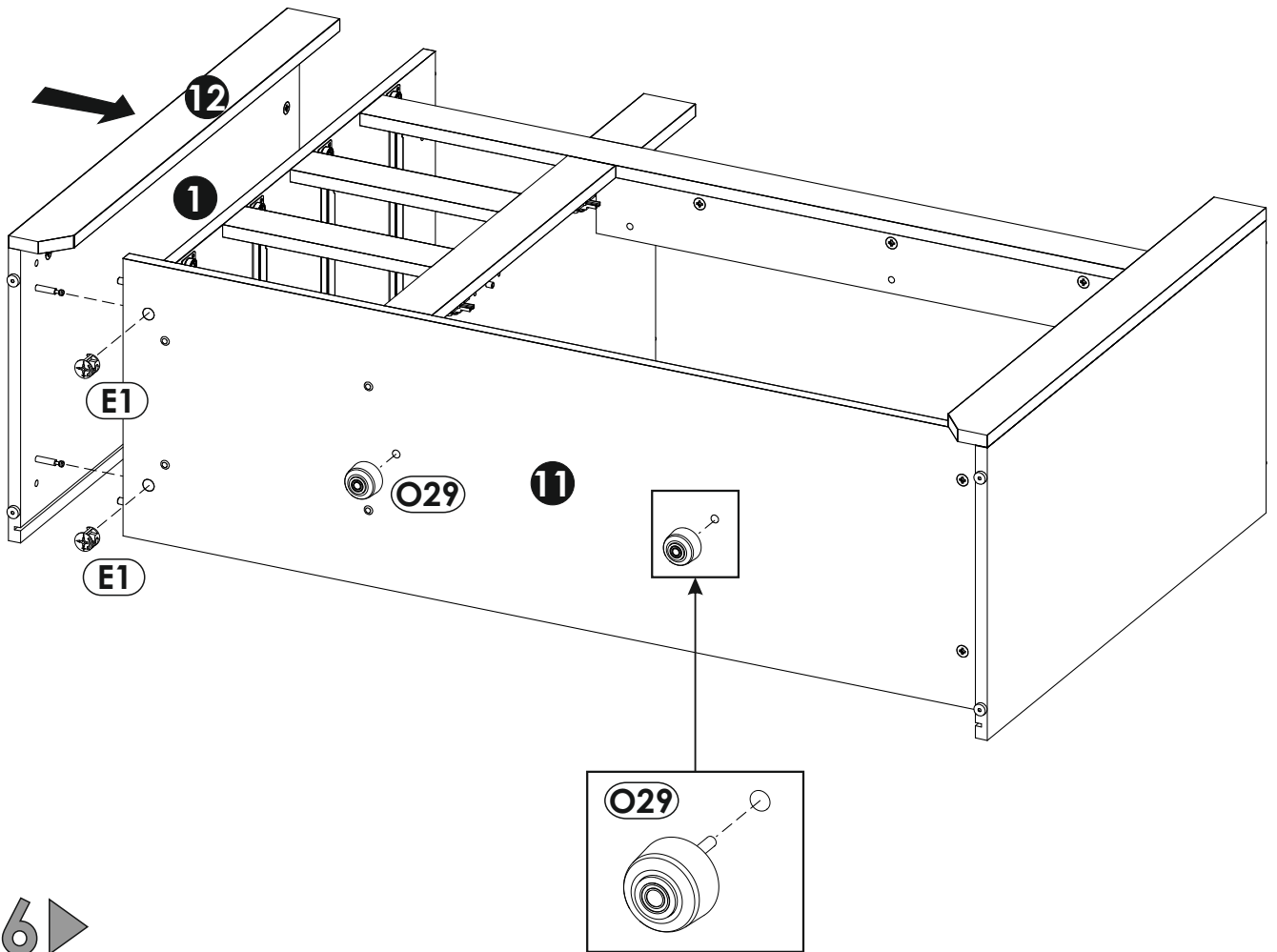
13▶



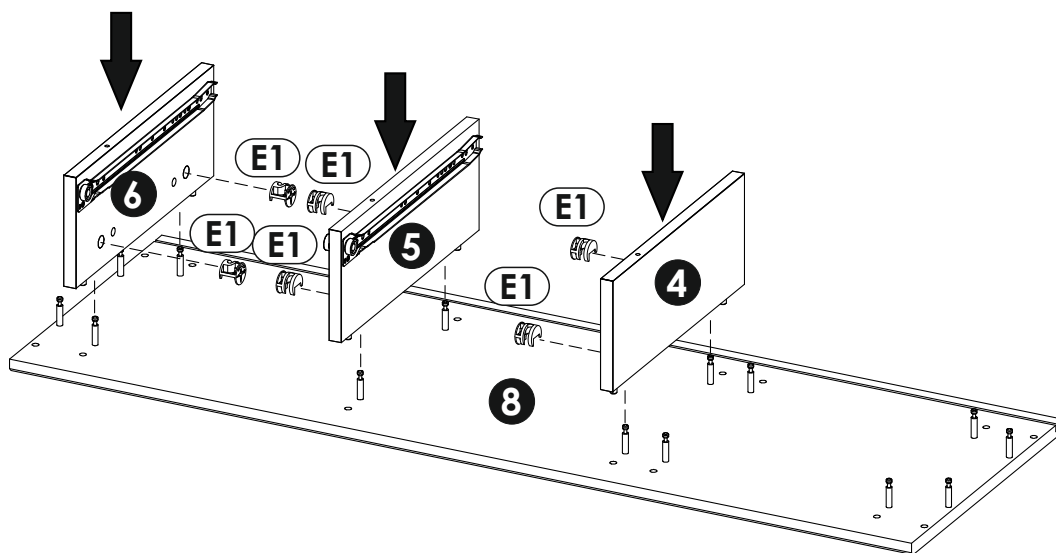
14▶



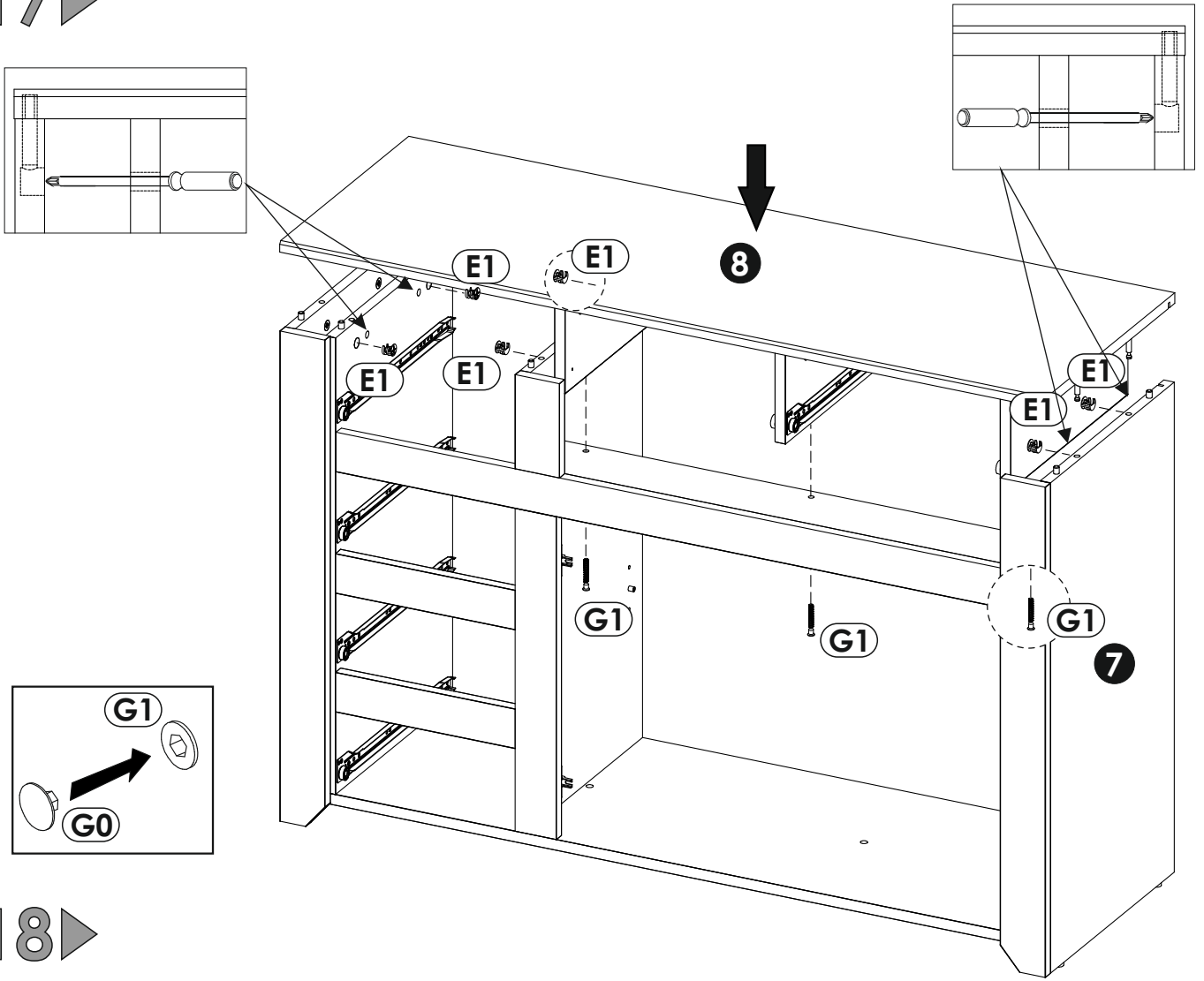
15▶



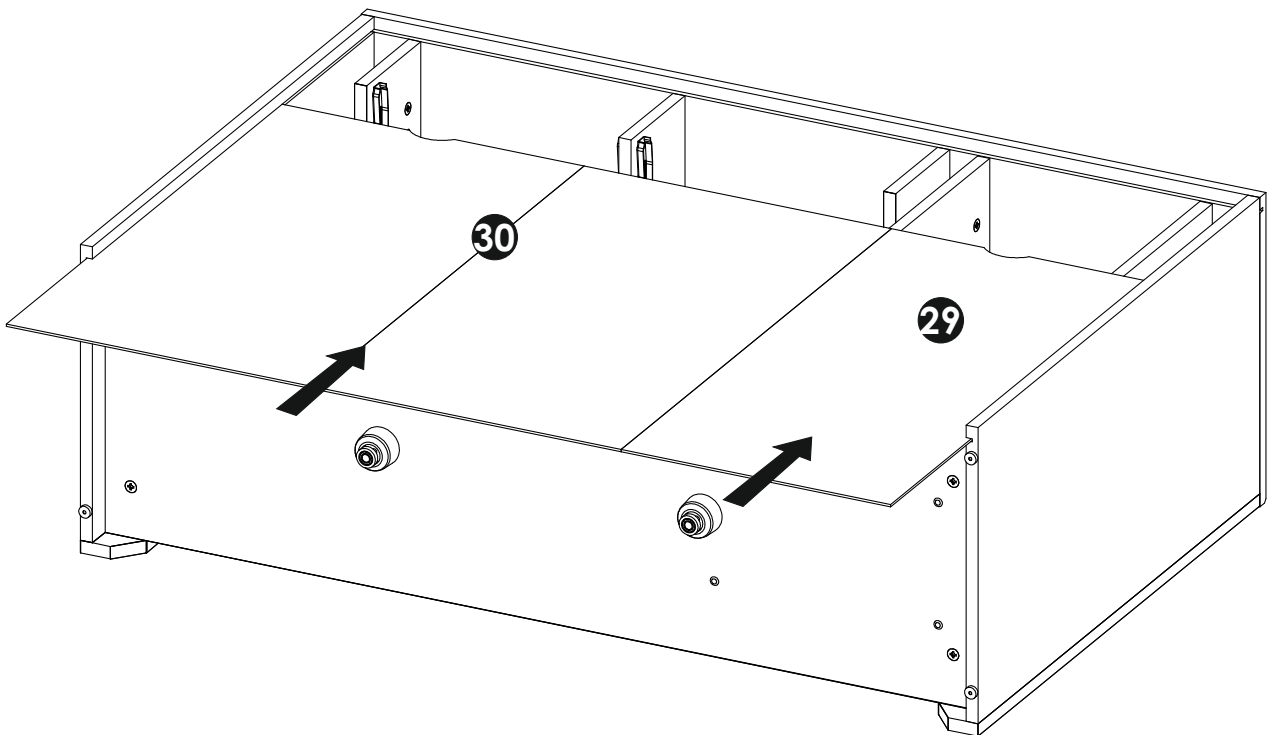
16▶

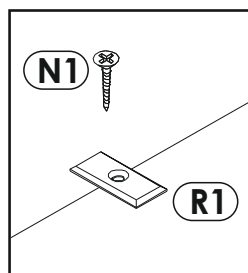
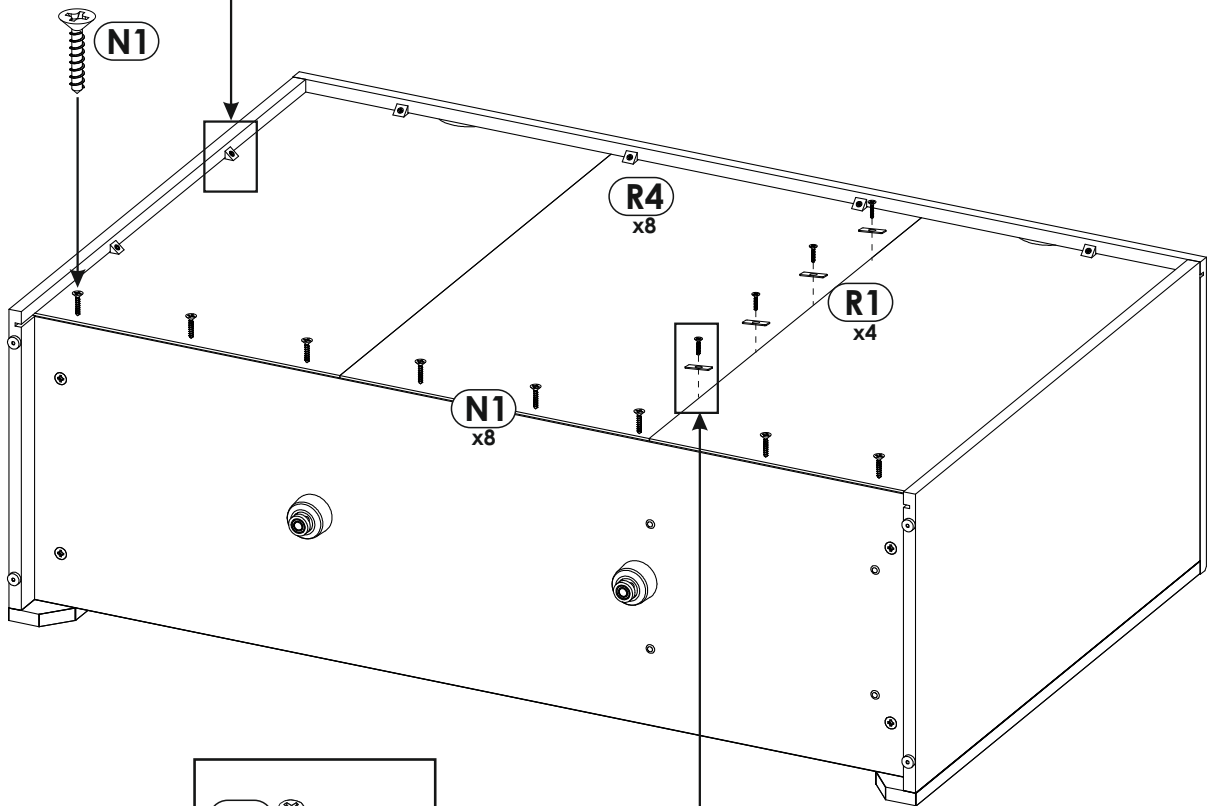
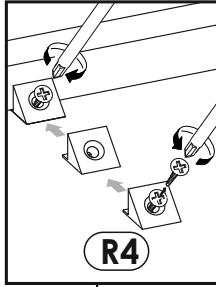
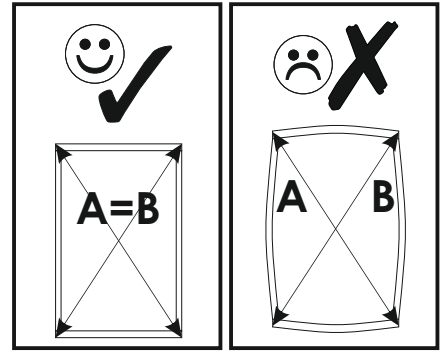


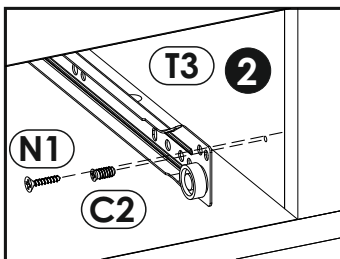
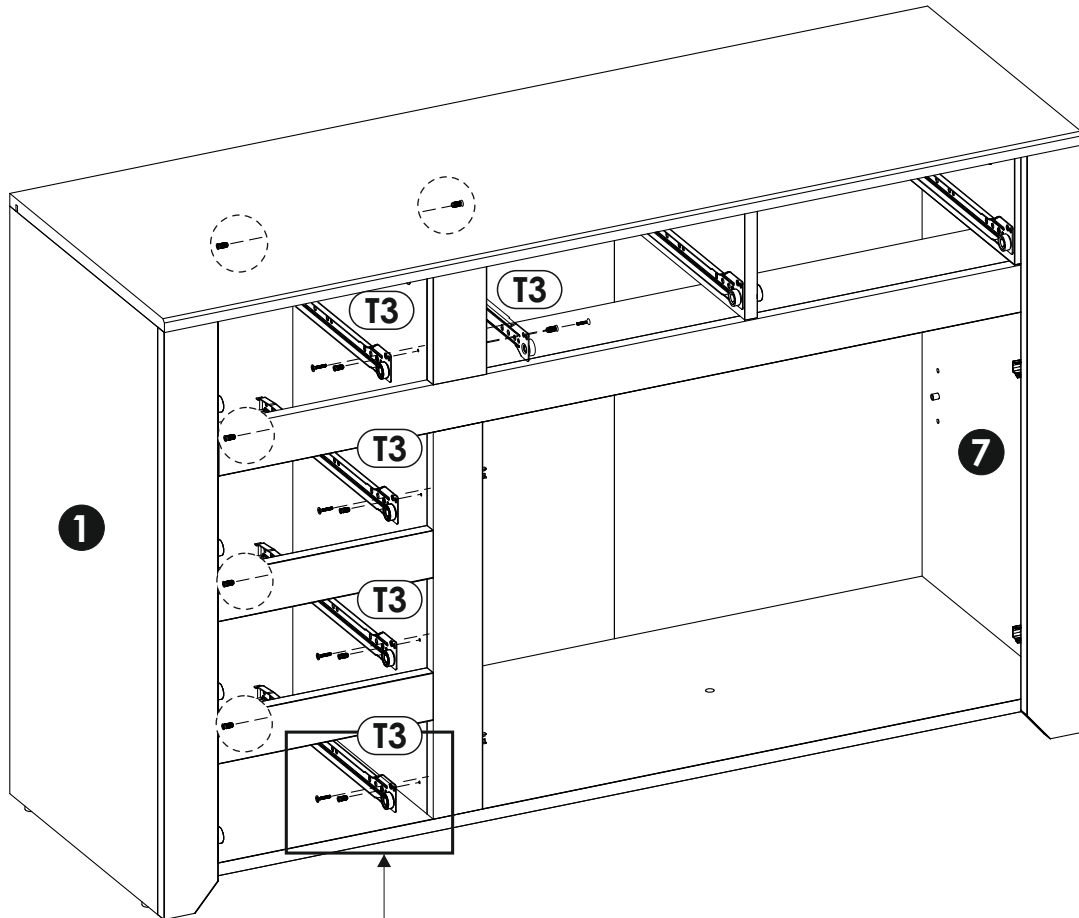
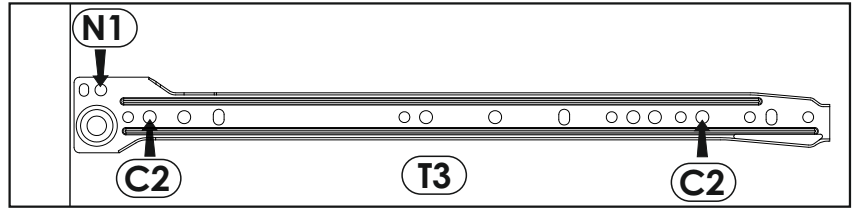
17▶



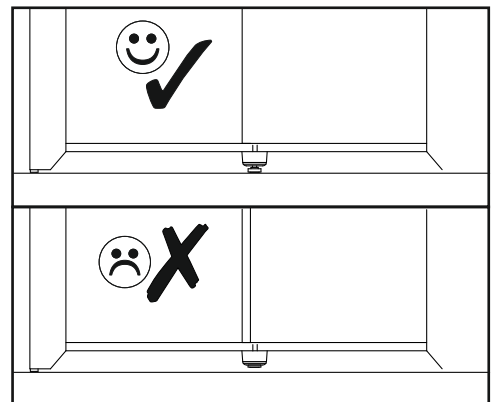
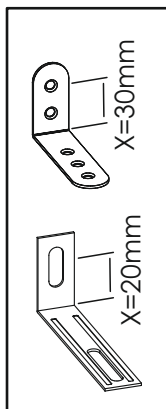
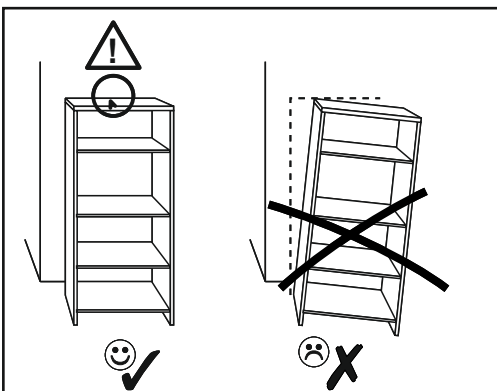
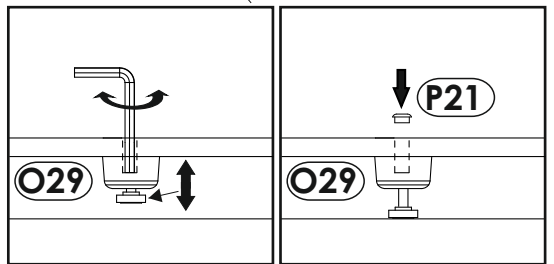
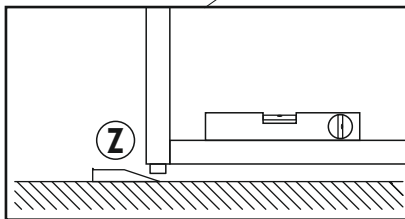
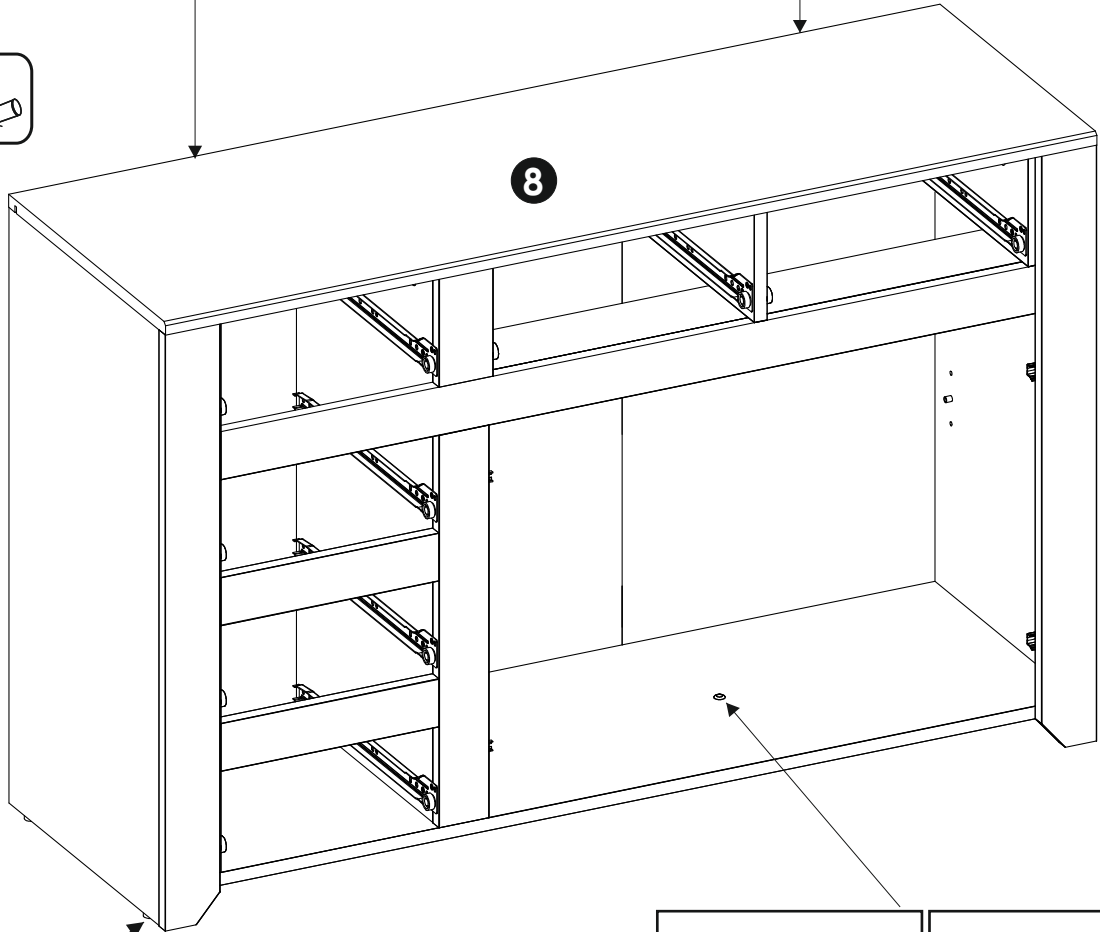
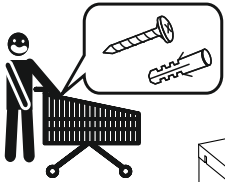
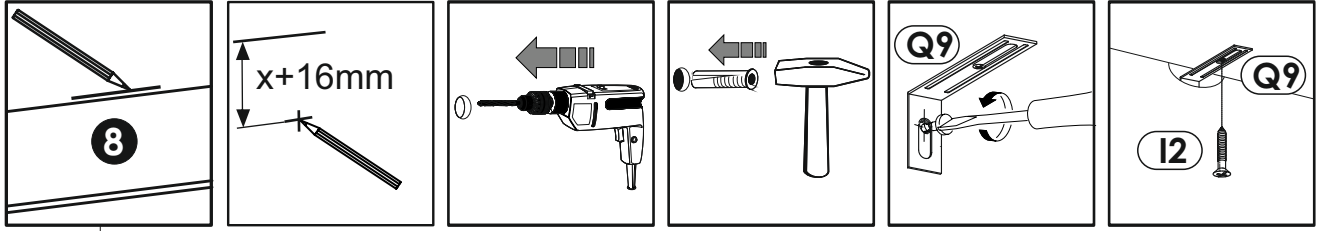
18▶



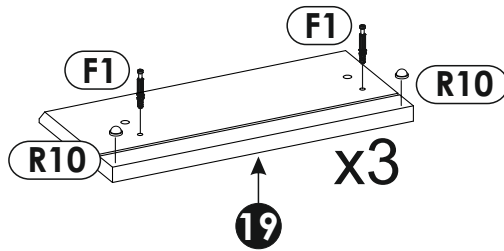
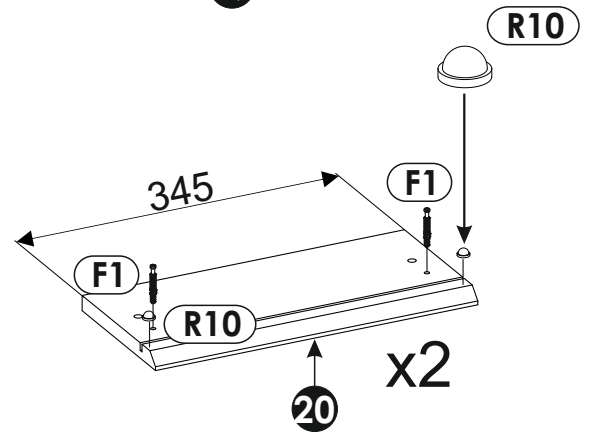
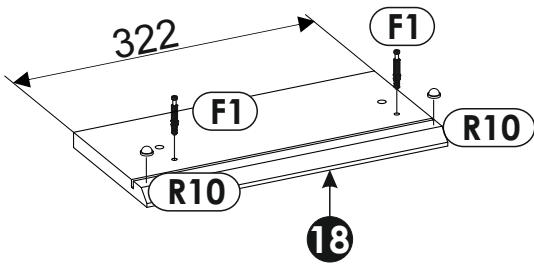
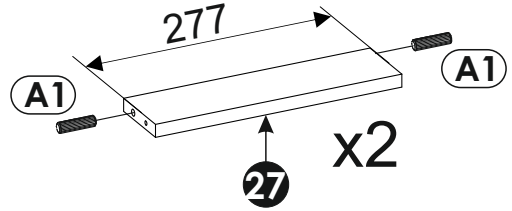
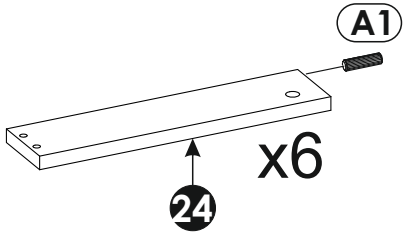
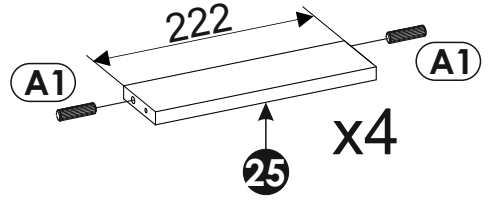
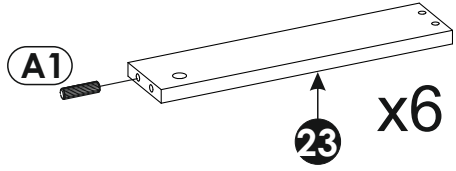




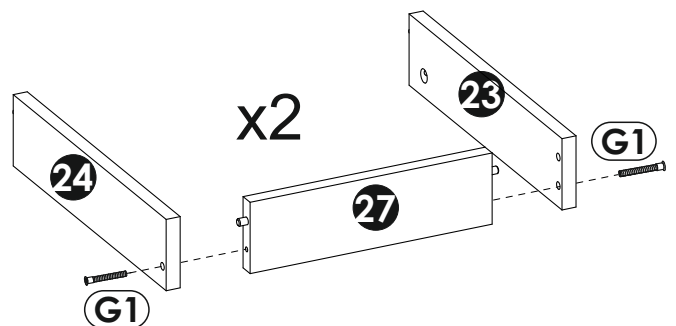
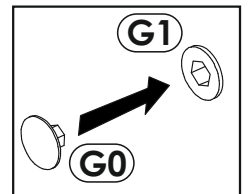
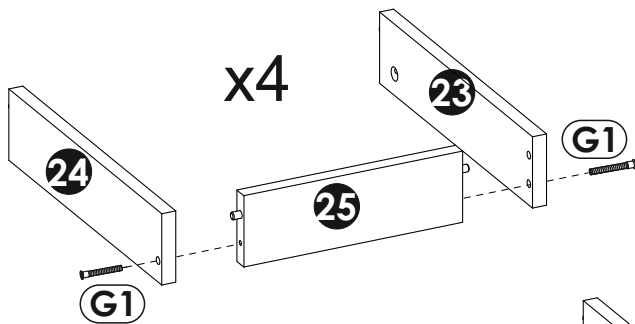
21 ▶



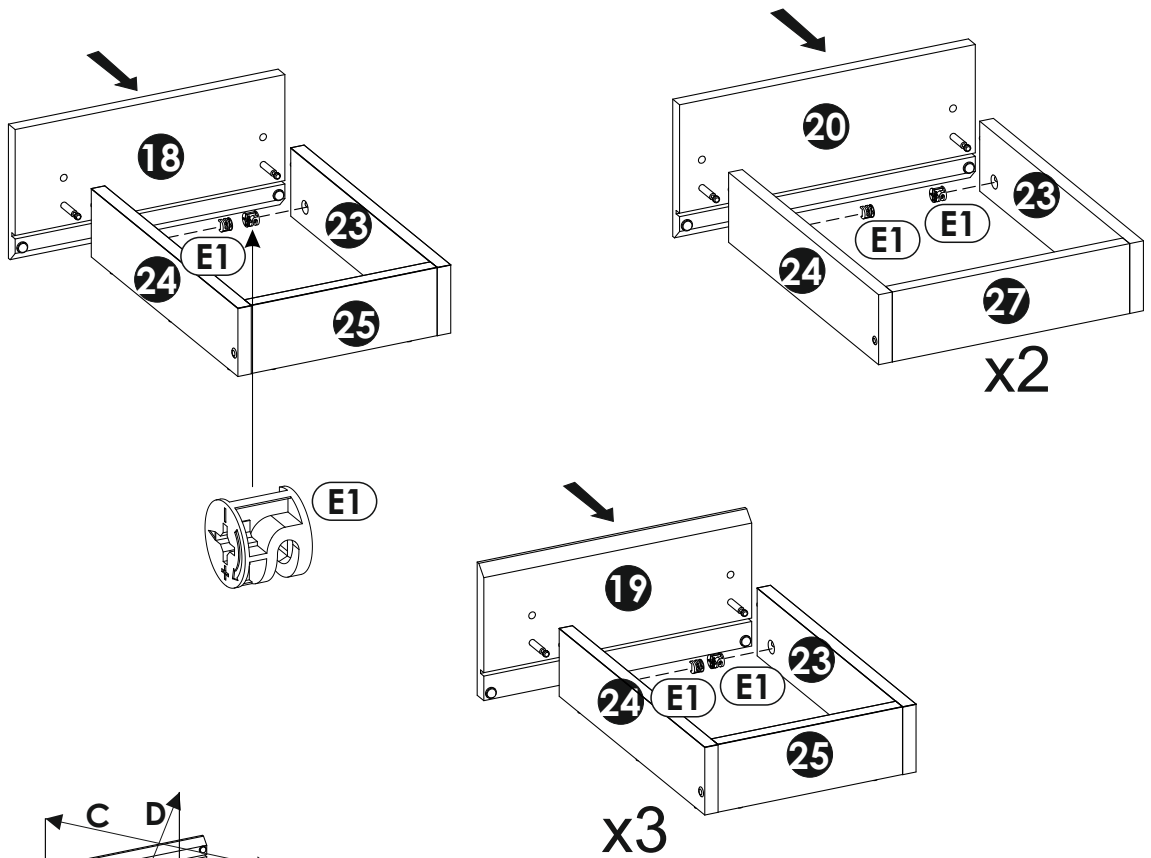
22 ▶



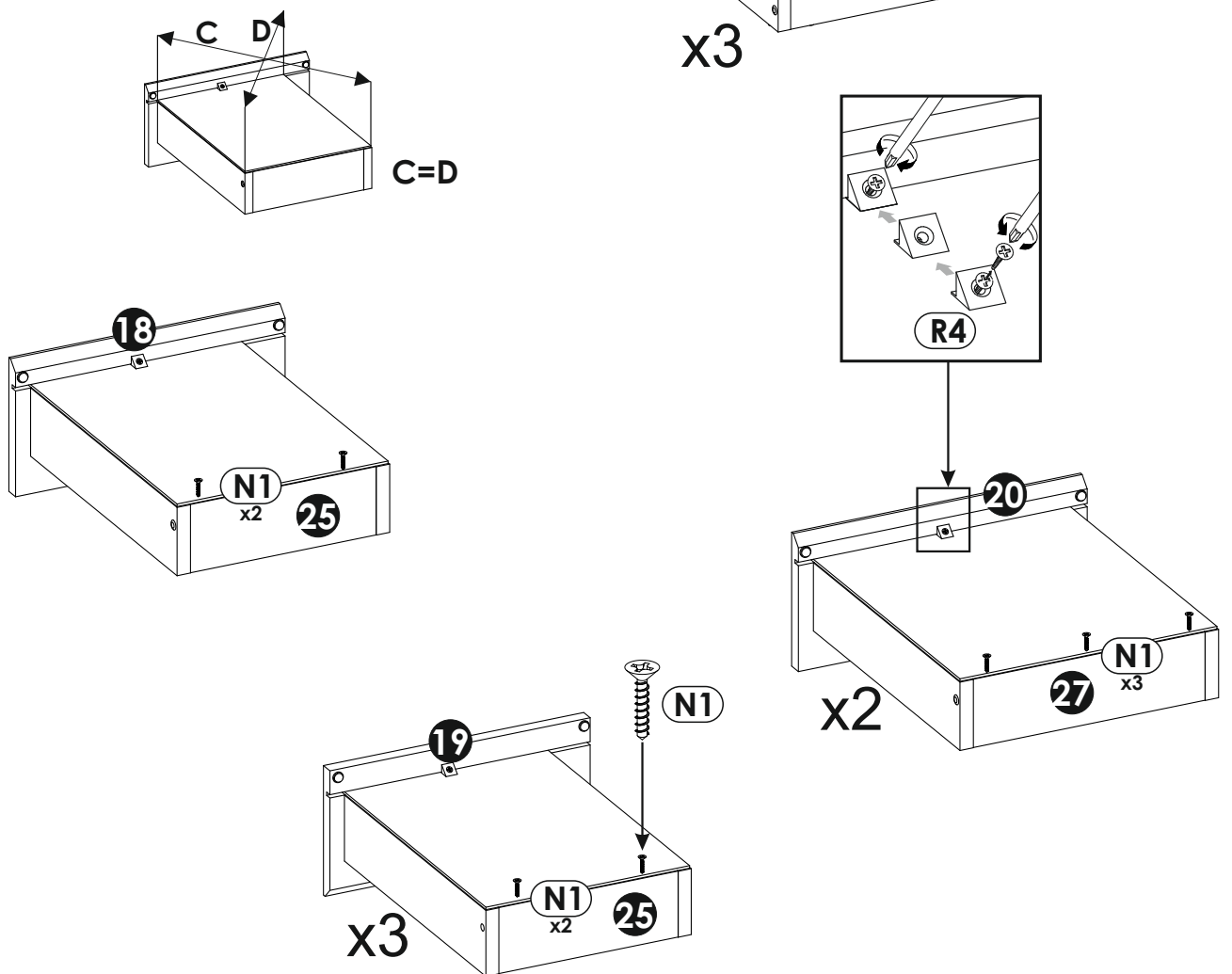
23 ▶



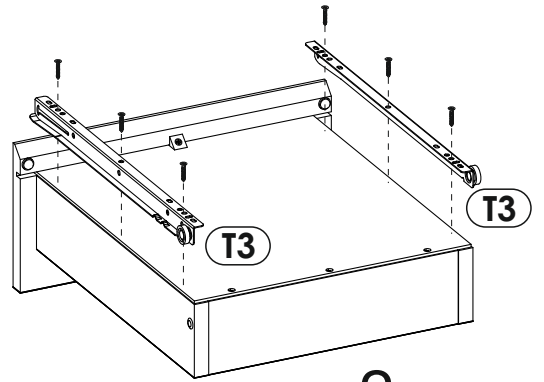
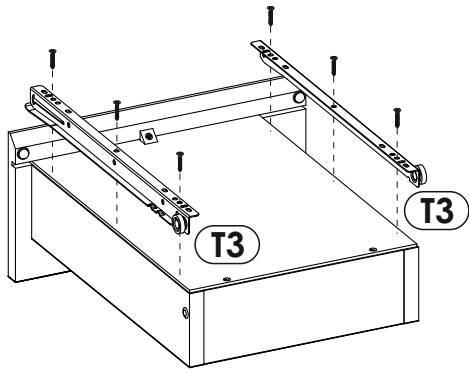
24 ▶



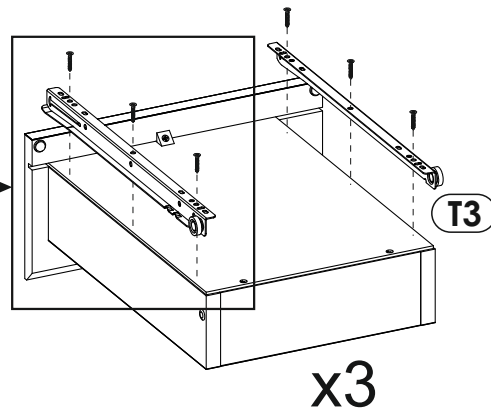
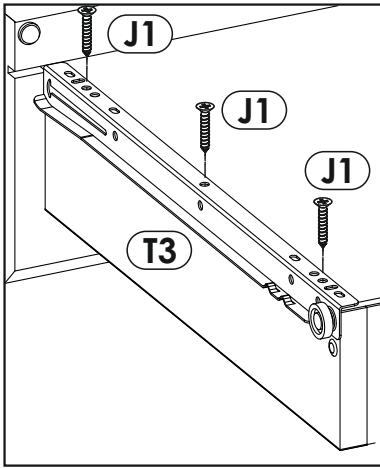
25 ▶



26 ▶

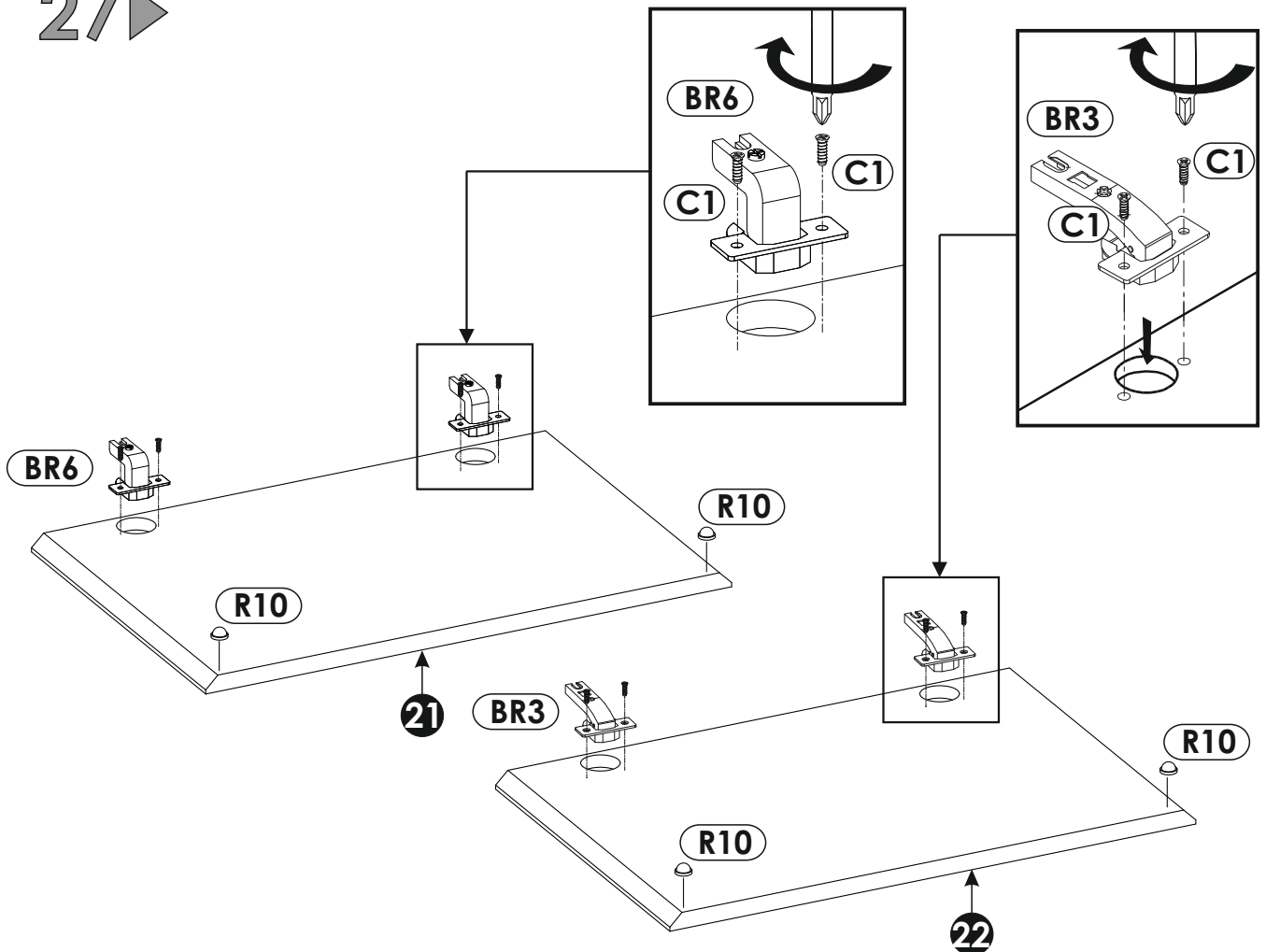


x2



x3

27 ▶



28 ▶

