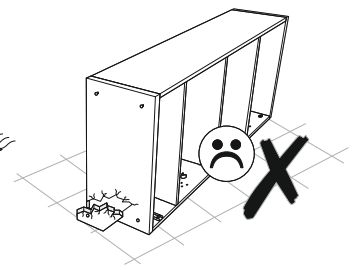
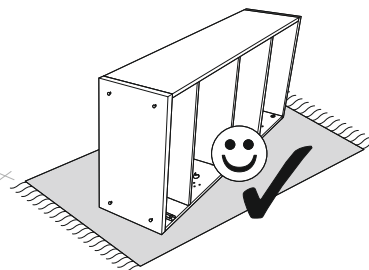
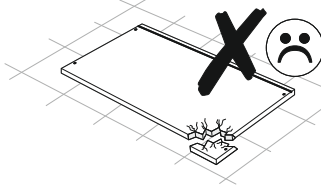
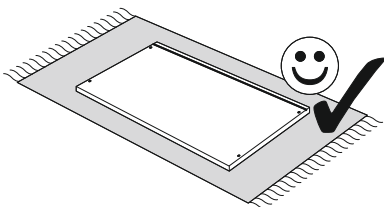
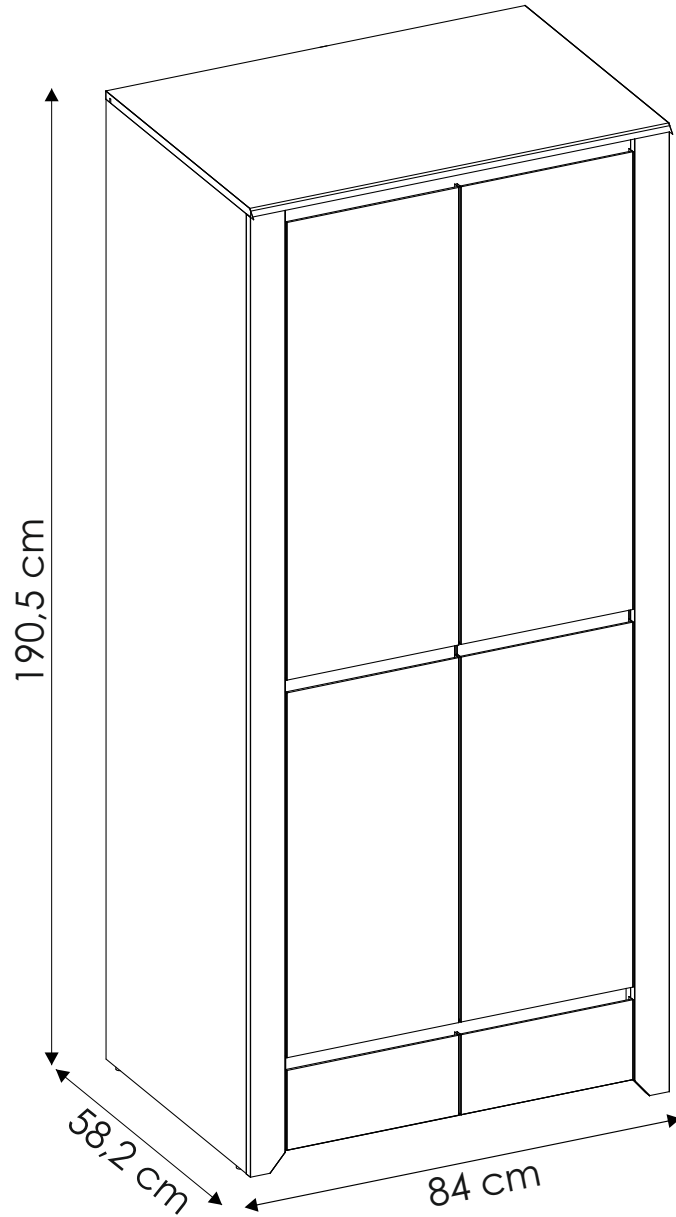
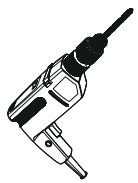
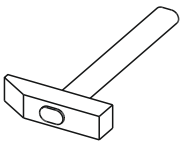
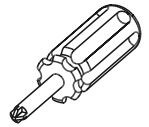
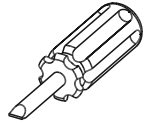
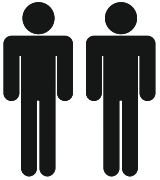
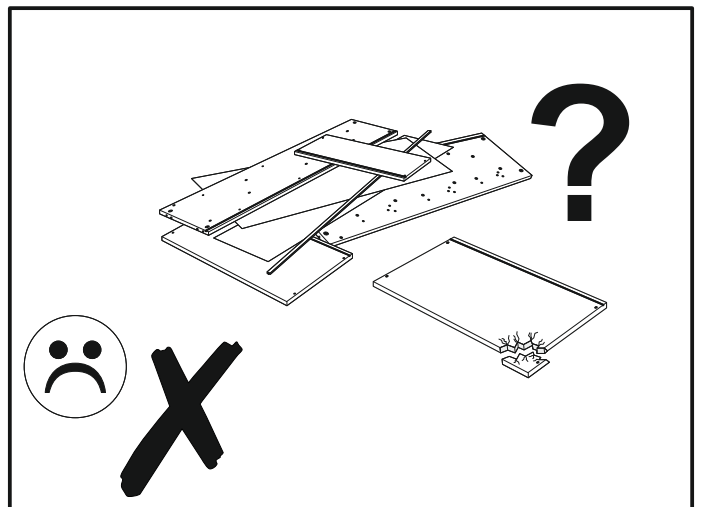
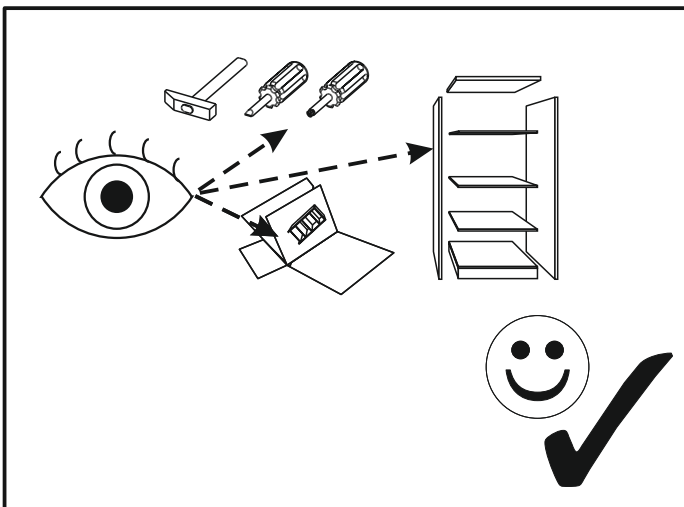
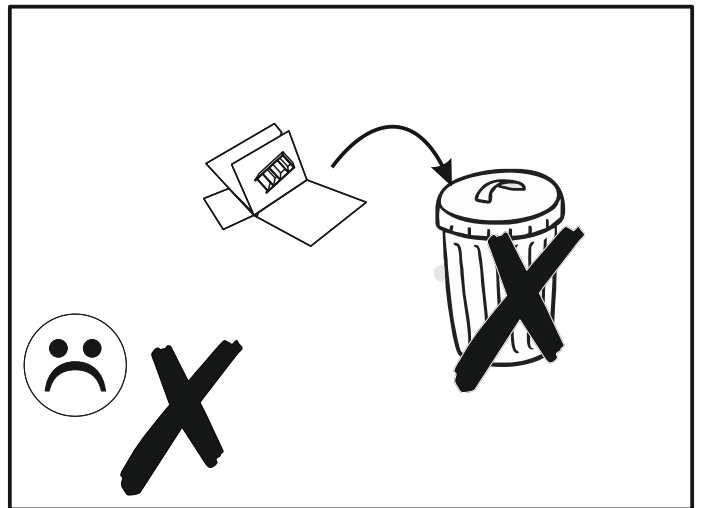
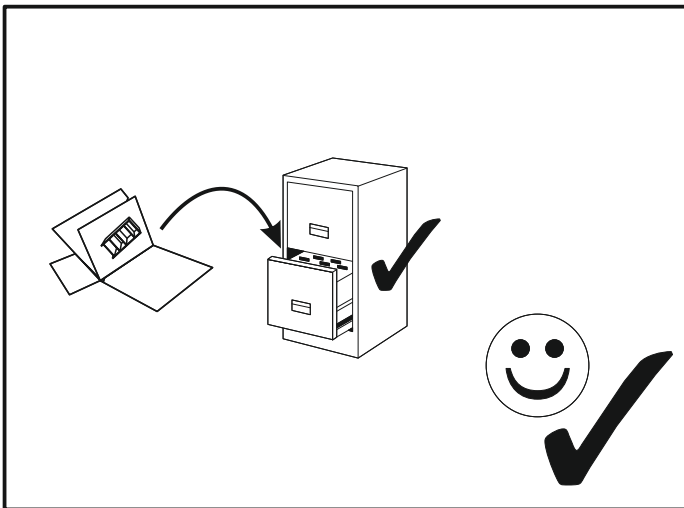
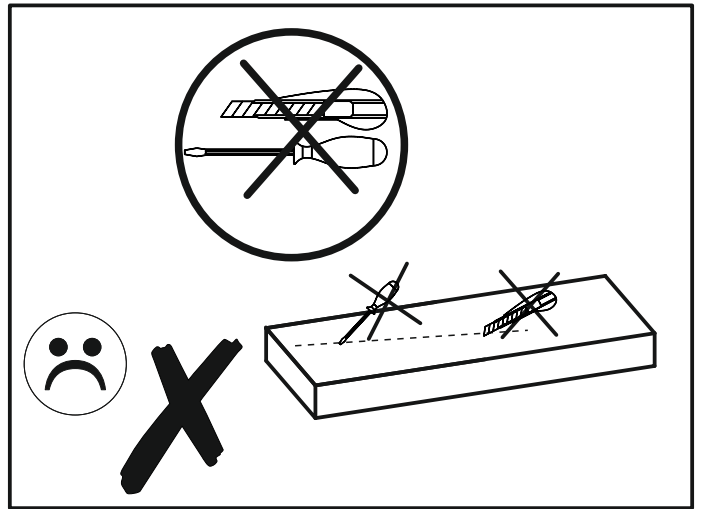
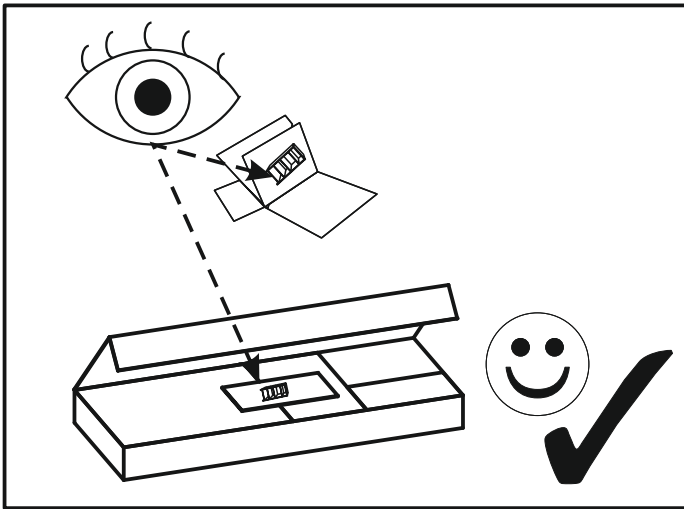
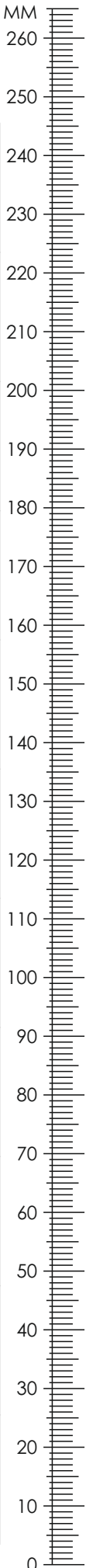




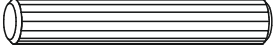
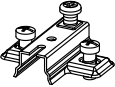
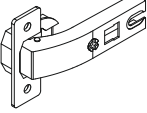


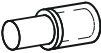


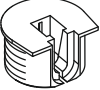


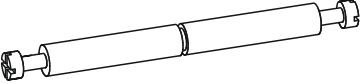
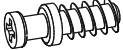

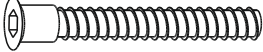




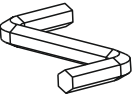

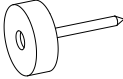
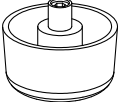
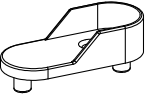


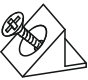

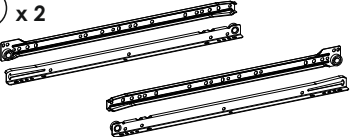
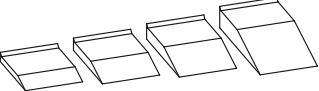
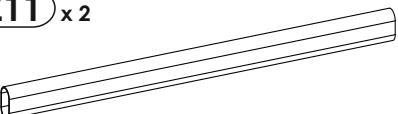
ANGEL 20



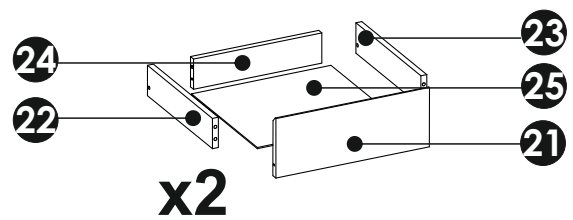
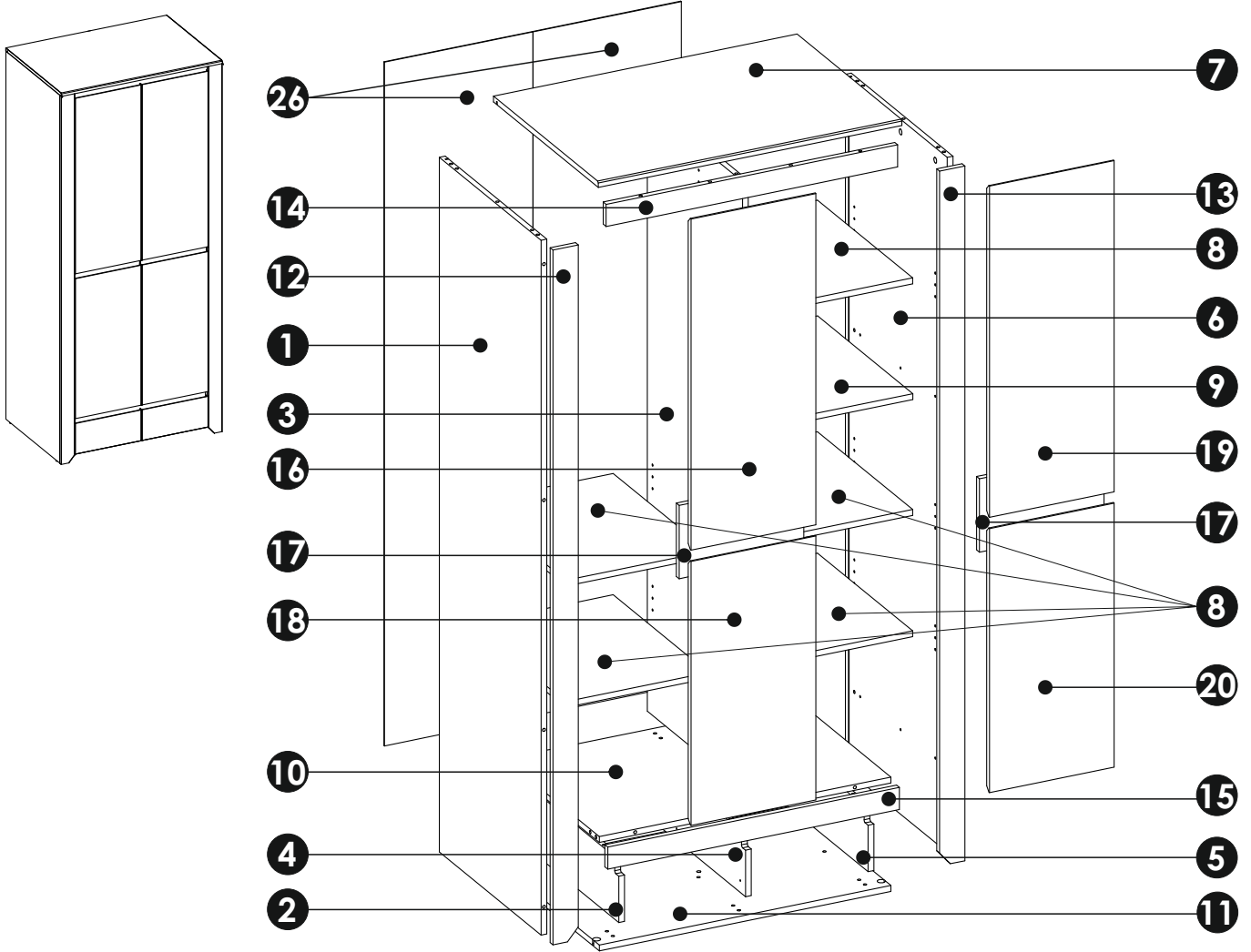


ANGEL 20



A0 x 8 \varnothing 8 x 24 mm 	A1 x 32 \varnothing 8 x 35 mm 	A3 x 2 \varnothing 8 x 60 mm 
BR2 x 6 	BR3 x 6 	C1 x 12 4 x 13 mm 
C2 x 8 5 x 13 mm 	D2 x 20 	E0 x 53 
E1 x 53 \varnothing 15 x 12 mm 	E2 x 4 	E14 x 12 
F1 x 47 	F4 x 3 \varnothing 7 x 76mm 	F2 x 4 
G0 x 13 	G1 x 13 \varnothing 7 x 50 mm 	I2 x 1 4 x 16 mm 
I5 x 2 3,5 x 30mm 	J1 x 12 3 x 20mm 	J6 x 12 4 x 30mm 
M x 1 	N1 x 40 3 x 16 mm 	O2 x 4 
O29 x 1 	P44 x 4 	Q9 x 1 
R1 x 12 	R4 x 17 	R10 x 8 
T5 x 2 	Z x 1 	Z11 x 2 

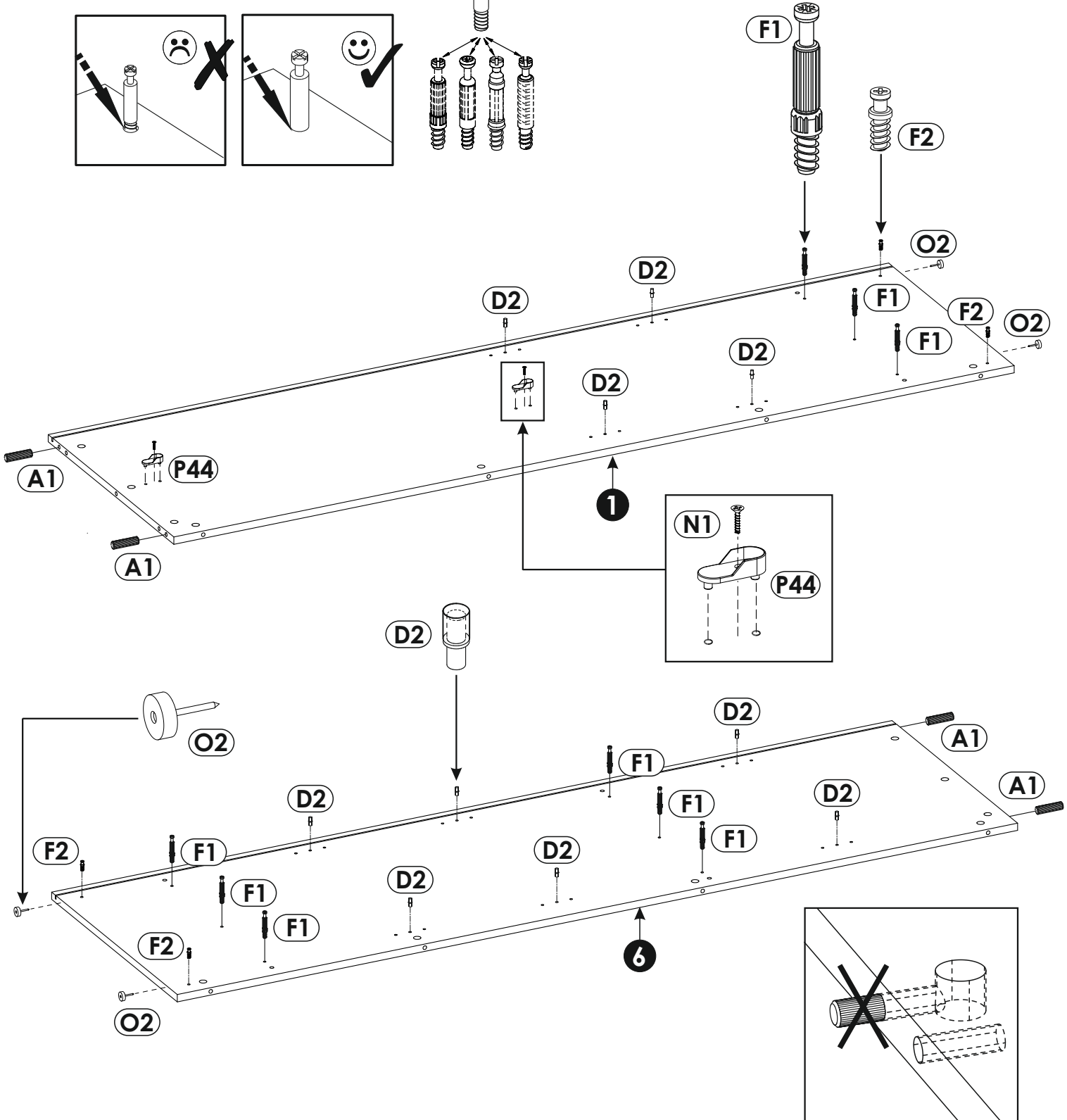
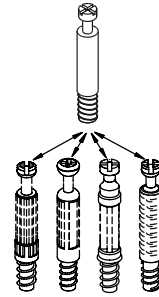
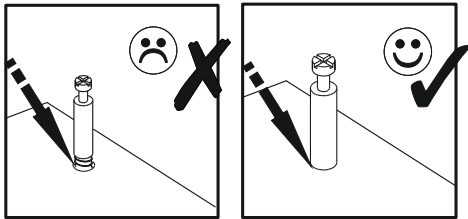
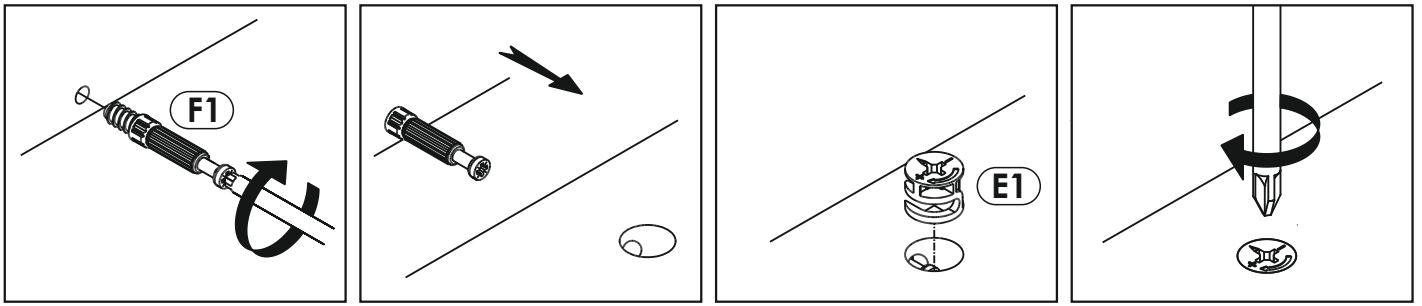
ANGEL 20



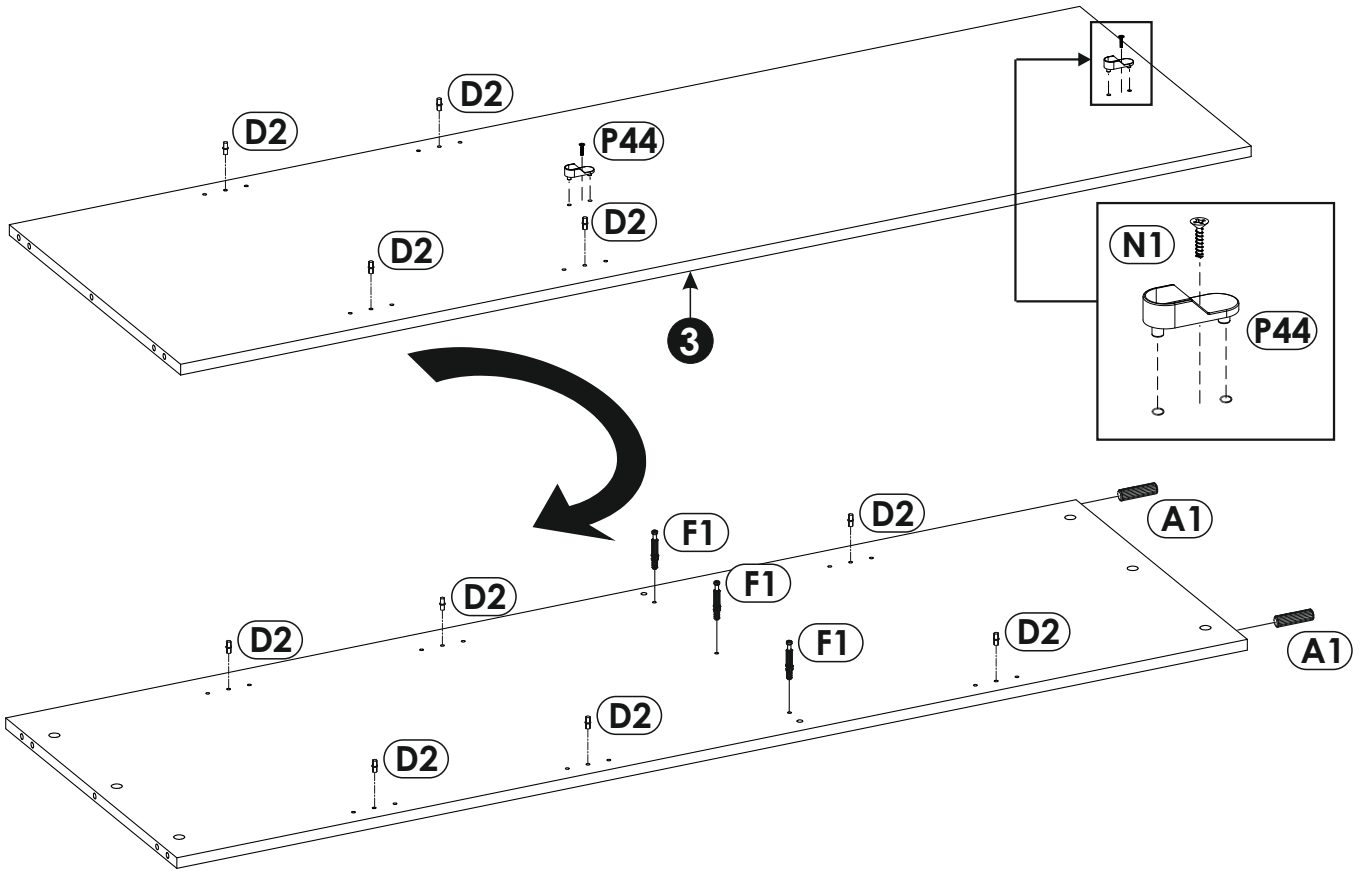
1	1884	563	16	x1	3/3
2	543	170	16	x1	2/3
3	1647	527	16	x1	2/3
4	543	170	16	x1	2/3
5	543	170	16	x1	2/3
6	1884	563	16	x1	3/3
7	840	582	16	x1	2/3
8	527	395	16	x5	1/3
9	527	395	16	x1	1/3

10	807	527	16	x1	2/3
11	807	543	16	x1	2/3
12	1884	70	16	x1	3/3
13	1884	70	16	x1	3/3
14	807	60	16	x1	2/3
15	807	60	16	x1	2/3
16	898	345	16	x1	1/3
17	345	199	16	x2	1/3
18	716	345	16	x1	1/3

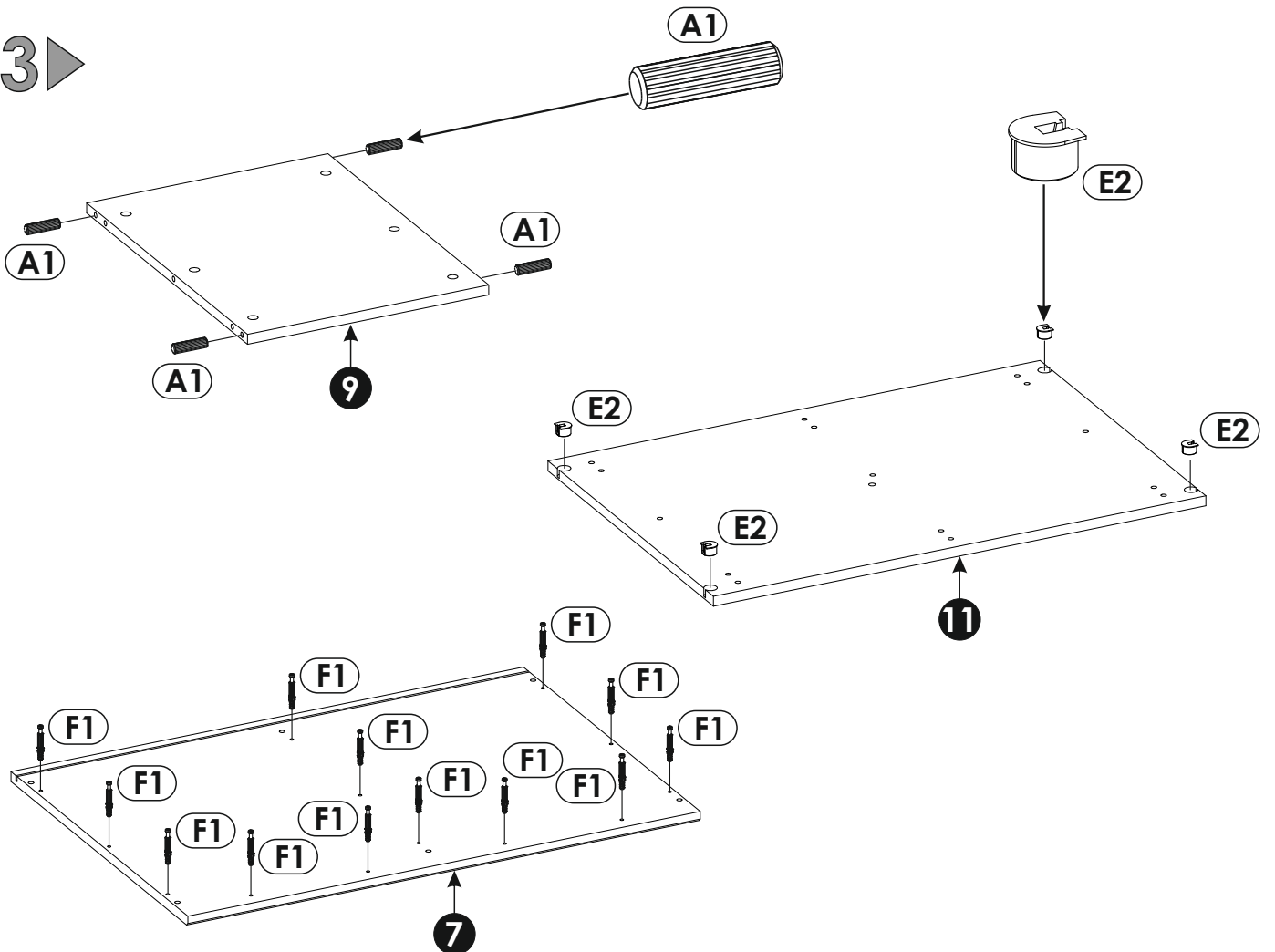
19	898	345	16	x1	1/3
20	716	345	16	x1	1/3
21	345	157	16	x2	1/3
22	450	80	16	x2	2/3
23	450	80	16	x2	2/3
24	277	80	16	x2	1/3
25	455	307	3	x2	1/3
26	1854	411	3	x2	3/3



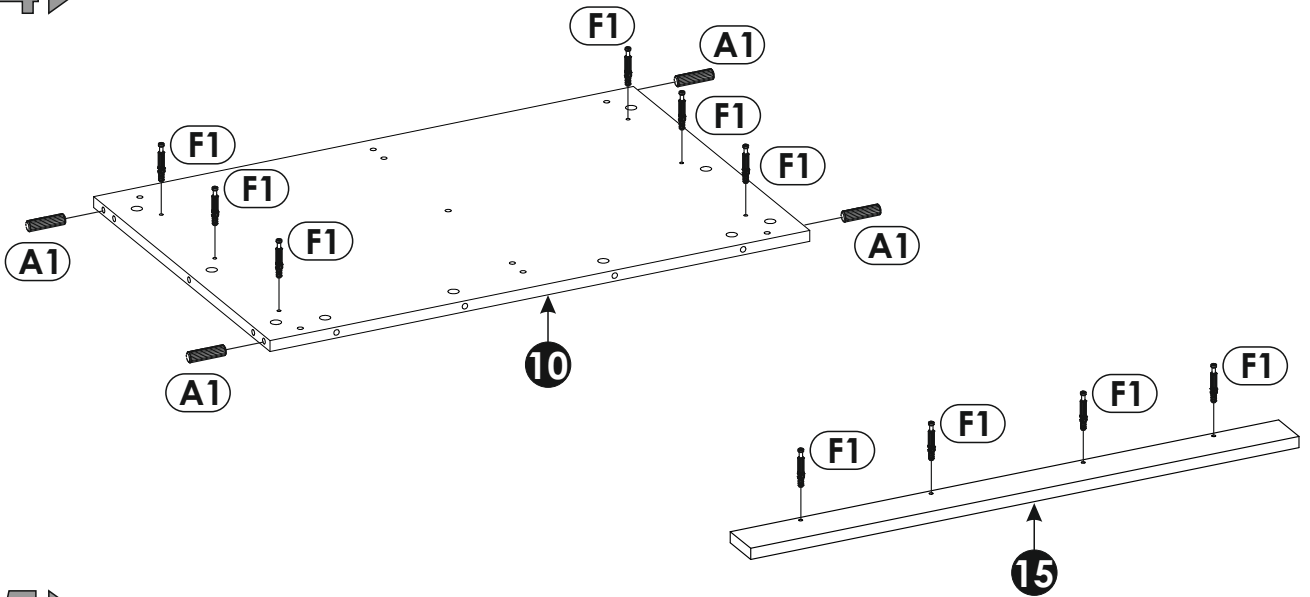
2 ▶



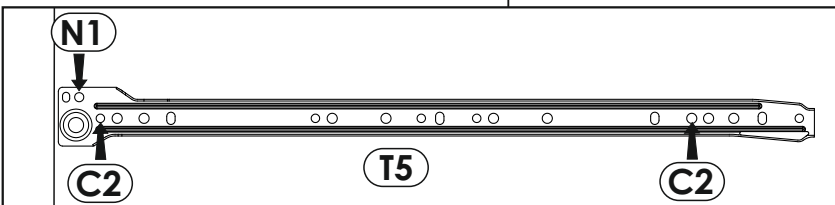
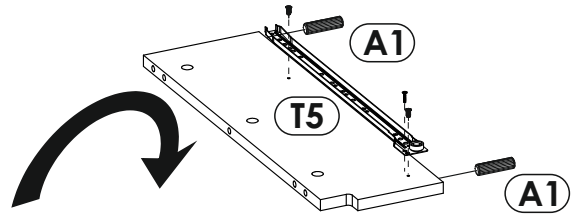
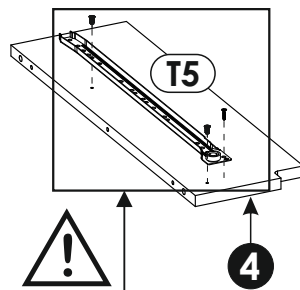
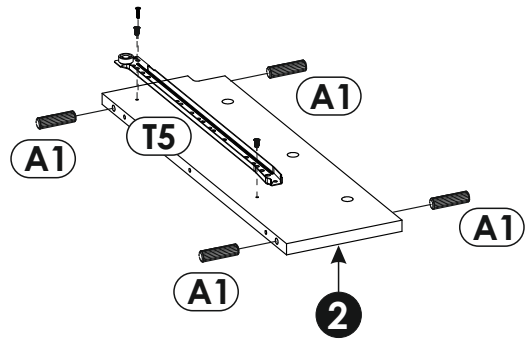
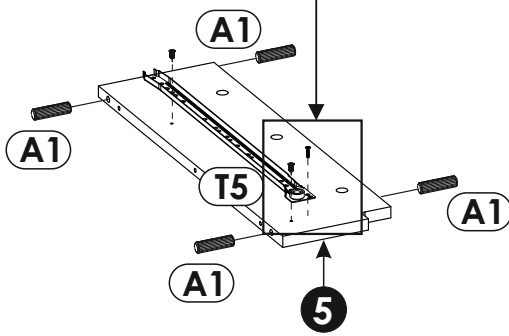
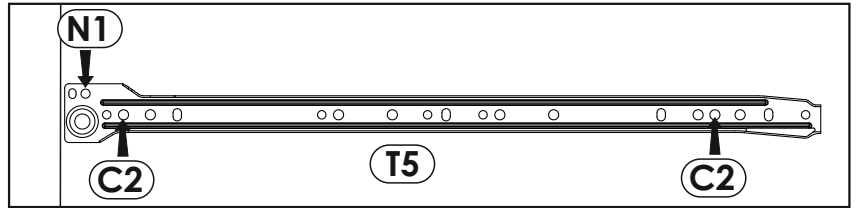
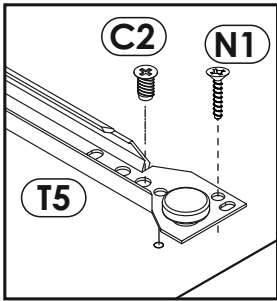
3 ▶



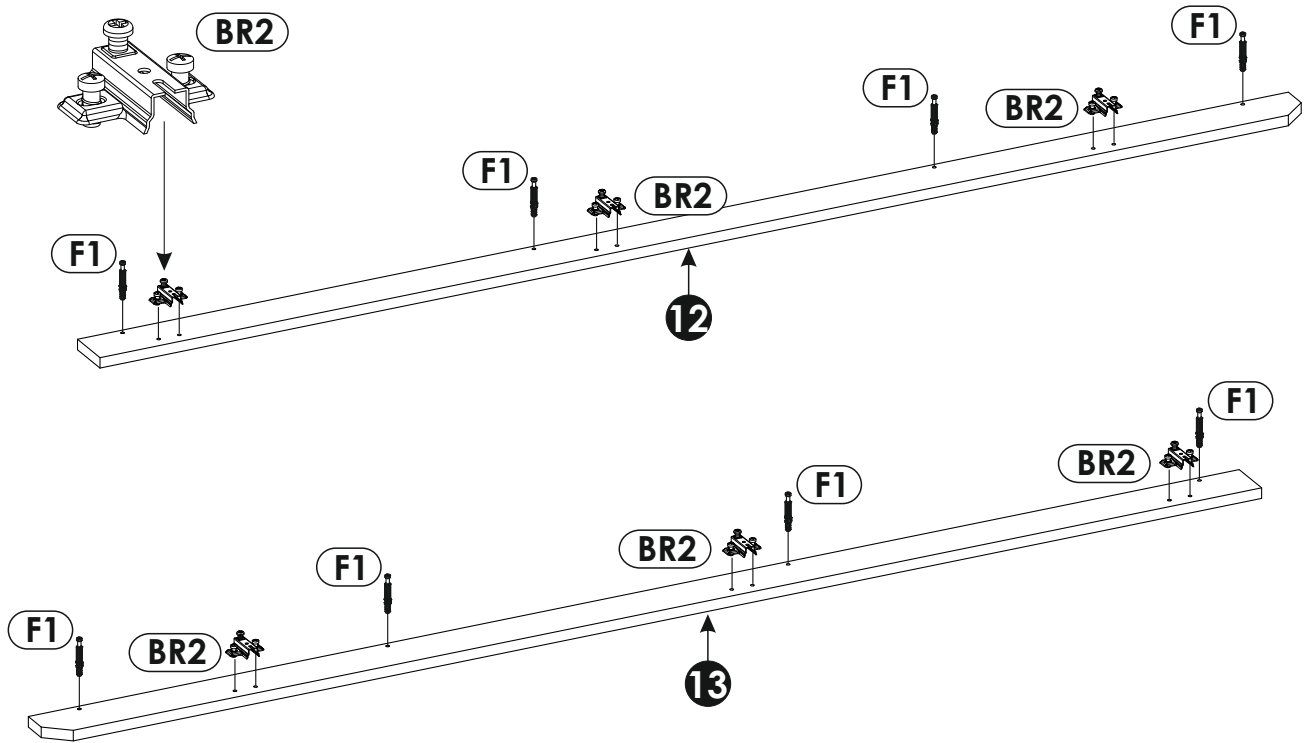
4 ▶



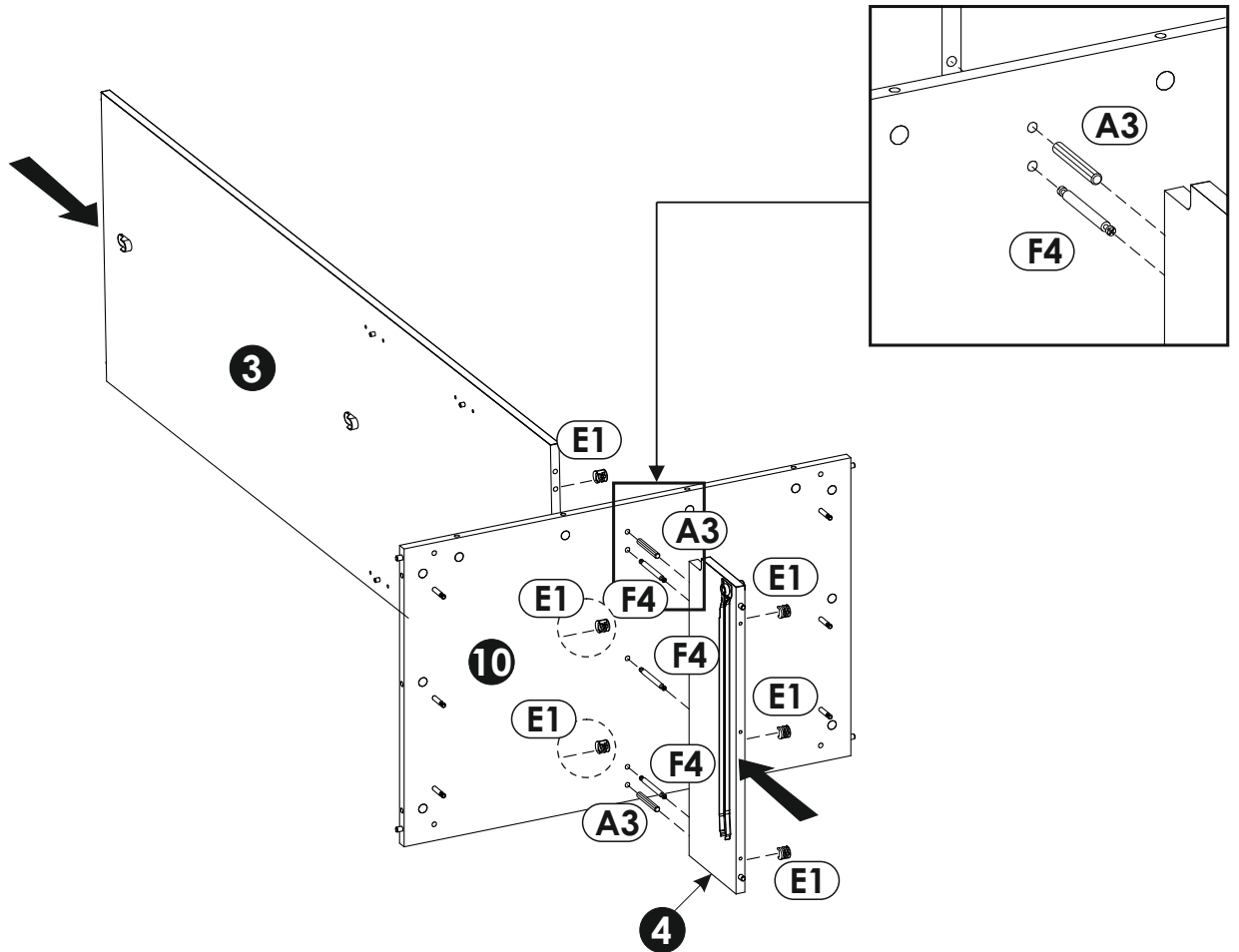
5 ▶



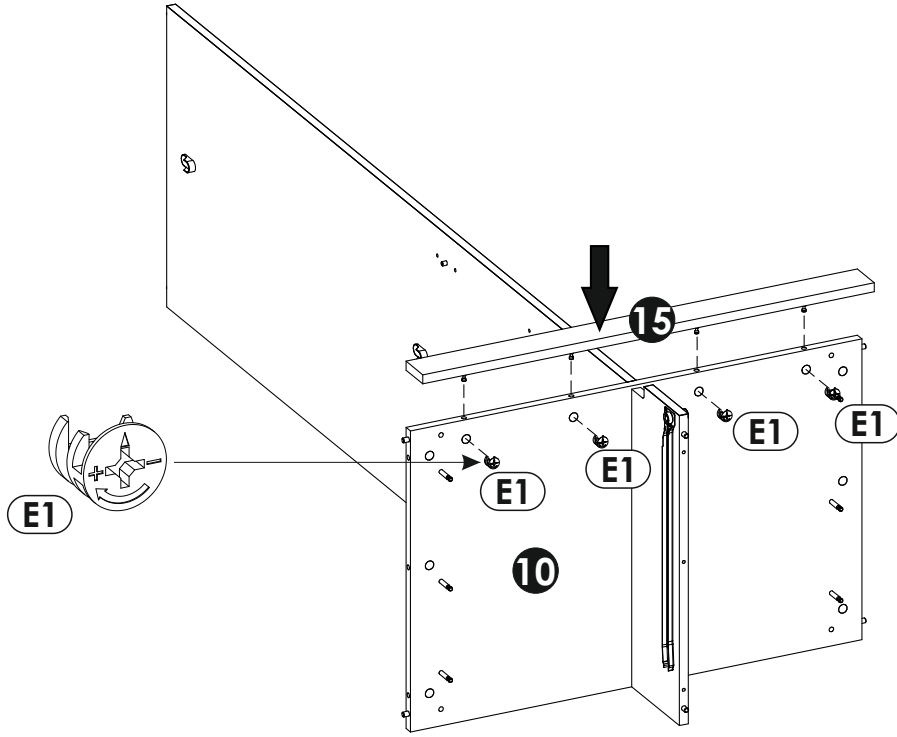
6 ▶



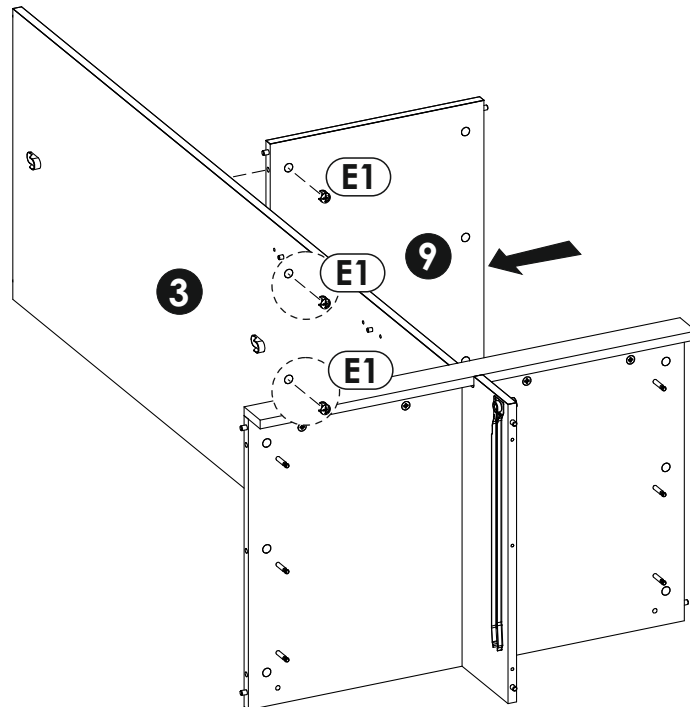
7 ▶



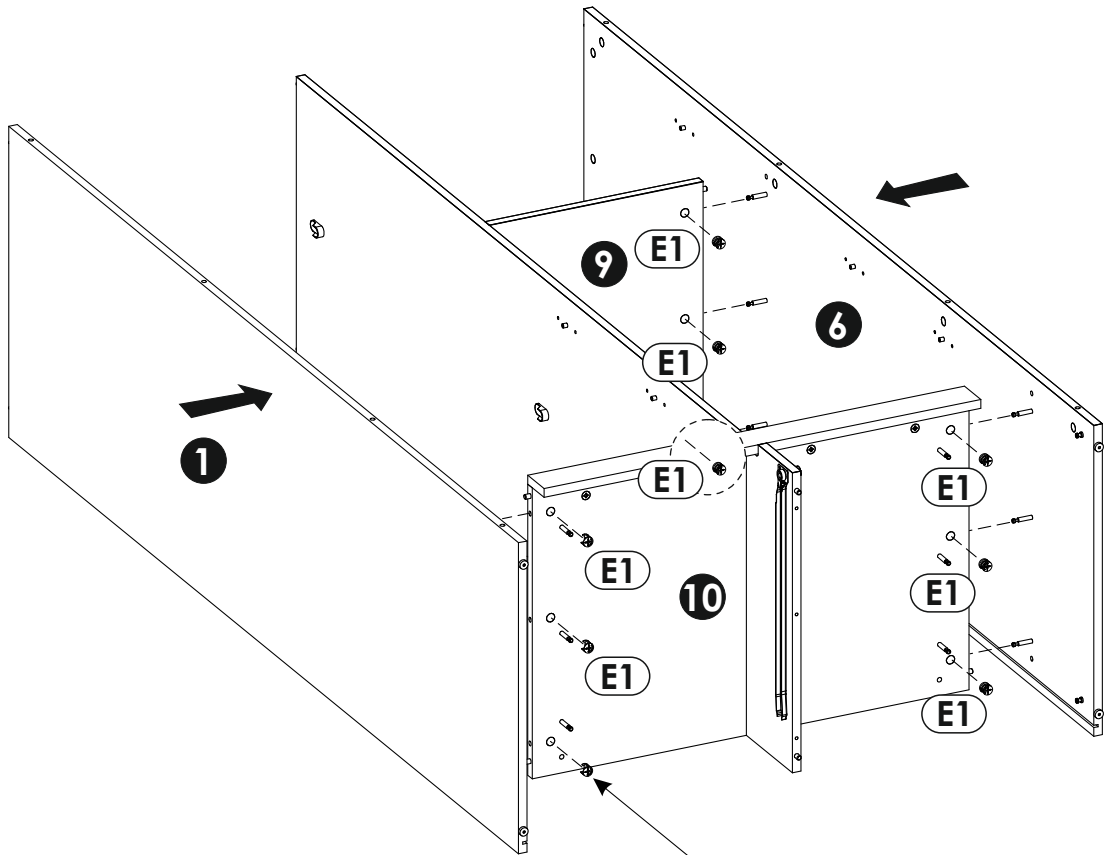
8 ▶



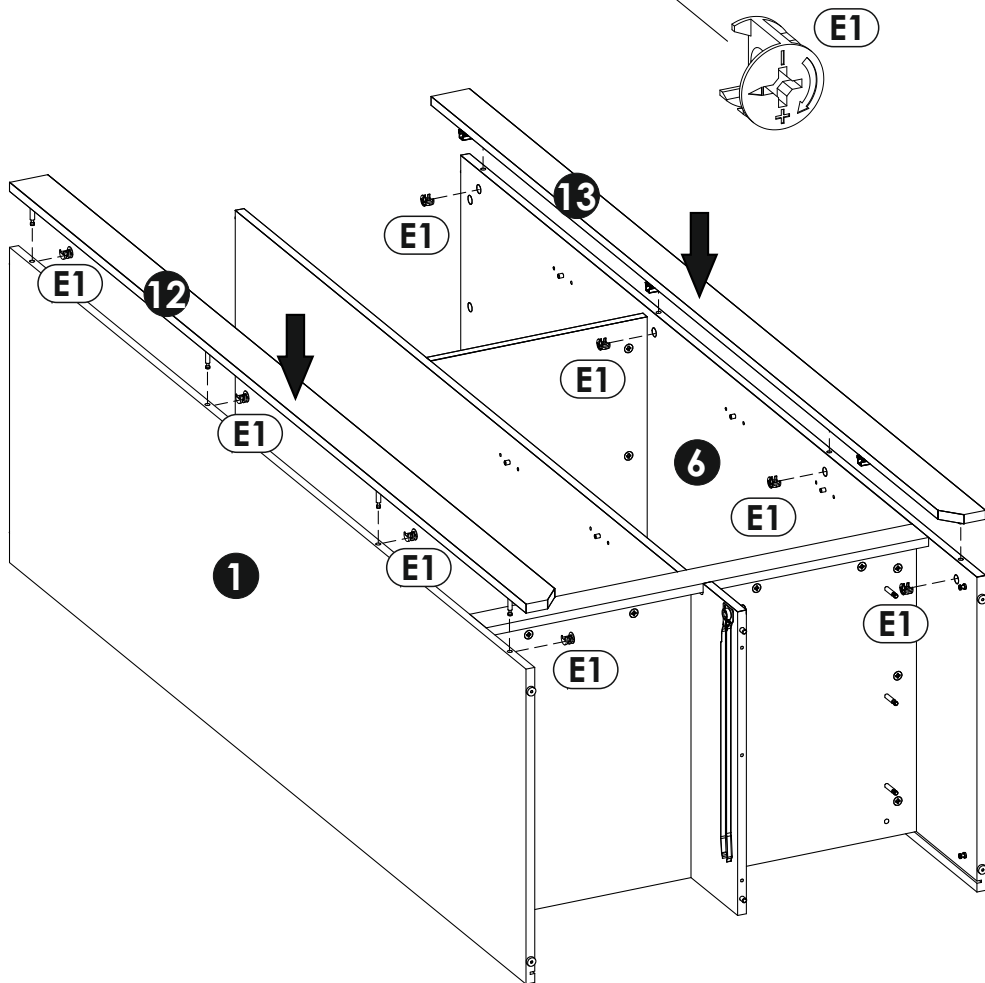
9 ▶



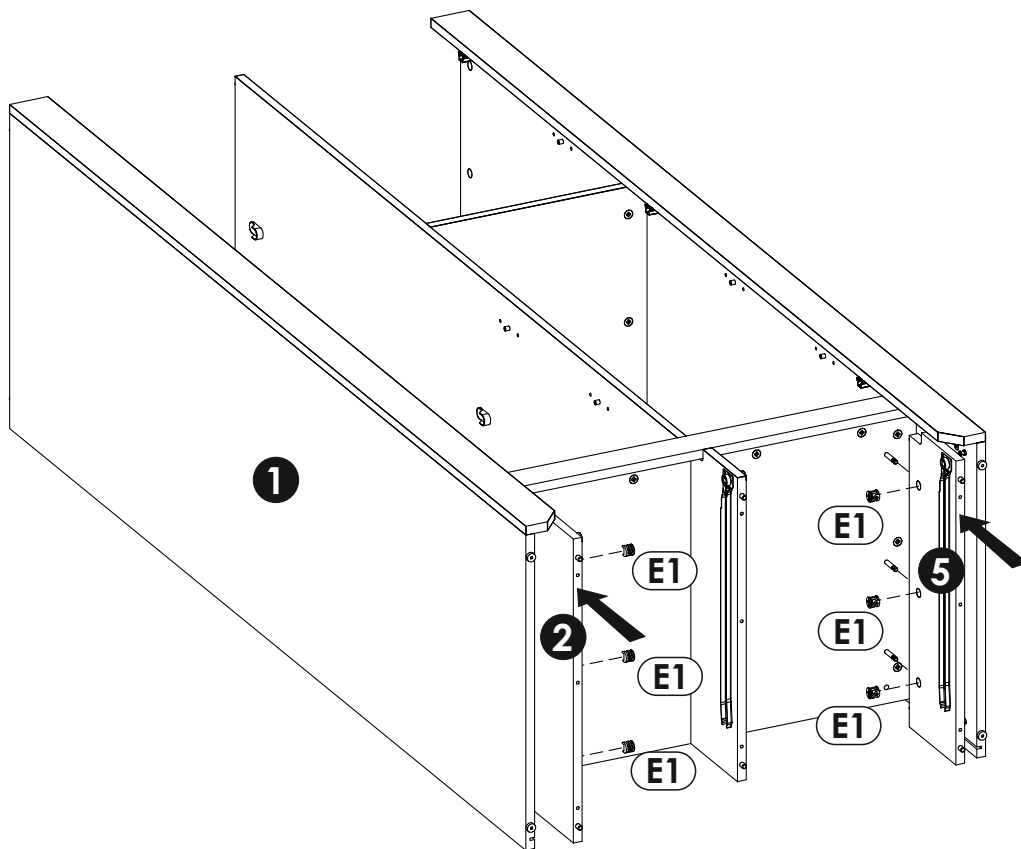
10 ▶



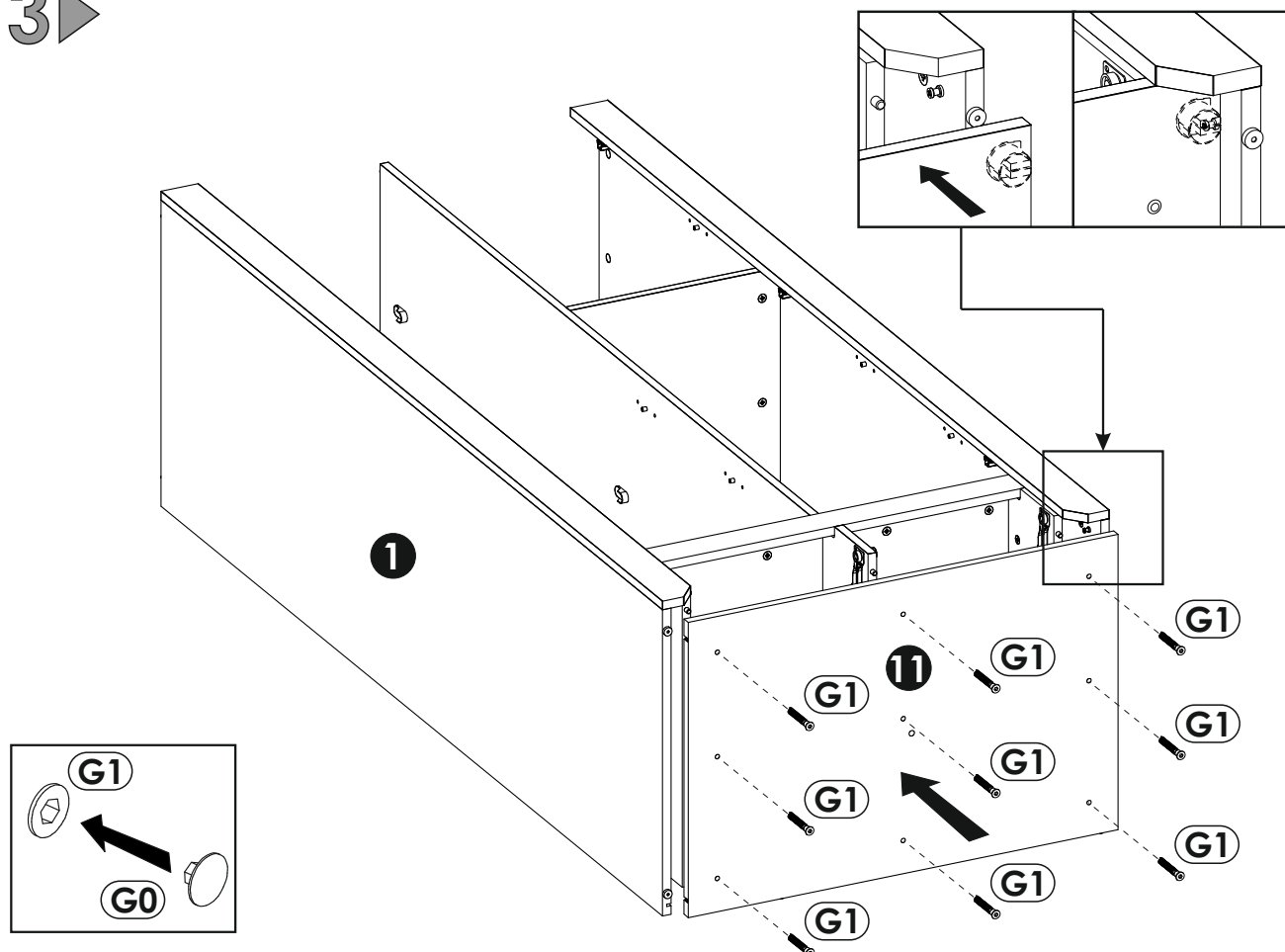
11 ▶



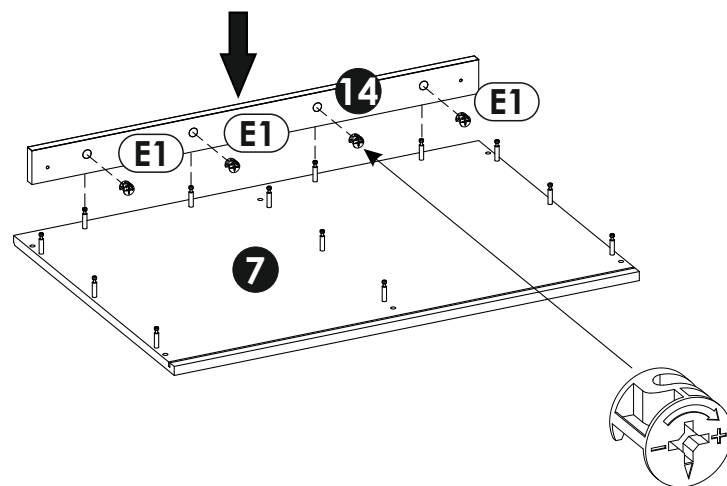
12▶



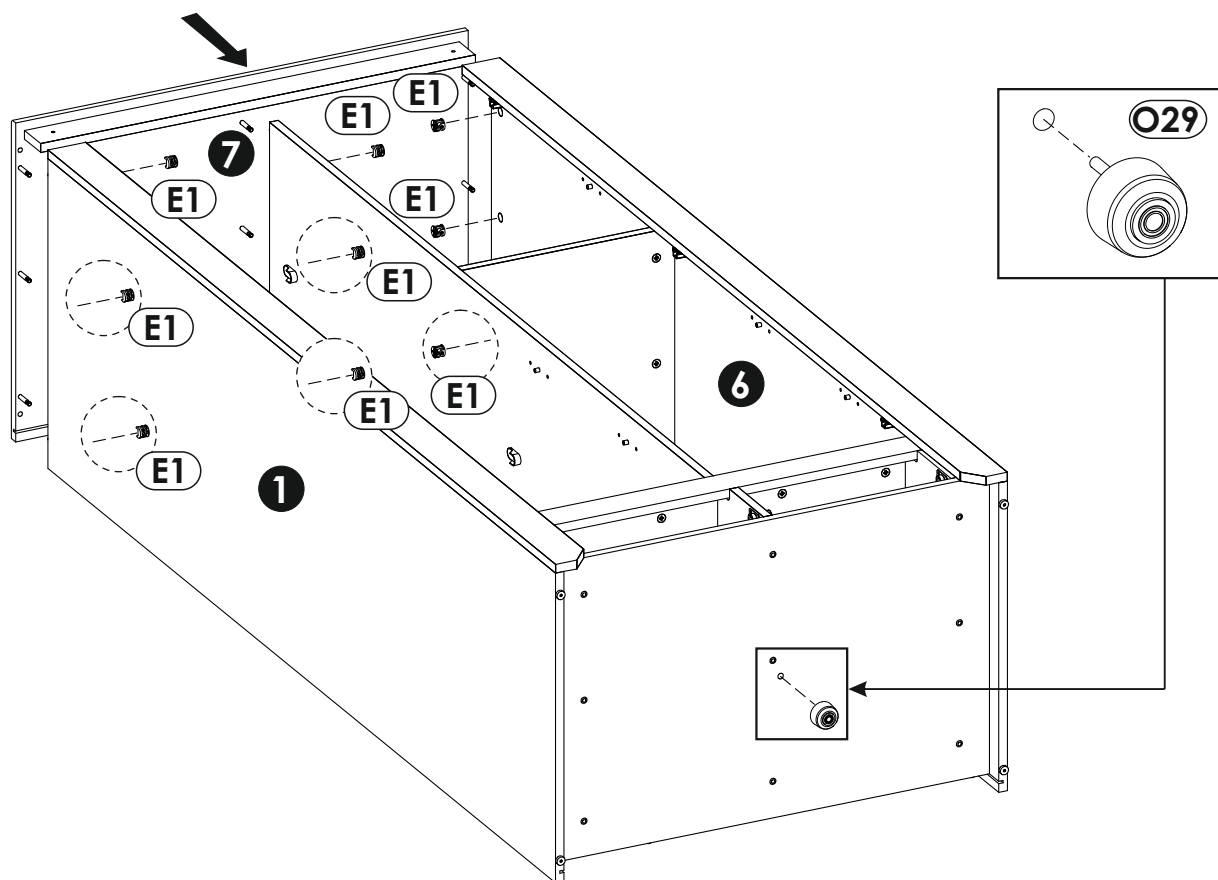
13▶



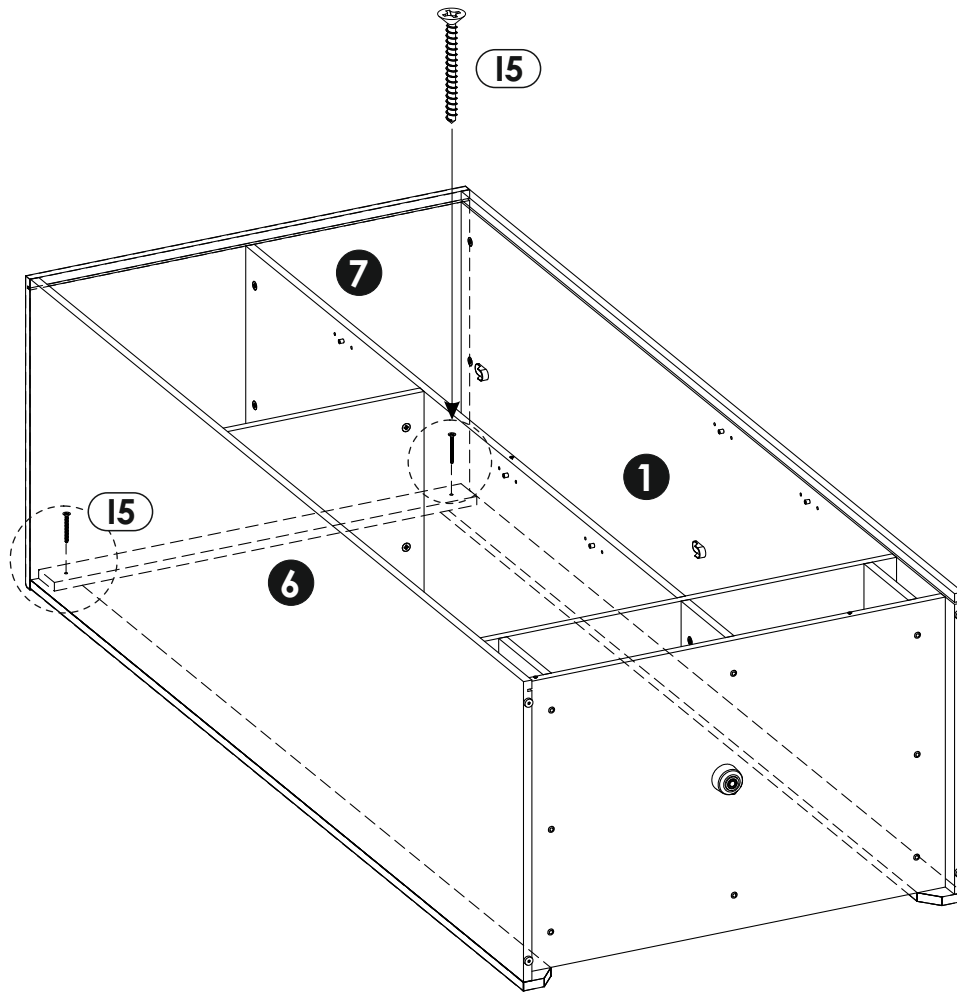
14▶



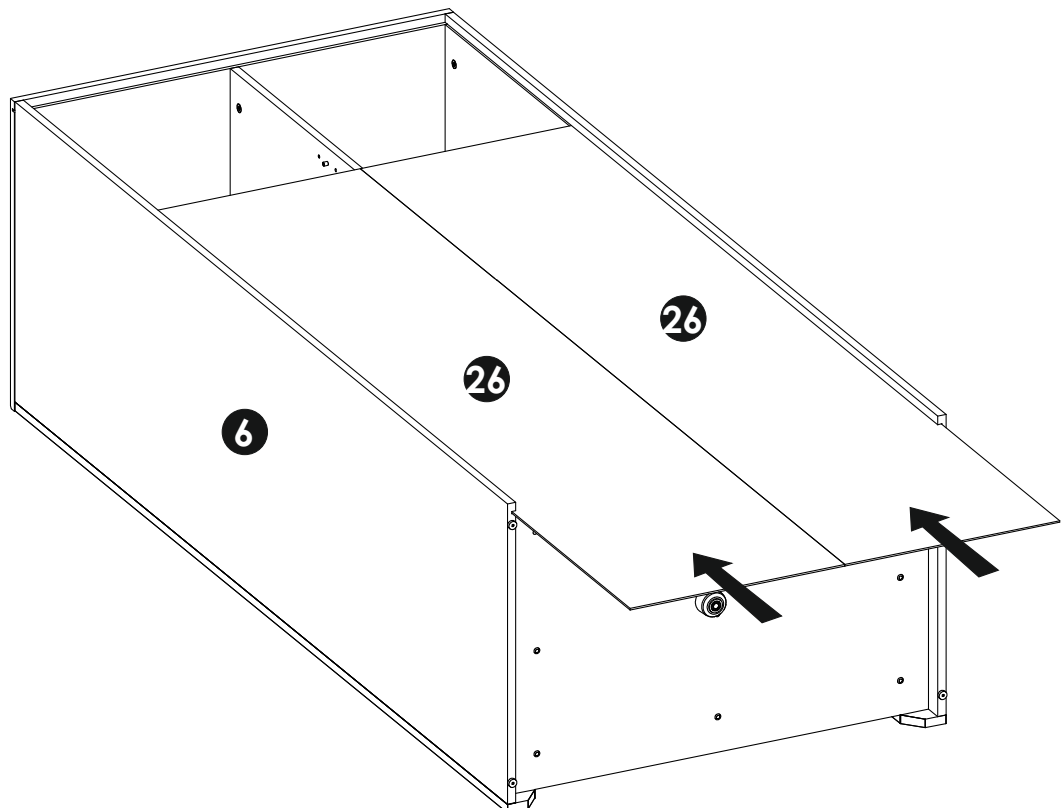
15▶

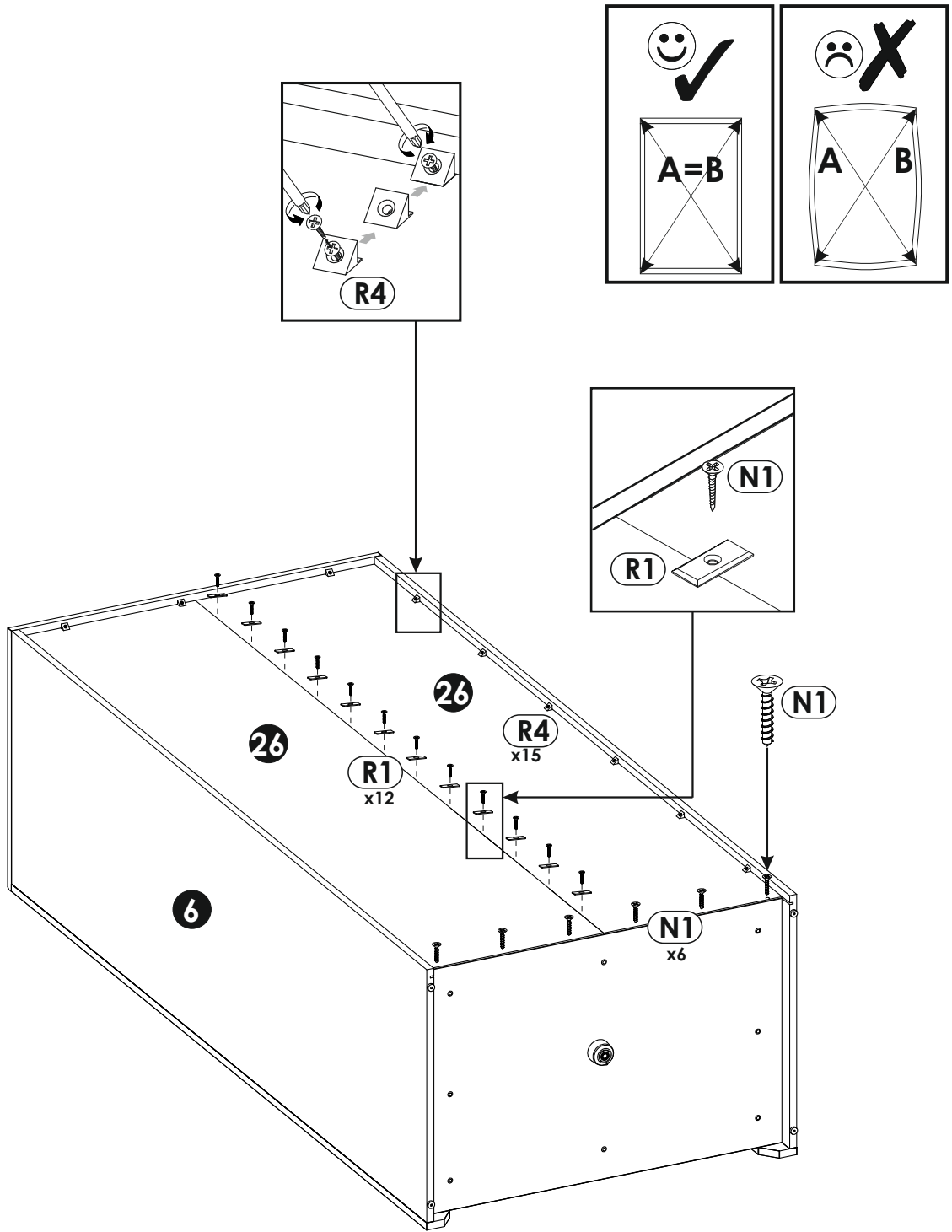


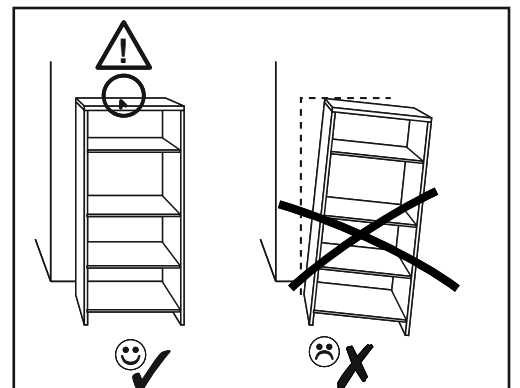
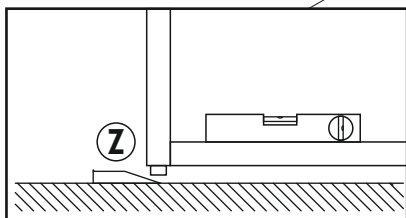
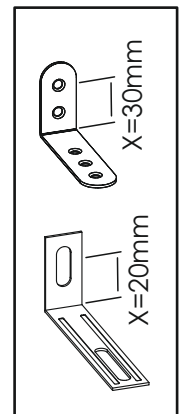
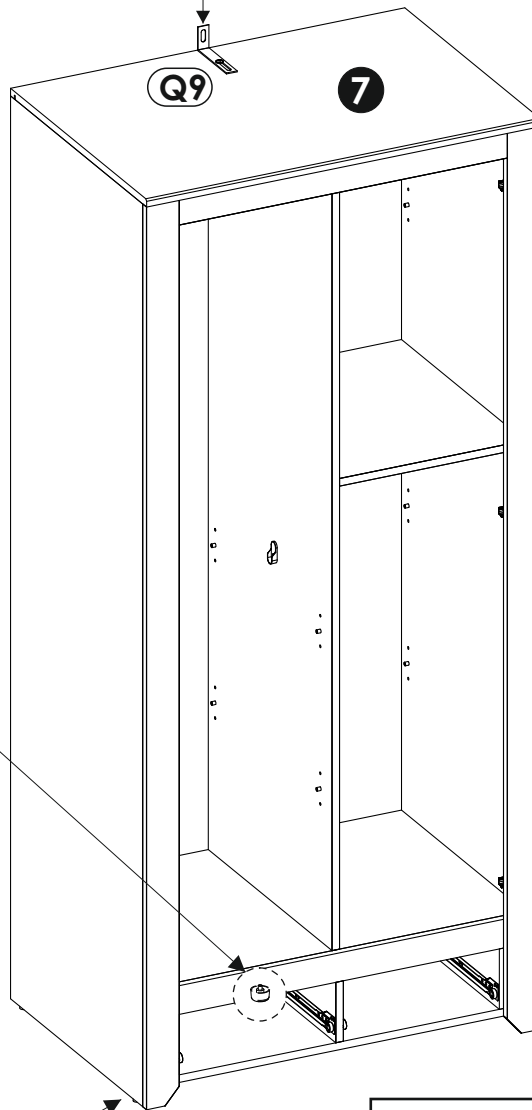
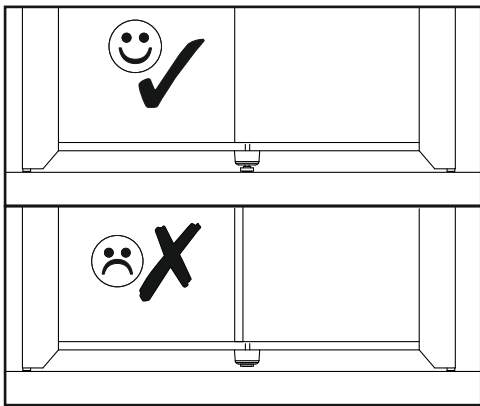
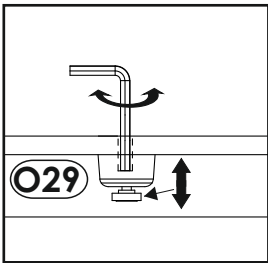
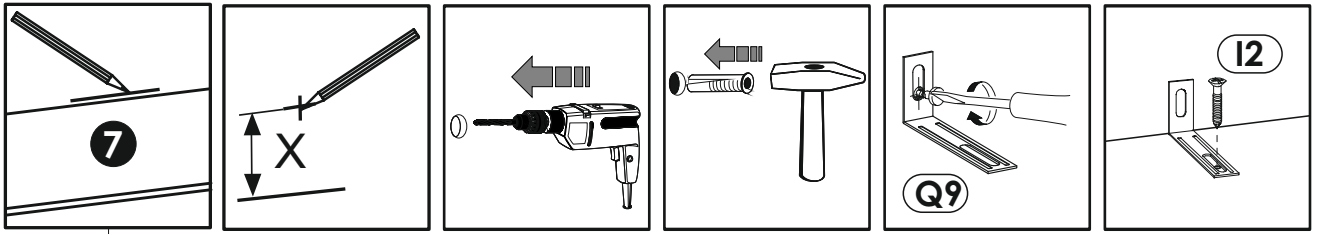
16 ▶



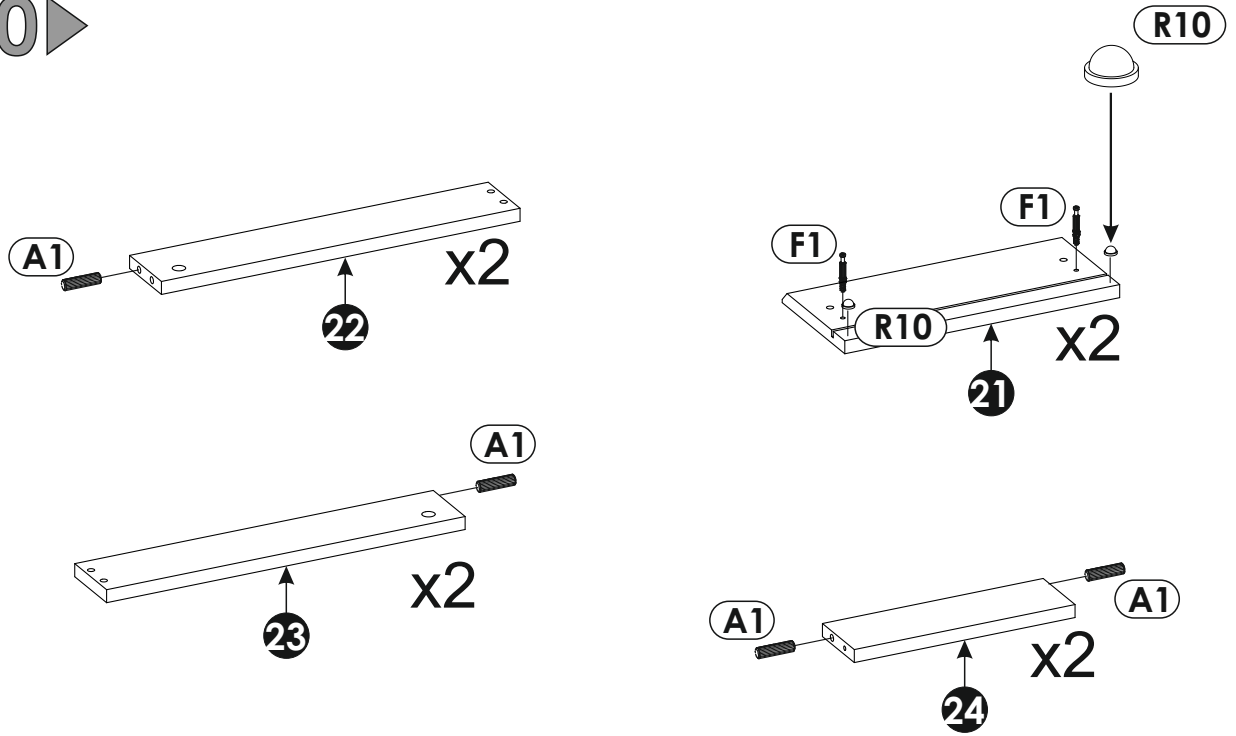
17 ▶



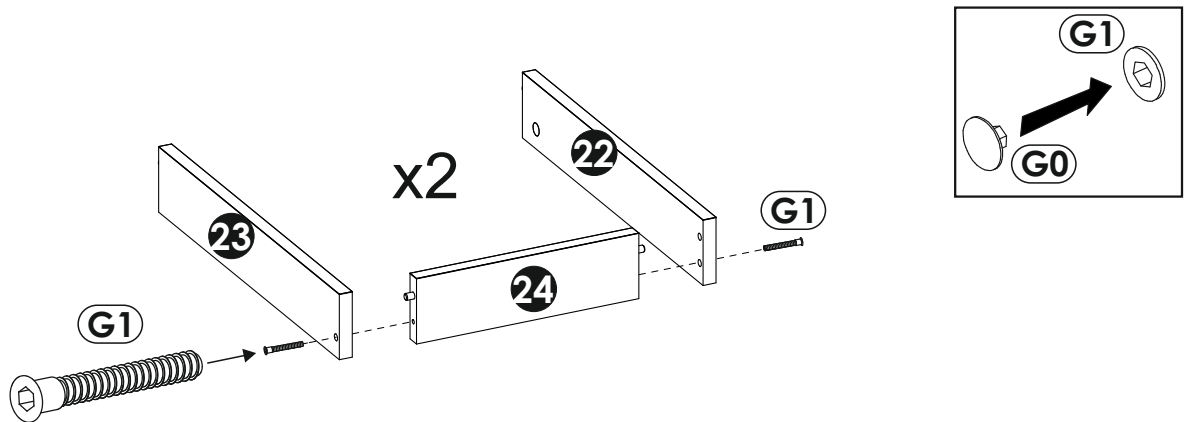




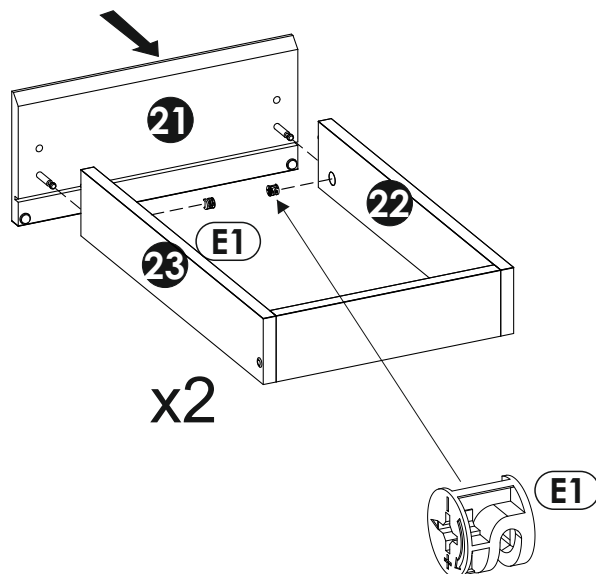
20 ▶



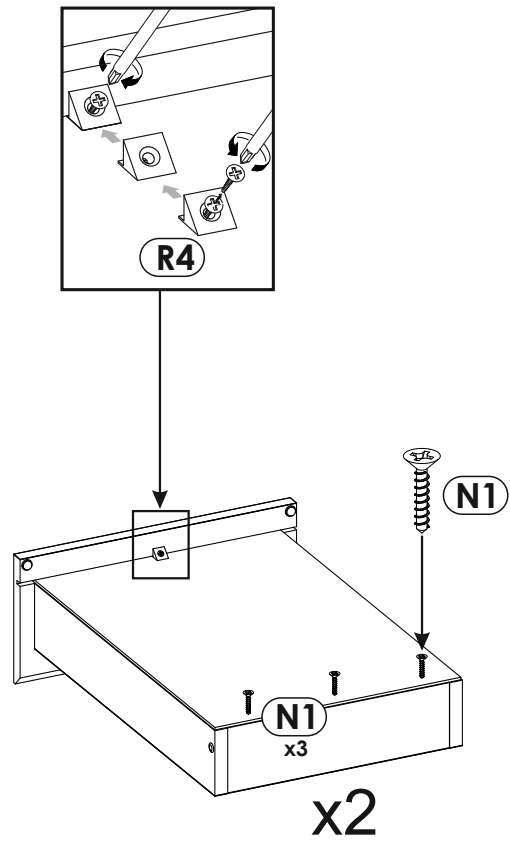
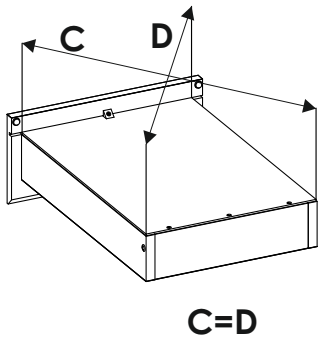
21 ▶



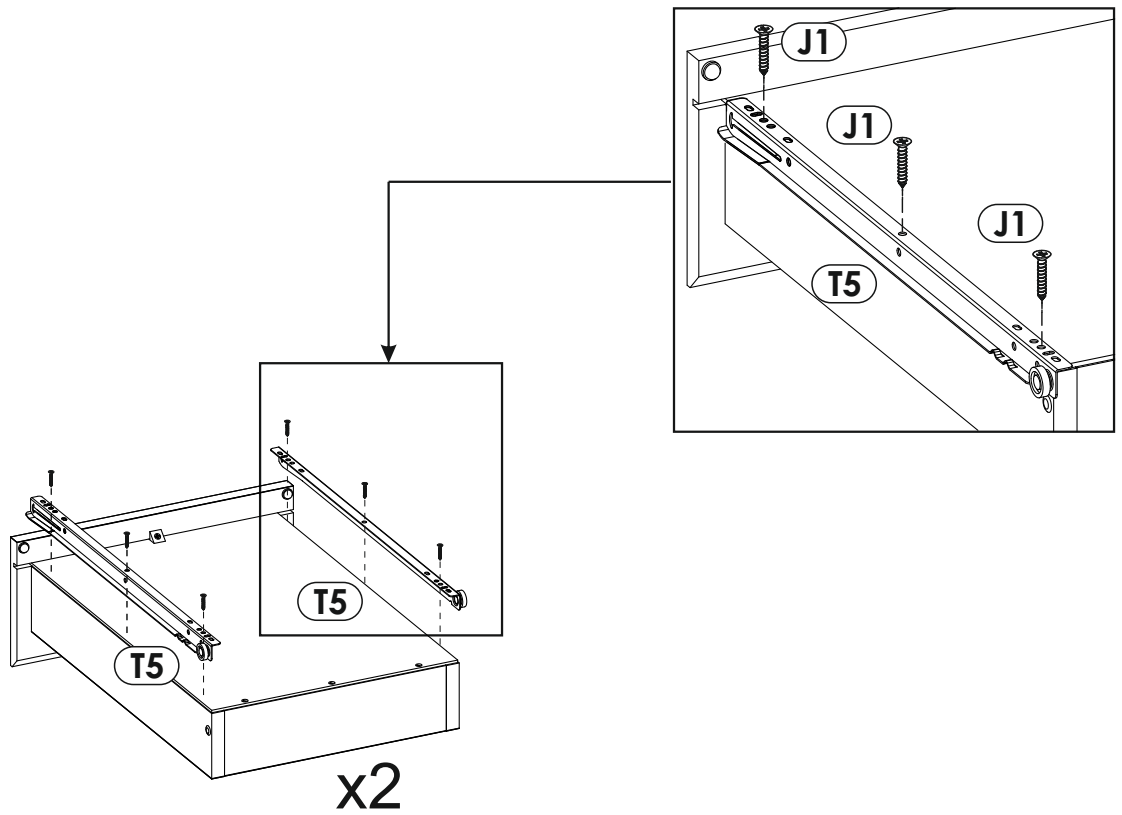
22 ▶

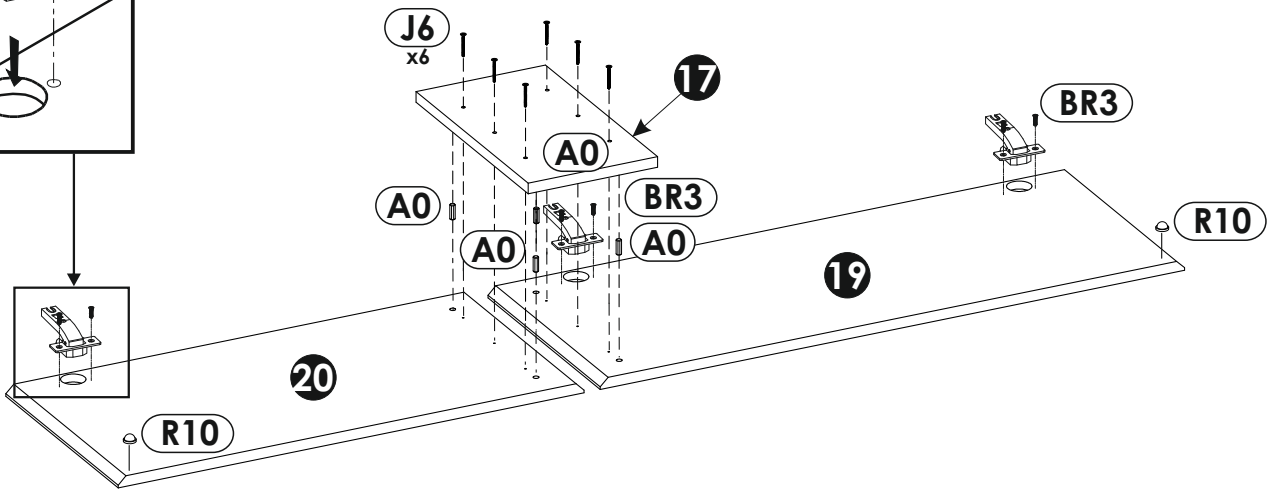
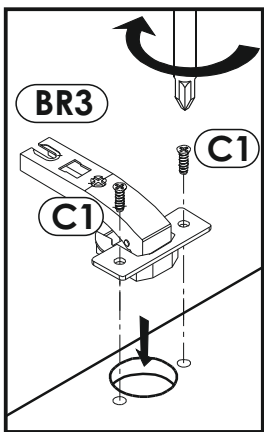
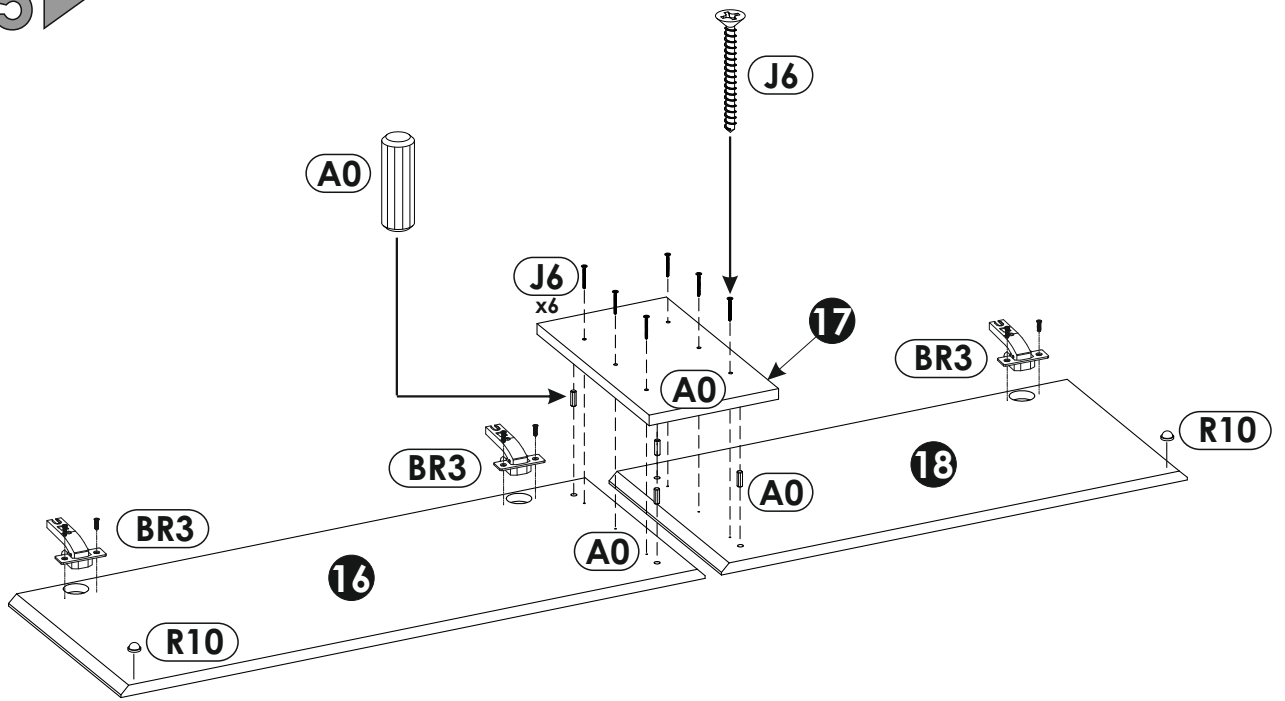


23 ▶



24 ▶





26 ▶

