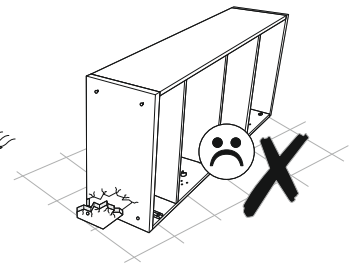
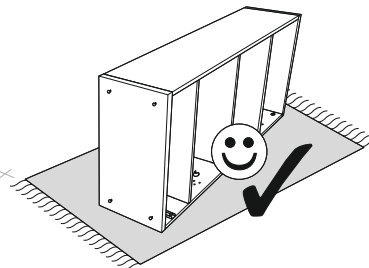
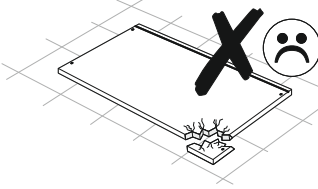
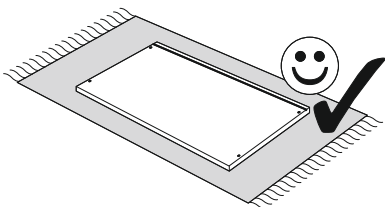
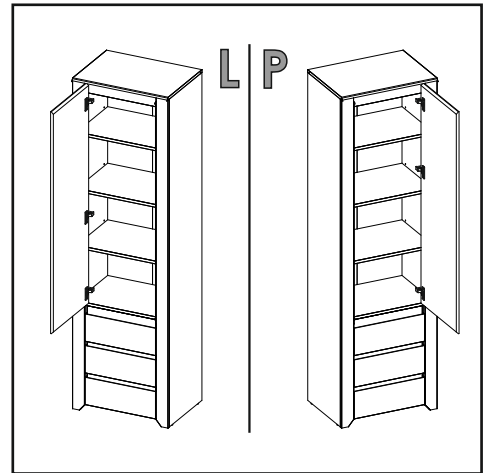
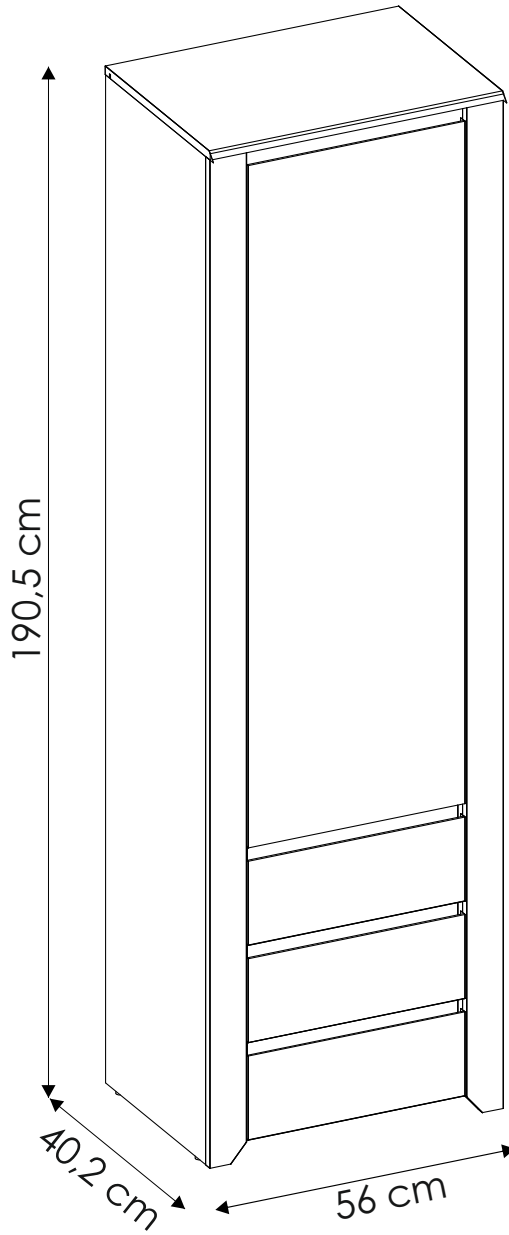
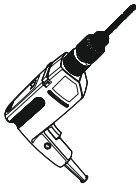
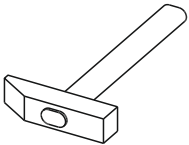
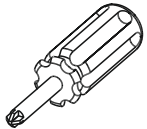
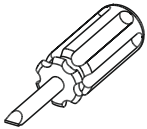
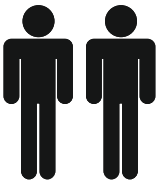
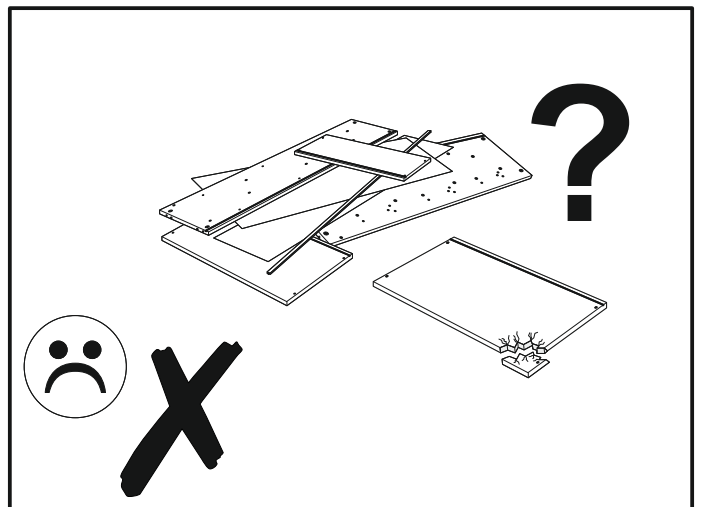
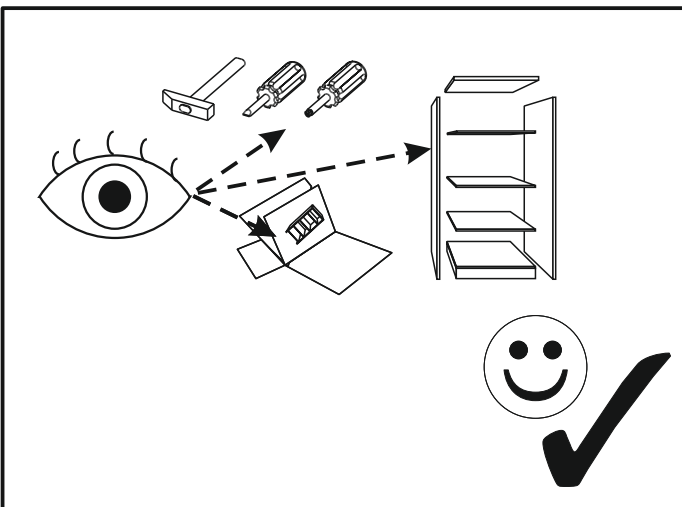
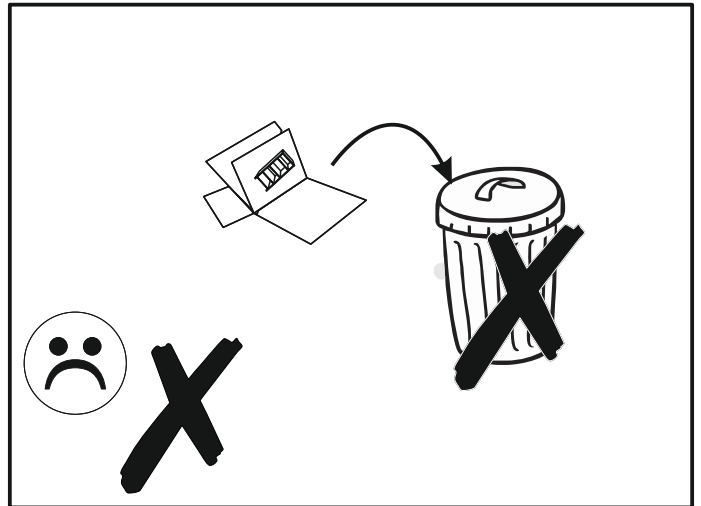
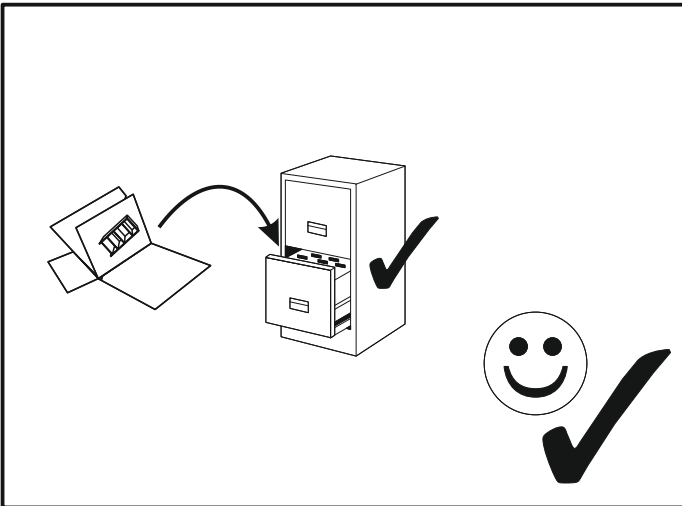
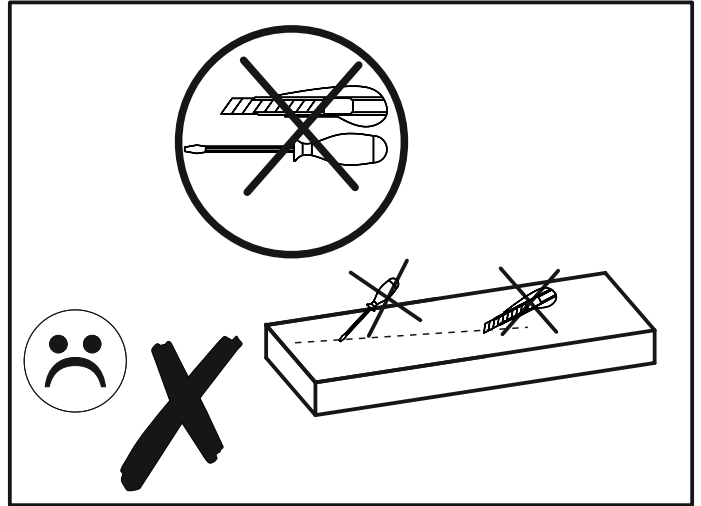
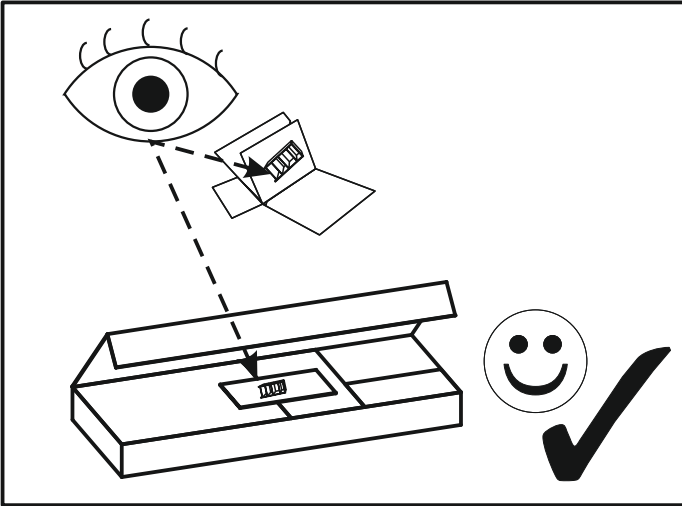
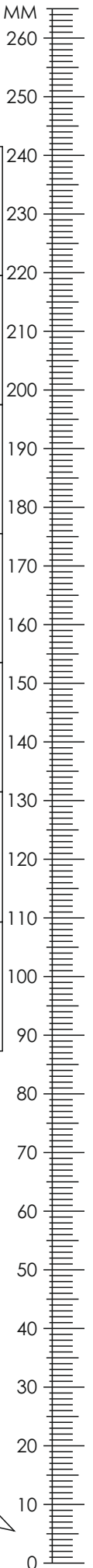



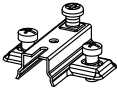
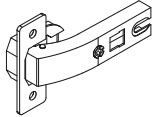


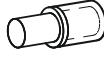










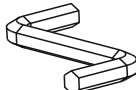

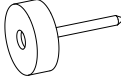


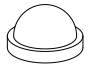
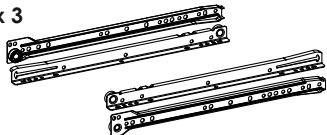
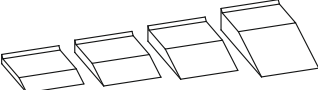
ANGEL 10

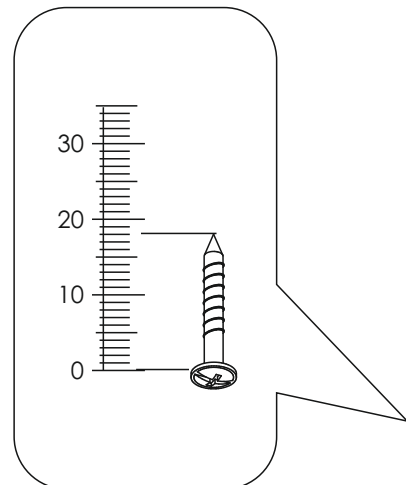




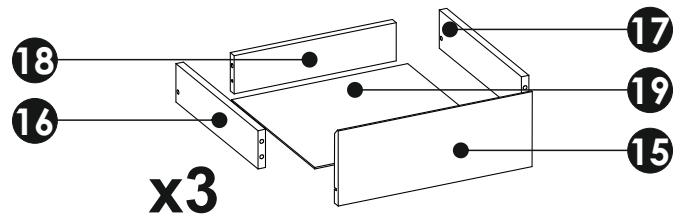
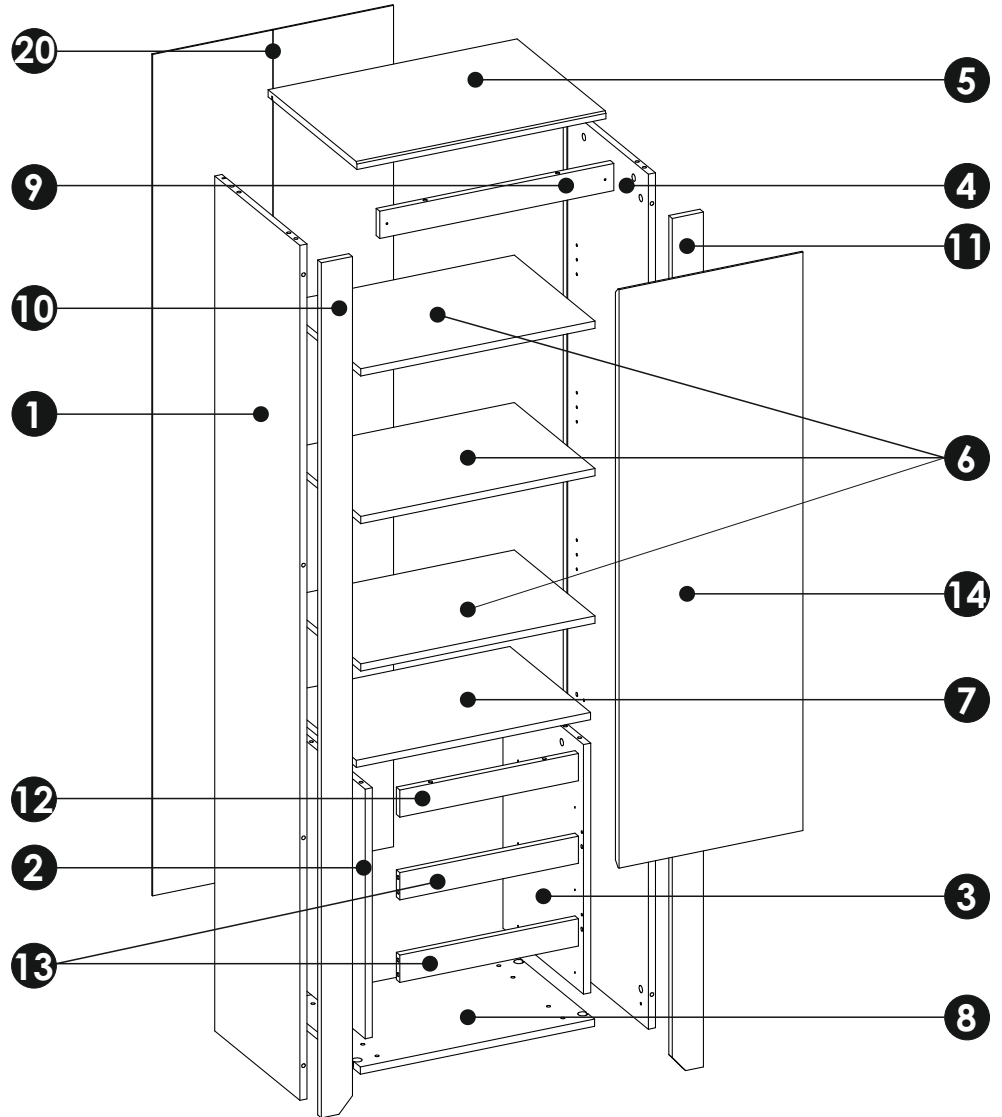
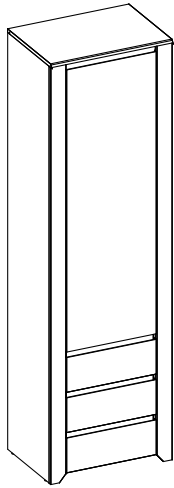
ANGEL 10



A1 x 32 $\varnothing 8 \times 35$ mm 	BR2 x 3 	BR3 x 3 
C1 x 6 4 x 13 mm 	C2 x 12 5 x 13 mm 	D2 x 12 
E0 x 34 	E1 x 34 $\varnothing 15 \times 12$ mm 	E2 x 4 
F1 x 34 	F2 x 4 	G0 x 10 
G1 x 10 $\varnothing 7 \times 50$ mm 	I2 x 1 4 x 16 mm 	I5 x 2 3,5 x 30mm 
J1 x 18 3 x 20mm 	M x 1 	N1 x 30 3 x 16 mm 
O2 x 4 	Q9 x 1 	R4 x 17 
R10 x 8 	T3 x 3 	
Z x 1 		



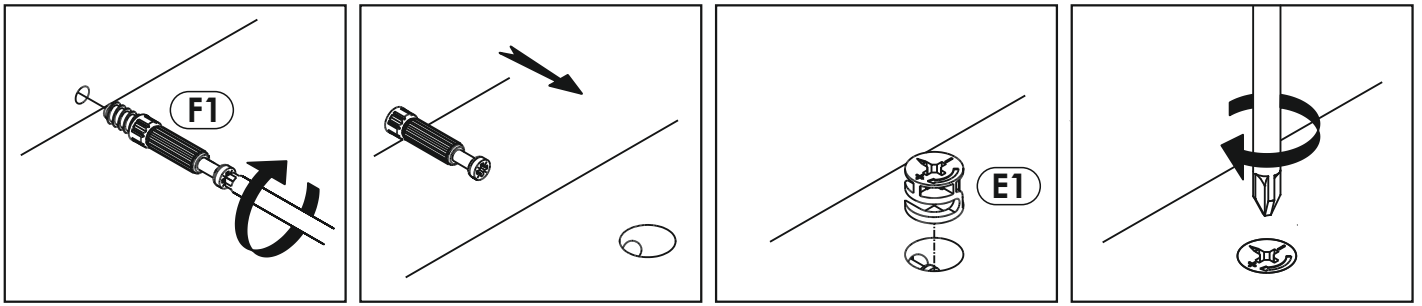
ANGEL 10



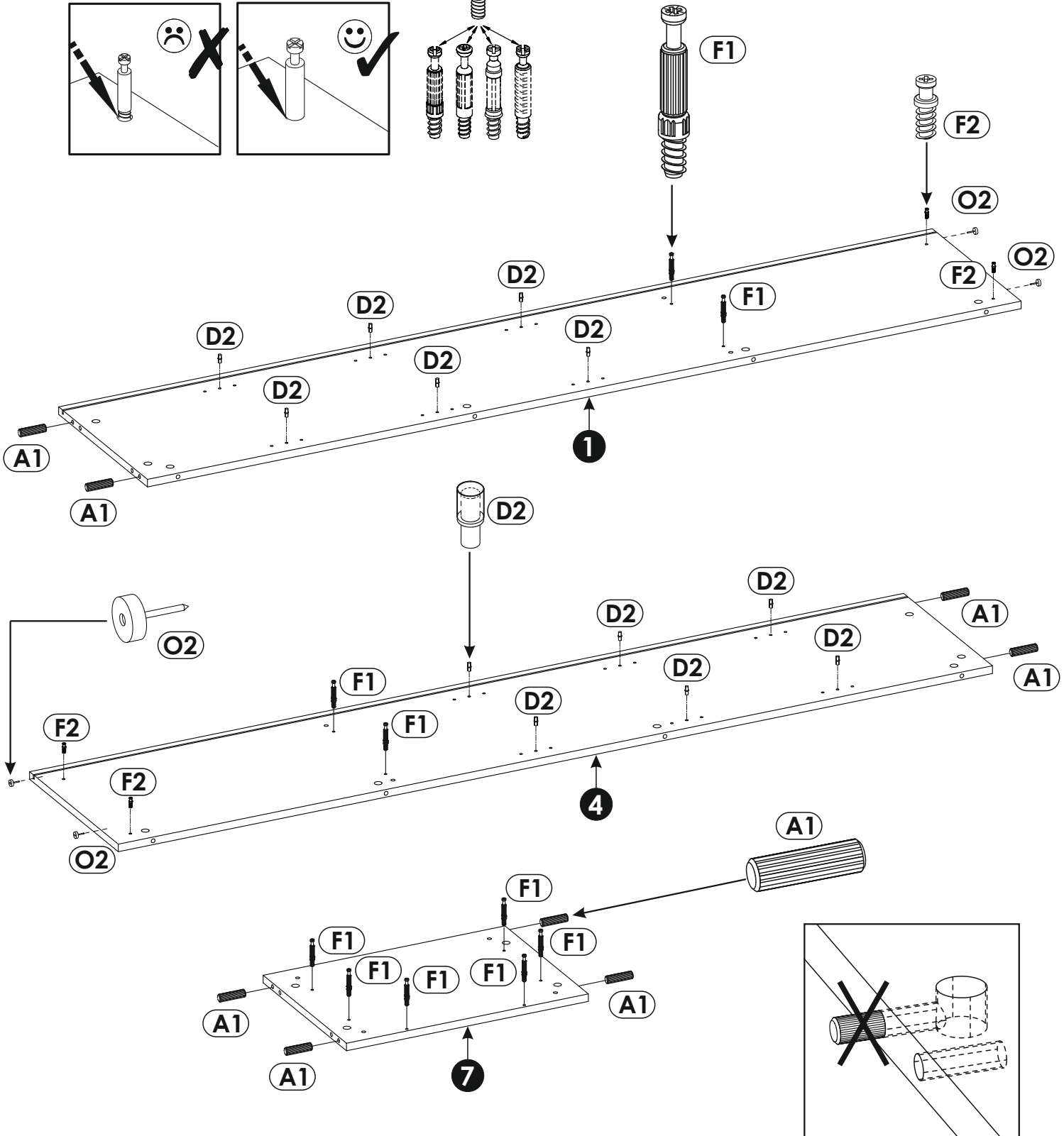
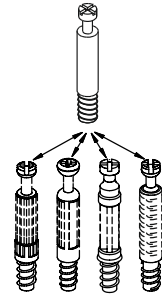
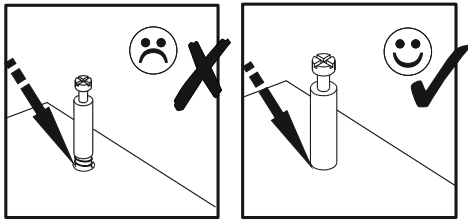
1	1884	383	16	x1	2/2
2	550	363	16	x1	1/2
3	550	363	16	x1	1/2
4	1884	383	16	x1	2/2
5	560	402	16	x1	1/2
6	527	363	16	x3	1/2
7	527	363	16	x1	1/2

8	527	363	16	x1	1/2
9	527	60	16	x1	1/2
10	1884	70	16	x1	2/2
11	1884	70	16	x1	2/2
12	402	60	16	x1	1/2
13	402	60	16	x2	1/2
14	1275	414	16	x1	2/2

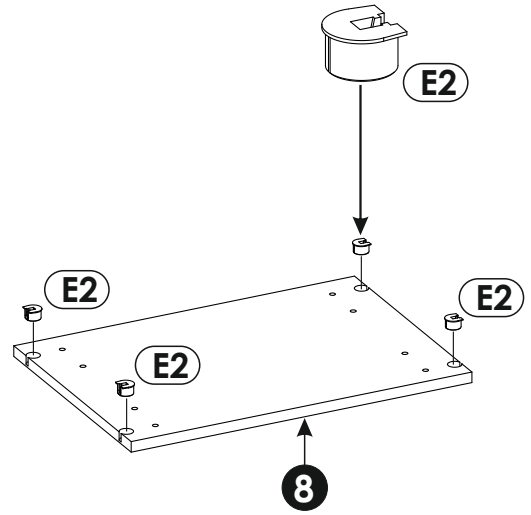
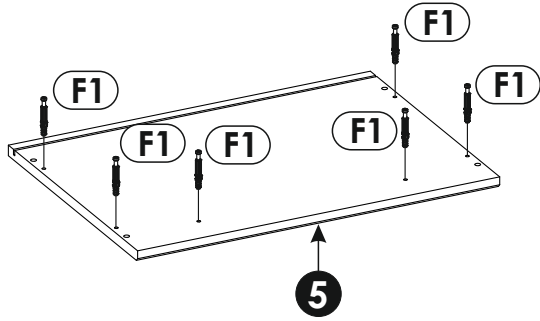
15	414	157	16	x3	2/2
16	350	80	16	x3	2/2
17	350	80	16	x3	2/2
18	346	80	16	x3	2/2
19	376	355	3	x3	1/2
20	1854	542	3	x1	2/2



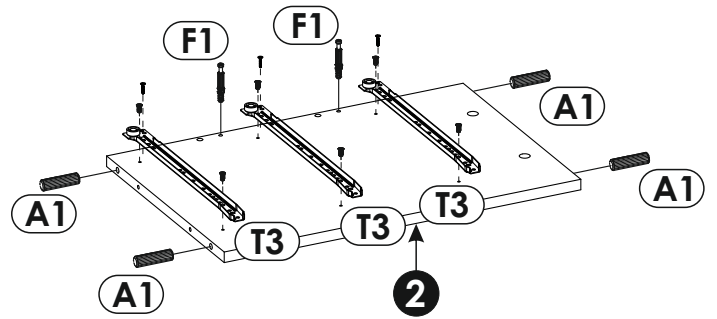
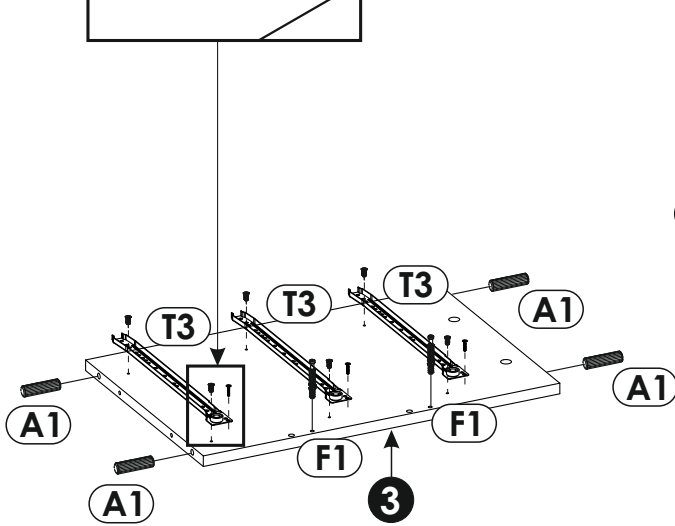
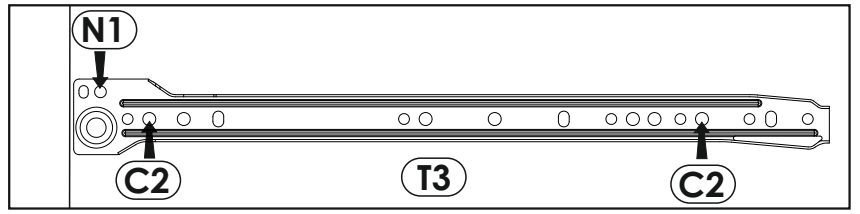
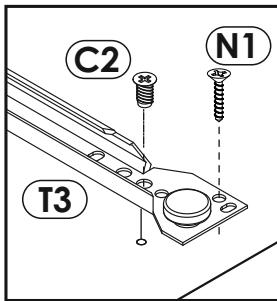
1 ▶



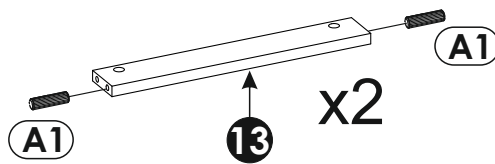
2▶



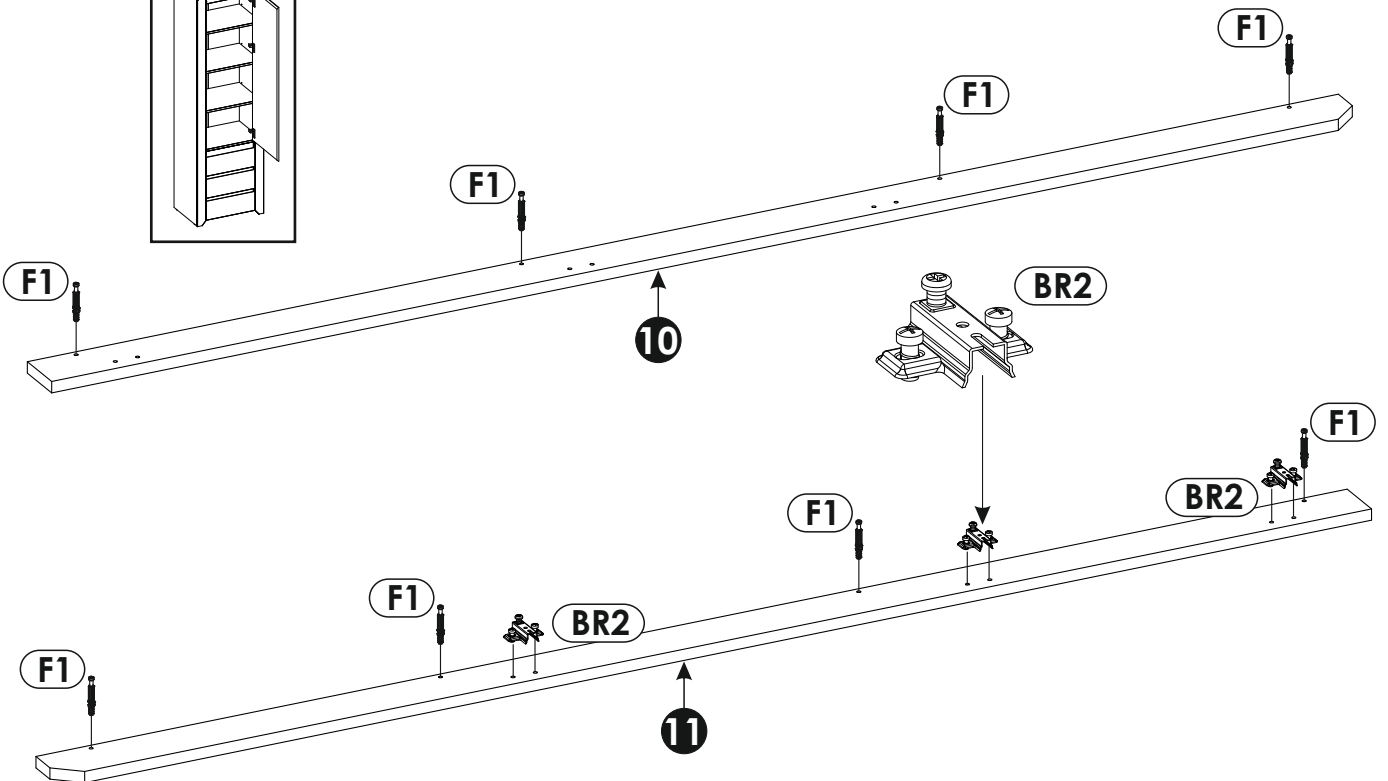
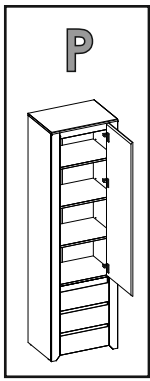
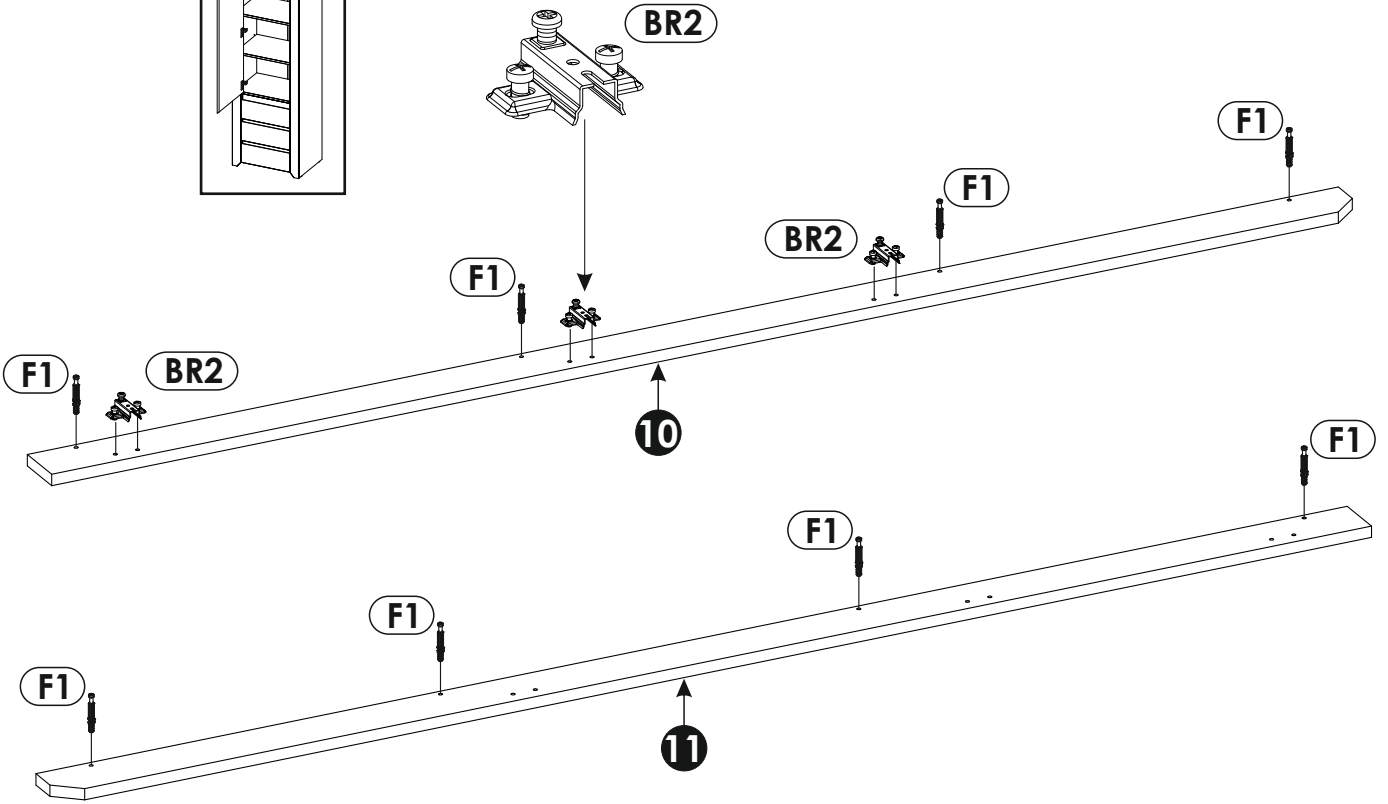
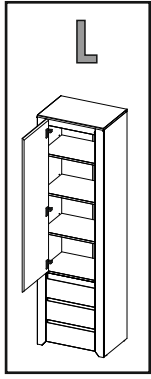
3▶



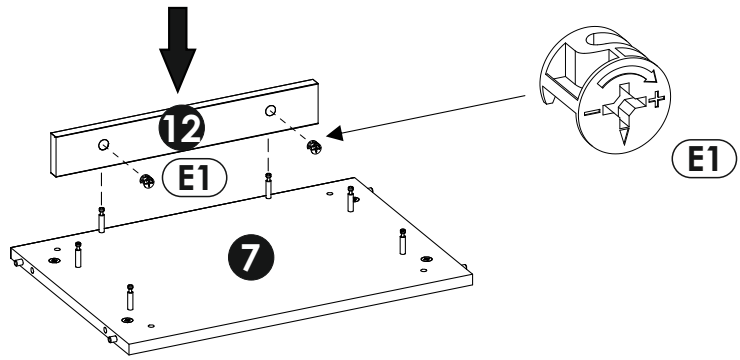
4▶



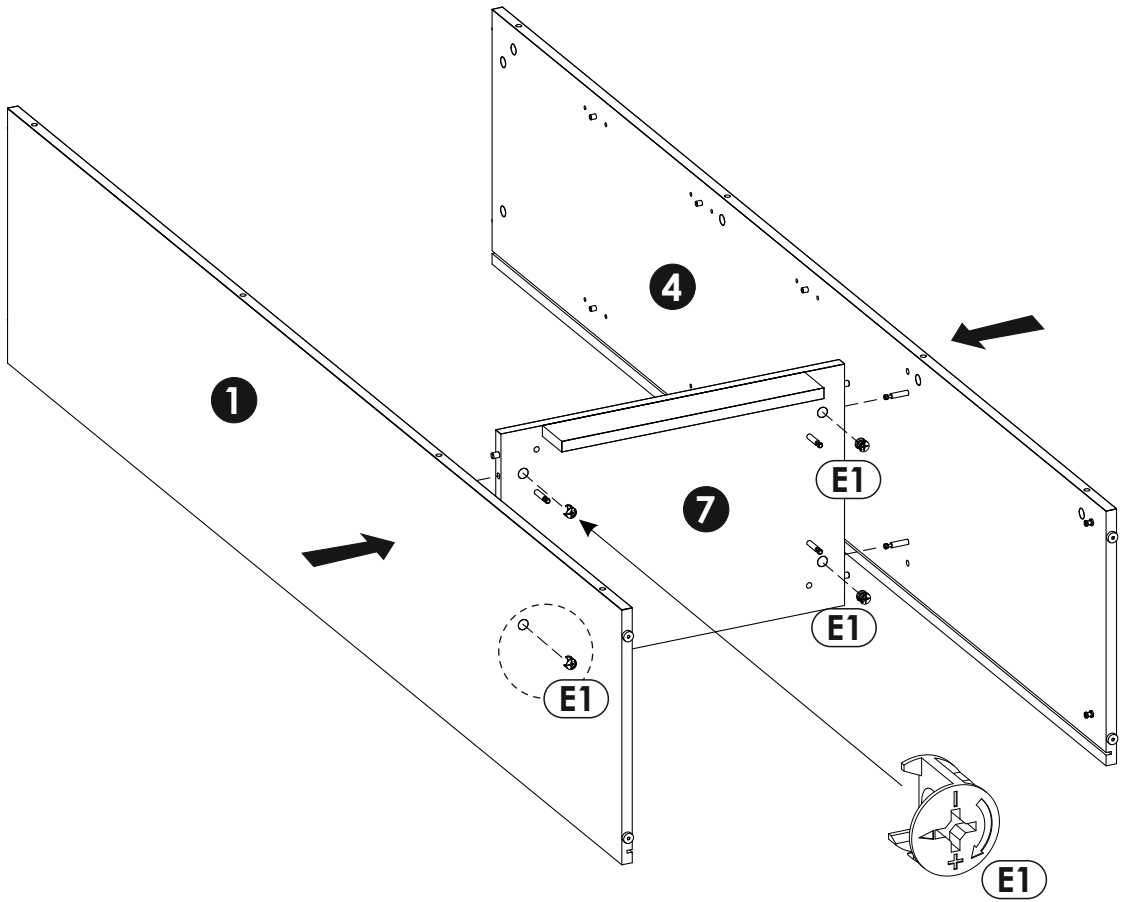
5 ▶



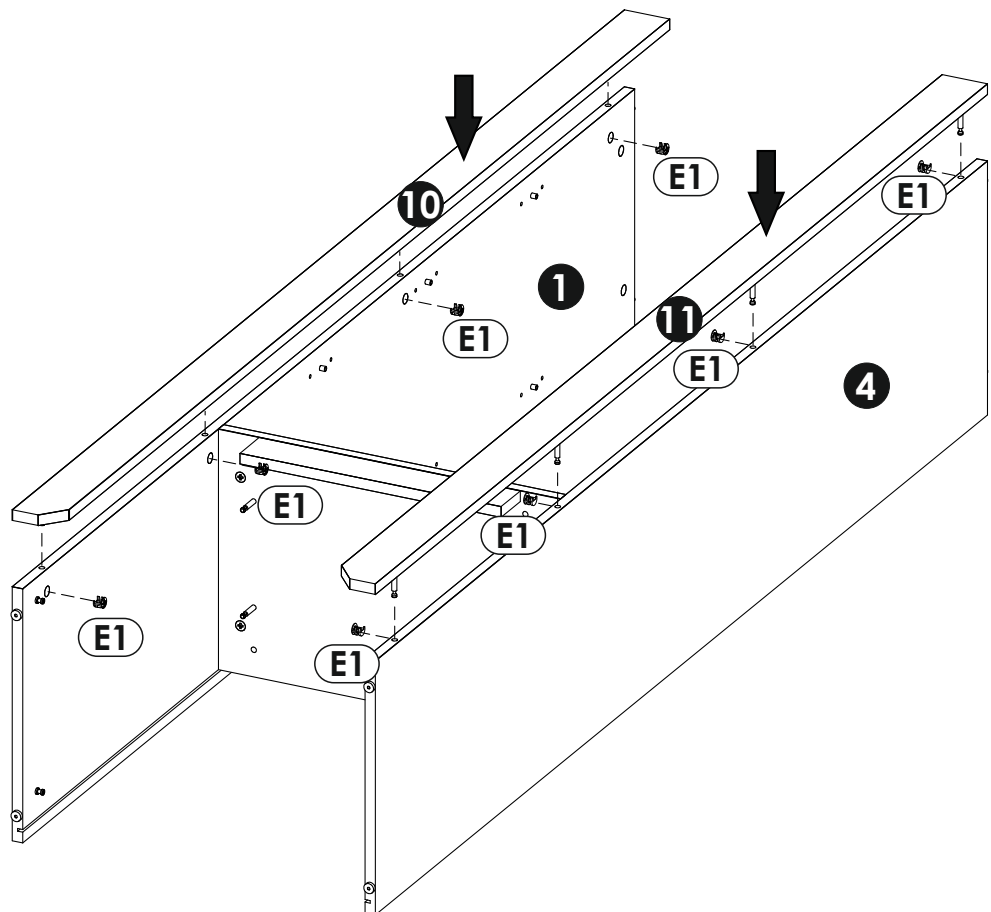
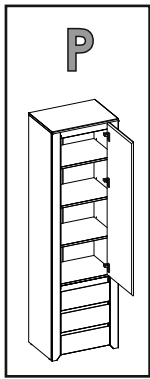
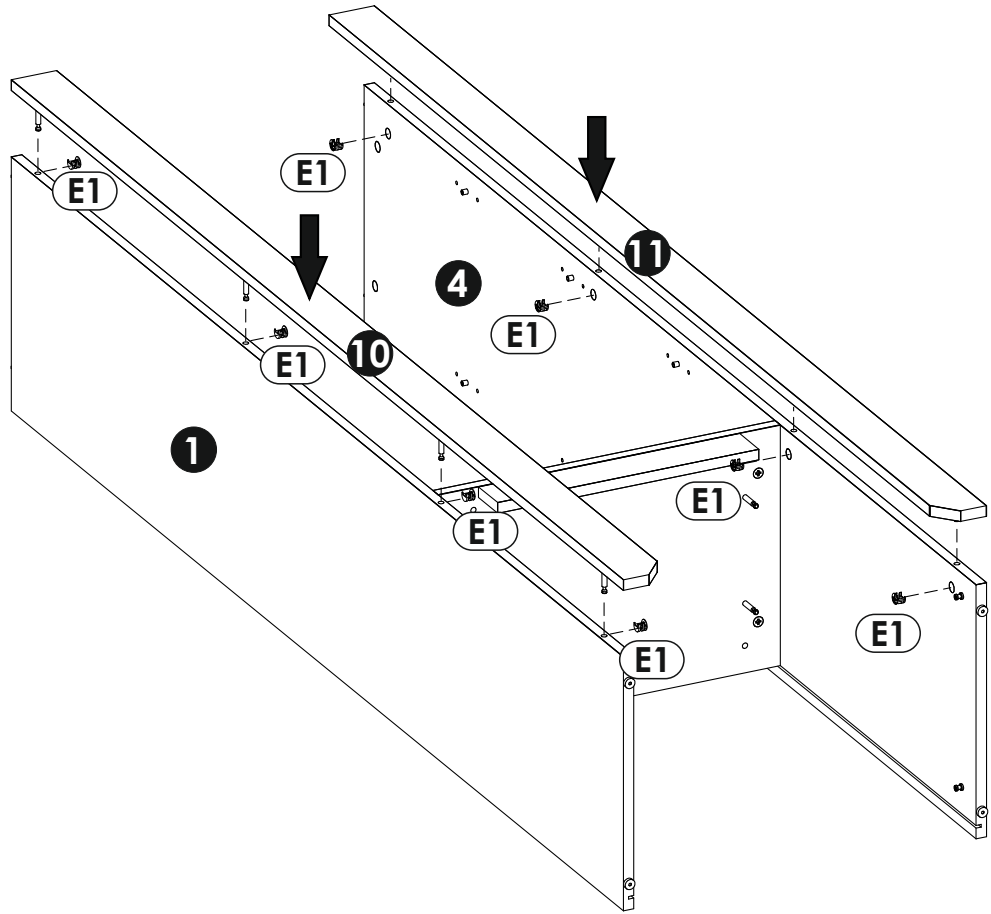
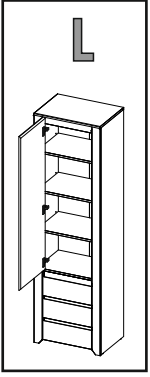
6 ▶



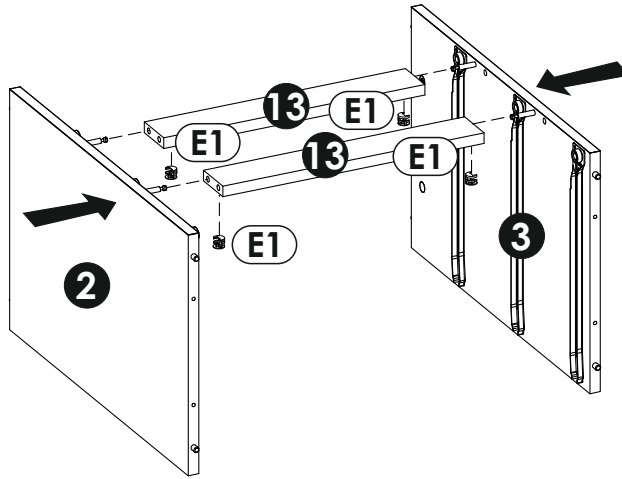
7 ▶



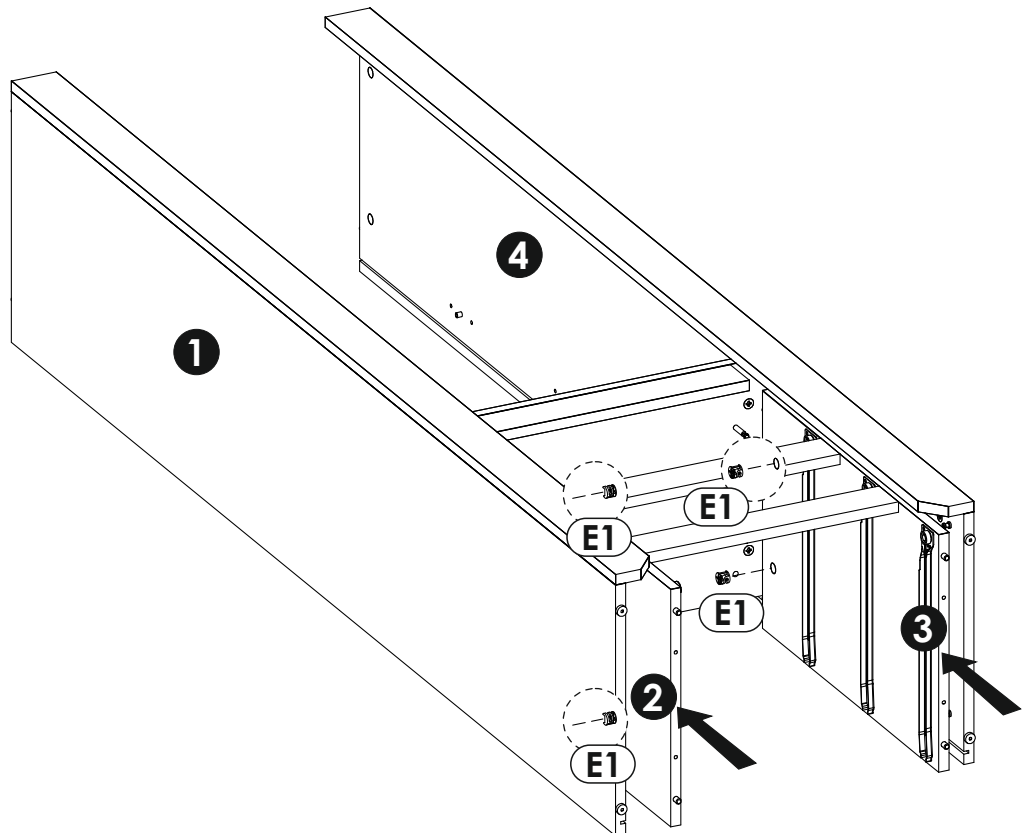
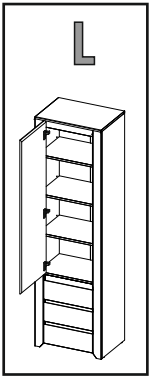
8 ▶

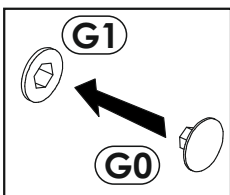
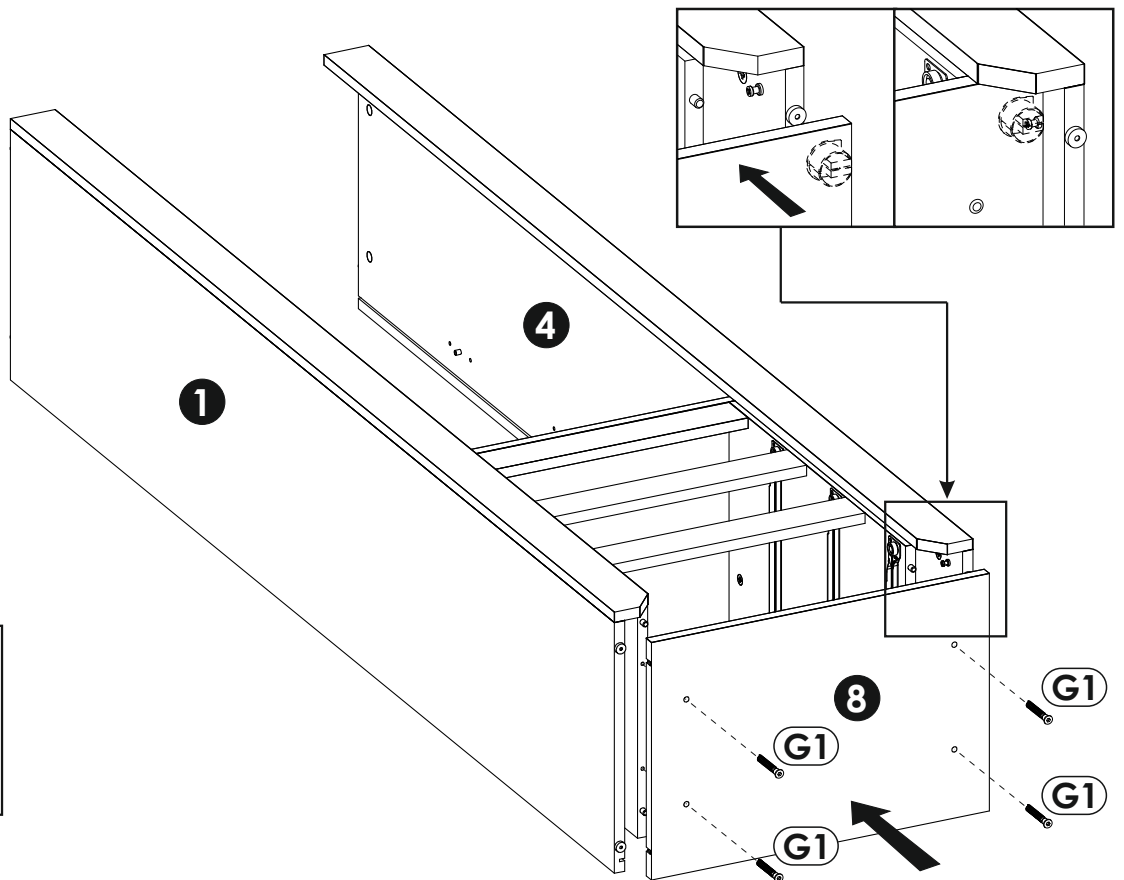
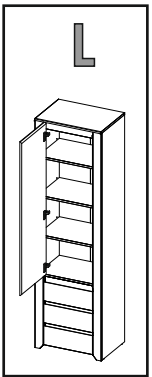
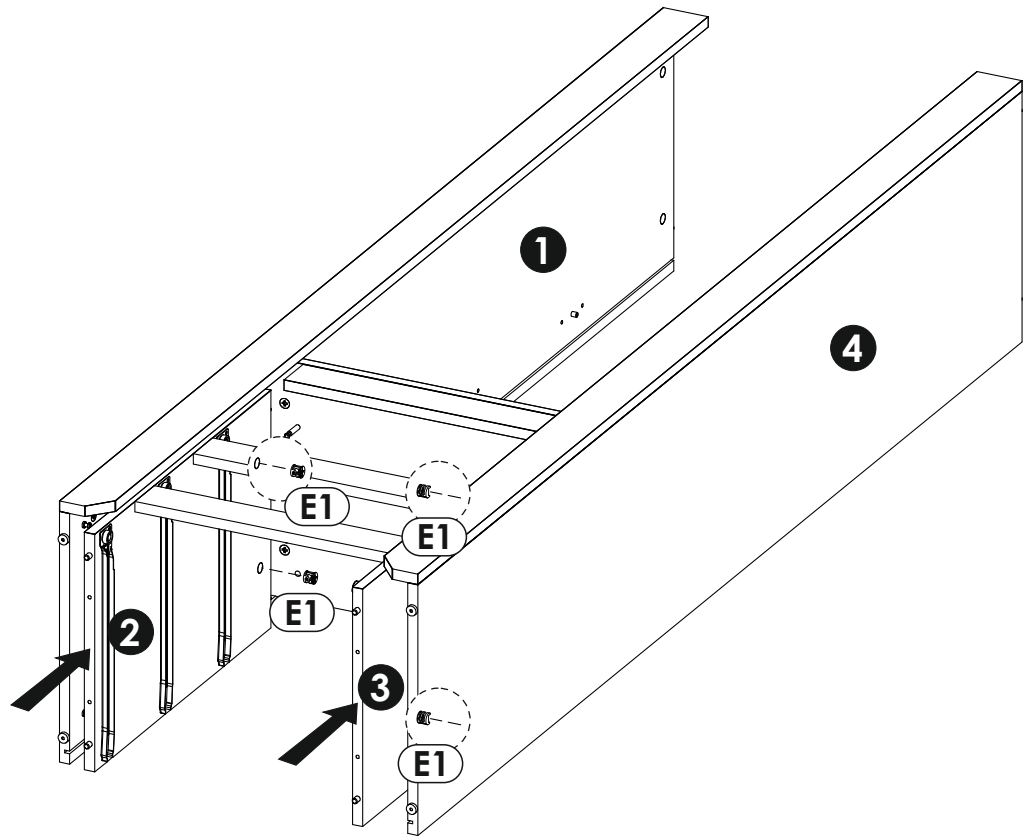
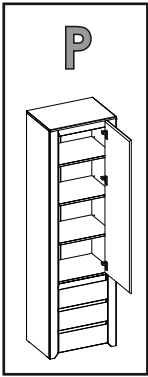


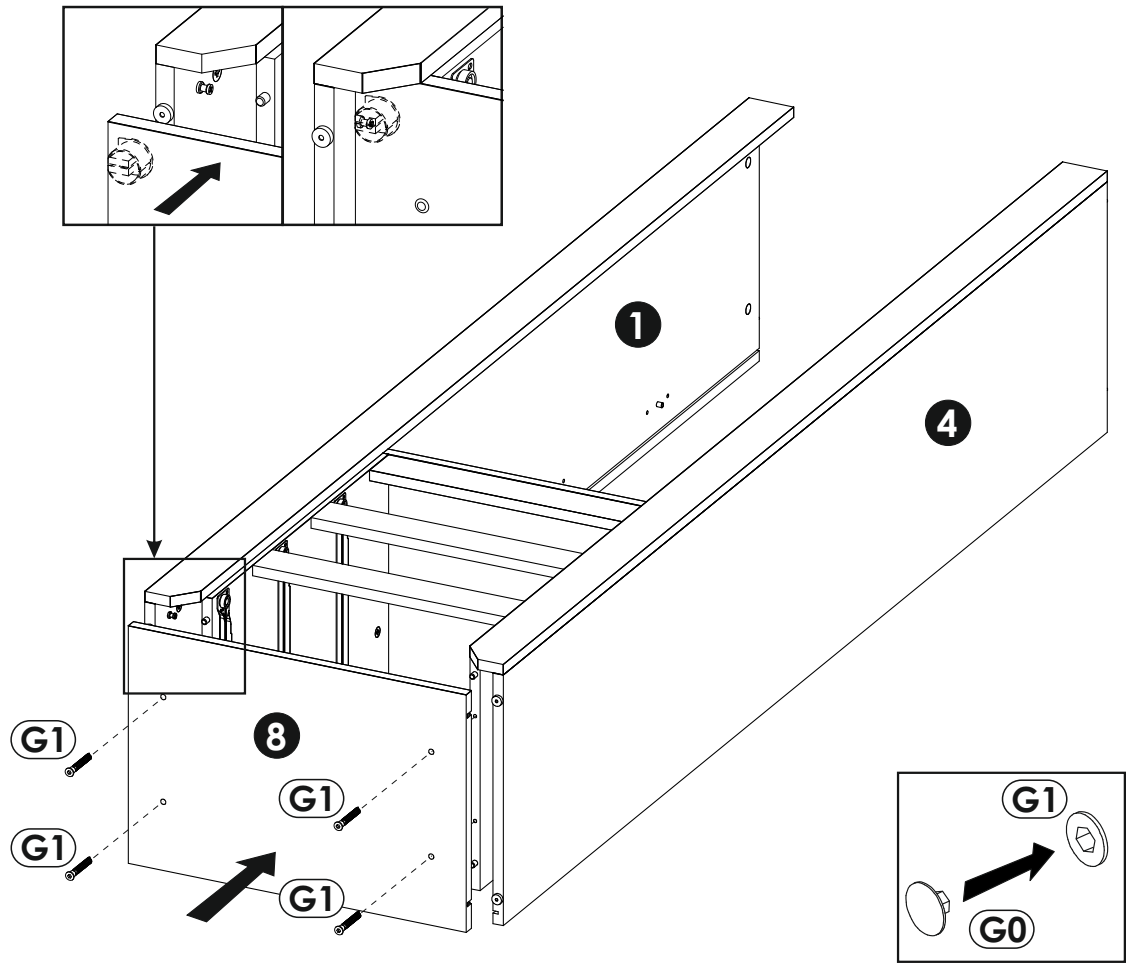
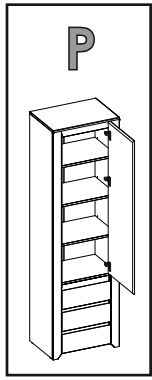
9 ▶



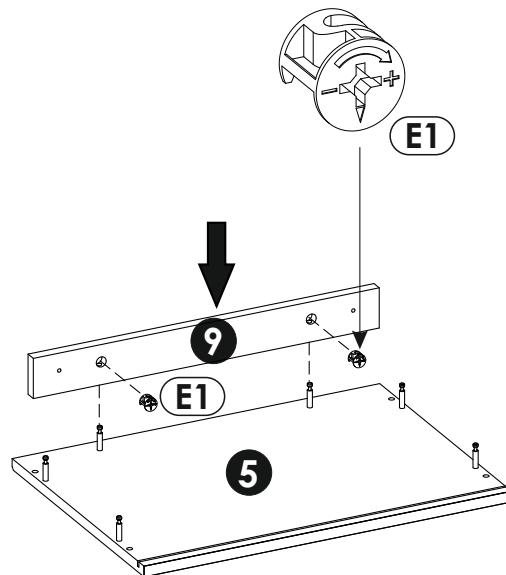
10 ▶



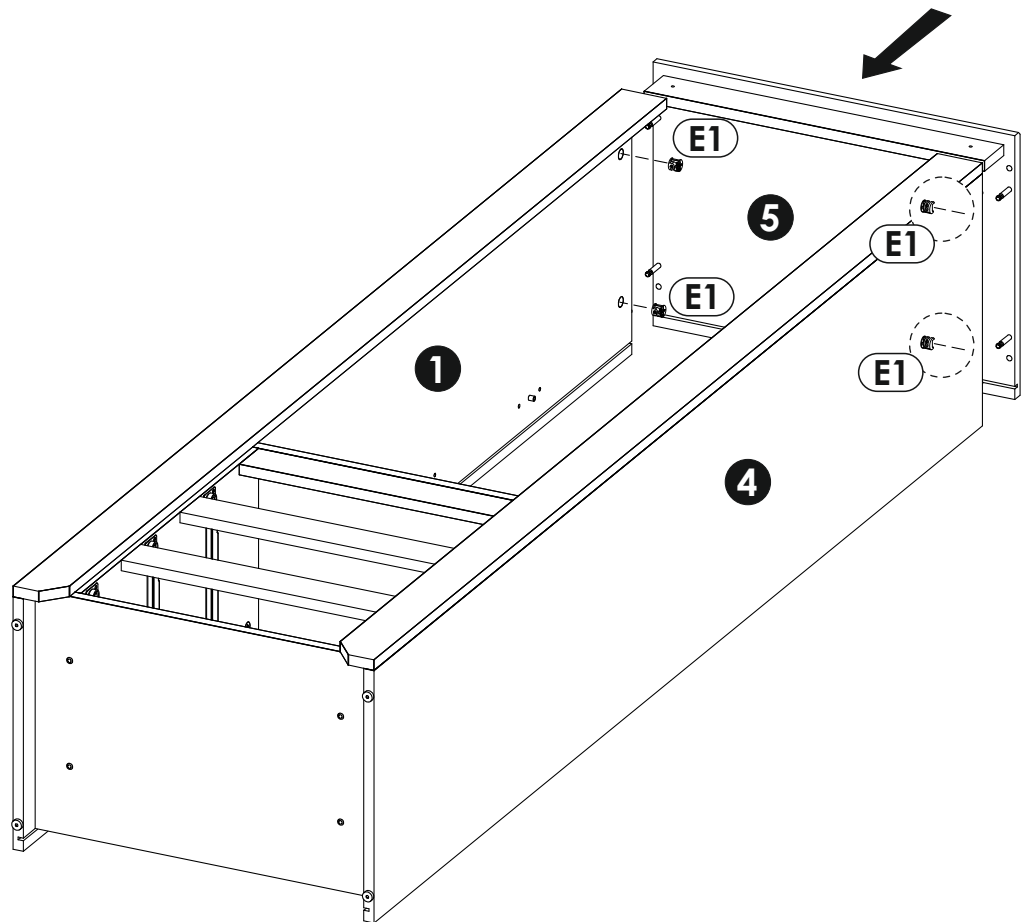
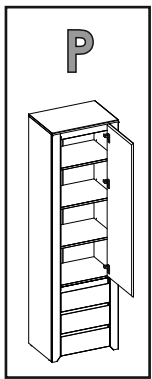
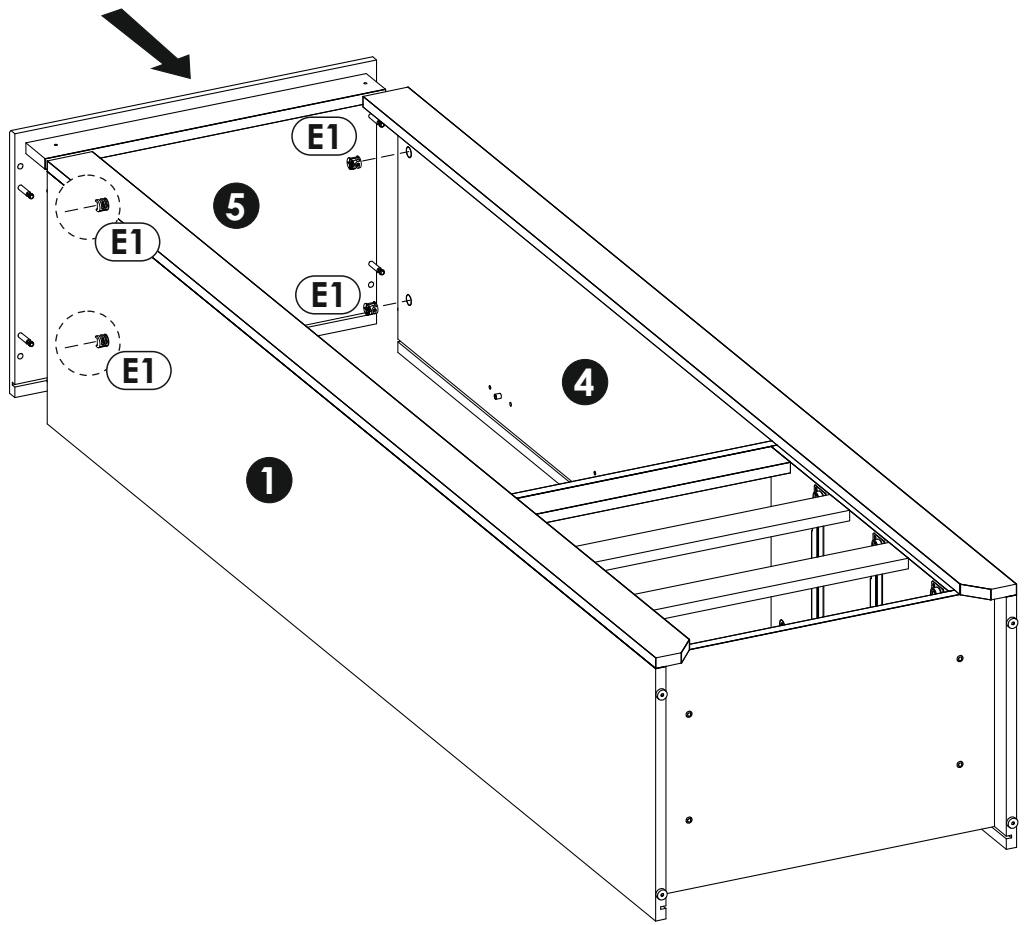
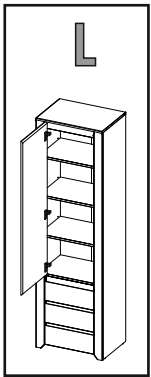




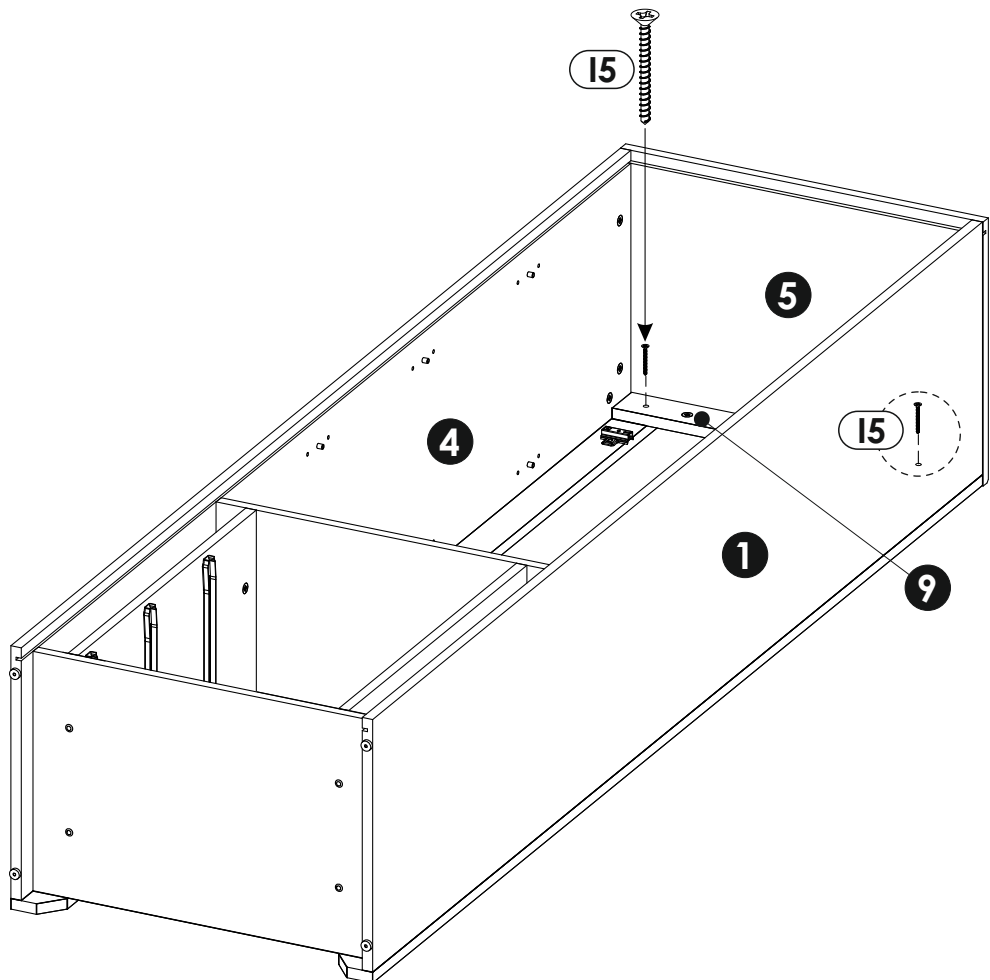
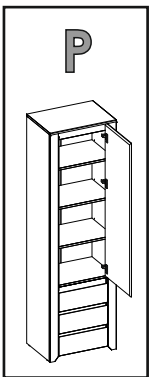
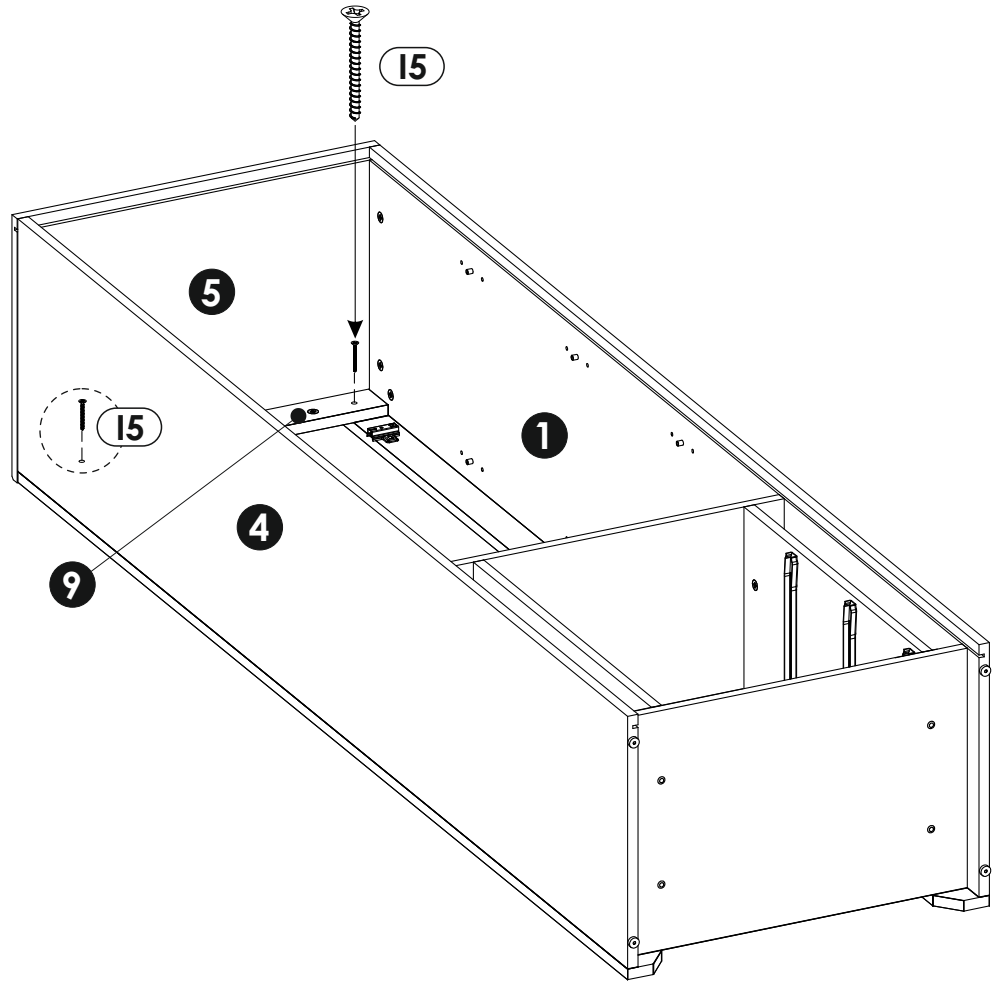
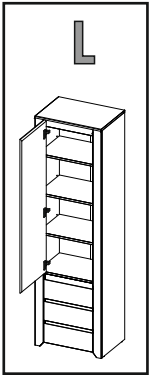
12 ▶



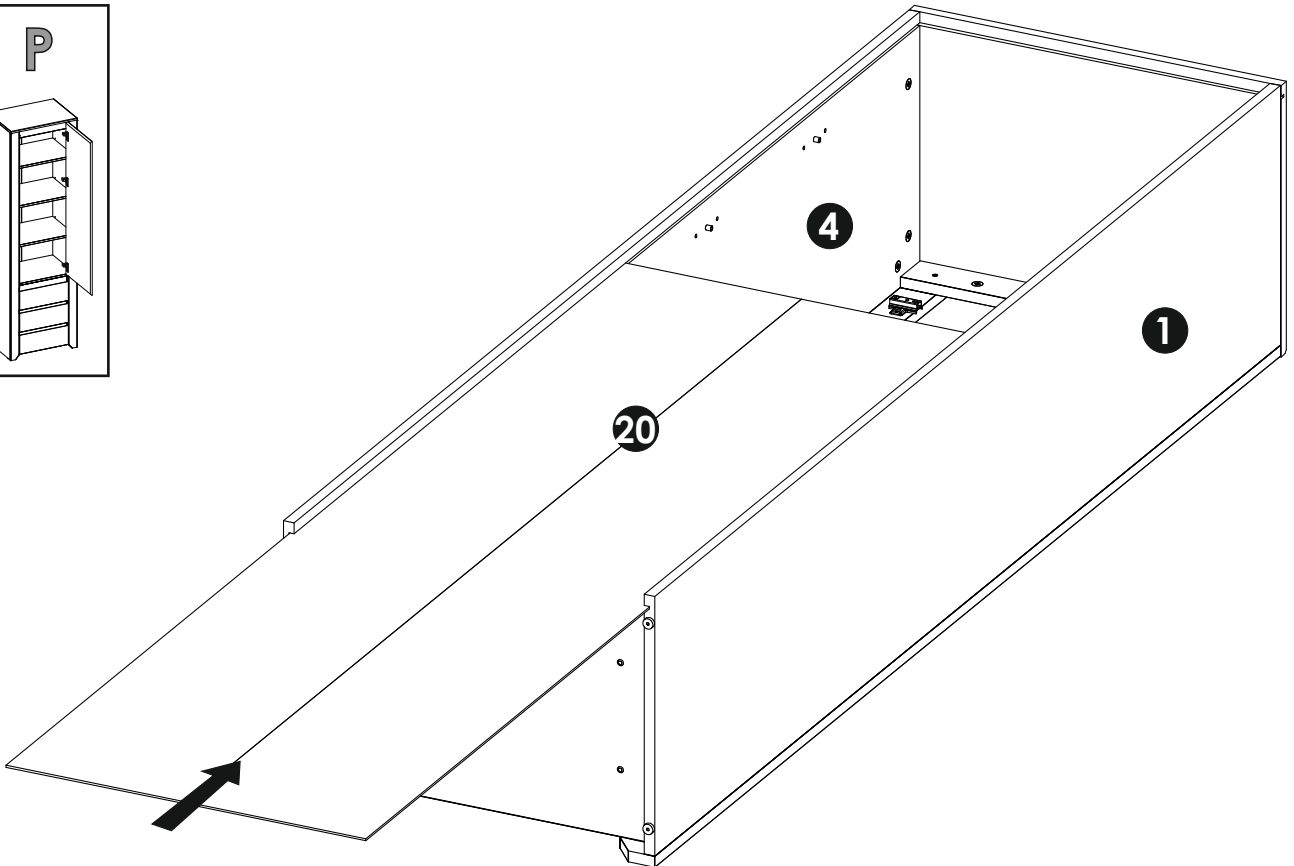
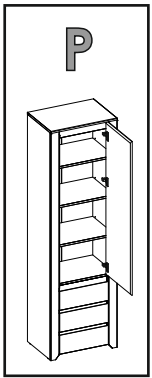
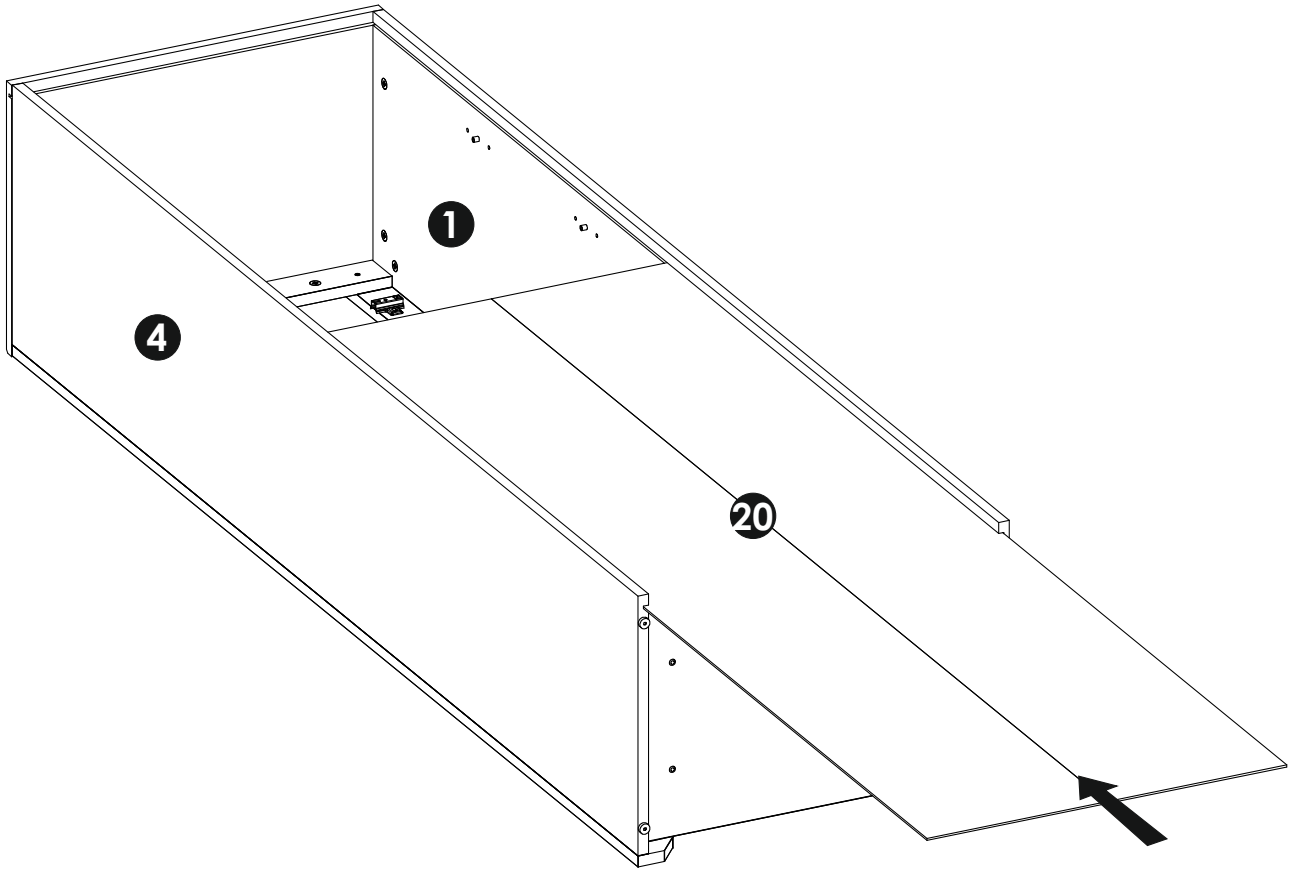
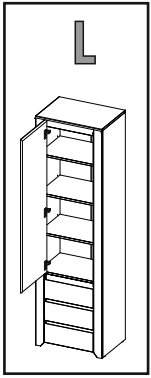
13 ▶

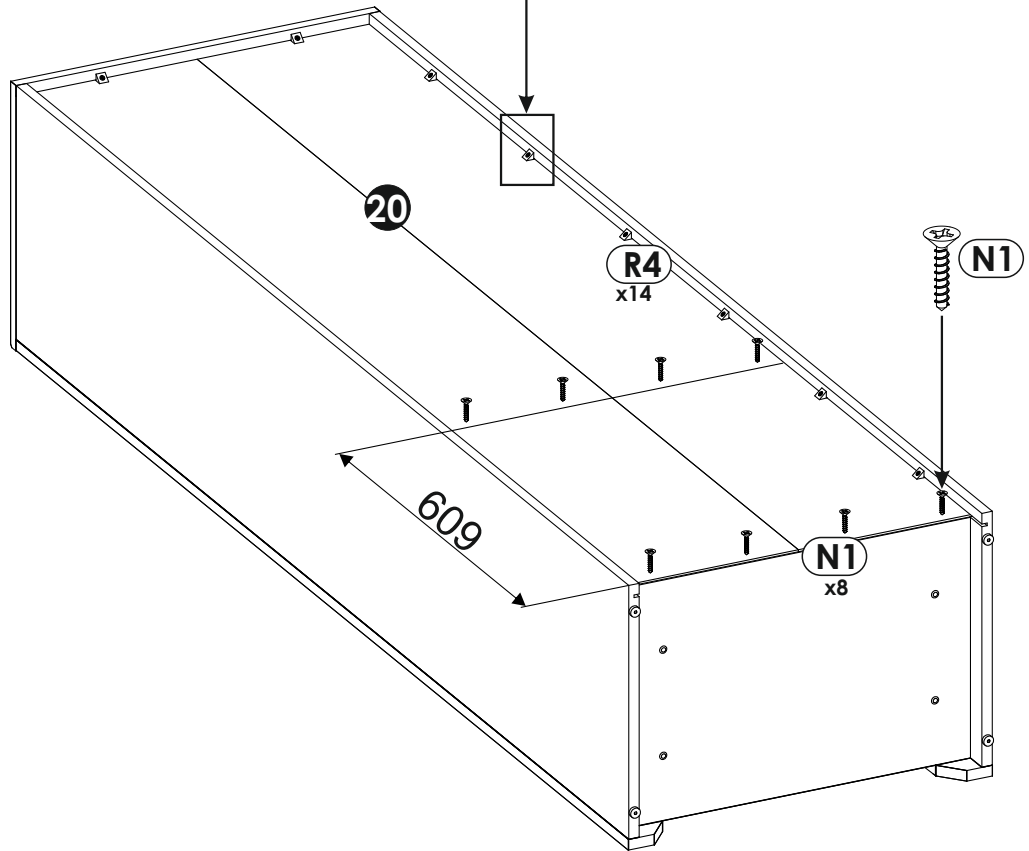
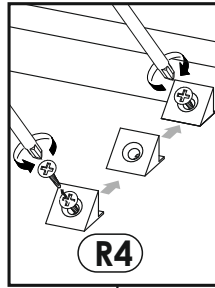
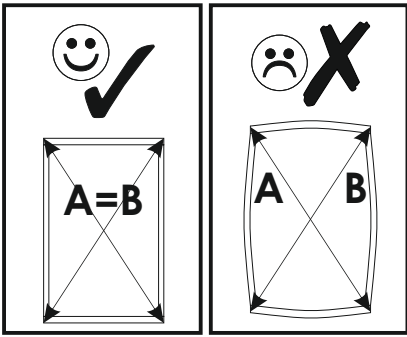


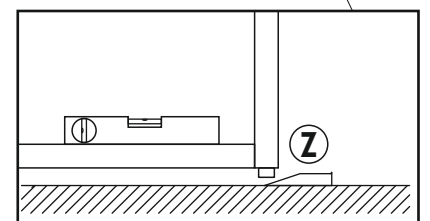
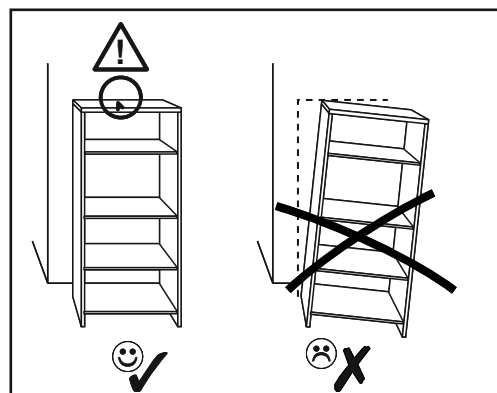
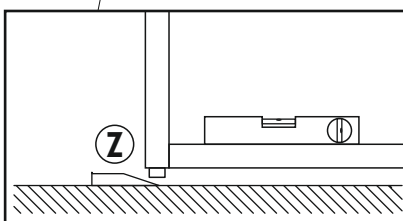
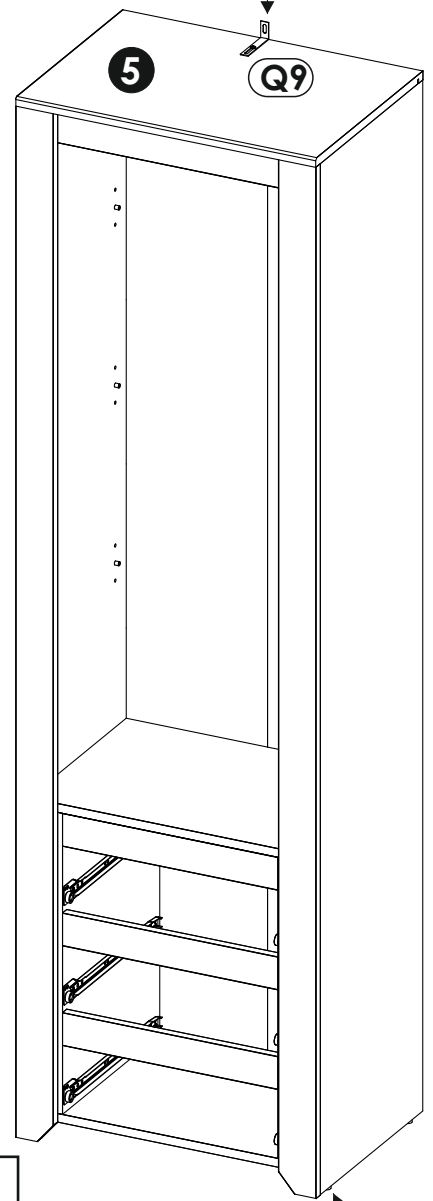
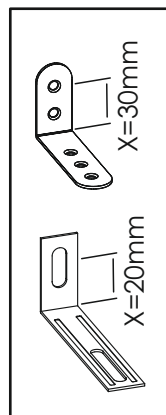
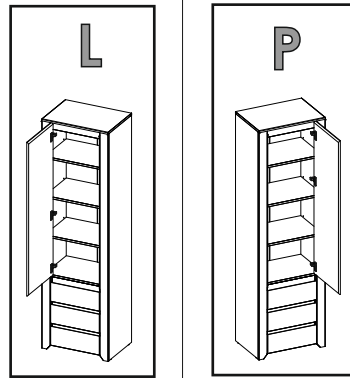
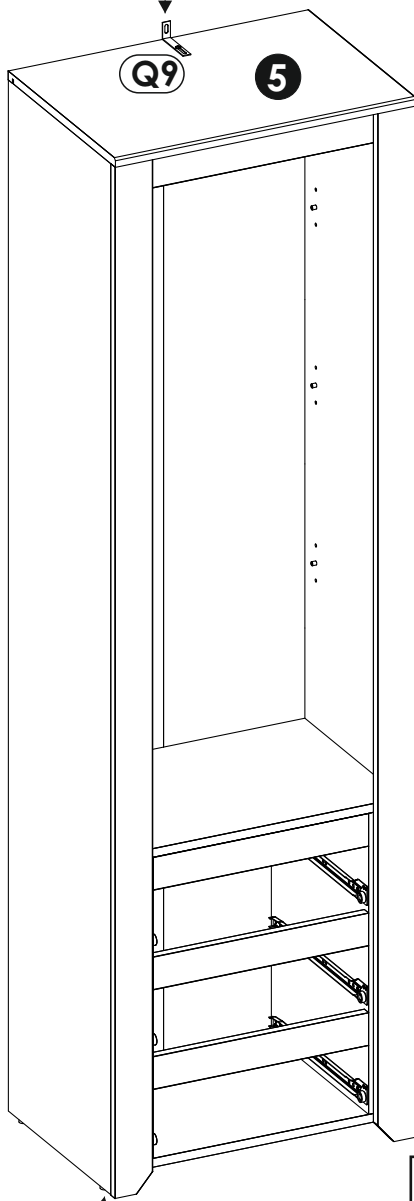
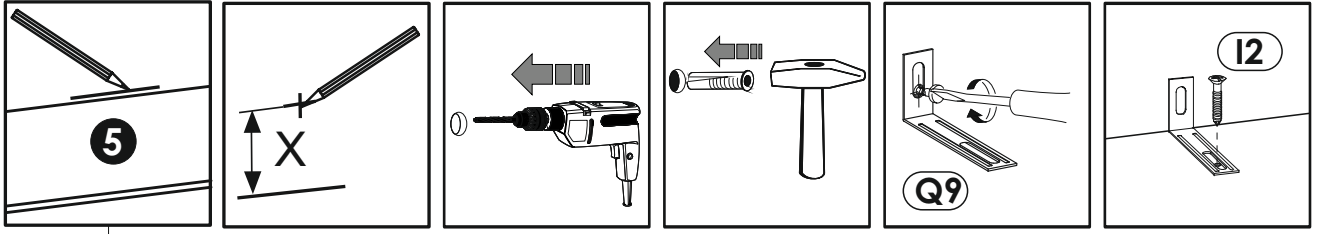
14 ▶



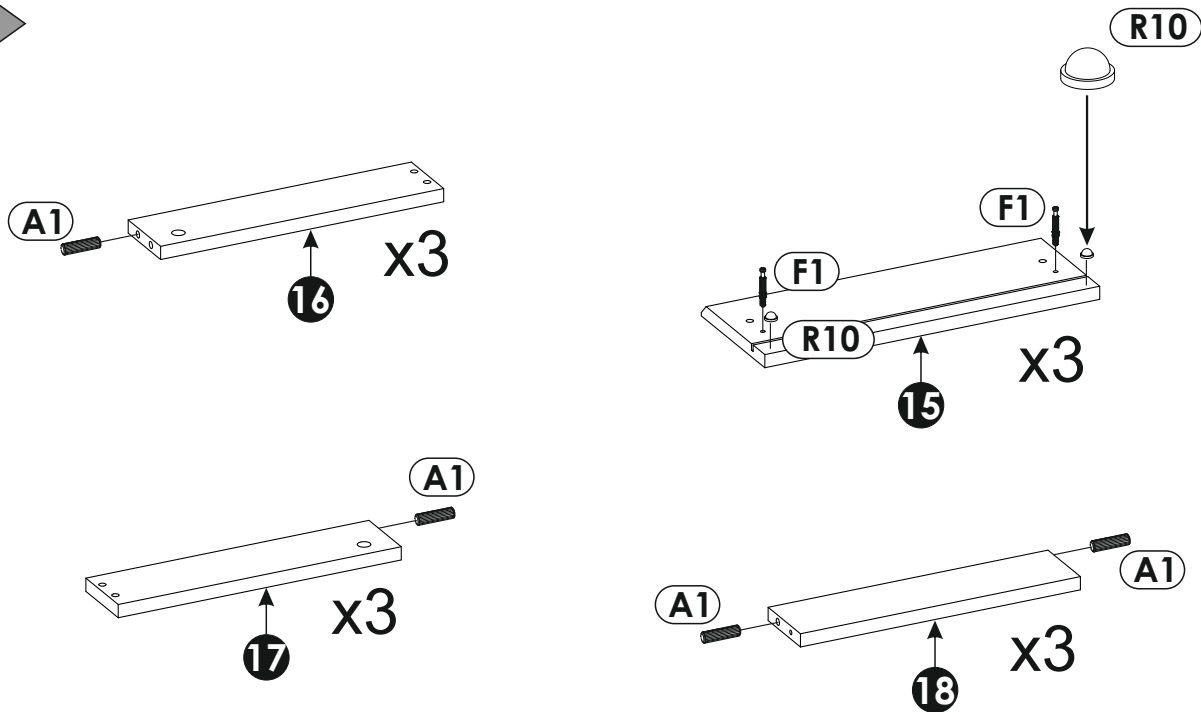
15 ▶



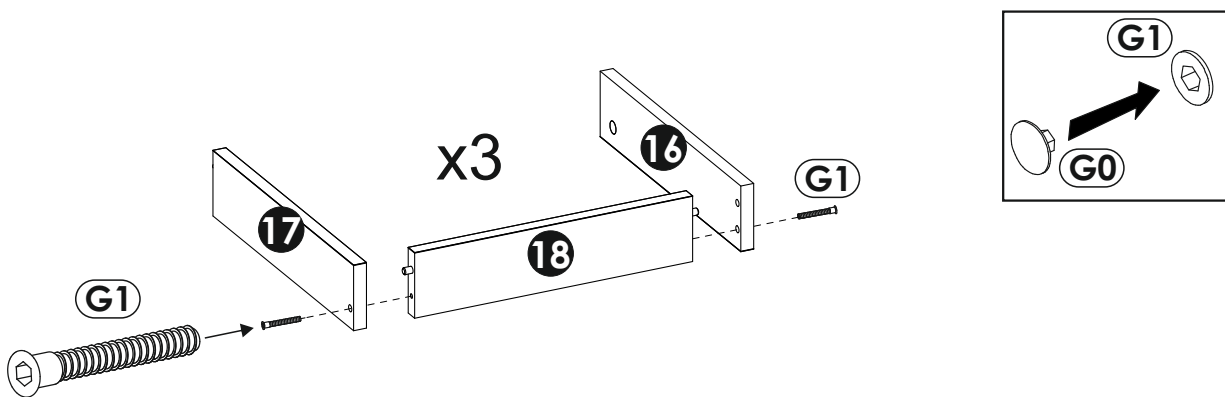




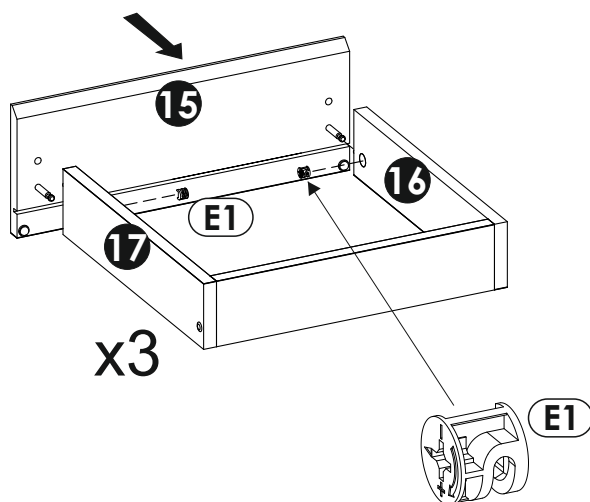
18▶



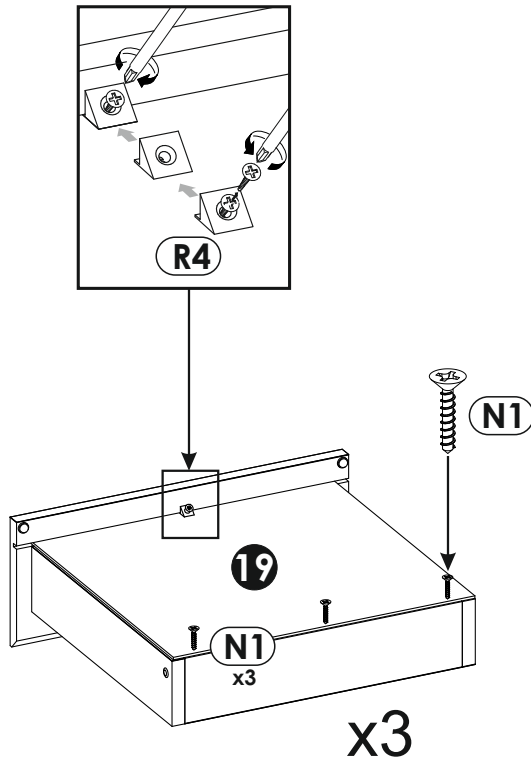
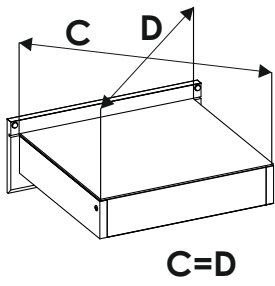
19▶



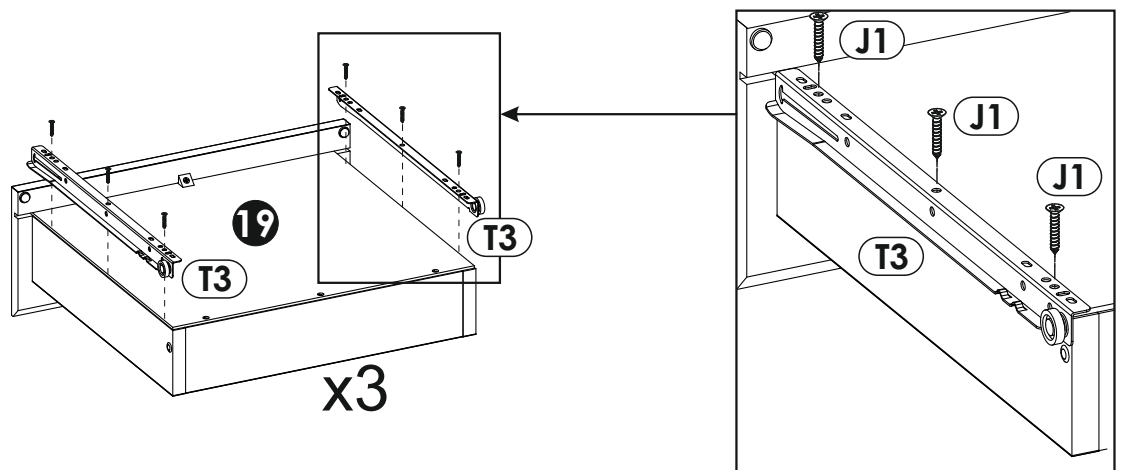
20▶



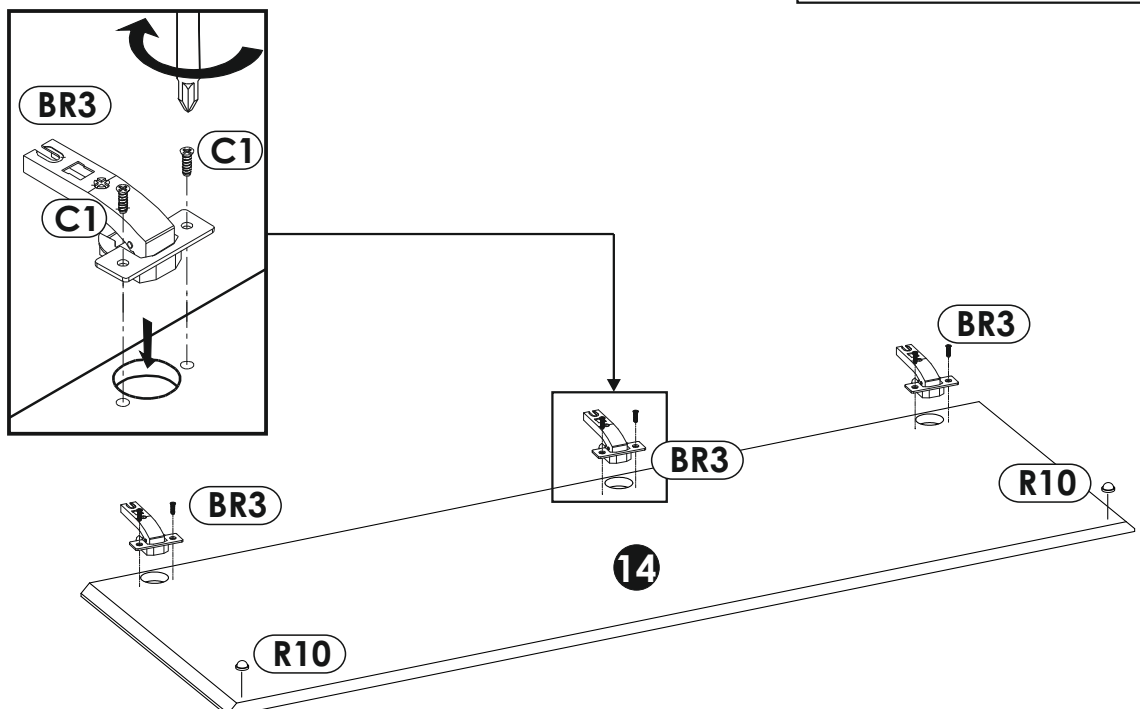
21 ▶

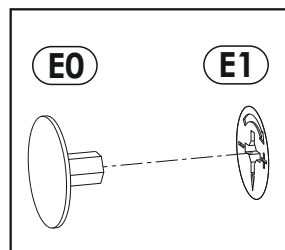
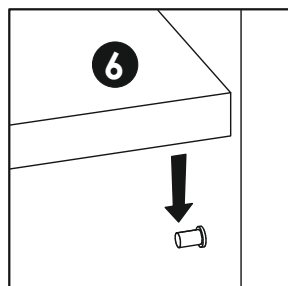
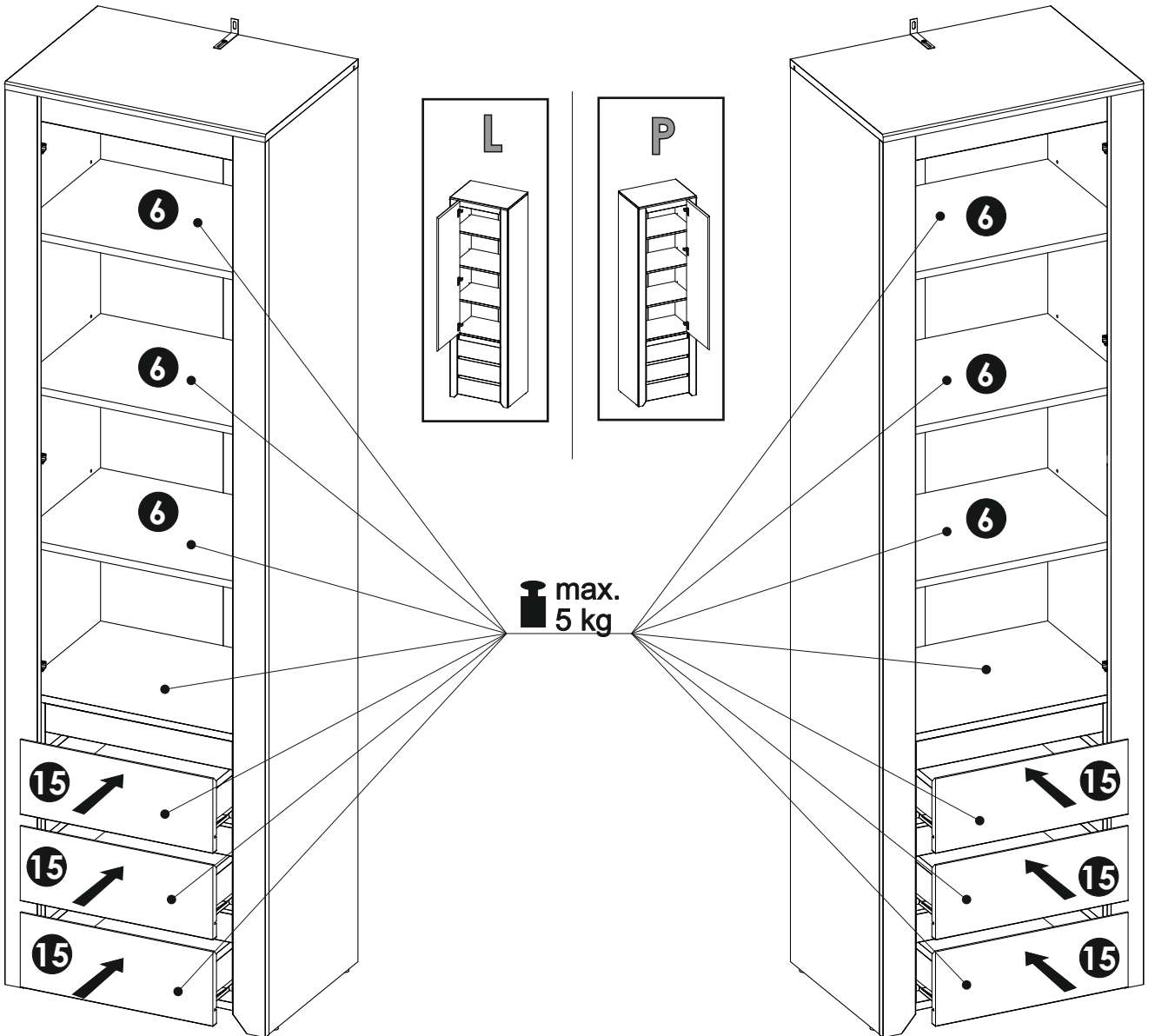
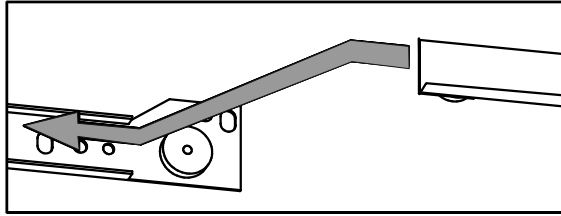


22 ▶



23 ▶





25 ▶

