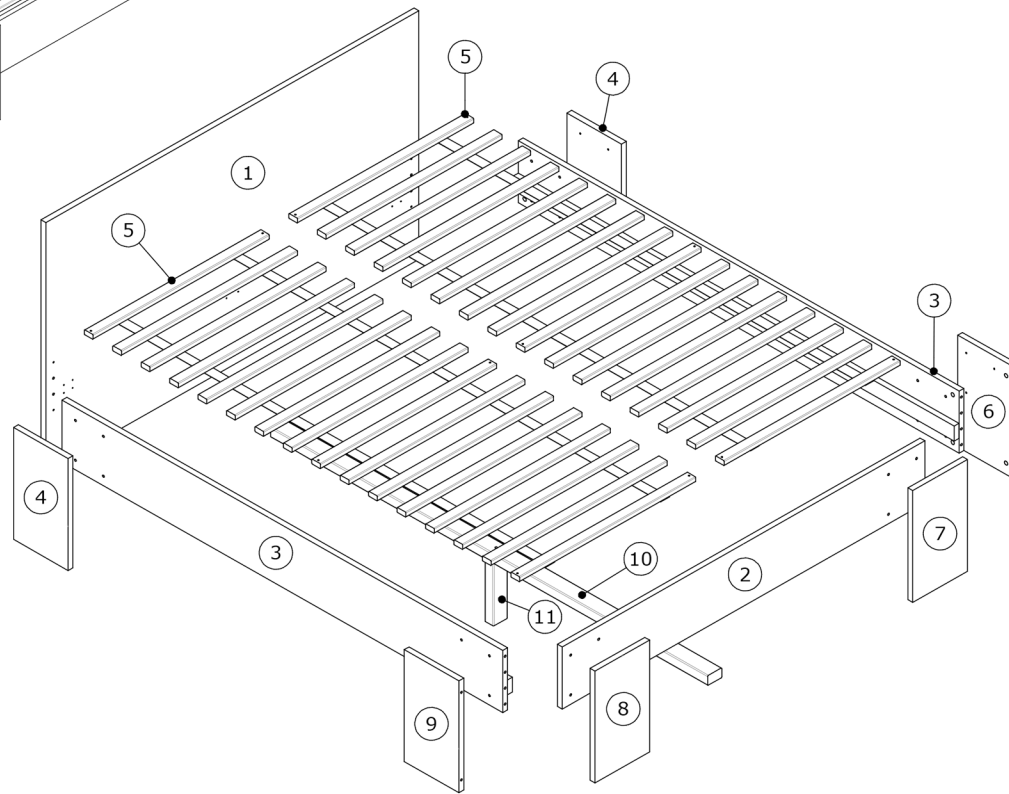
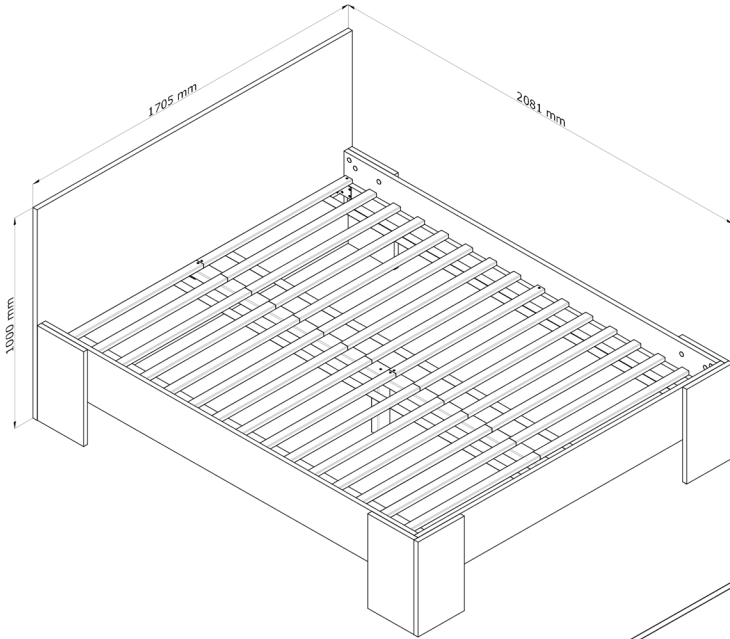
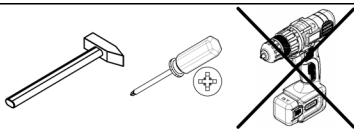


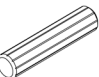
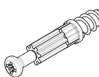

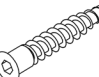



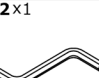





# MONTANA

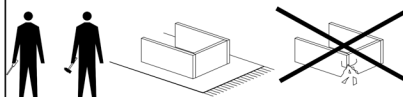
# L1



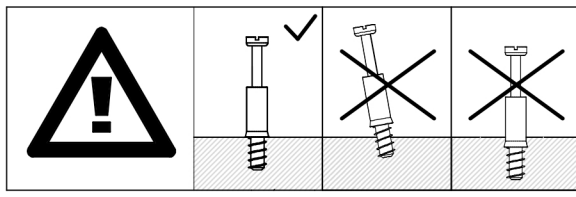
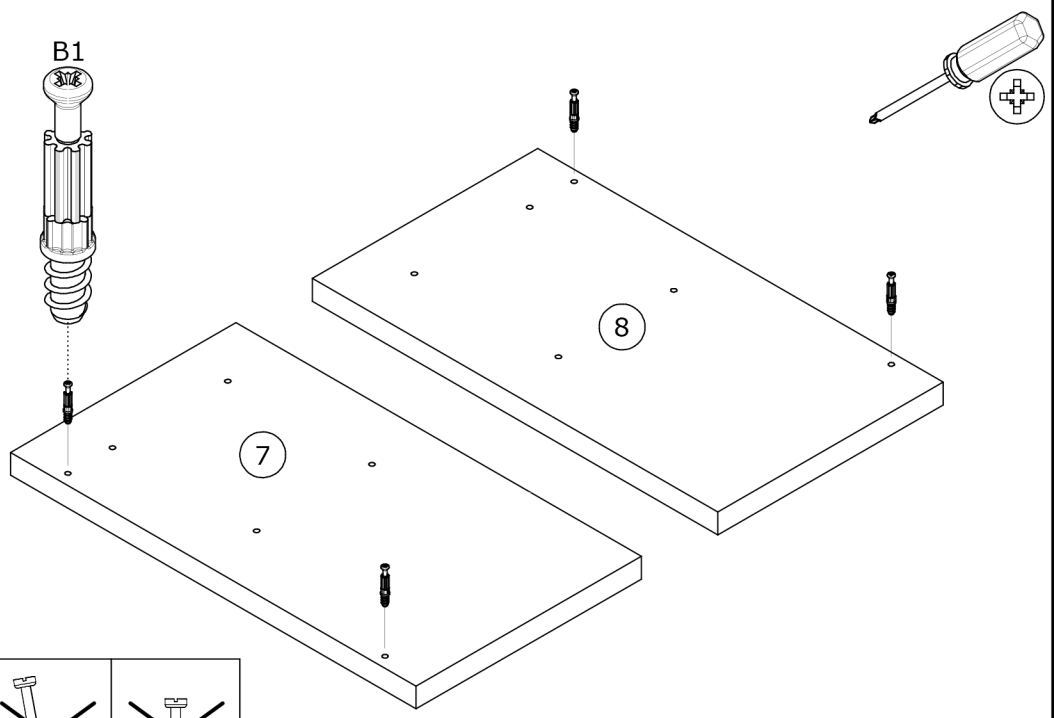
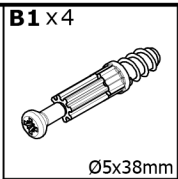
No.	L[mm]	W[mm]	H[mm]	PCS	BOX
1	1705	1000	22	1	2/3
2	1658	250	22	1	2/3
3	2015	250	22	2	1/3
4	450	250	22	2	2/3
5	805	40	20	2	3/3
6	450	250	22	1	2/3
7	450	250	22	1	2/3
8	450	250	22	1	2/3
9	450	250	22	1	2/3
10	1998	65	40	1	1/3
11	250	65	40	1	3/3



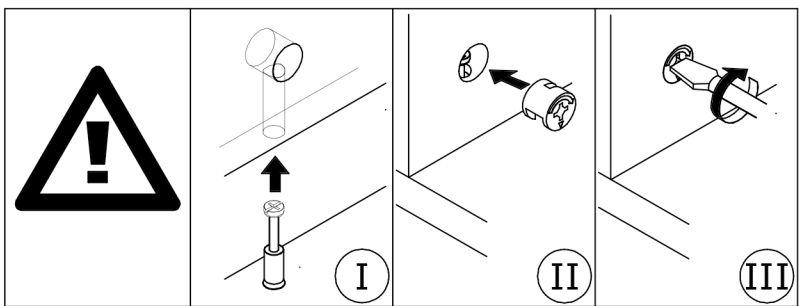
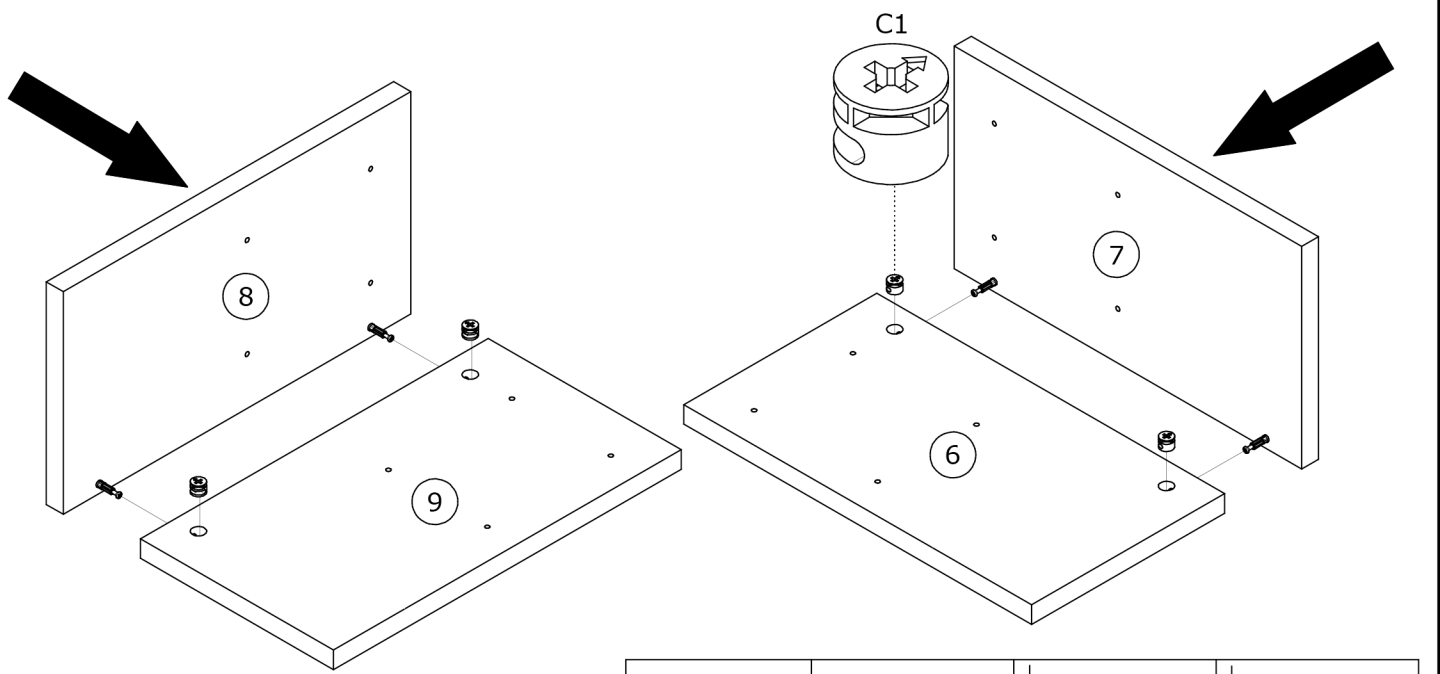
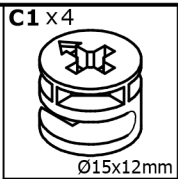
<b>A1</b> x8  Ø8x35mm	<b>B1</b> x12  Ø5x38mm	<b>C1</b> x12  Ø15x12mm	<b>K2</b> x24  Ø7x40mm	<b>K4</b> x1  Ø7x70mm
<b>L9</b> x1  M8x19mm	<b>L10</b> x1  M8x40mm	<b>N2</b> x1  4mm HEX	<b>R4</b> x2  68x37mm	<b>R5</b> x4  60x62mm
<b>W2</b> x40  Ø3,5x16mm	<b>W6</b> x18  Ø4x40mm	<b>Y2</b> x17  Ø16mm		



**1**



**2**

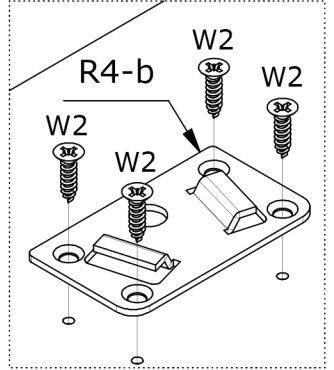
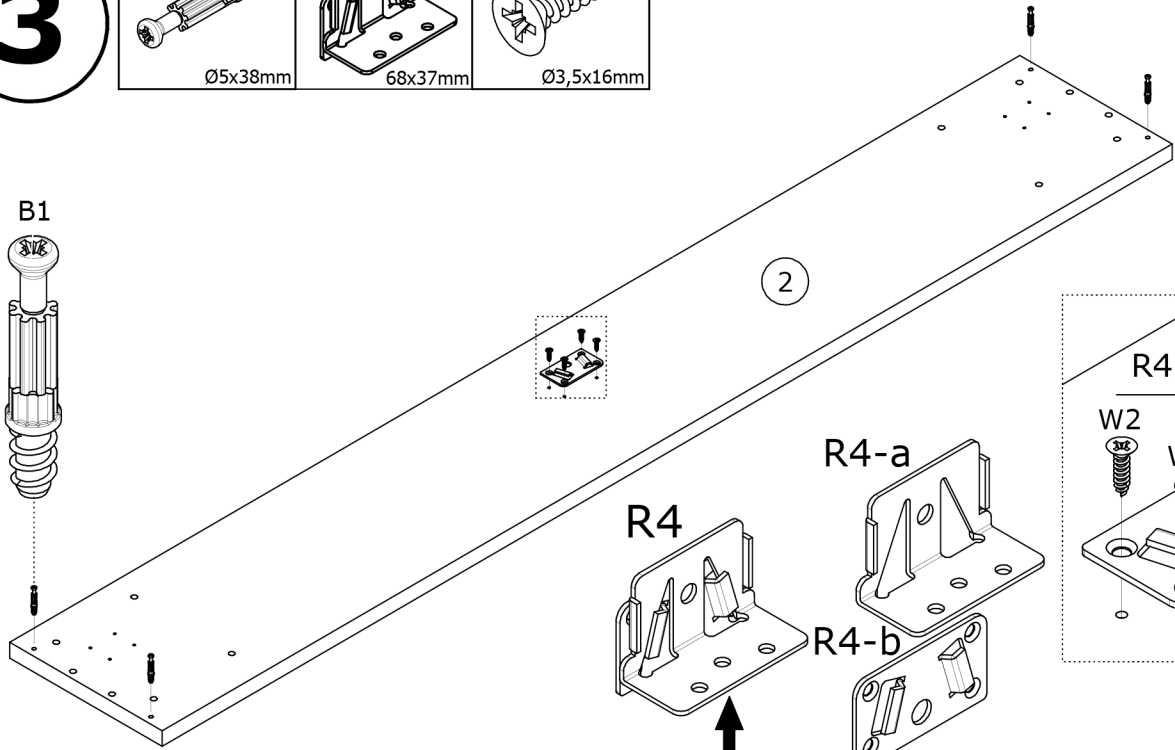
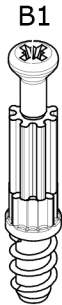
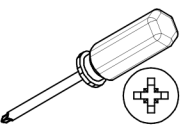


**3**

**B1** x4  
Ø5x38mm

**R4** x1  
68x37mm

**W2** x4  
Ø3,5x16mm

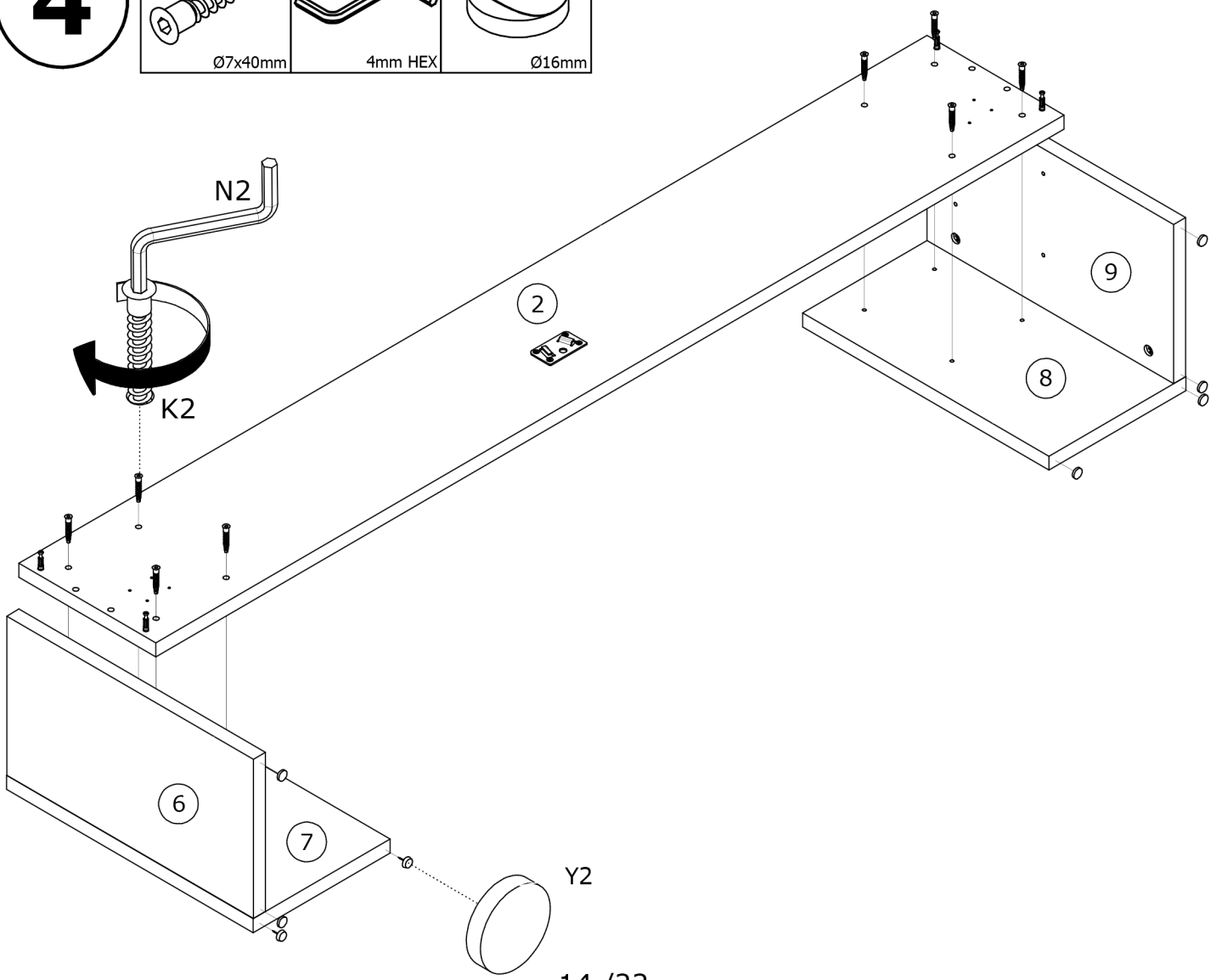
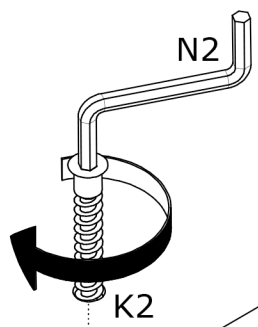


**4**

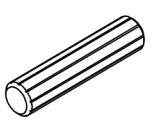
**K2** x8  
Ø7x40mm

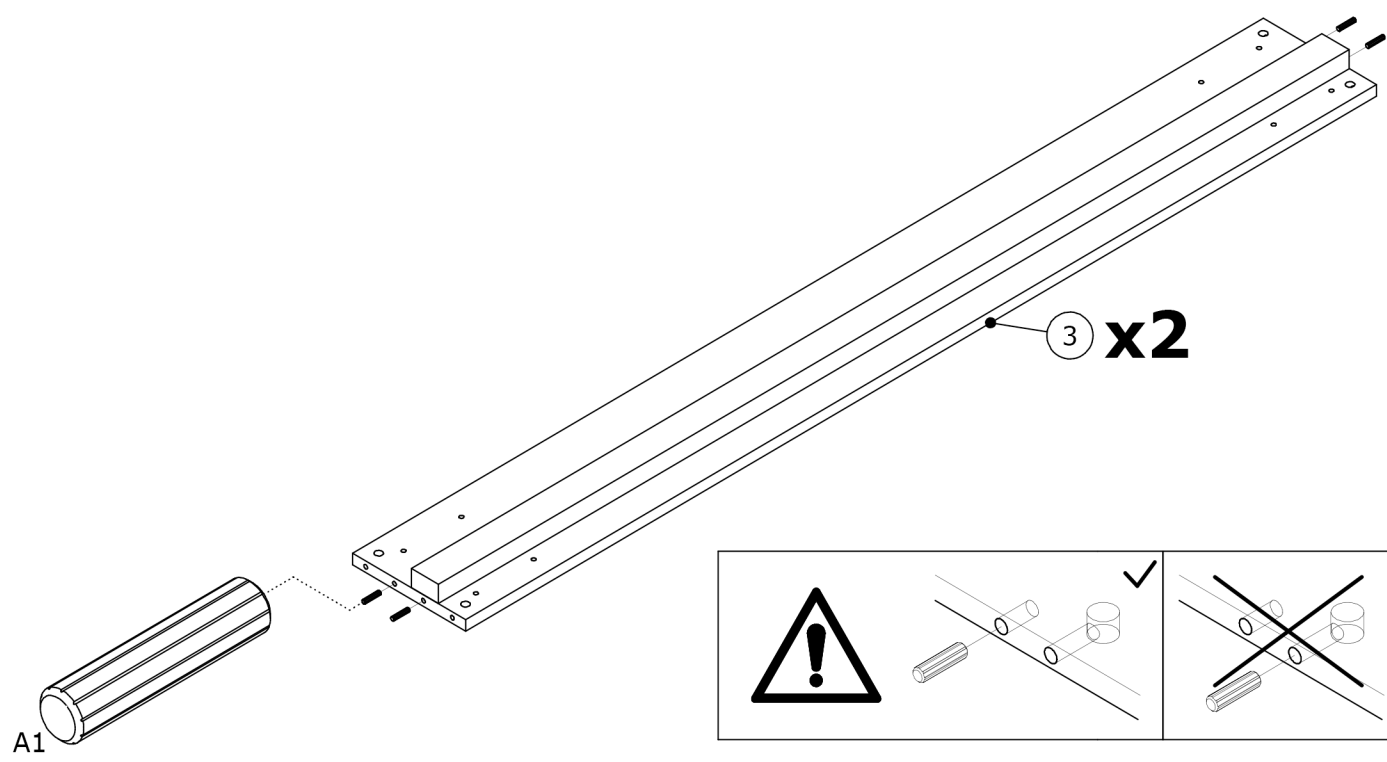
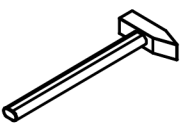
**N2** x1  
4mm HEX

**Y2** x8  
Ø16mm

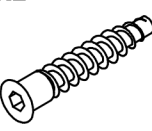



**5**


**A1 x 8**  
  
Ø8x35mm

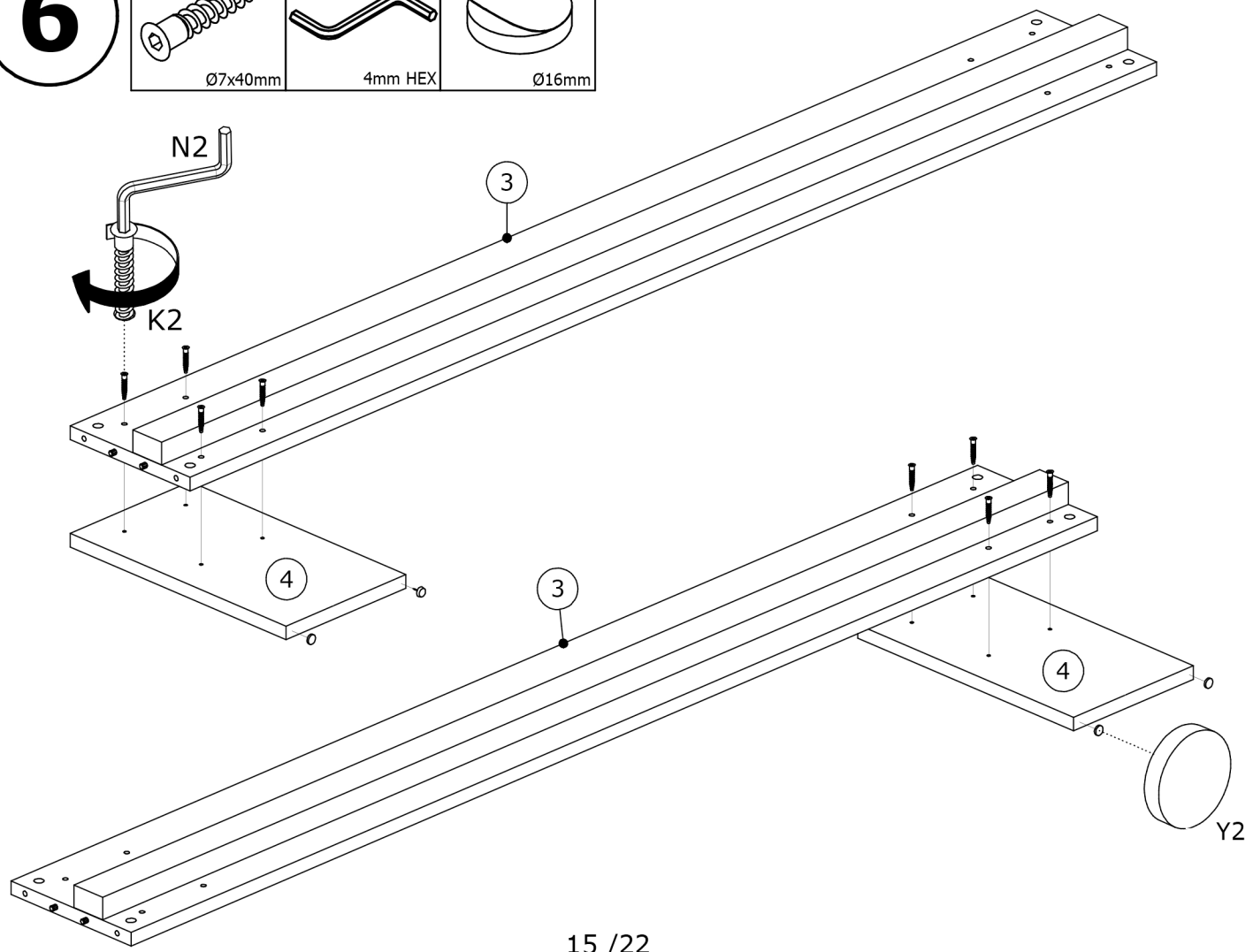


**6**

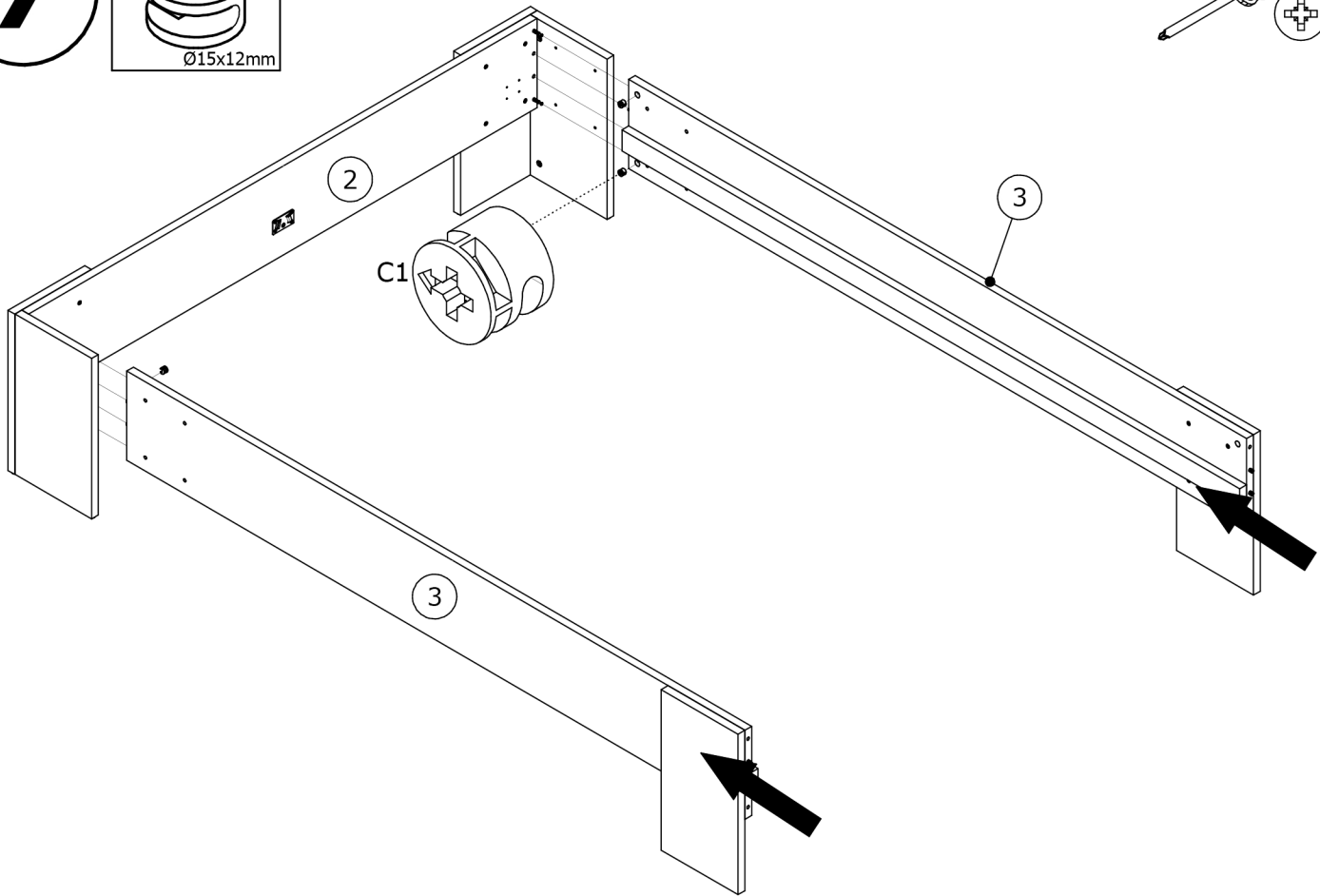
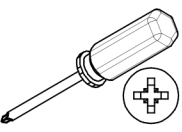
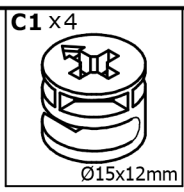
**K2 x 8**  
  
Ø7x40mm

**N2 x 1**  
  
4mm HEX

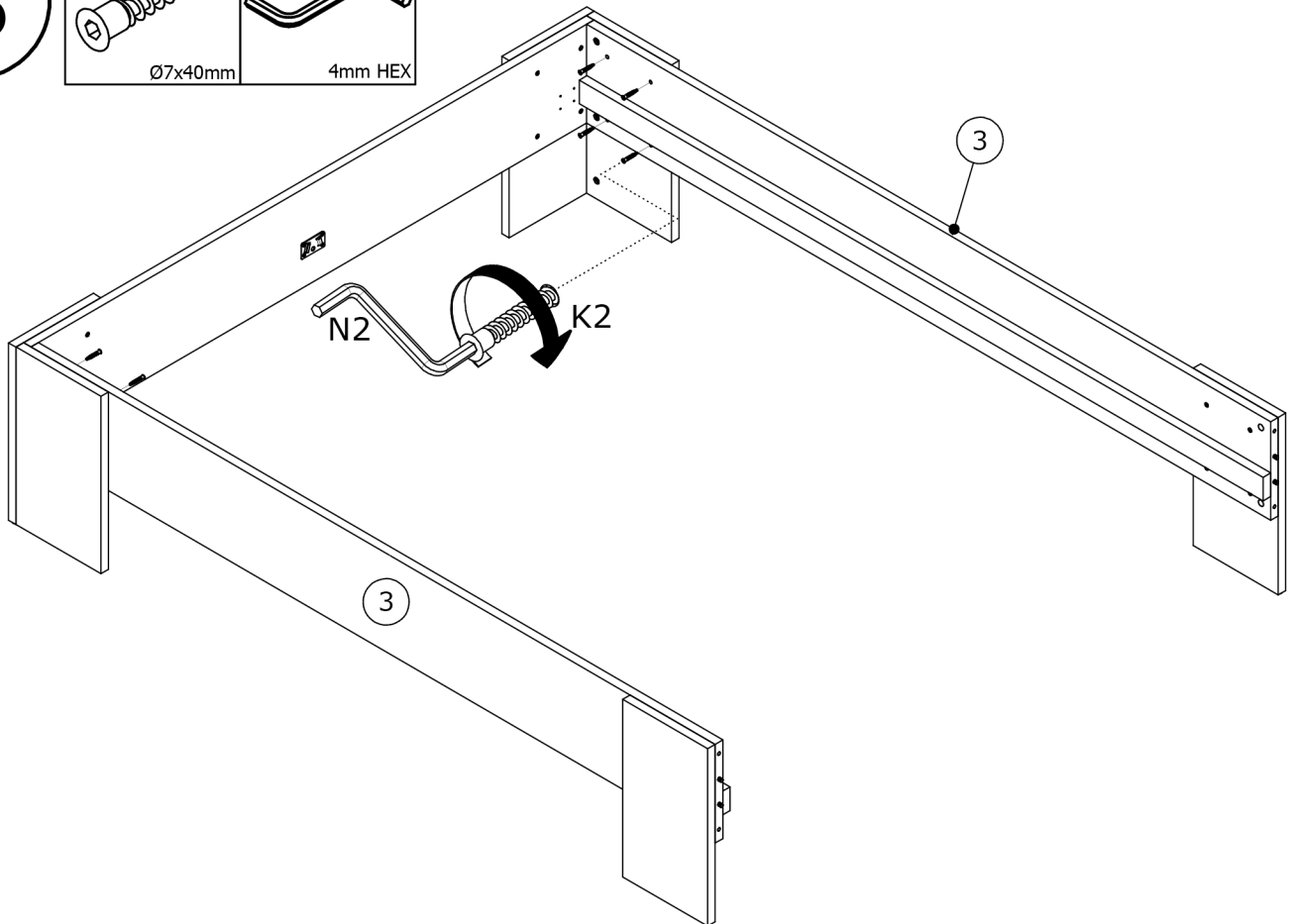
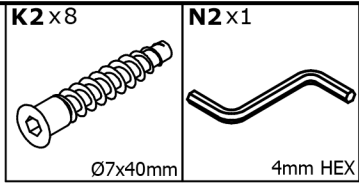
**Y2 x 4**  
  
Ø16mm



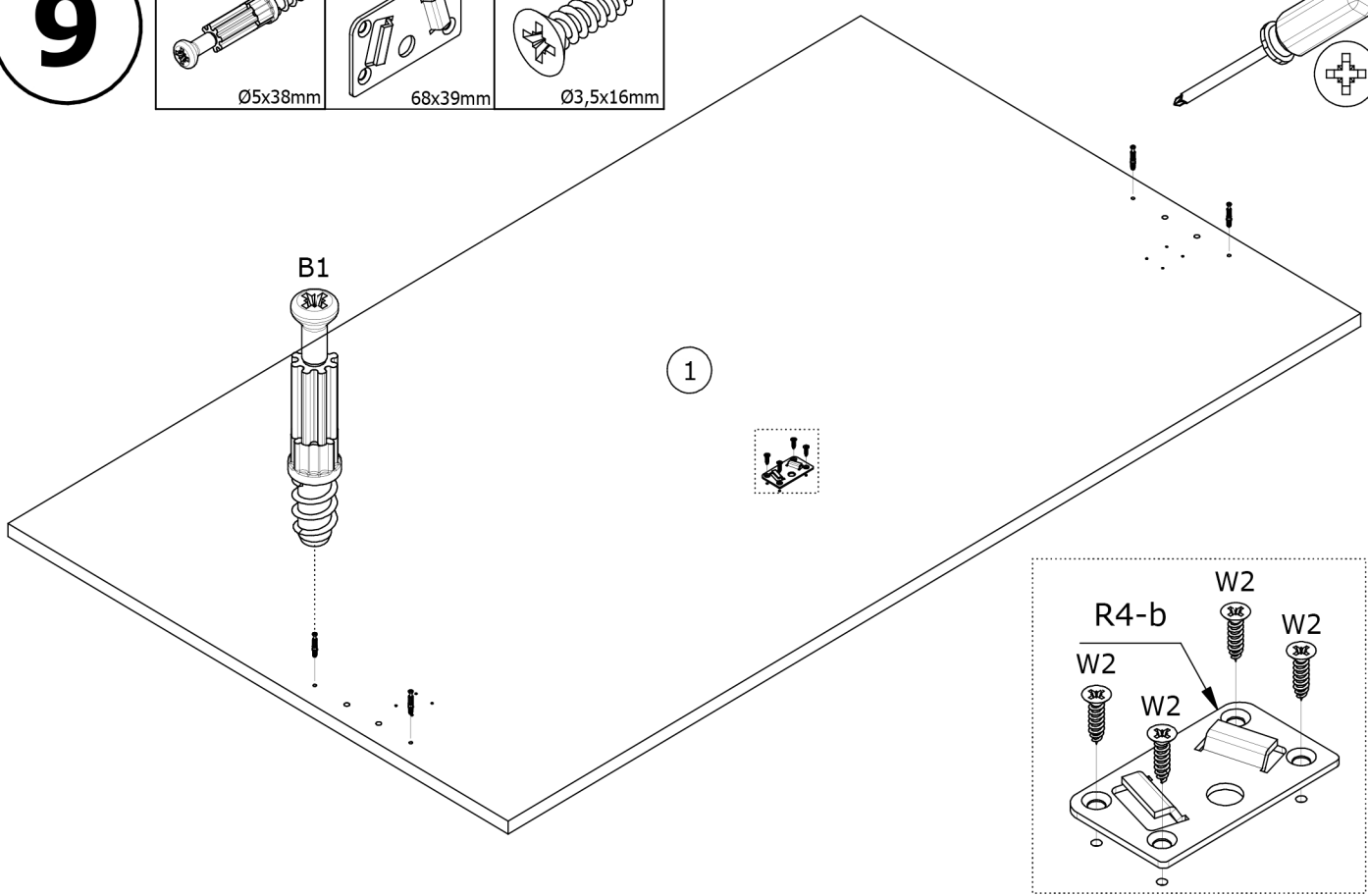
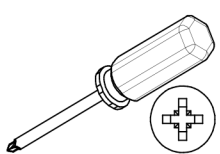
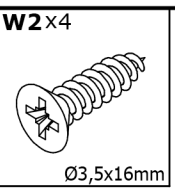
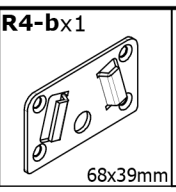
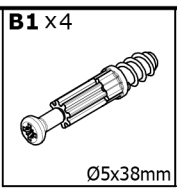
7



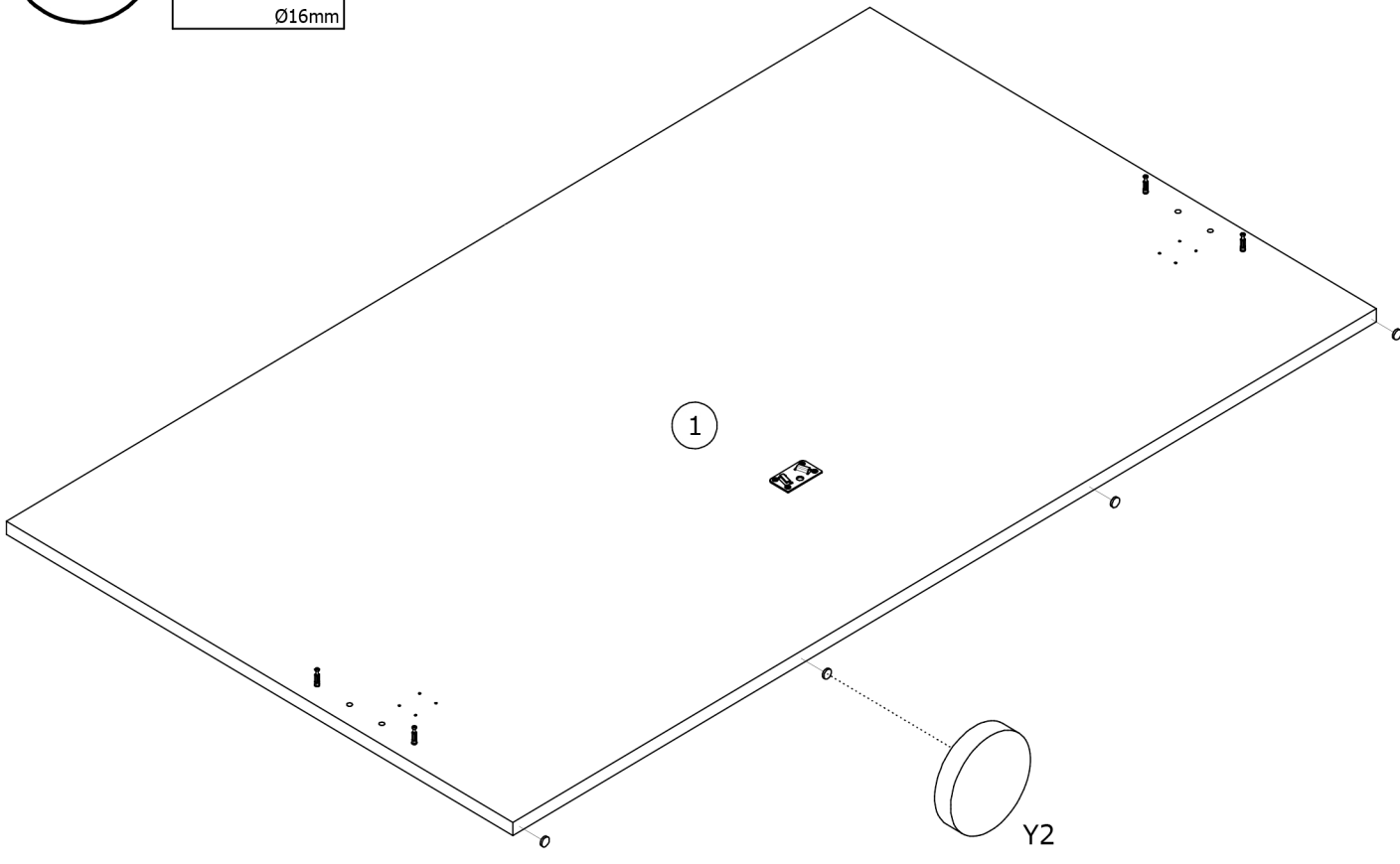
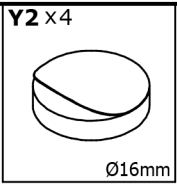
8



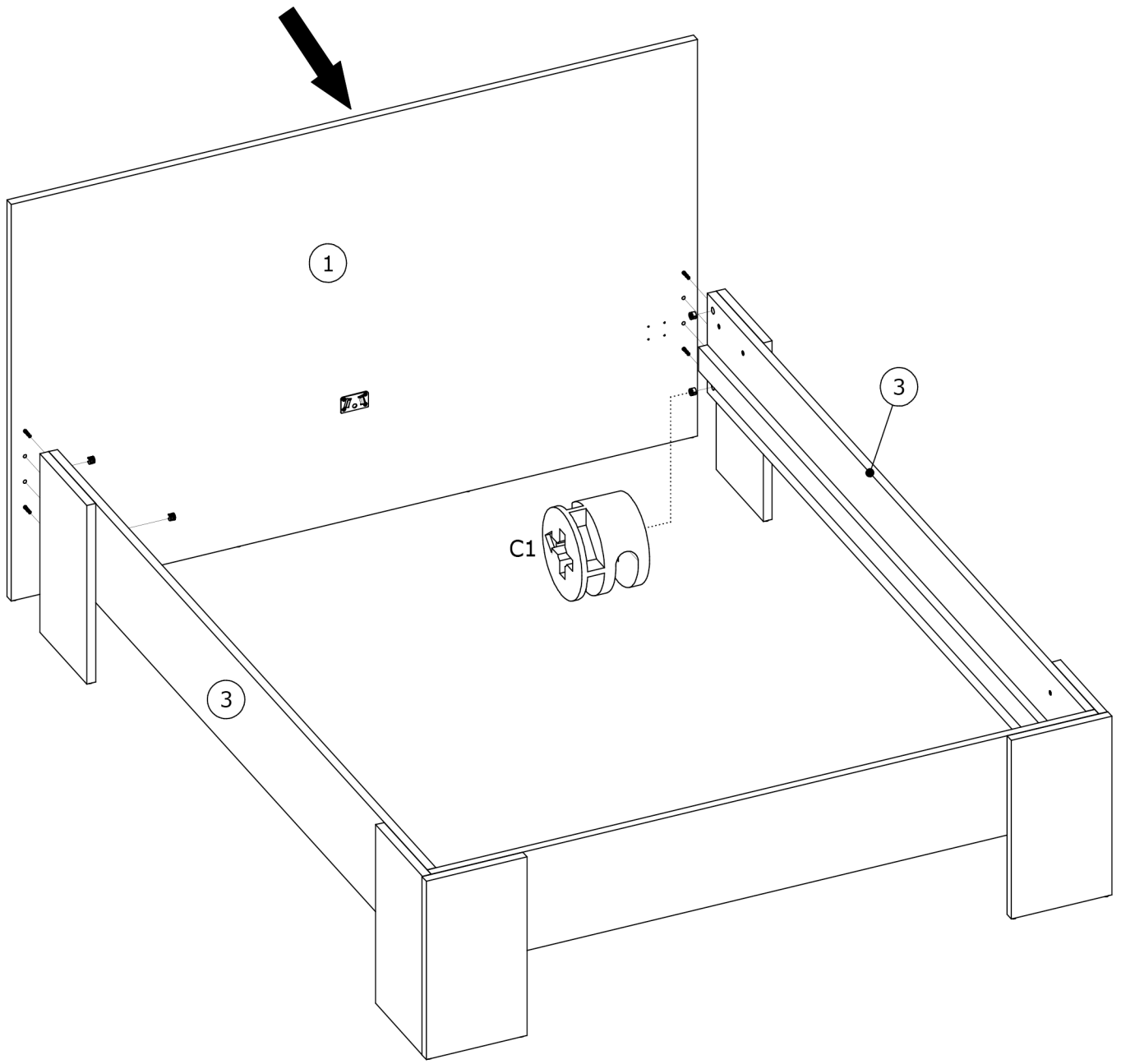
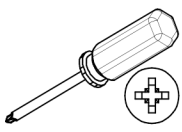
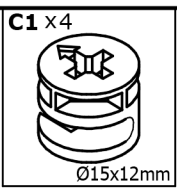
9



10

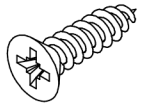


11



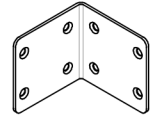
12

W2x32

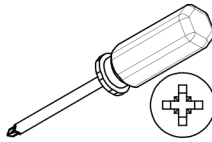


Ø3,5x16mm

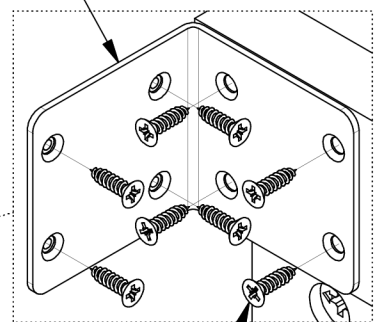
R5x4



60x62mm



R5



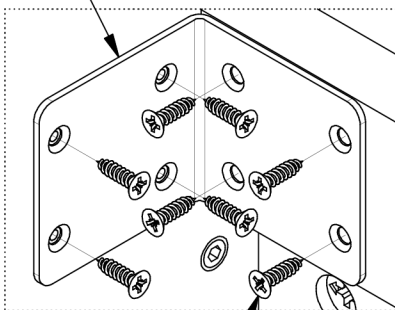
W2x8

1

3

3

R5



W2x8

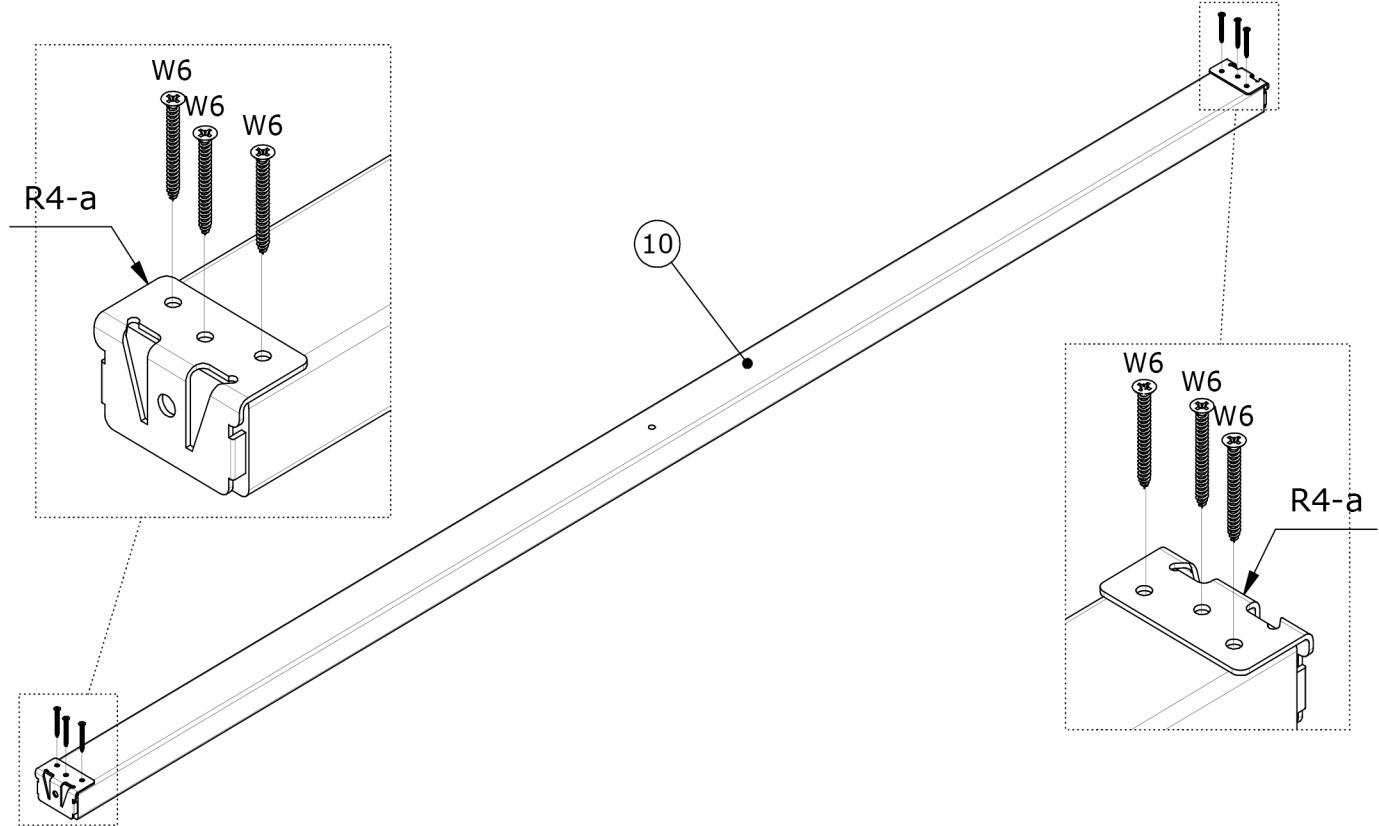
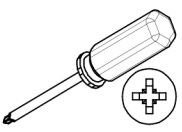
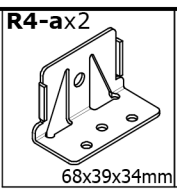
2

3

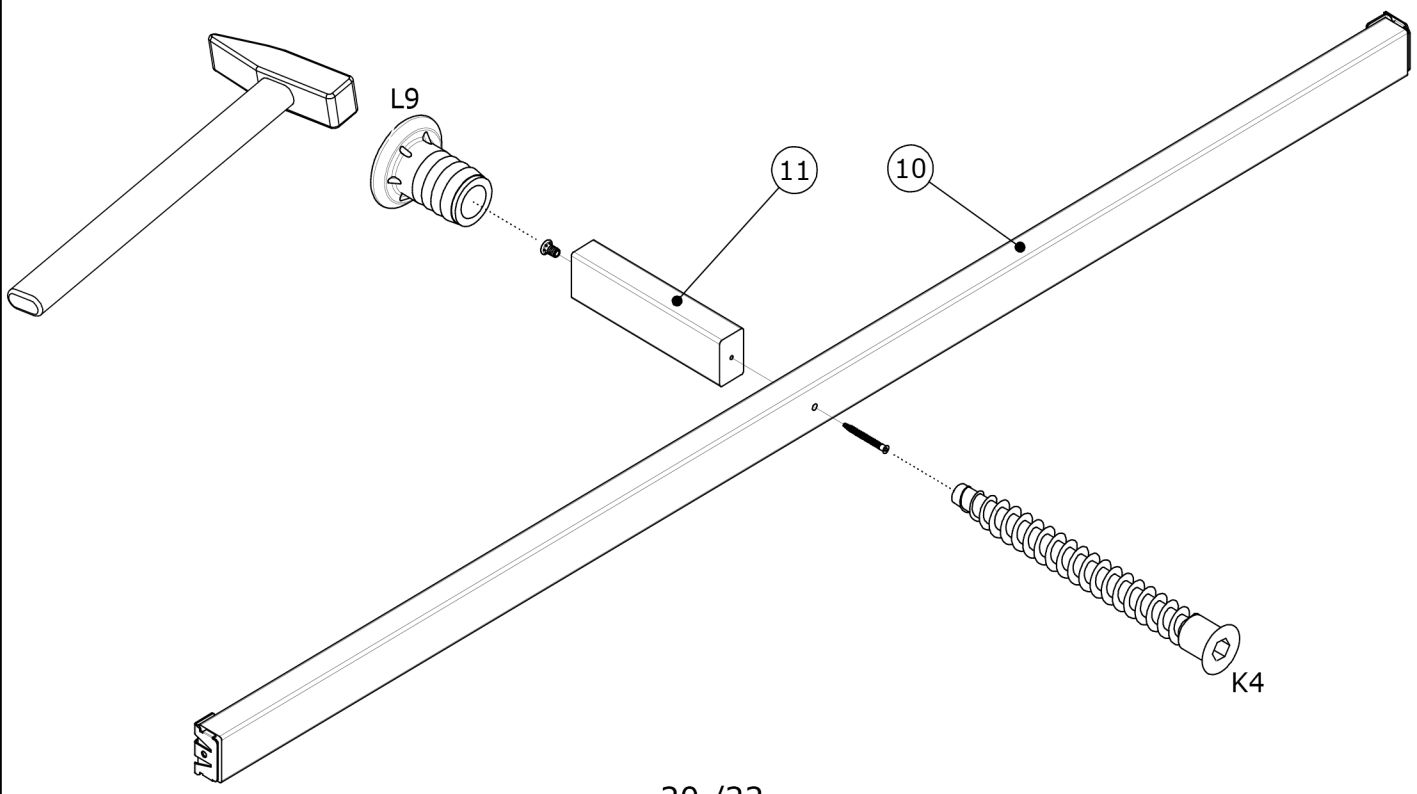
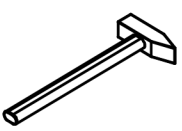
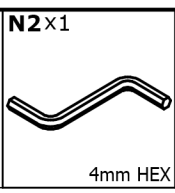
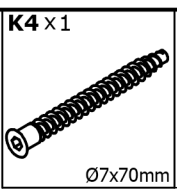
3



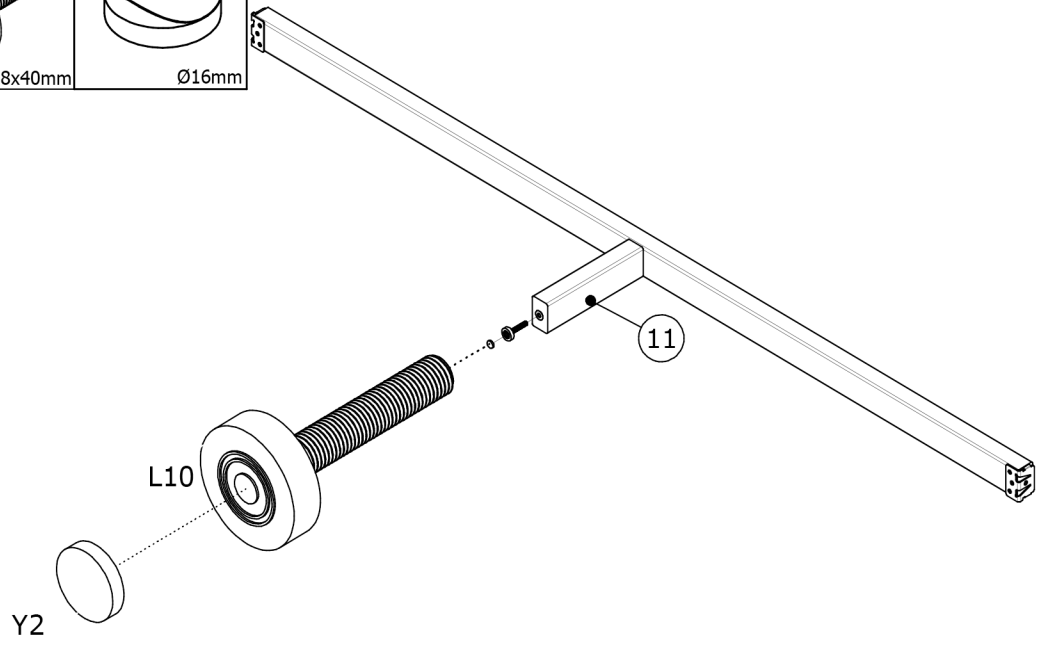
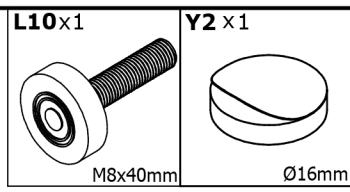
13



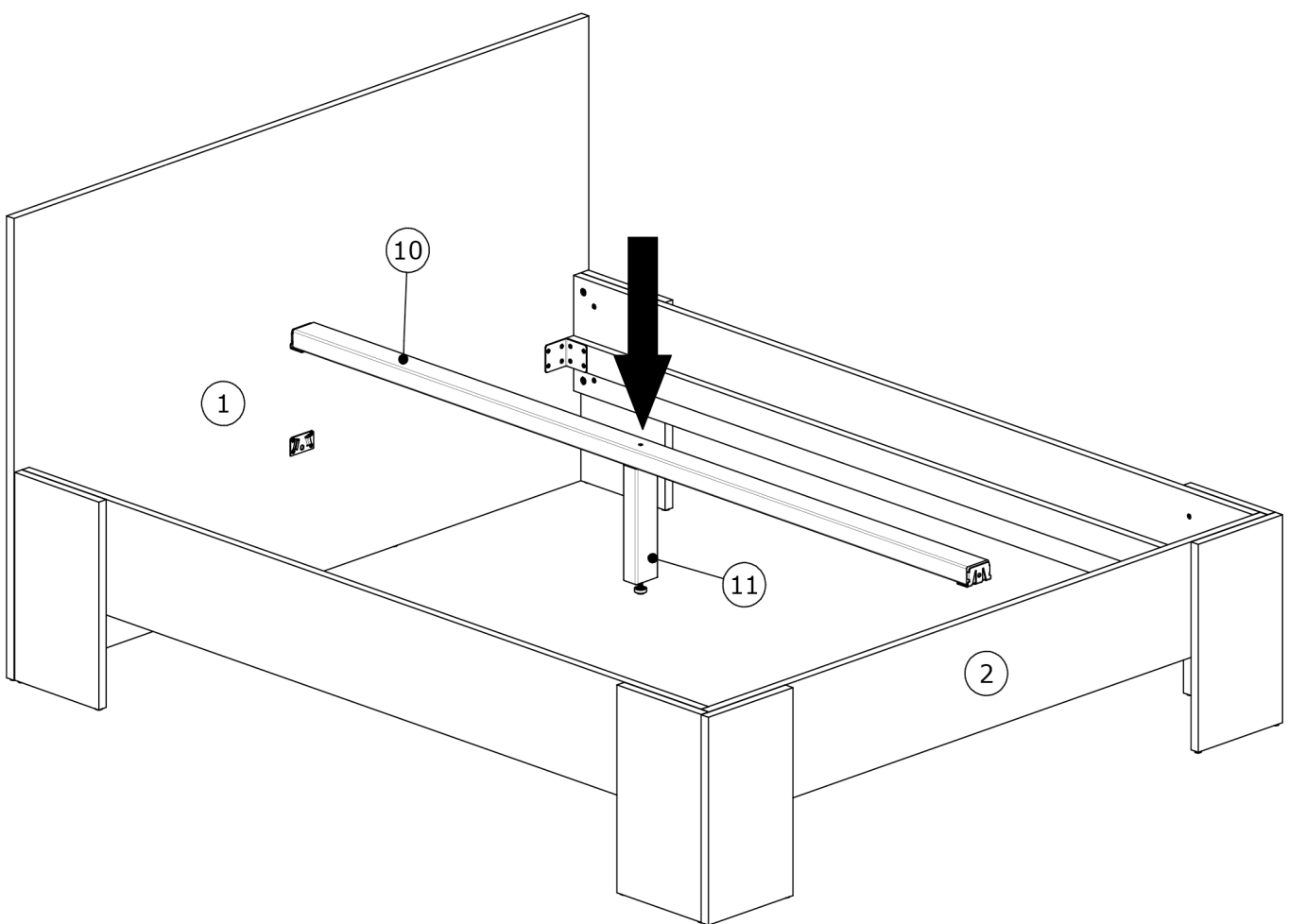
14



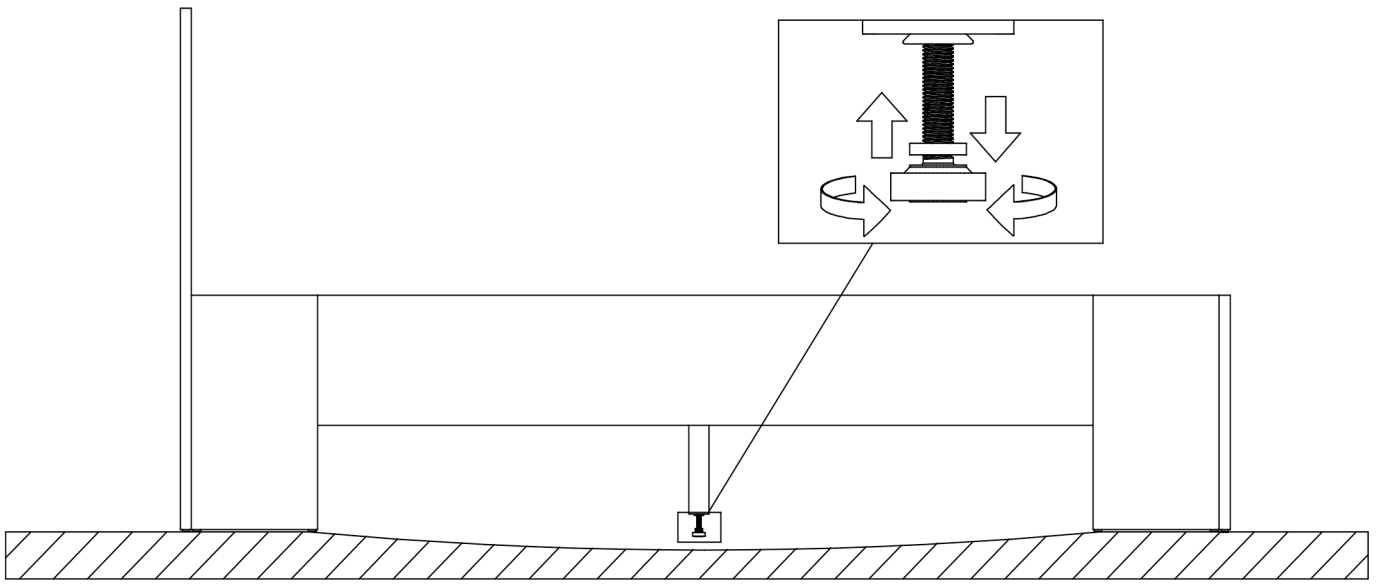
**15**



**16**



17



18

