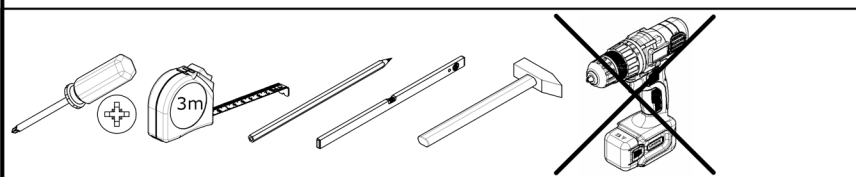
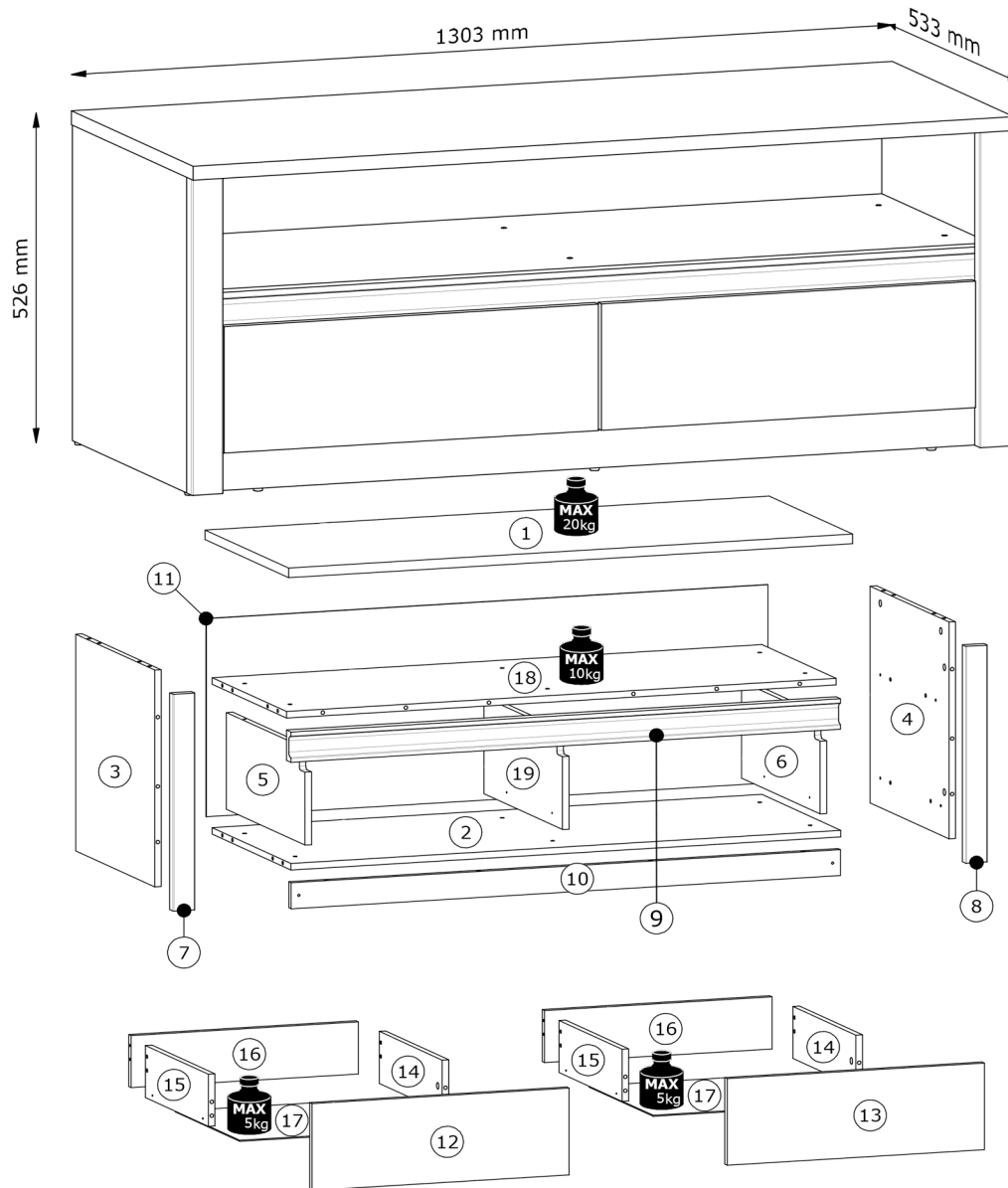
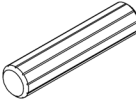
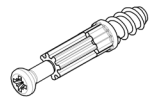
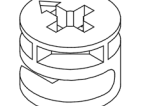
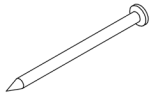
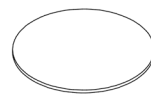
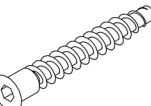

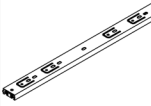
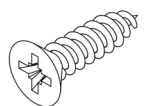
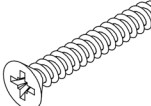
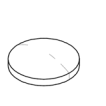
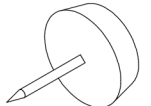
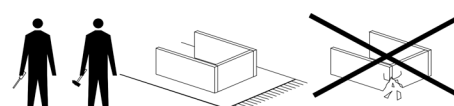


MONTANA

RTV



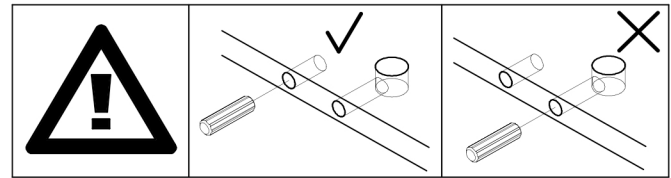
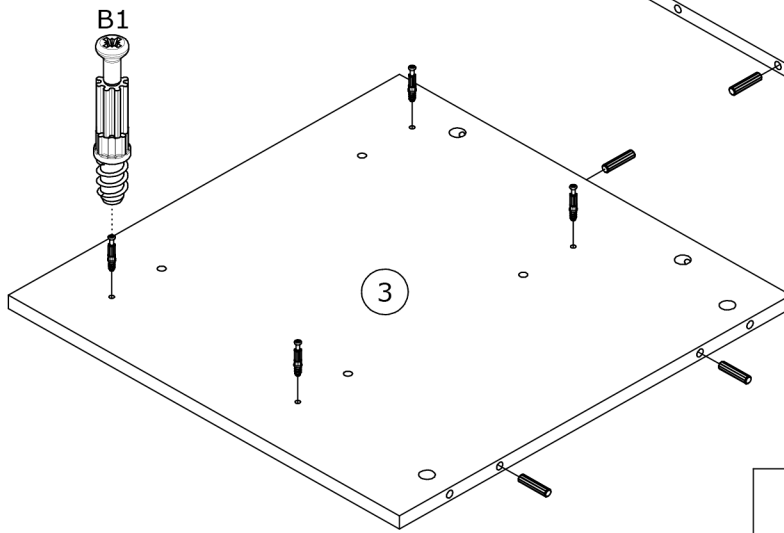
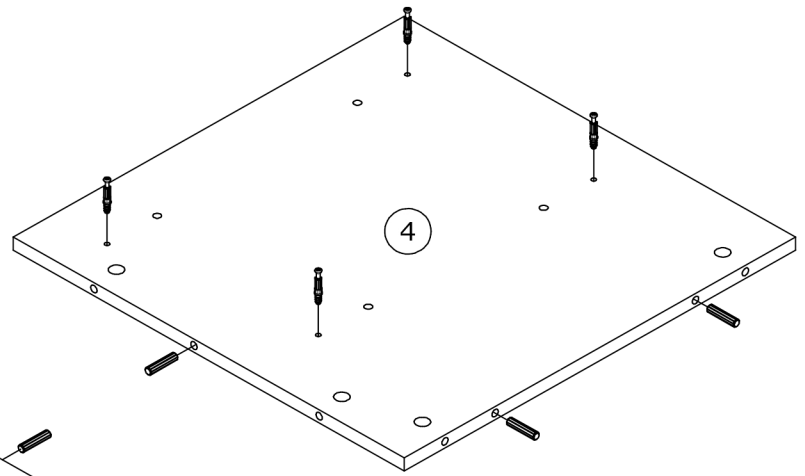
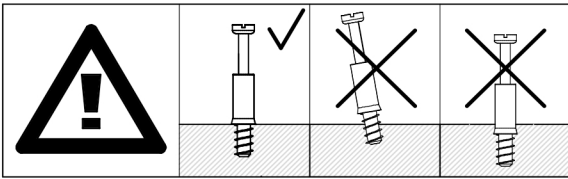
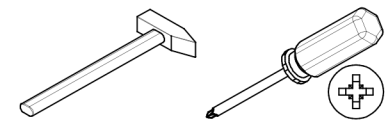
A1 x24  Ø8x35mm	B1 x24  Ø5x38mm	C1 x24  Ø15x12mm	G1 x60  26mm	J x16  Ø21mm
K1 x20  Ø6,4x50mm	N2 x1  4mm HEX	P3 x4  400mm	W2 x20  Ø3,5x16mm	W5 x2  Ø4x30mm
Y1 x4  Ø8x1,5mm	Y5 x7  Ø15x20mm			

No.	L[mm]	W[mm]	H[mm]	PSC	BOX
1	1303	530	22	1	1
2	1270	500	15	1	1
3	500	500	15	1	1
4	500	500	15	1	1
5	499	223	15	1	1
6	499	223	15	1	1
7	500	50	22	1	1
8	500	50	22	1	1
9	1270	70	28	1	1
10	1269	60	15	1	1
11	1297	457	2,5	1	1
12	594	200	15	1	1
13	594	200	15	1	1
14	120	400	15	2	1
15	120	400	15	2	1
16	525	120	15	2	1
17	553	408	2,5	2	1
18	1270	471	15	1	1
19	499	223	15	1	1

1

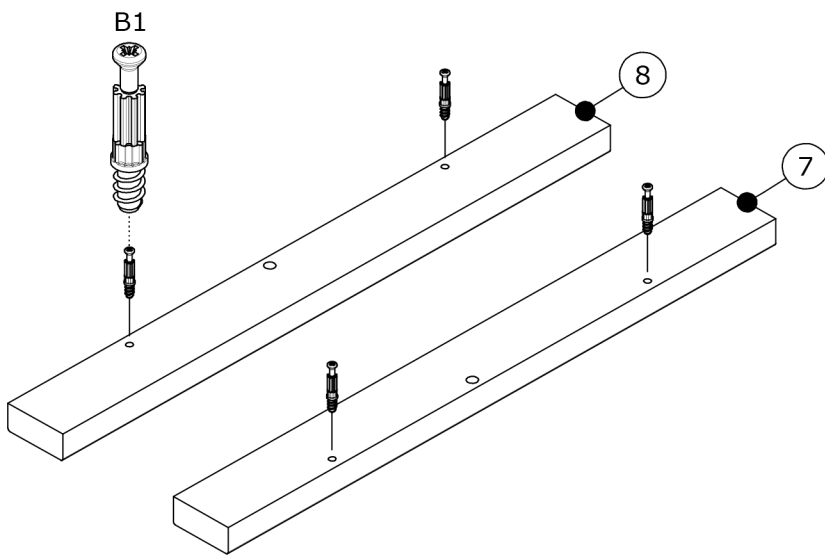
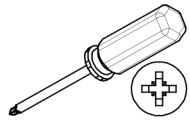
A1 x6
Ø8x35mm

B1 x8
Ø5x38mm

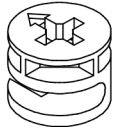


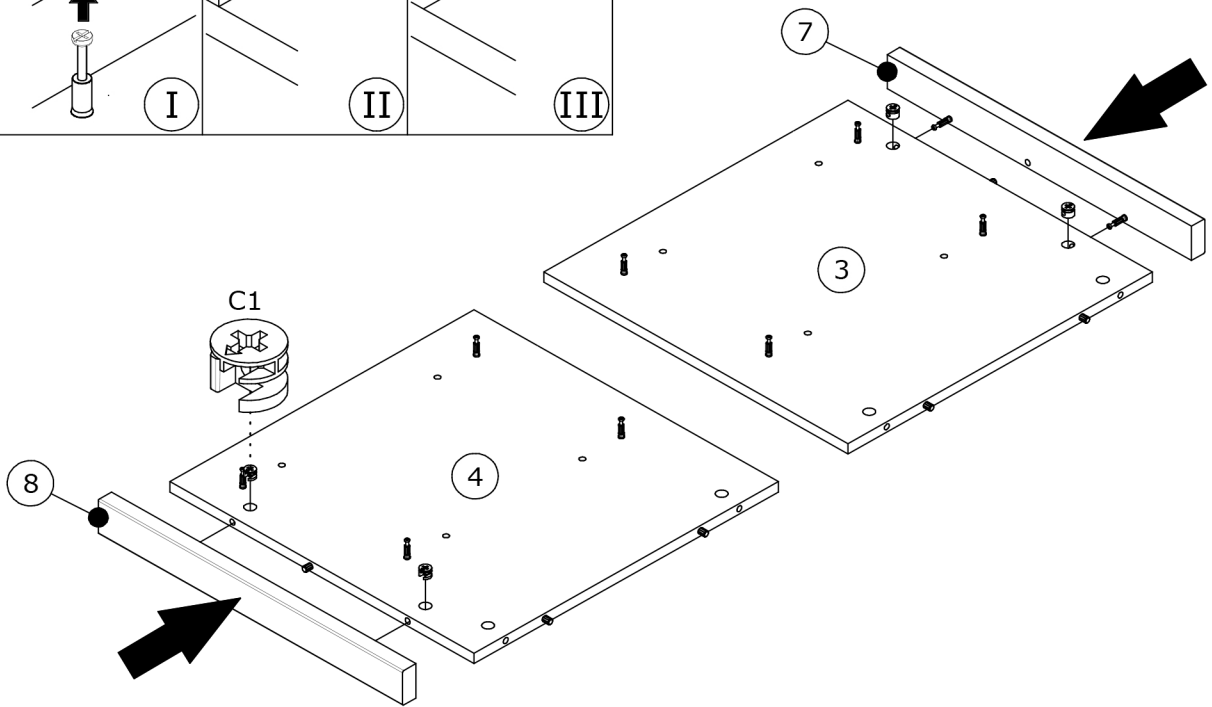
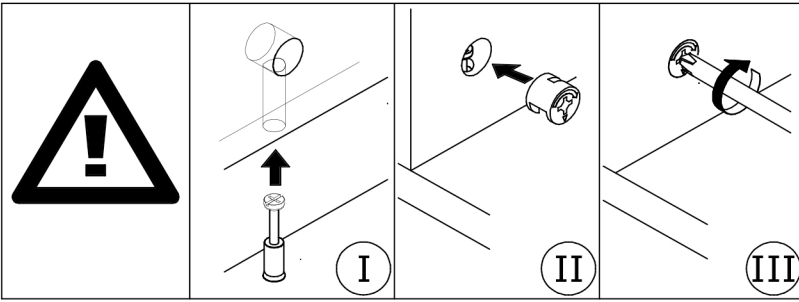
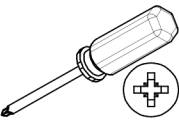
2

B1 x4
Ø5x38mm

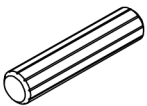


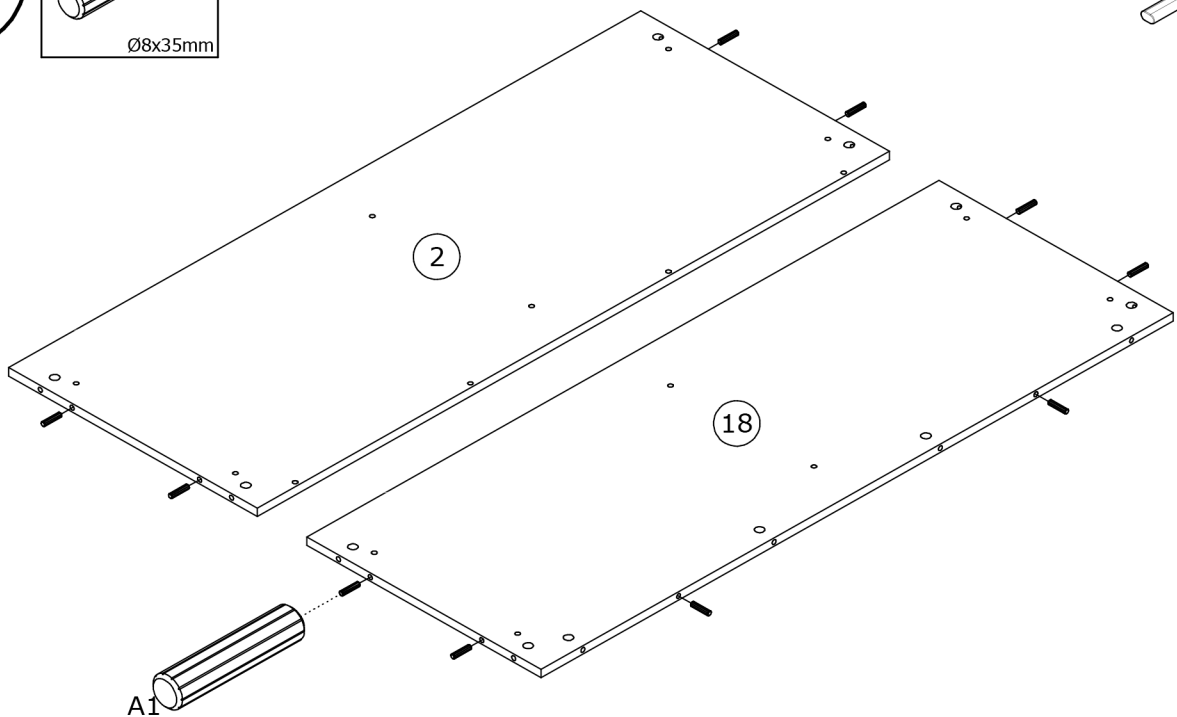
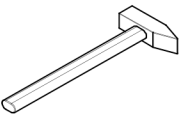
3

C1 x4

Ø15x12mm

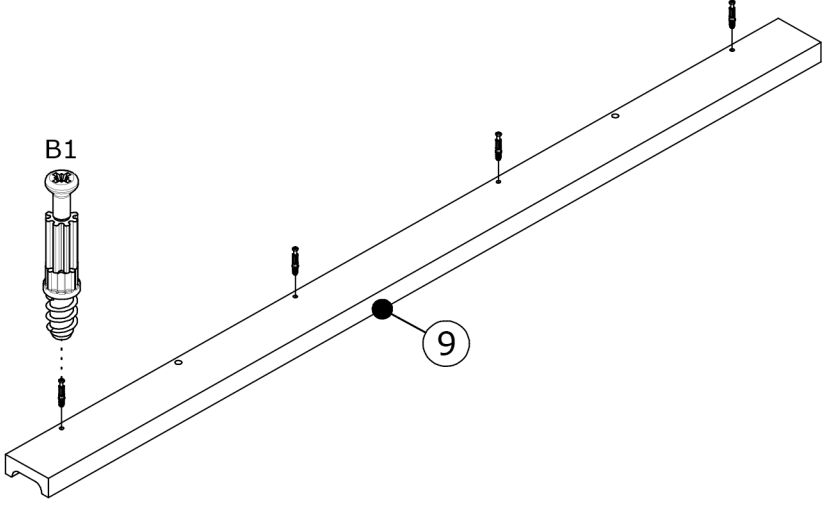
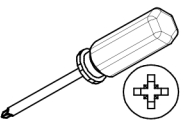
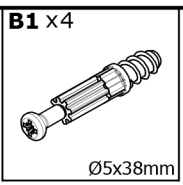


4

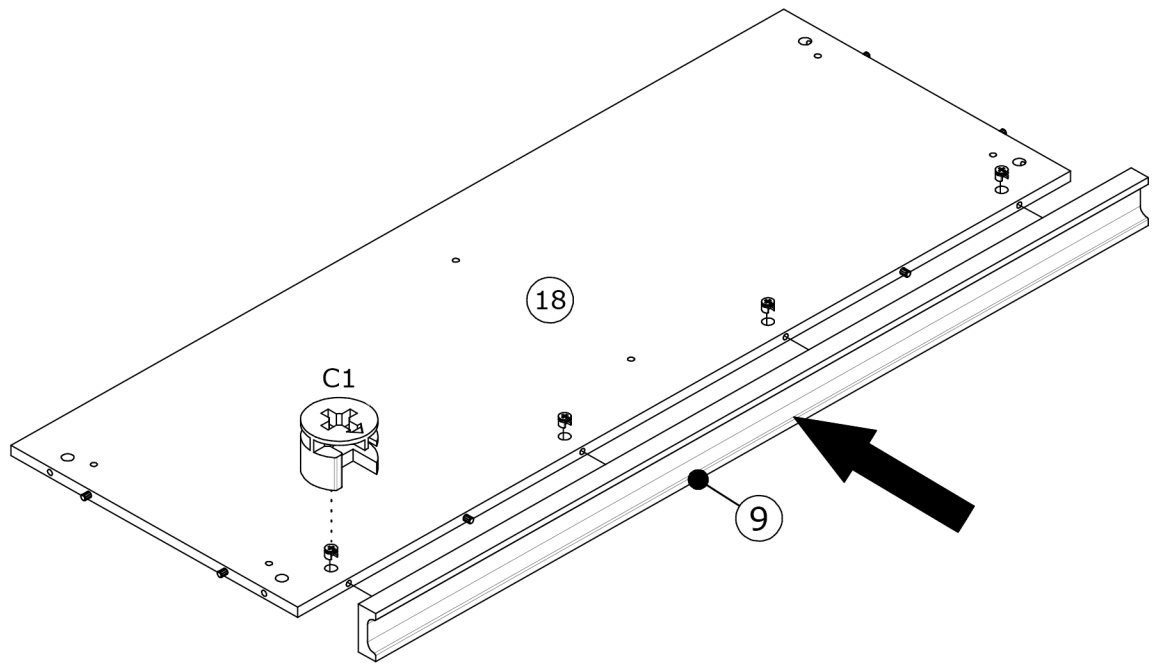
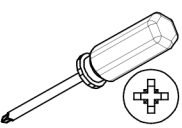
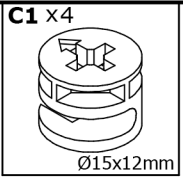
A1 x10

Ø8x35mm



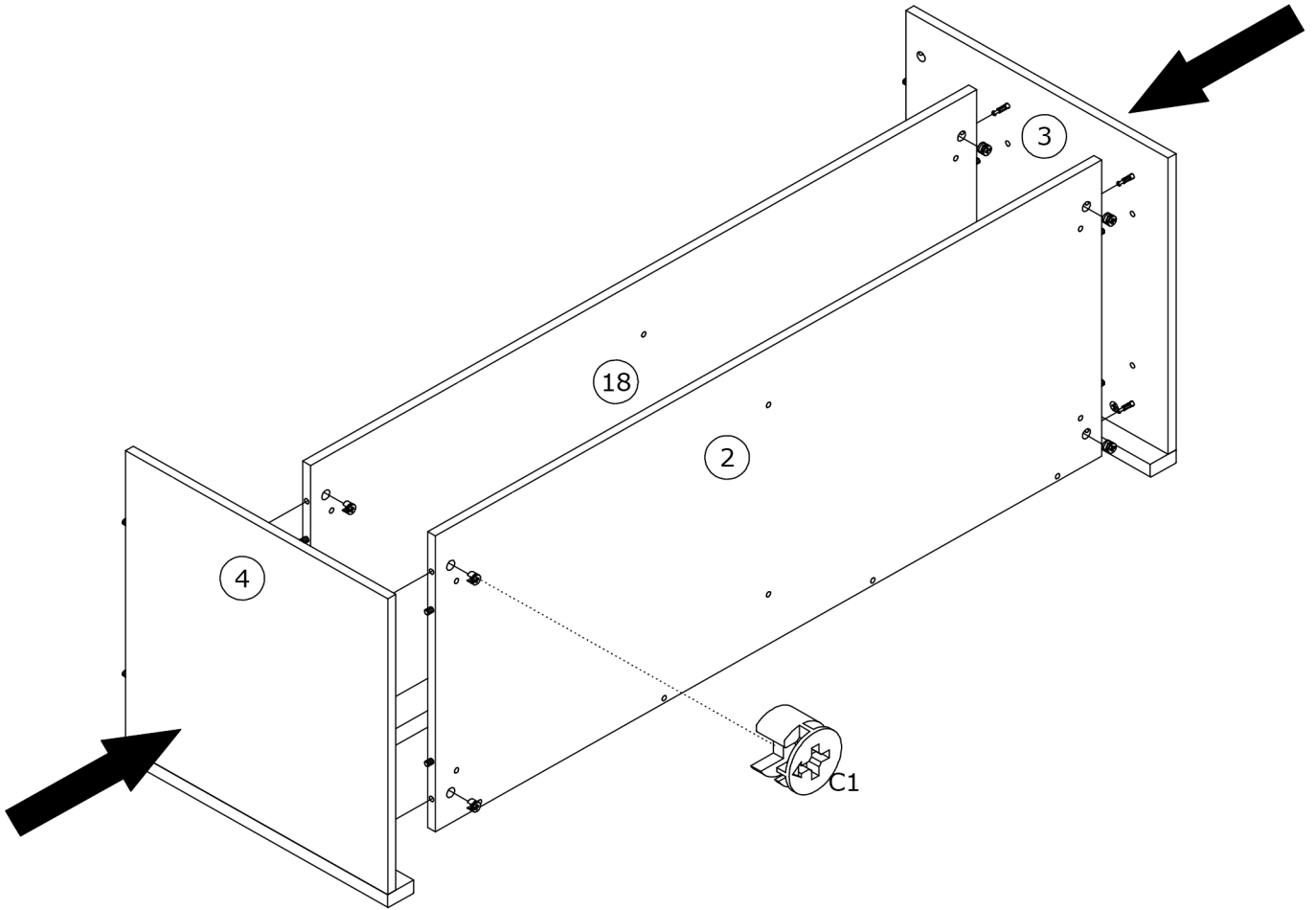
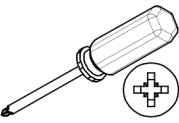
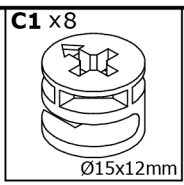
5



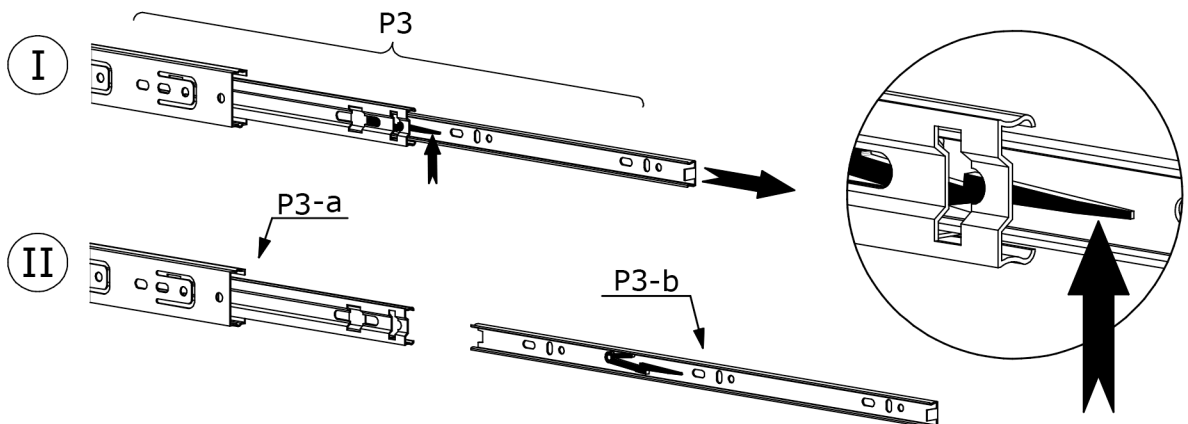
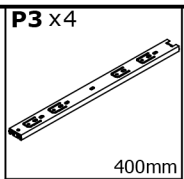
6



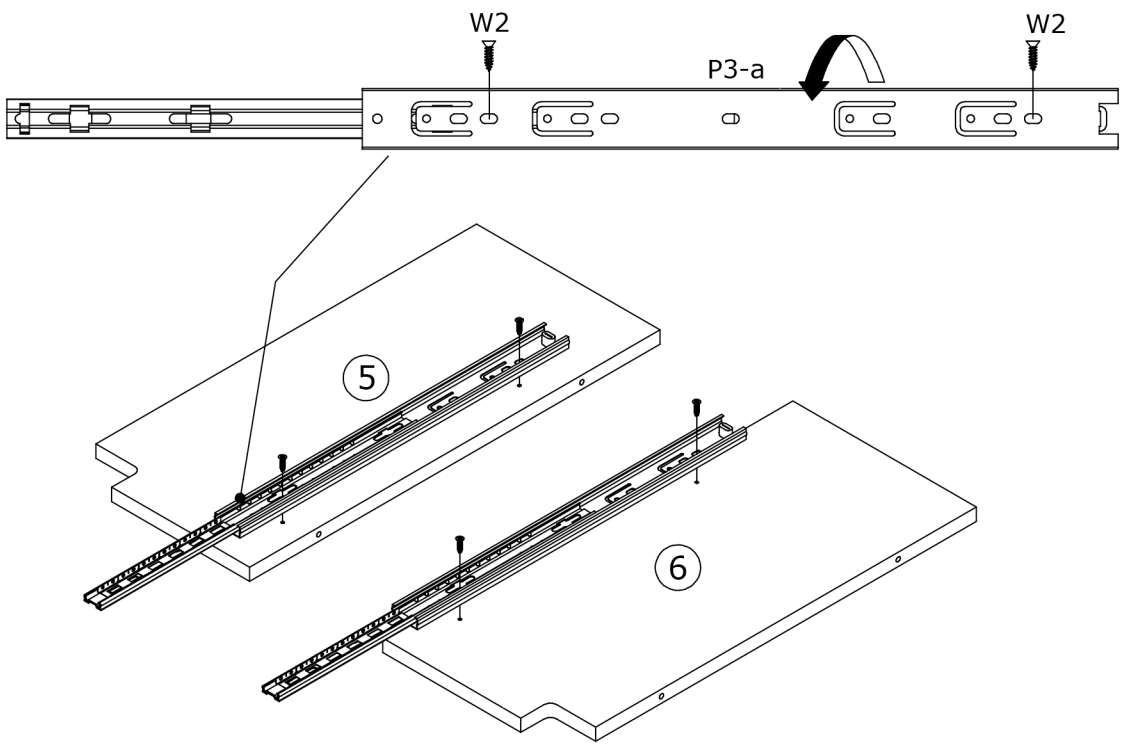
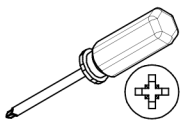
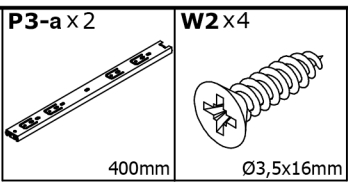
7



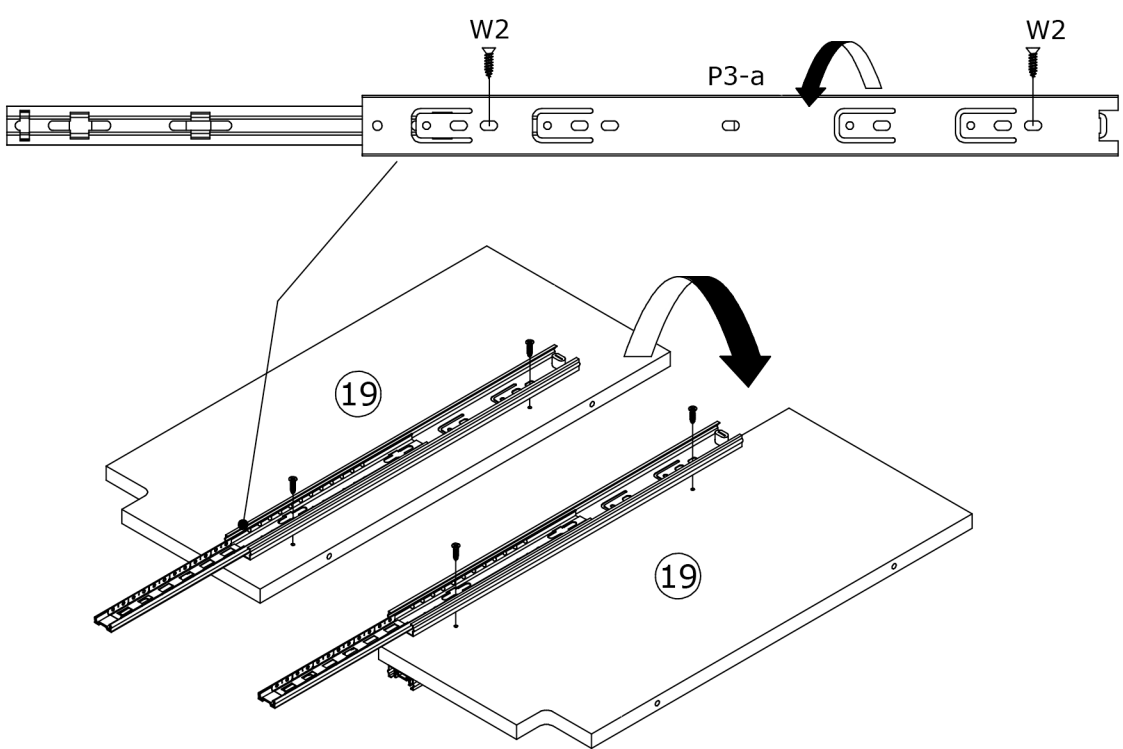
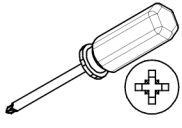
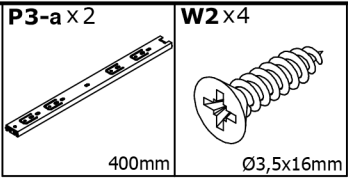
8



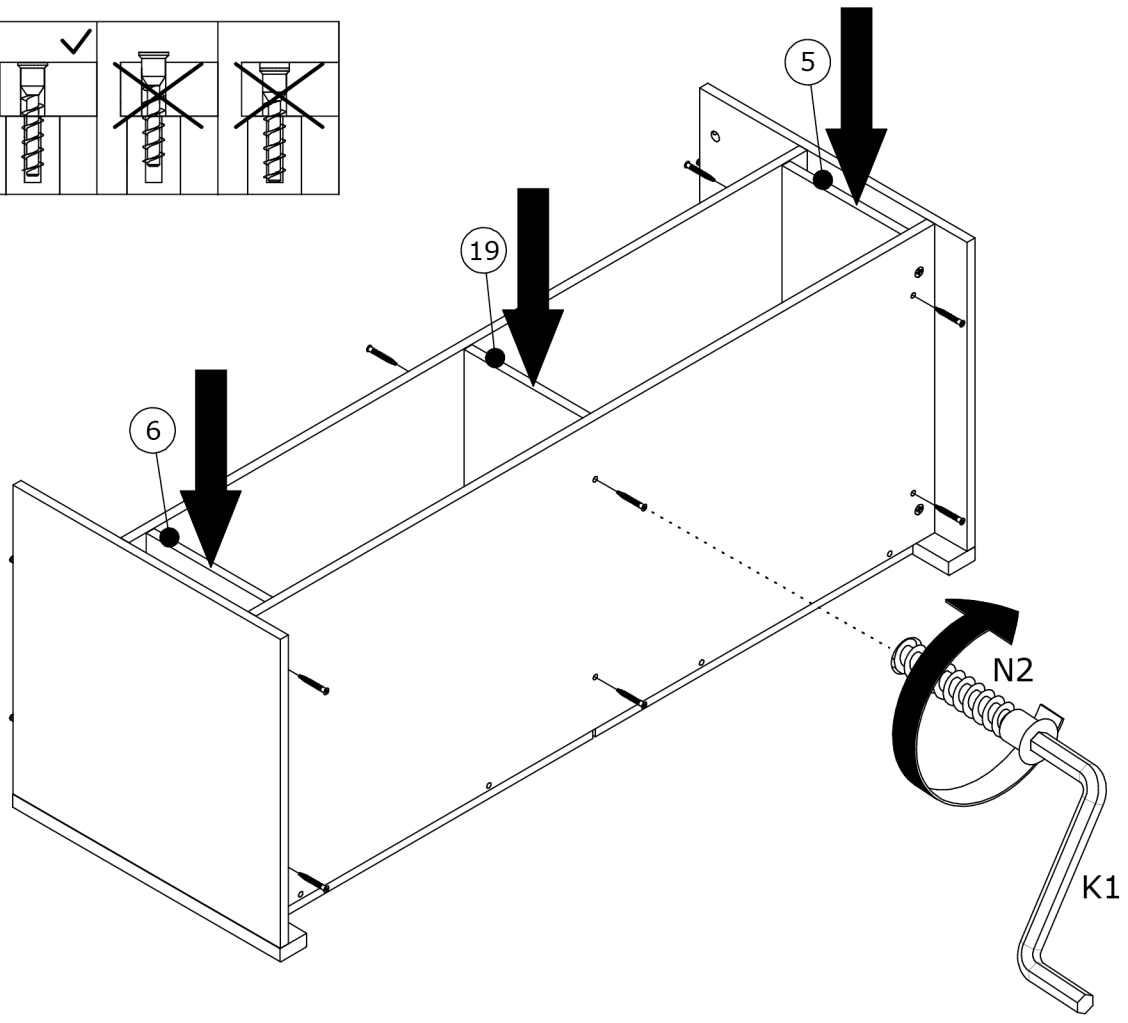
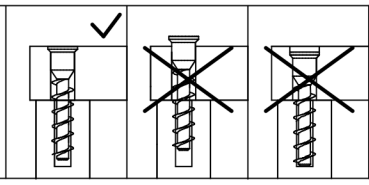
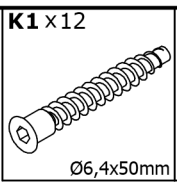
9



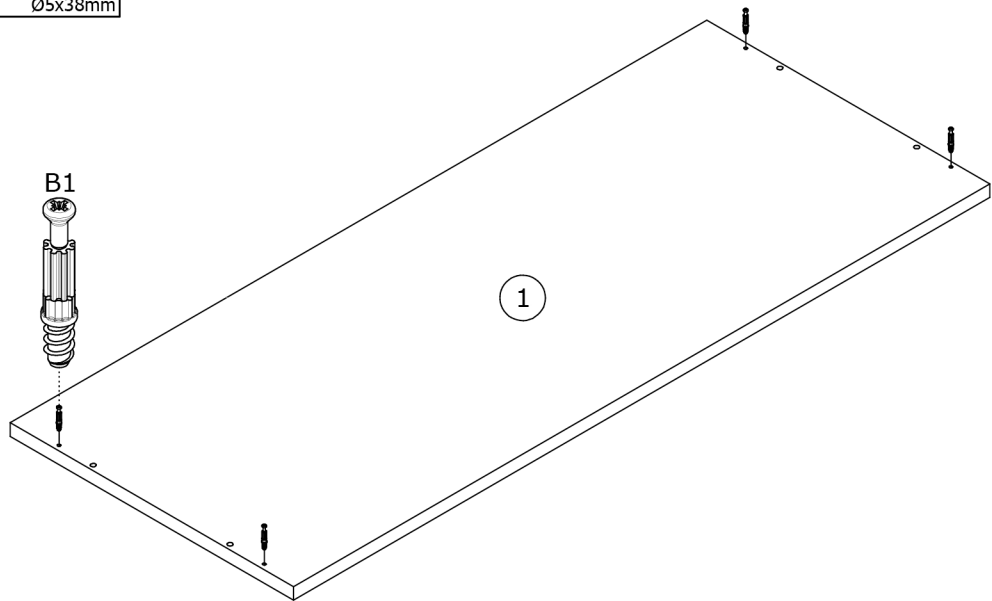
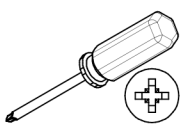
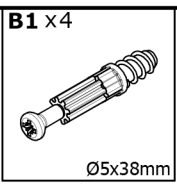
10



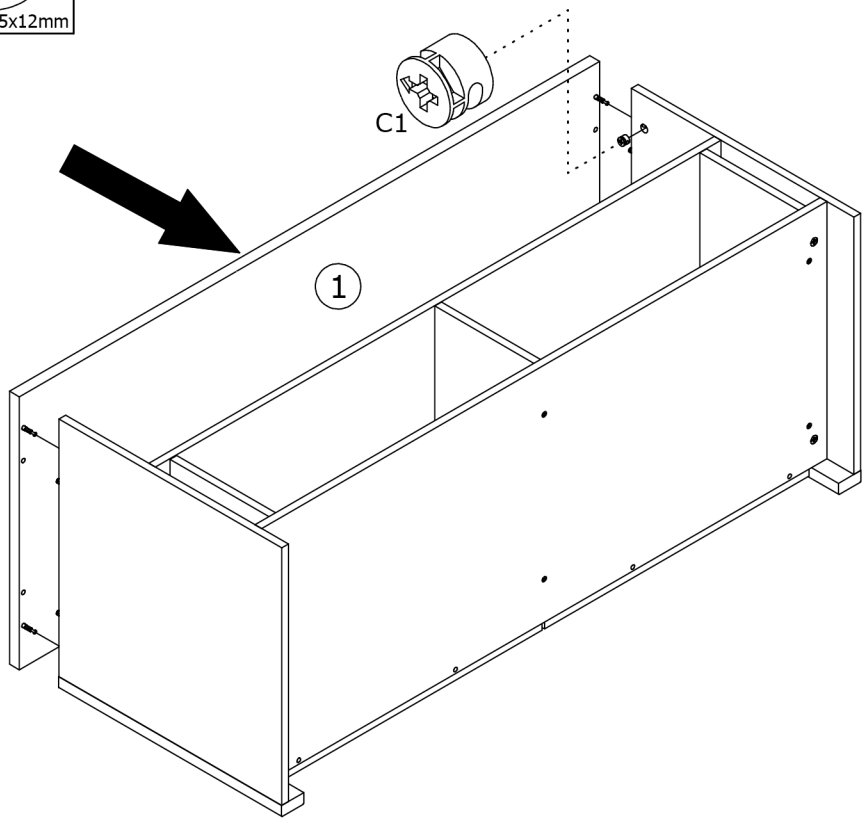
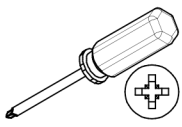
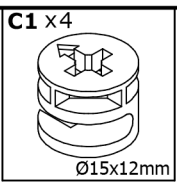
11



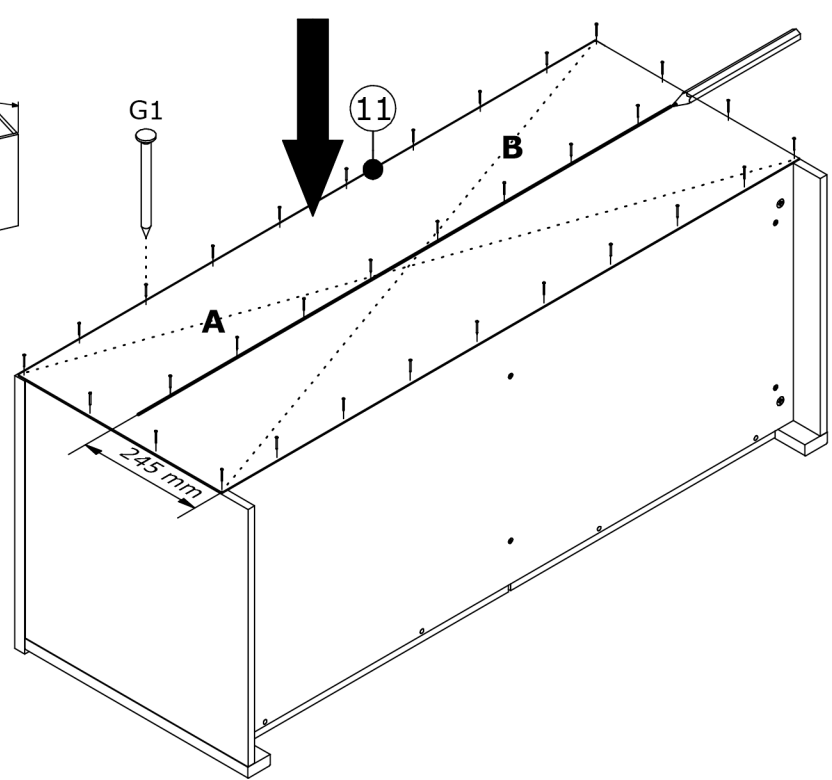
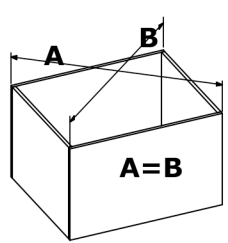
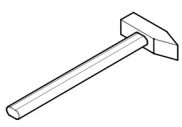
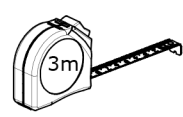
12



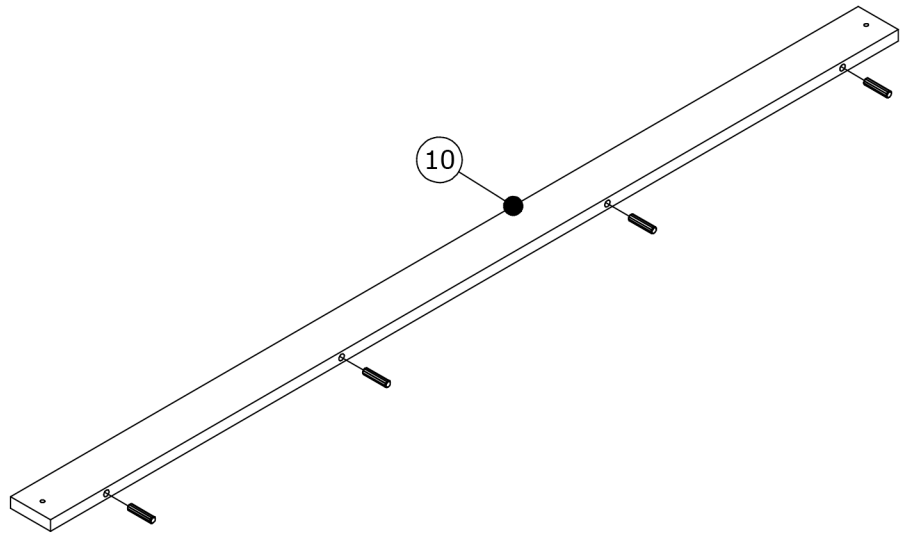
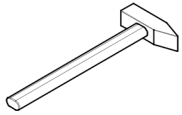
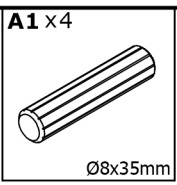
13



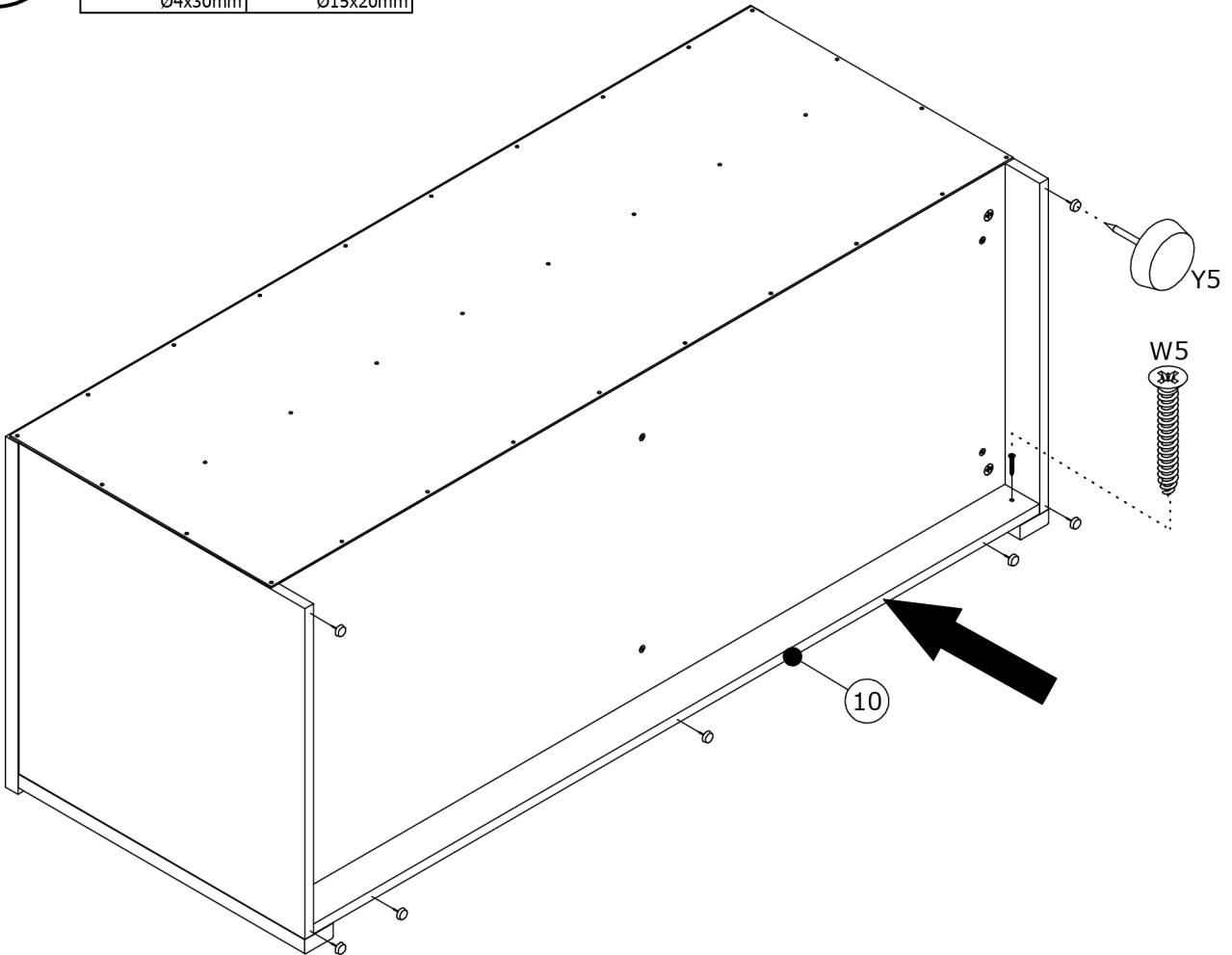
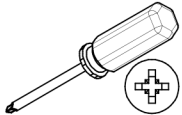
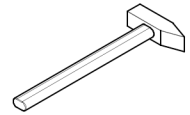
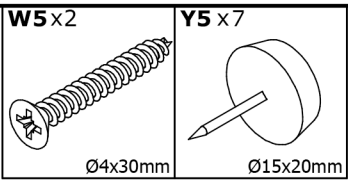
14



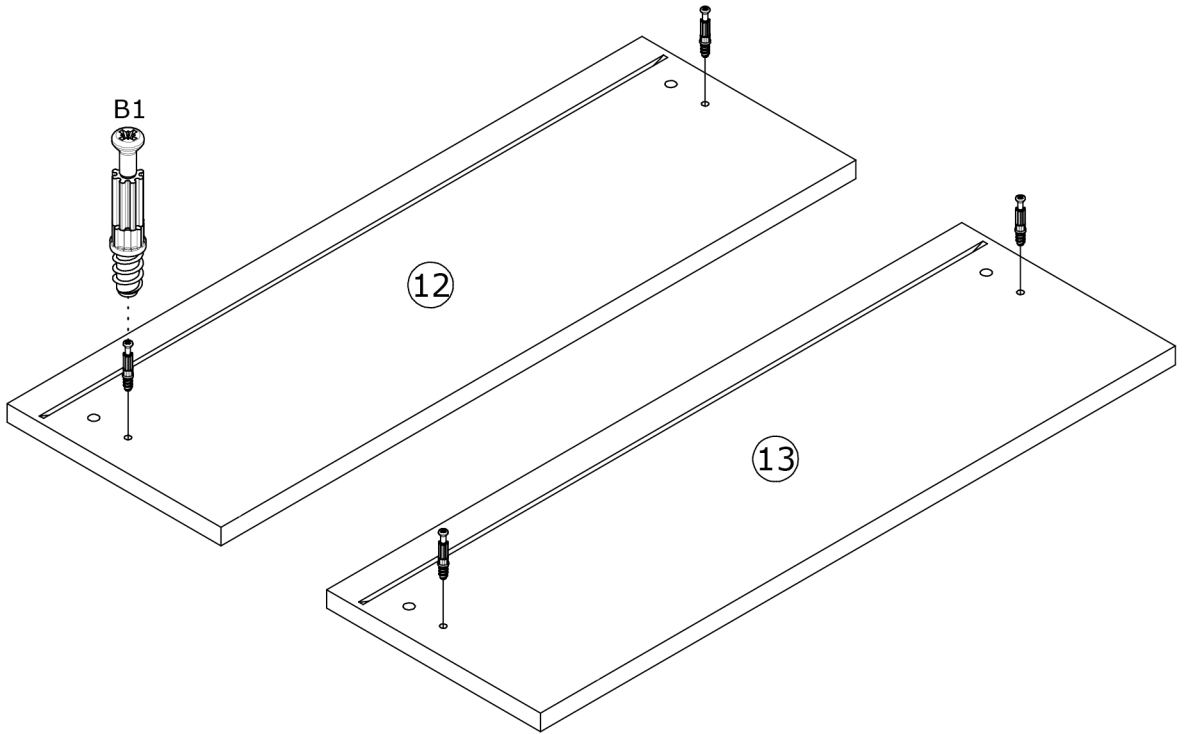
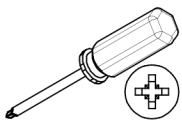
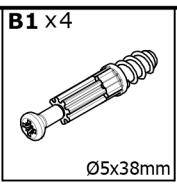
15



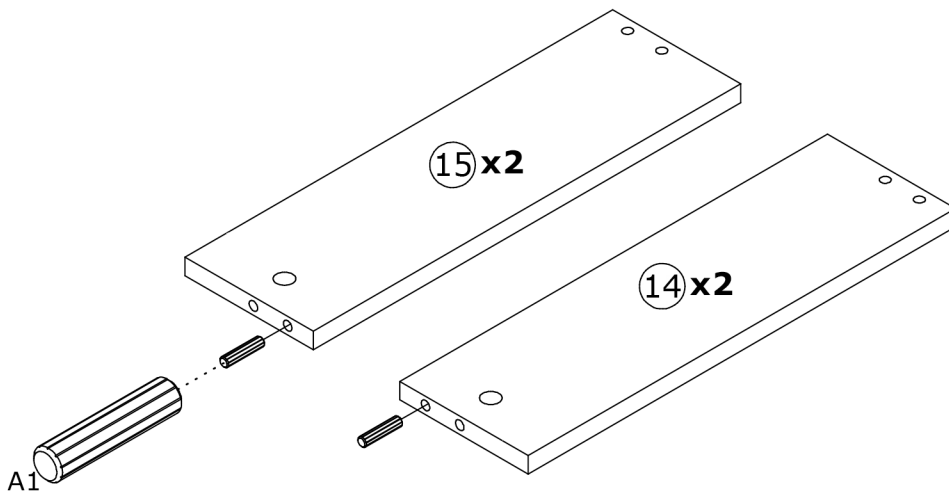
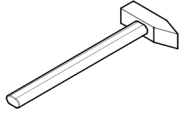
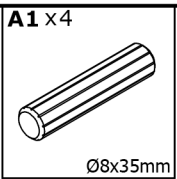
16



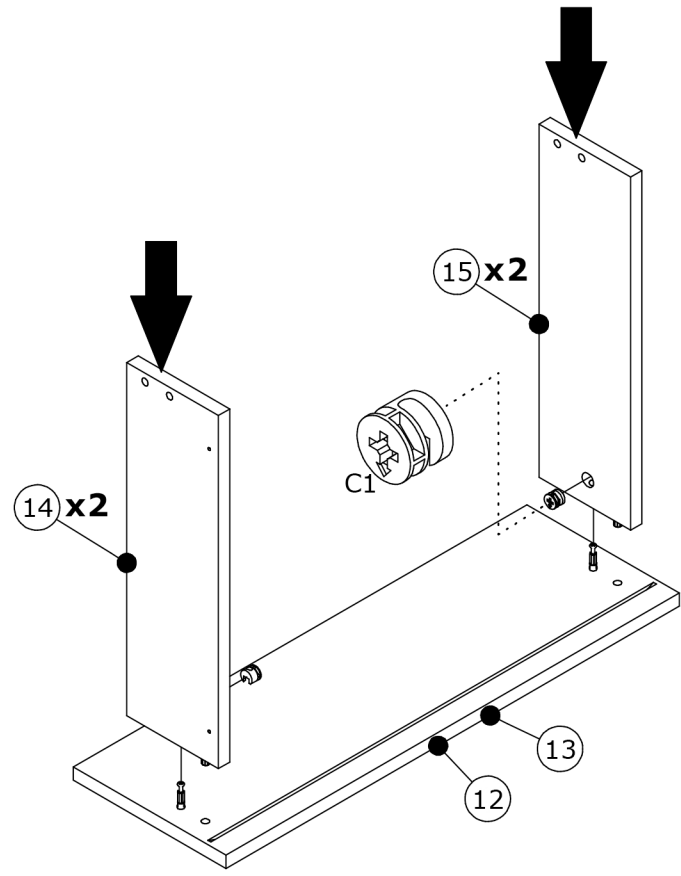
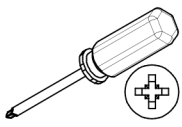
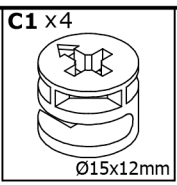
17



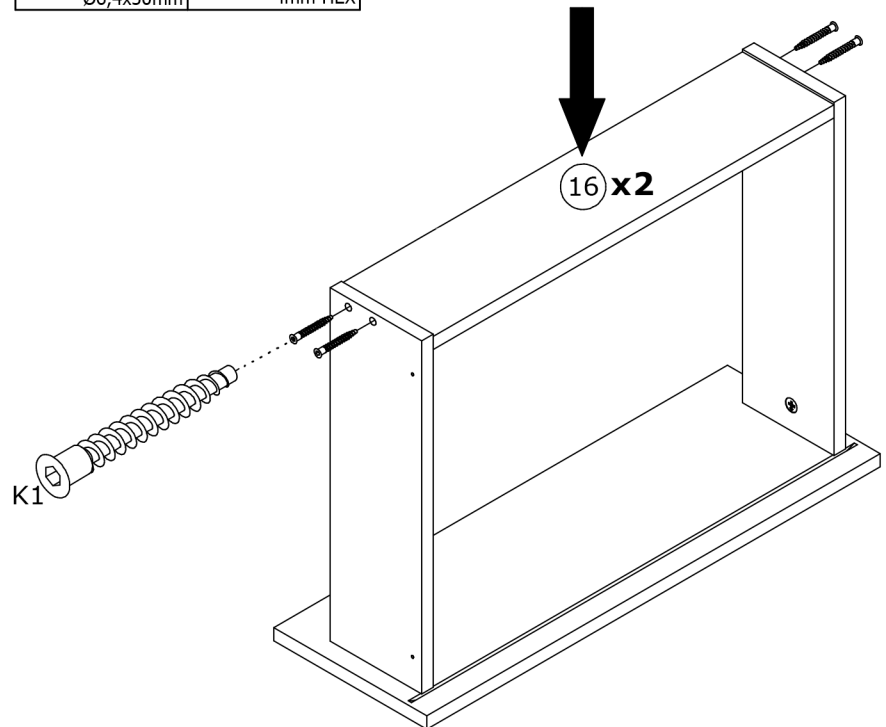
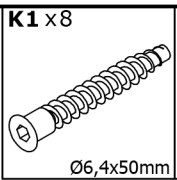
18



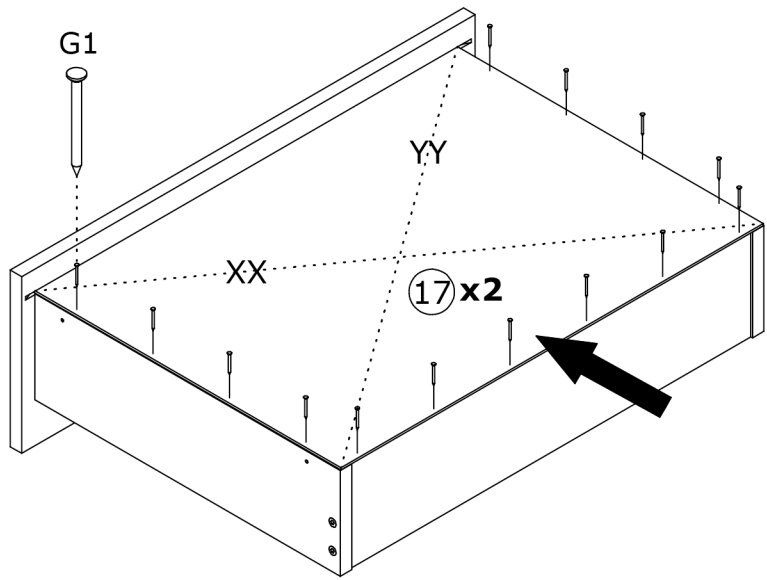
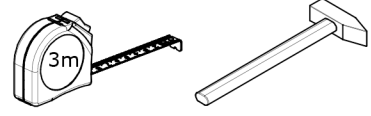
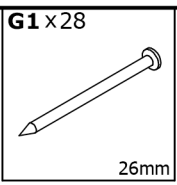
19



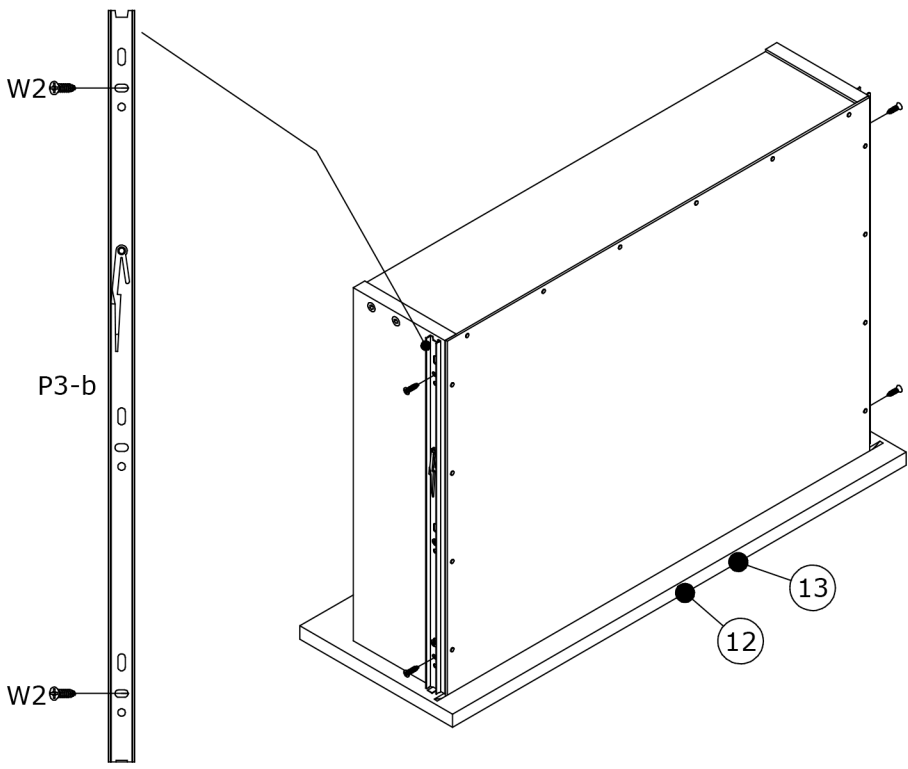
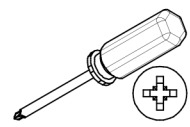
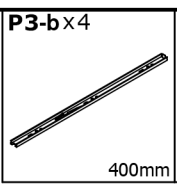
20



21

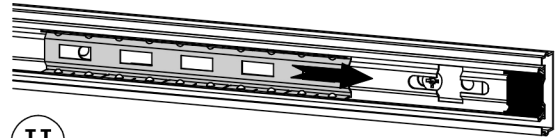


22

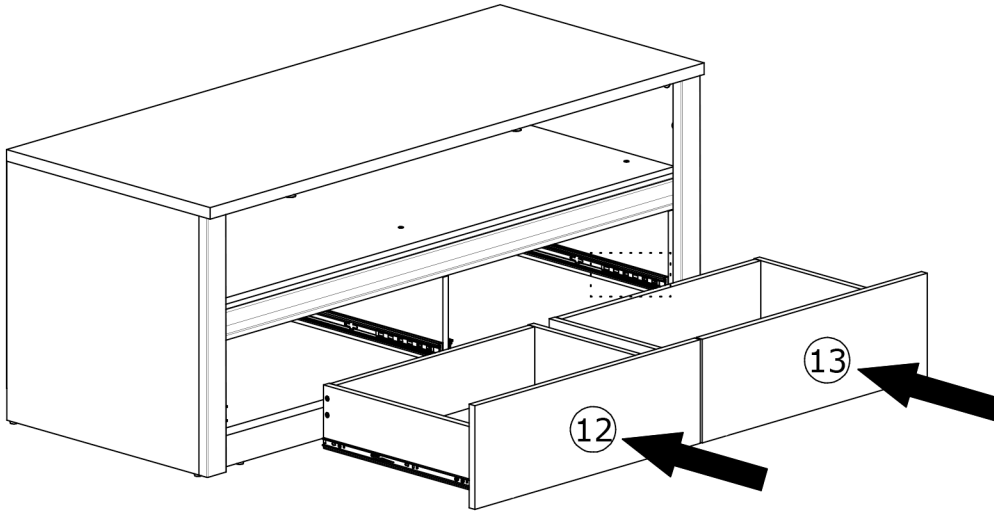
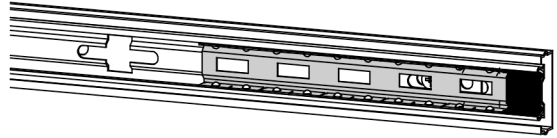


23

I

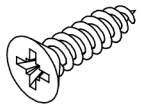


II

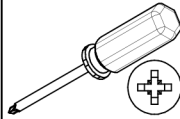


24

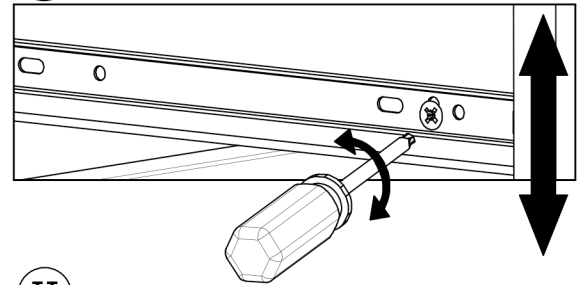
W2x4



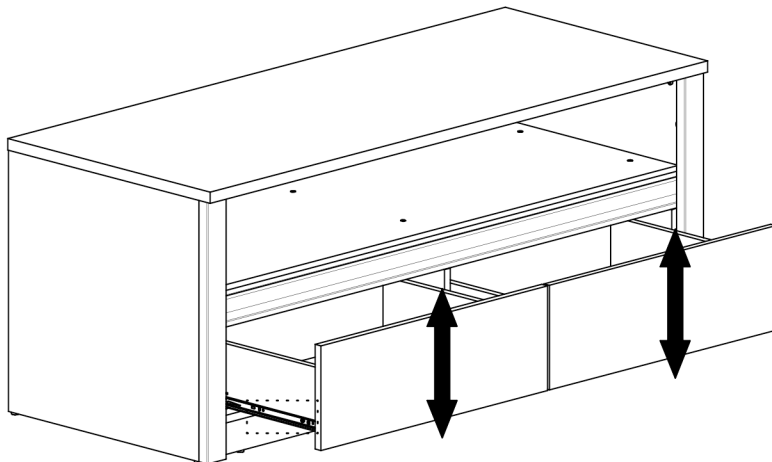
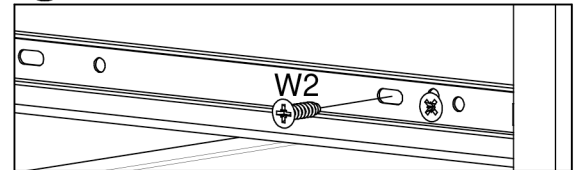
Ø3,5x16mm



I



II



25

J x 16



Ø21mm

Y1 x 4



Ø8x1,5mm

