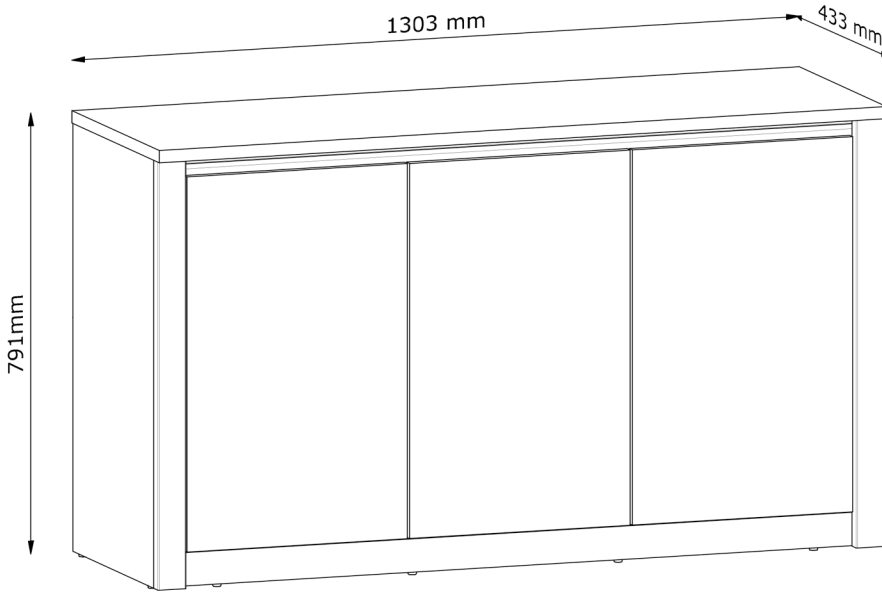
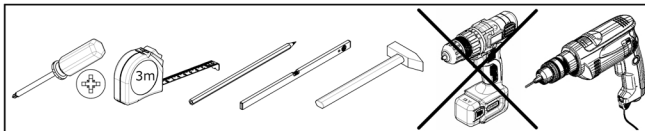
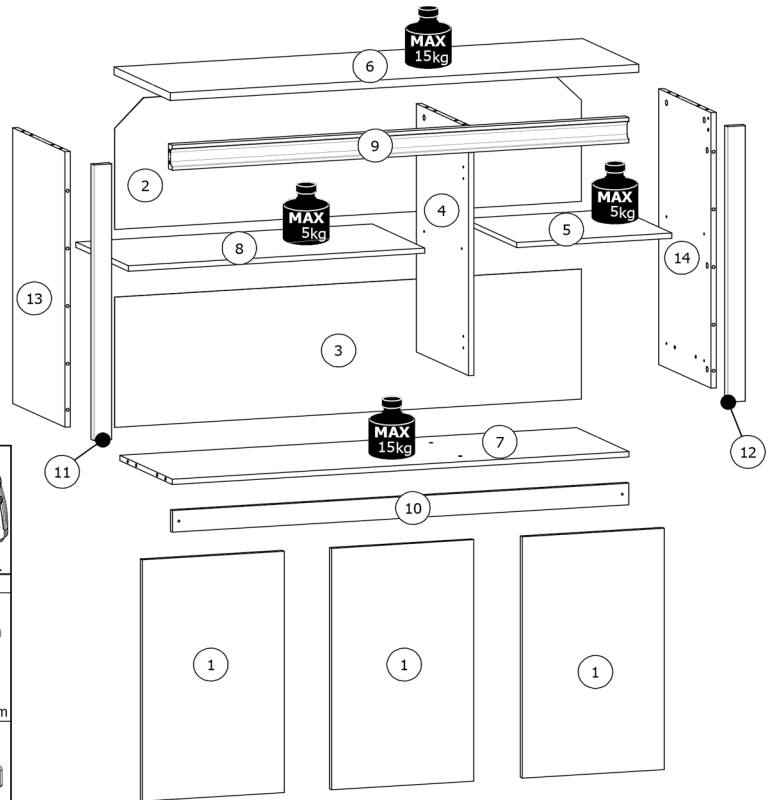


# MONTANA

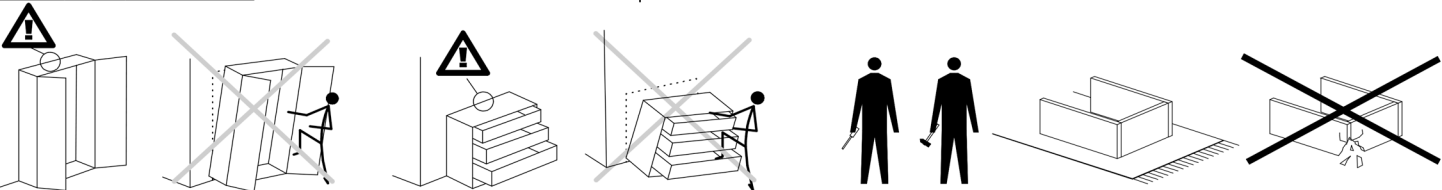
# K3D



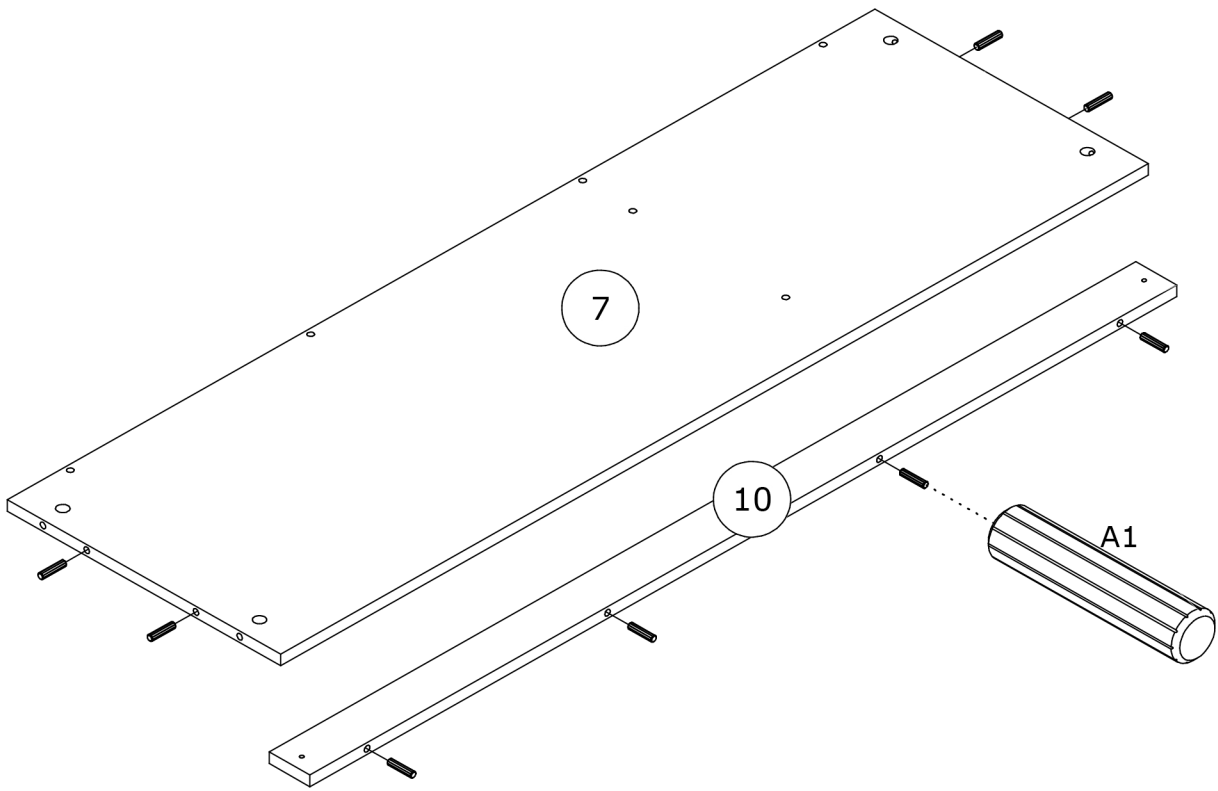
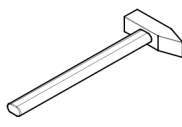
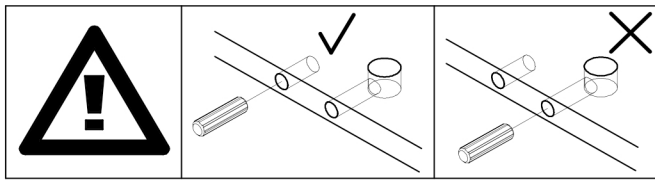
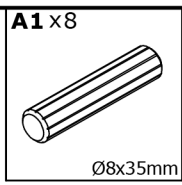
No.	L[mm]	W[mm]	H[mm]	PCS	BOX
1	670	395	15	3	2/2
2	1297	361	2,5	1	1/2
3	1297	361	2,5	1	1/2
4	689	400	15	1	1/2
5	431	400	15	1	1/2
6	1303	430	22	1	1/2
7	1270	400	15	1	1/2
8	824	400	15	1	1/2
9	1270	70	28	1	1/2
10	1269	60	15	1	1/2
11	765	50	22	1	2/2
12	765	50	22	1	2/2
13	765	400	15	1	2/2
14	765	400	15	1	2/2



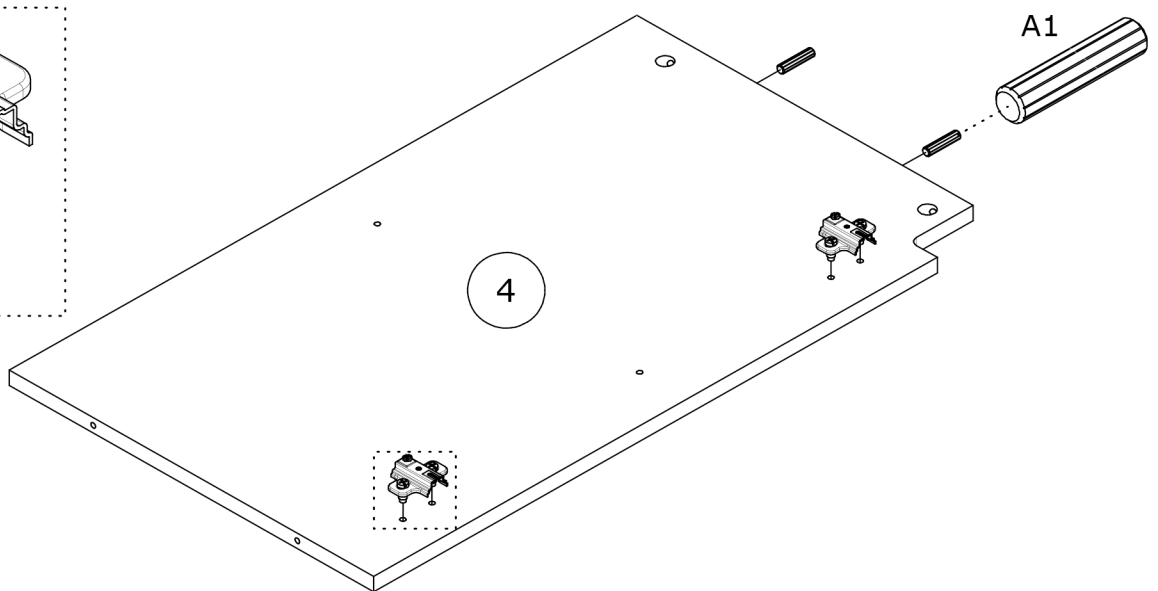
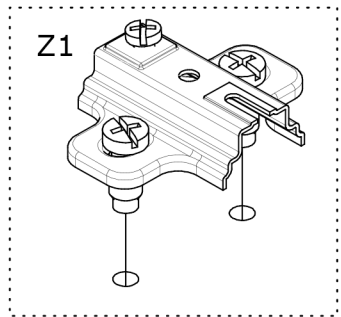
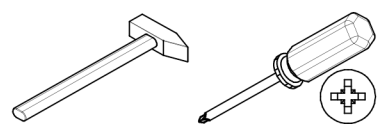
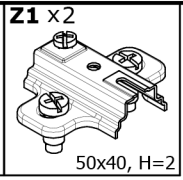
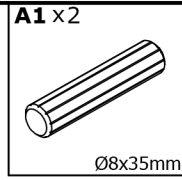
<b>A1</b> x20 Ø8x35mm	<b>B1</b> x18 Ø5x38mm	<b>C1</b> x18 Ø15x12mm	<b>E1</b> x8 Ø5x16mm	<b>G1</b> x38 26mm
<b>H8</b> x1 1295mm	<b>J</b> x10 Ø21mm	<b>K1</b> x2 Ø6,4x50mm	<b>N2</b> x1 4mm HEX	<b>T4</b> x2 75x28x16 mm
<b>W2</b> x16 Ø3,5x16mm	<b>W5</b> x2 Ø4x30mm	<b>Y1</b> x6 Ø8x1,5mm	<b>Y5</b> x8 Ø15x20mm	<b>Z1</b> x2 50x40, H=2
<b>Z3</b> x2 Ø35, ZK0	<b>Z6</b> x4 Ø35mm, 90°			



**1**

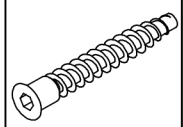


**2**



3

K1 x 2

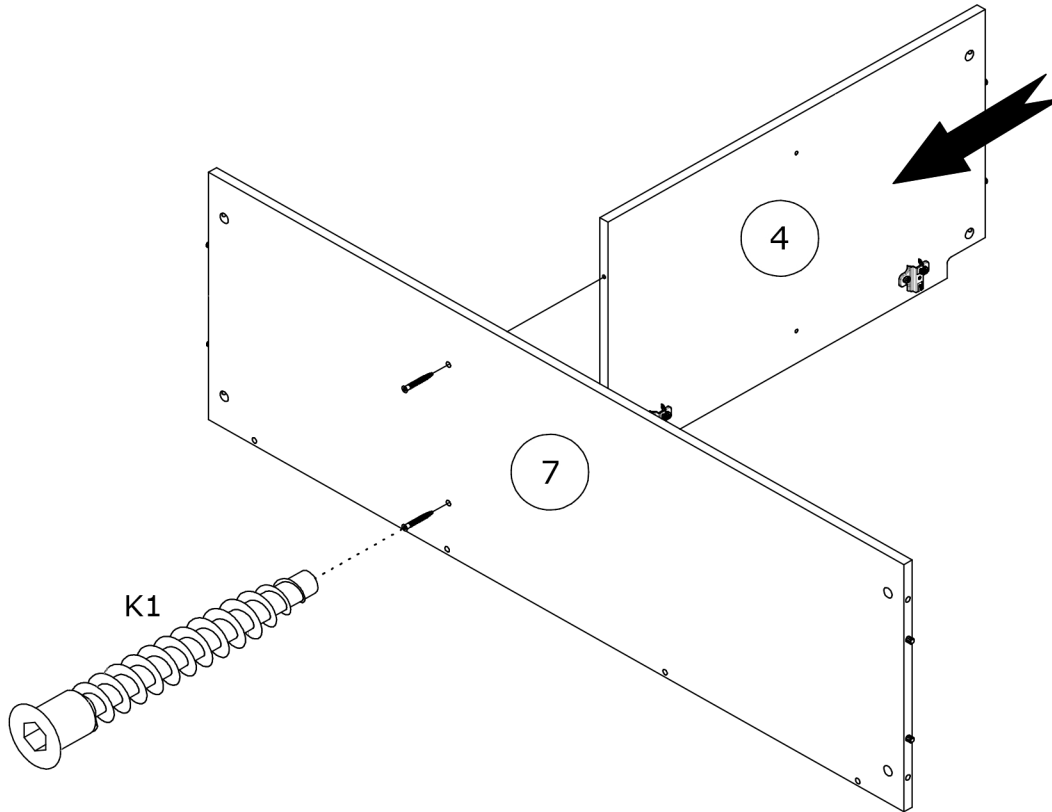
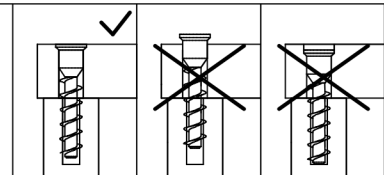
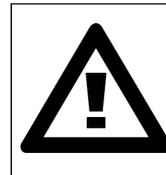


Ø6,4x50mm

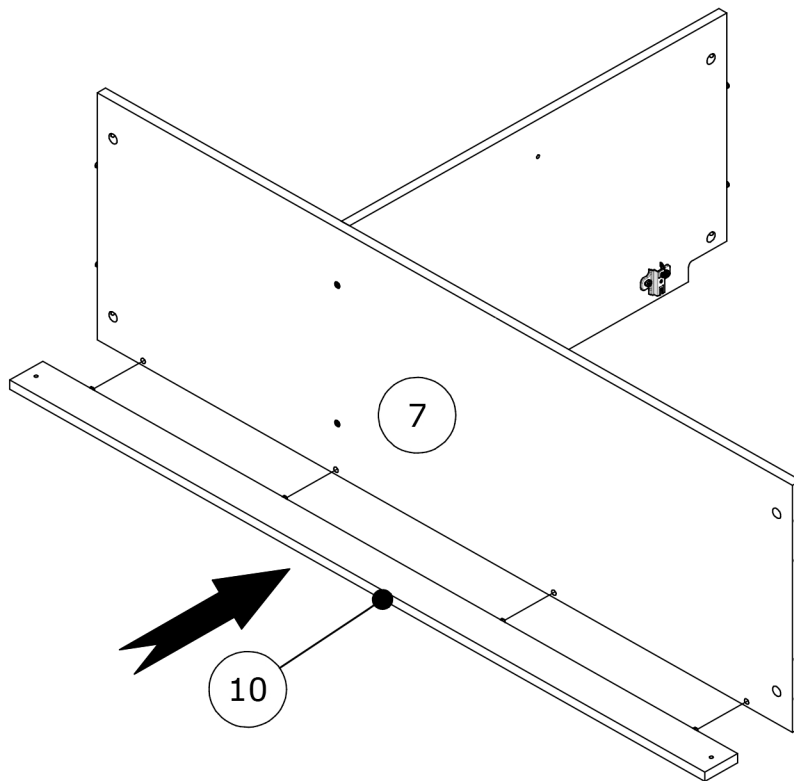
N2 x 1



4mm HEX



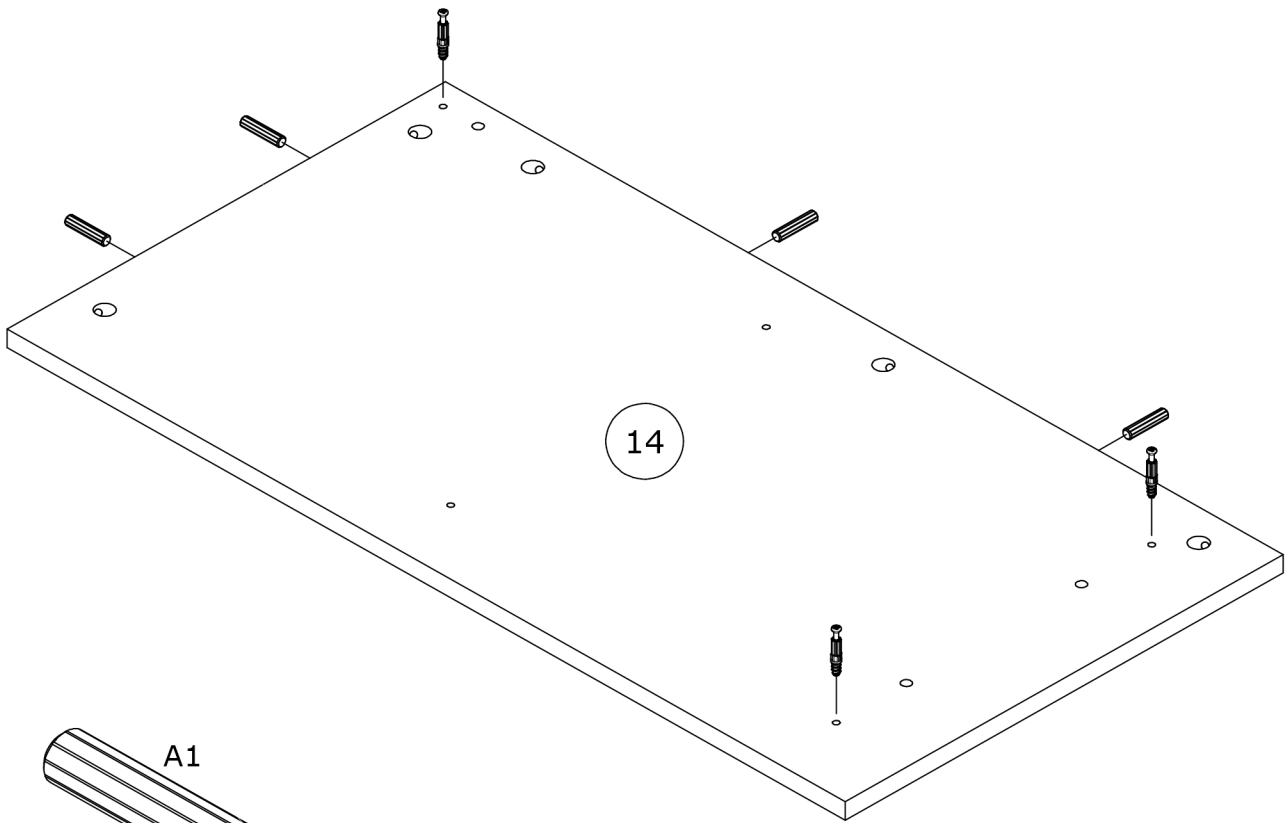
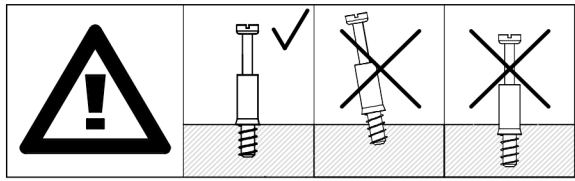
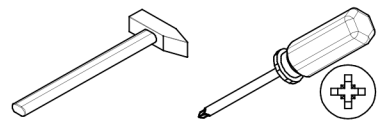
4



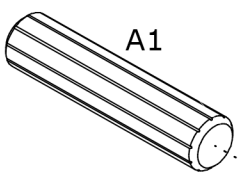
5

A1 x8  
Ø8x35mm

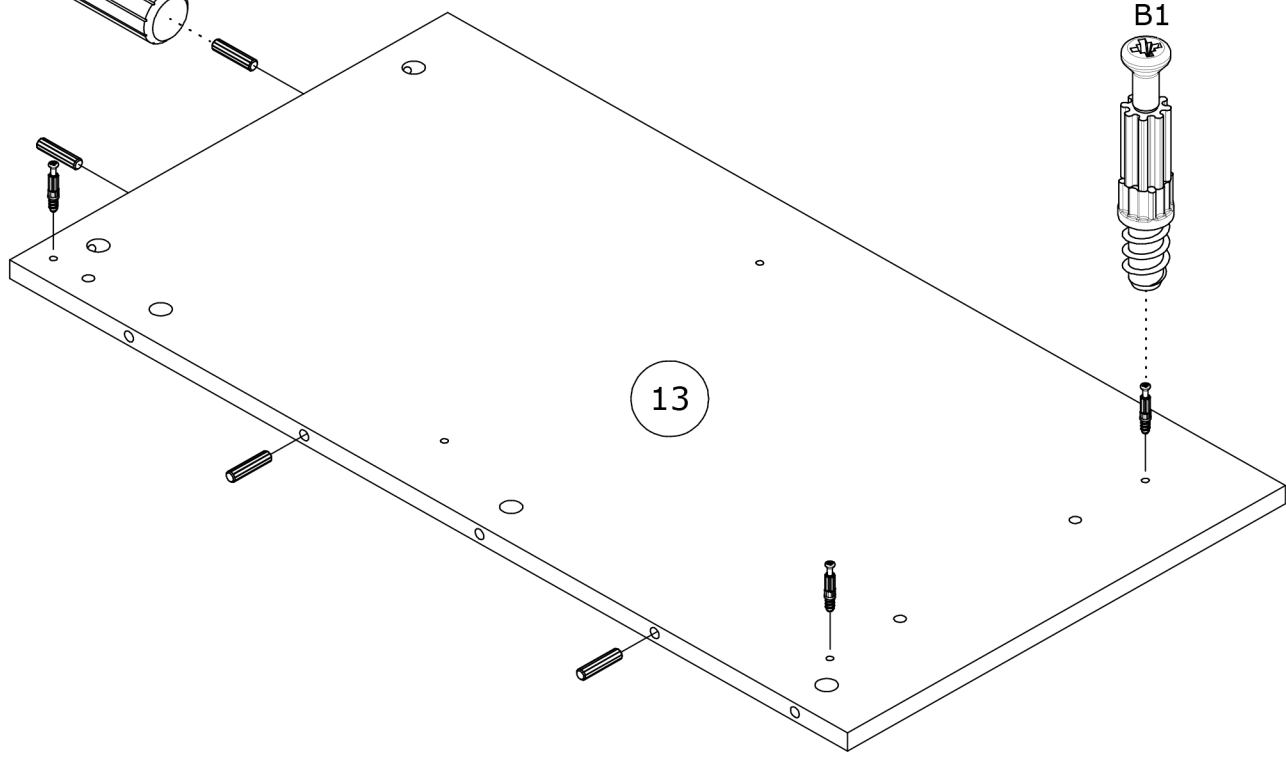
B1 x6  
Ø5x38mm



14



A1



13



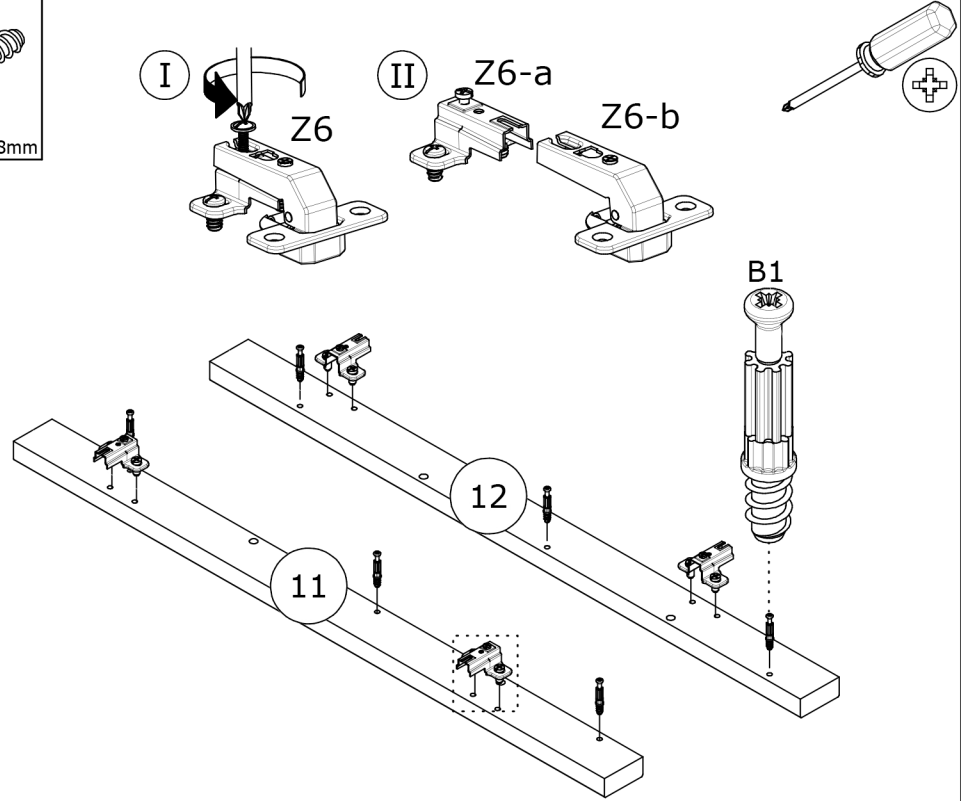
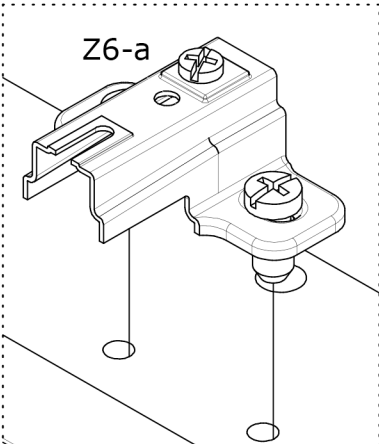
B1



**6**

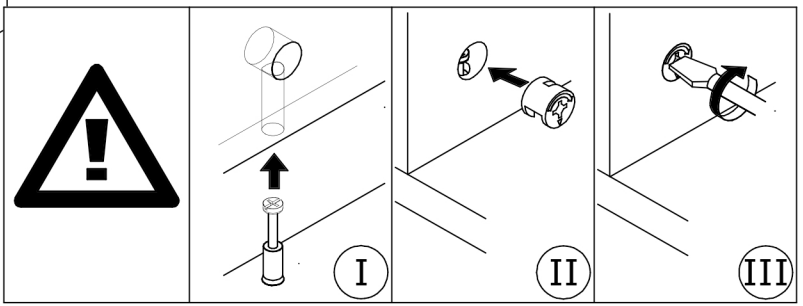
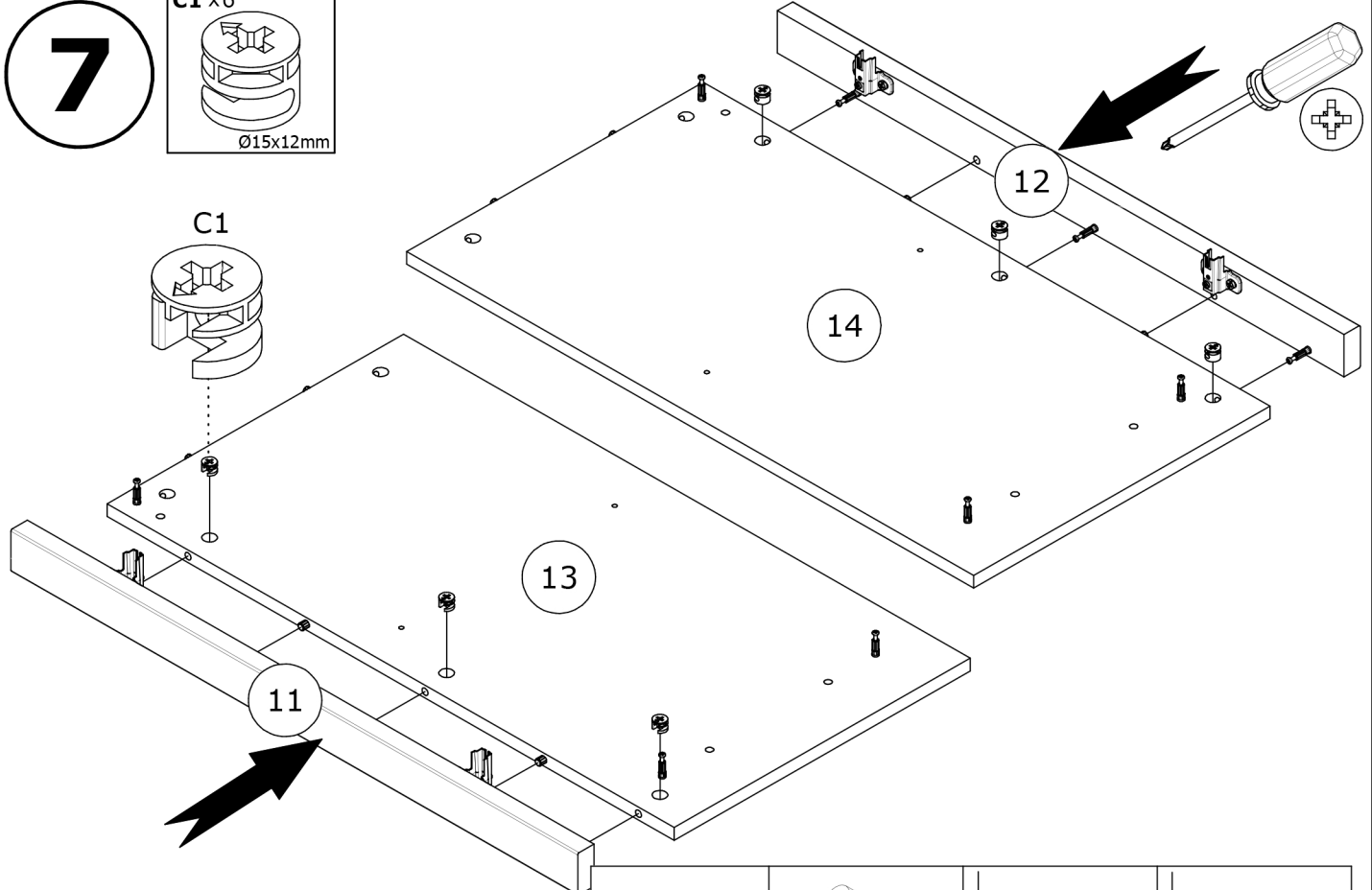
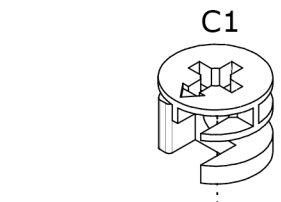
**Z6 x 4**  
Ø35mm, 90°

**B1 x 6**  
Ø5x38mm



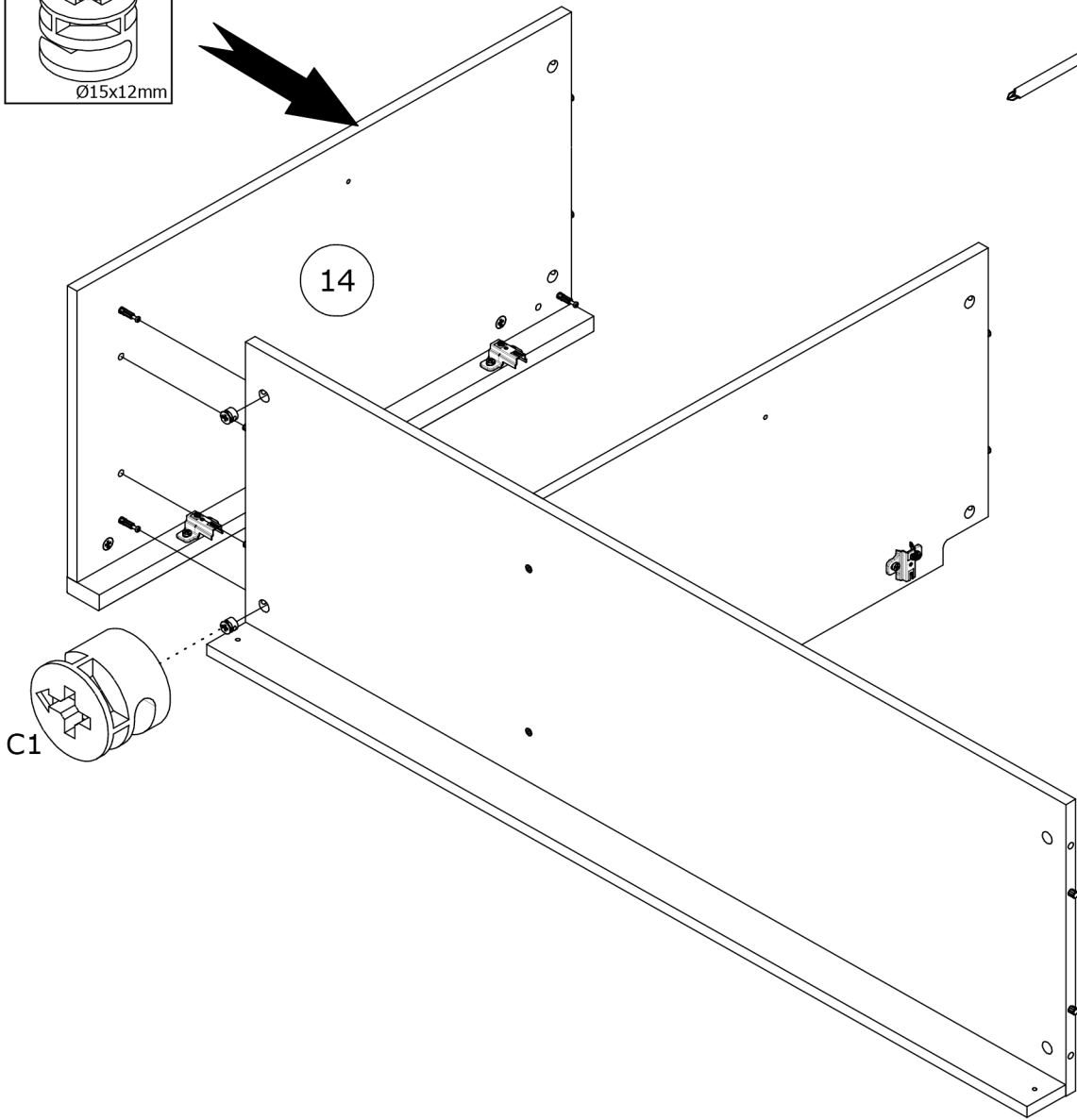
**7**

**C1 x 6**  
Ø15x12mm



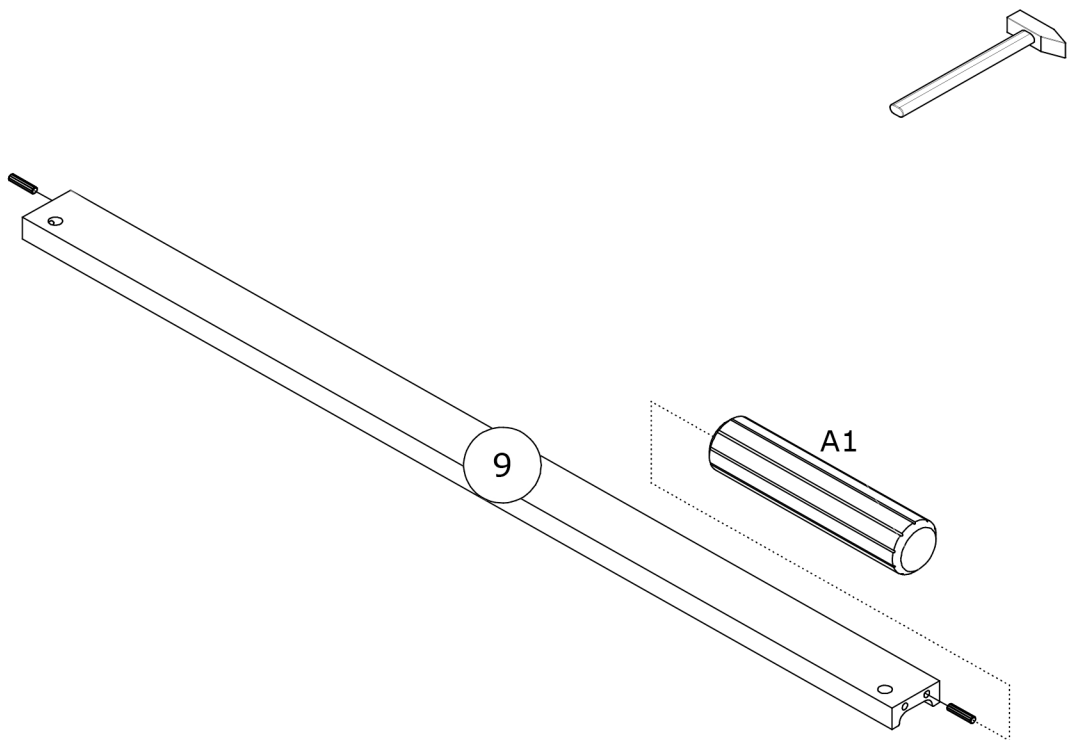
8

C1 x2  
Ø15x12mm

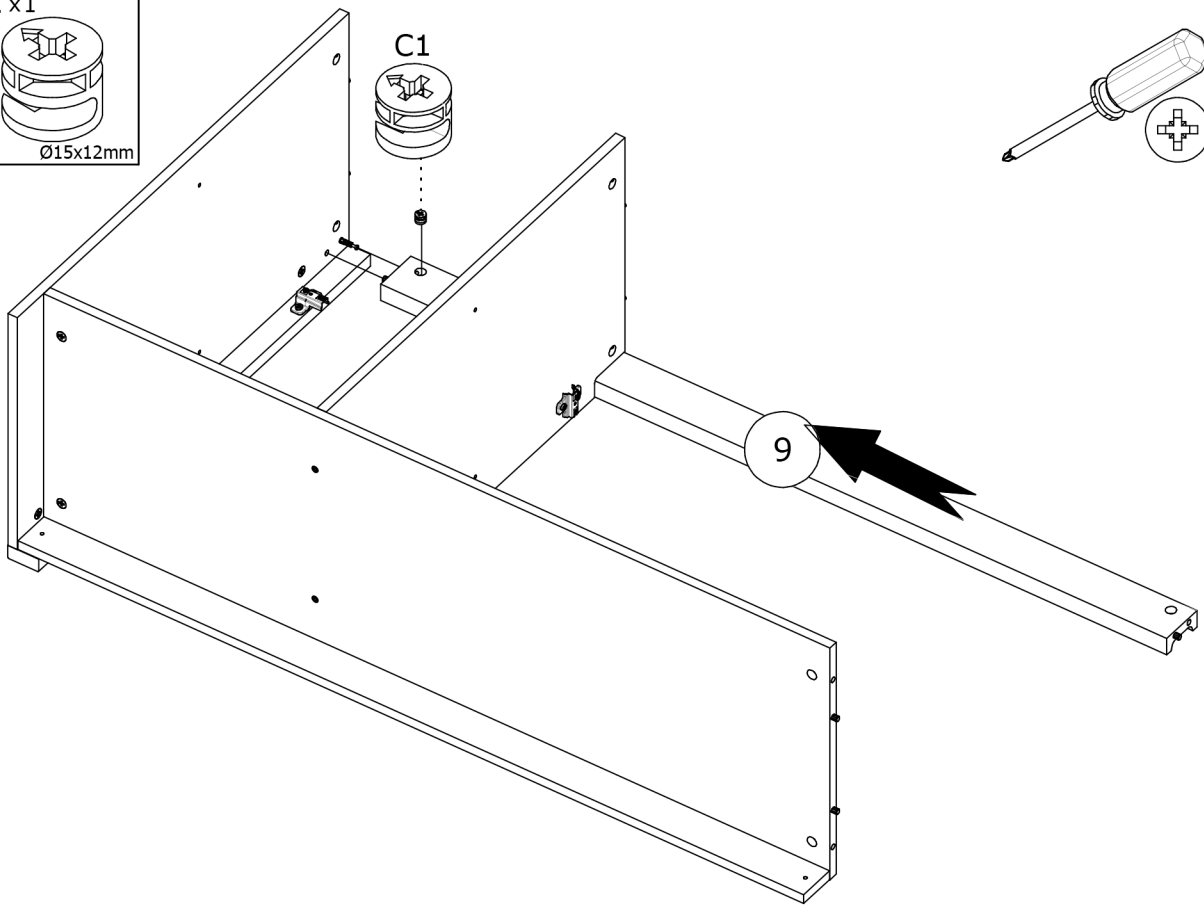
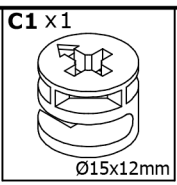


9

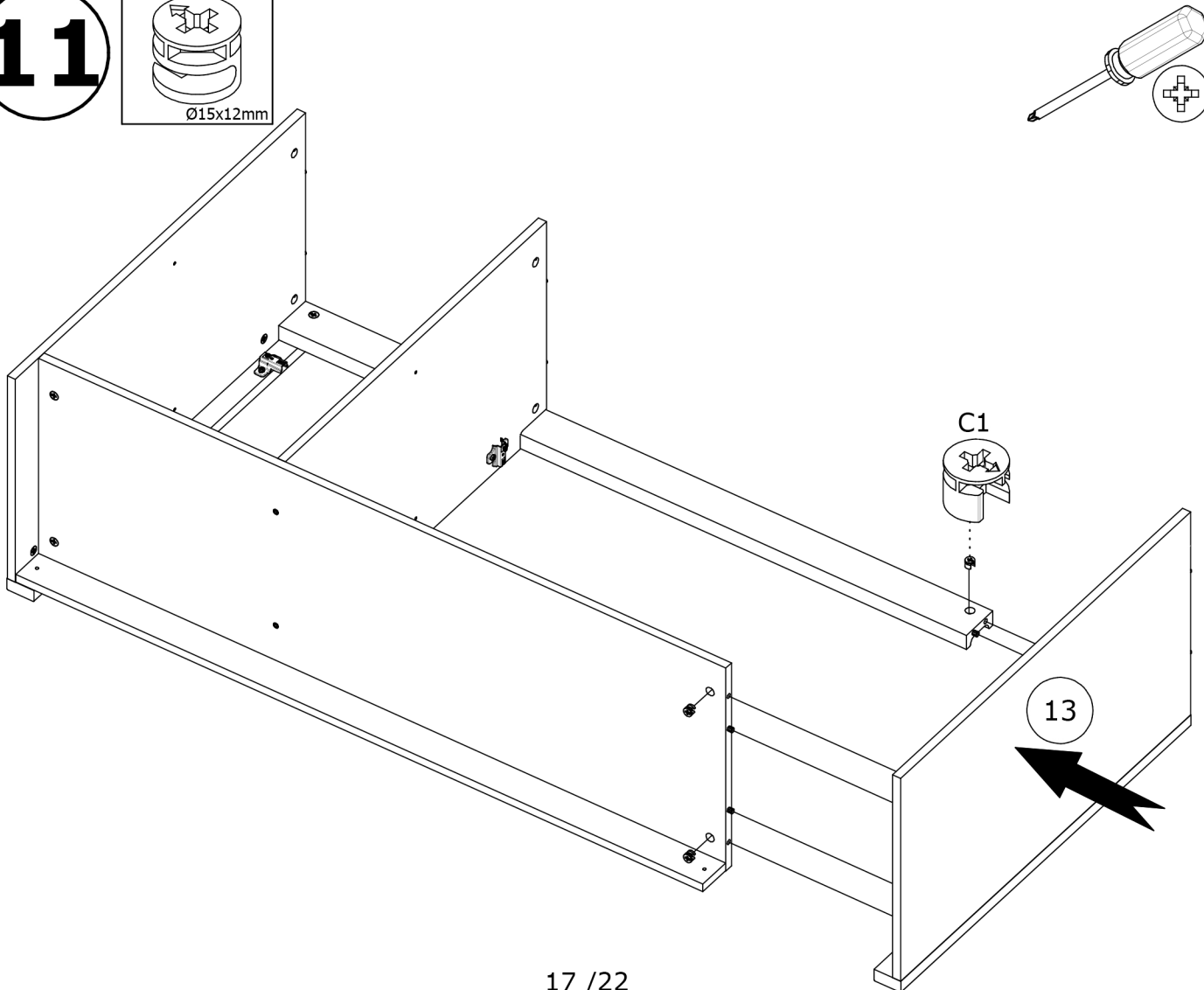
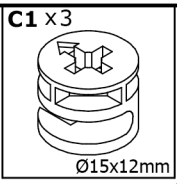
A1 x2  
Ø8x35mm



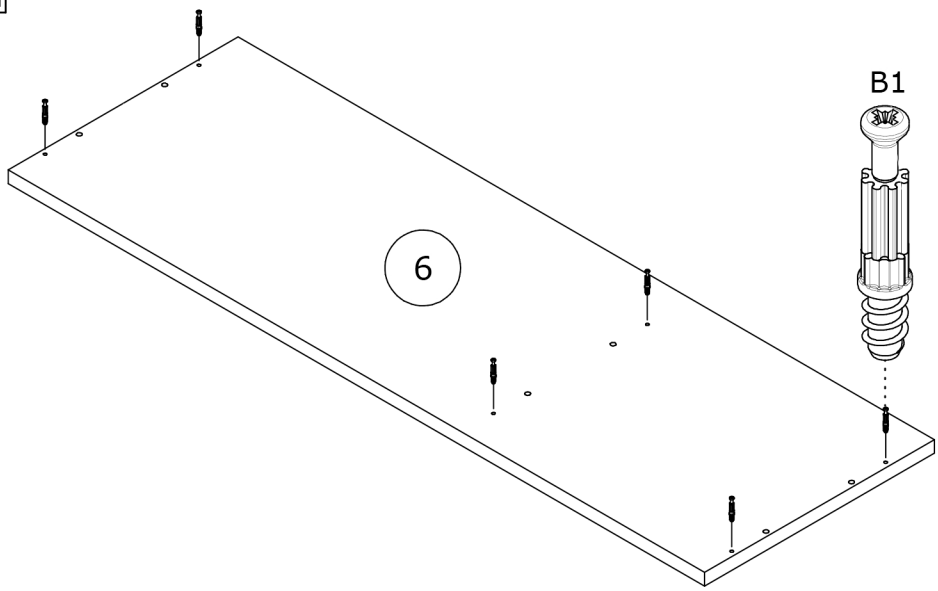
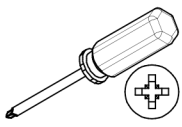
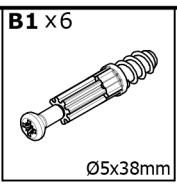
**10**



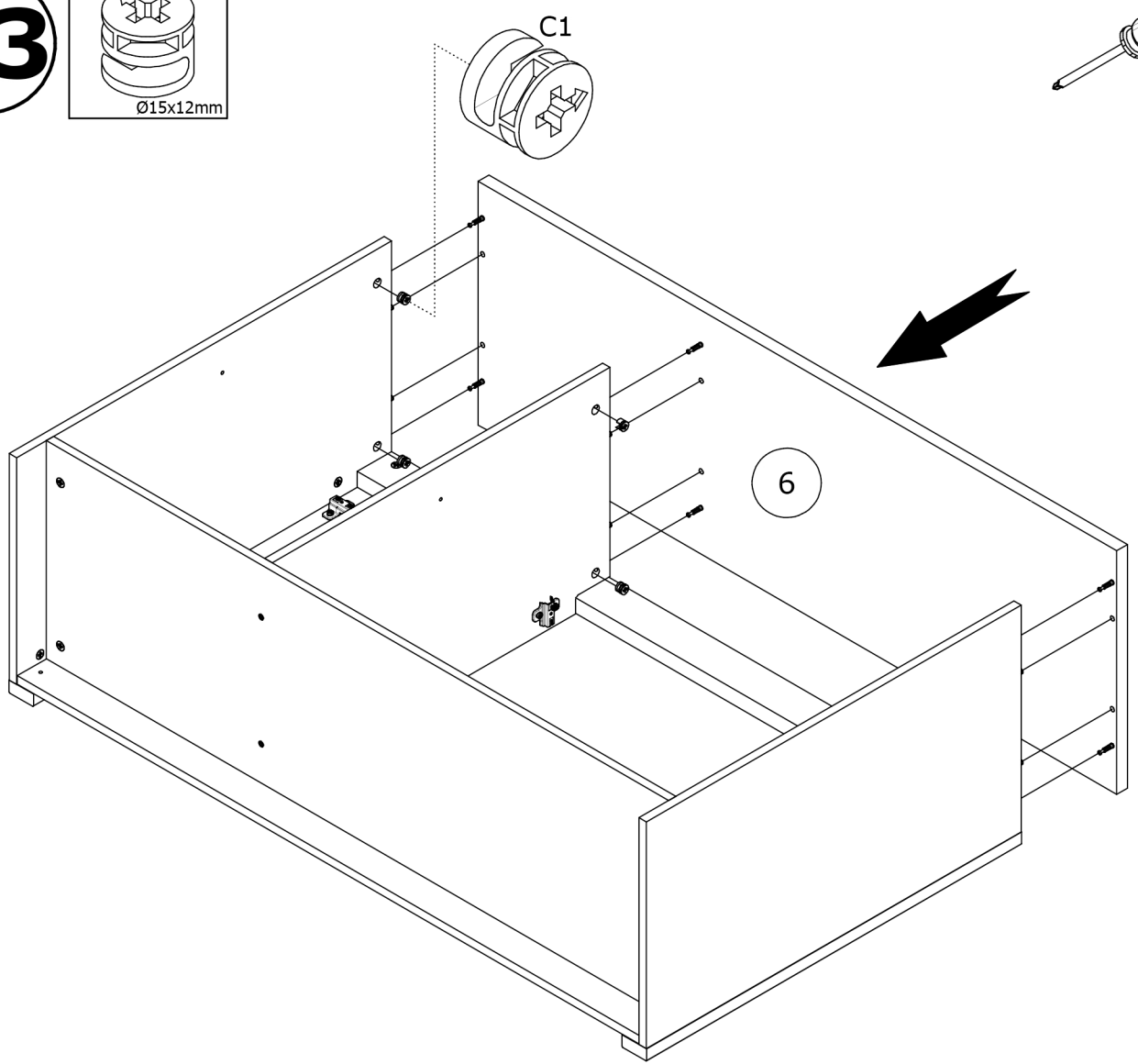
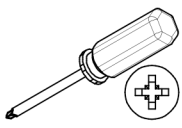
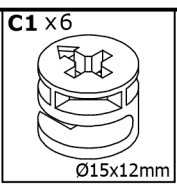
**11**



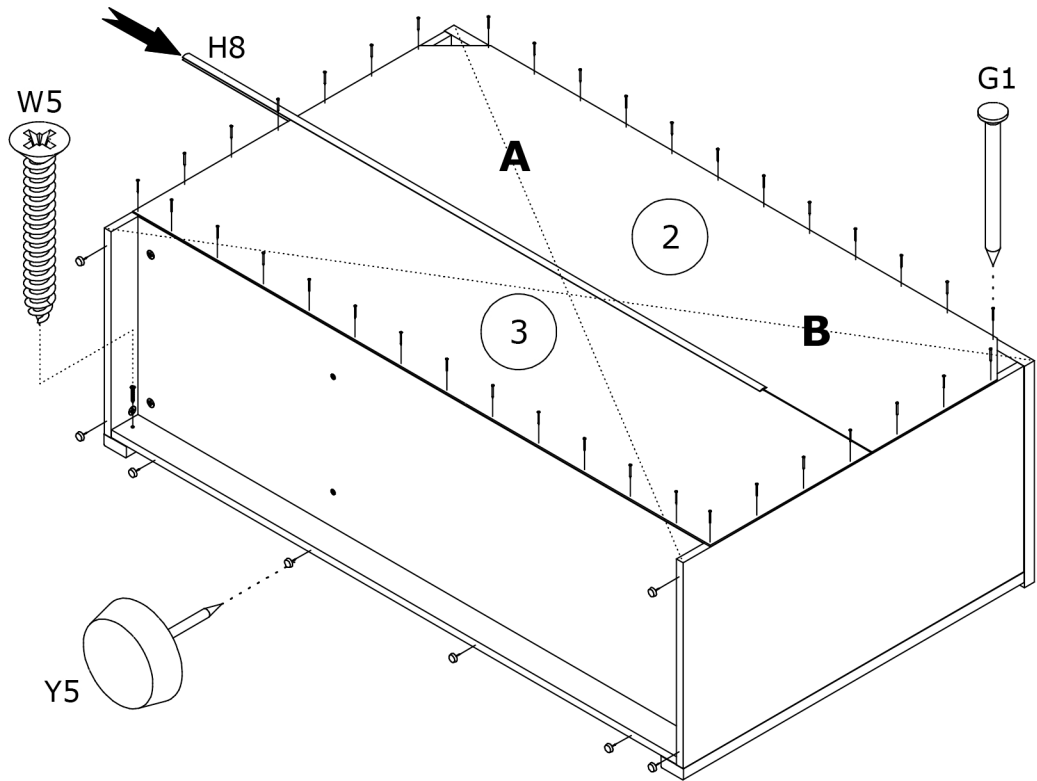
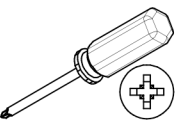
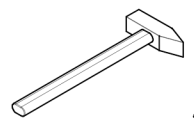
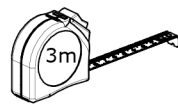
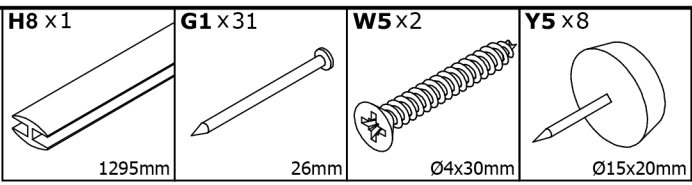
12



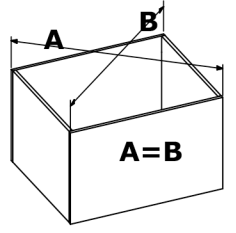
13



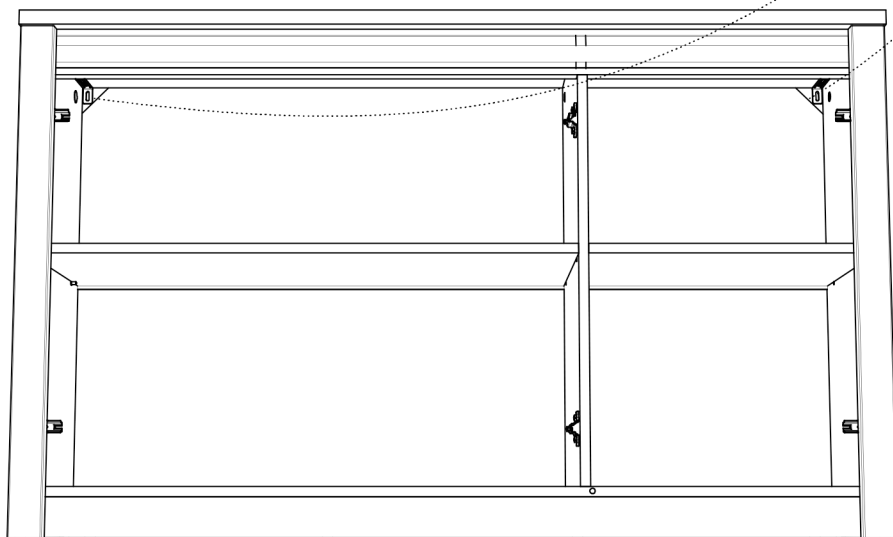
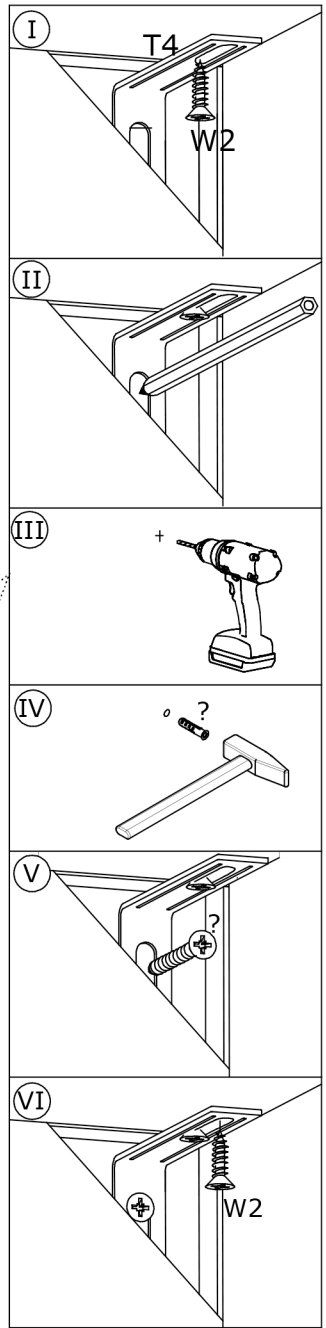
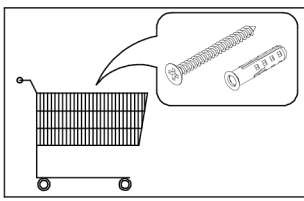
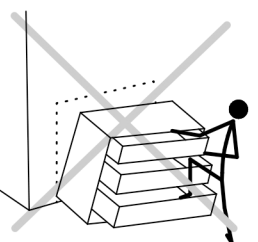
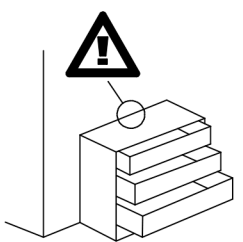
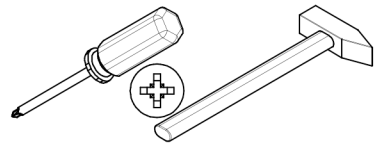
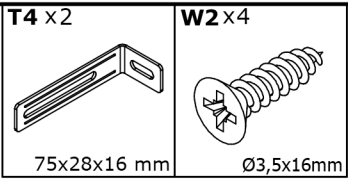
# 14



$A=B \equiv 90^\circ$

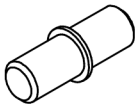


# 15



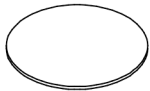
# 16

E1 x 8

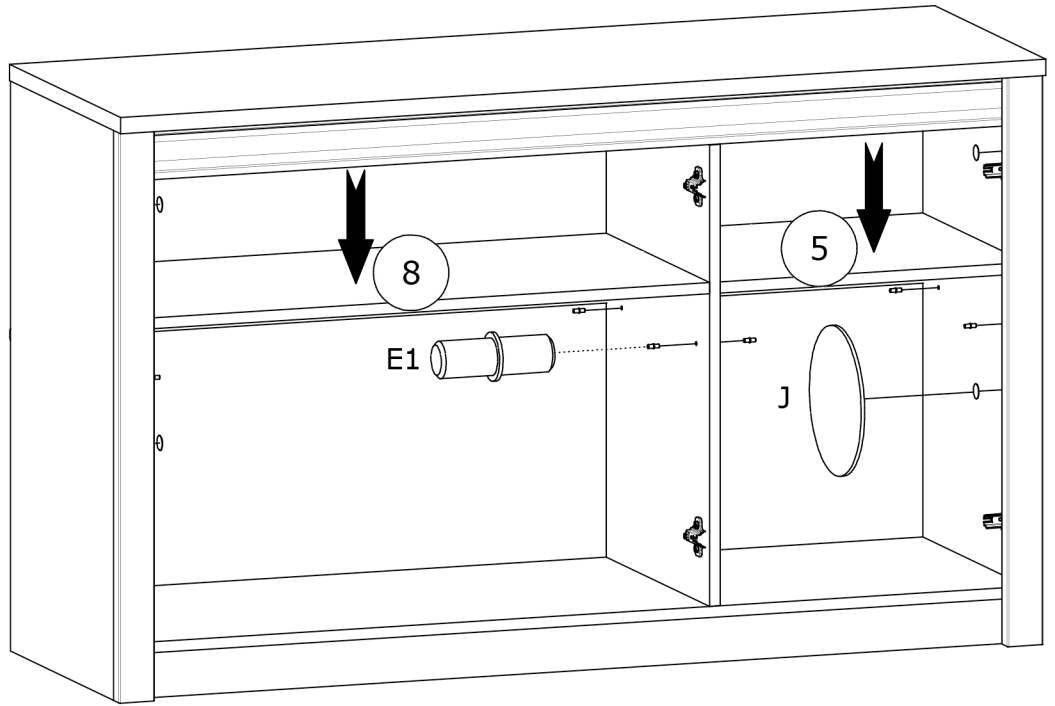
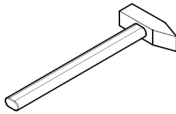


Ø5x16mm

J x 10

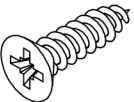


Ø21mm



# 17

W2 x 12



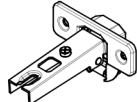
Ø3,5x16mm

Y1 x 6



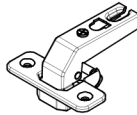
Ø8x1,5mm

Z3 x 2

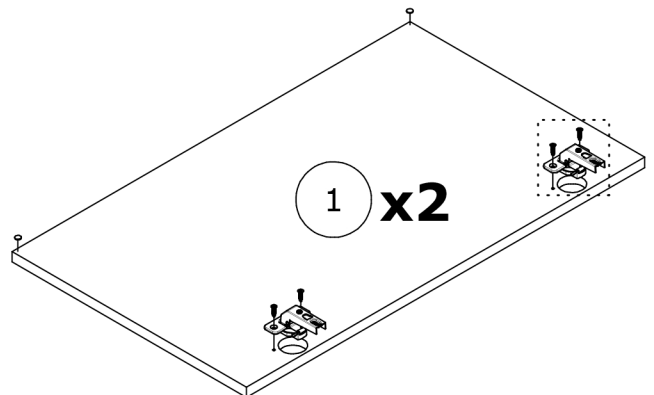
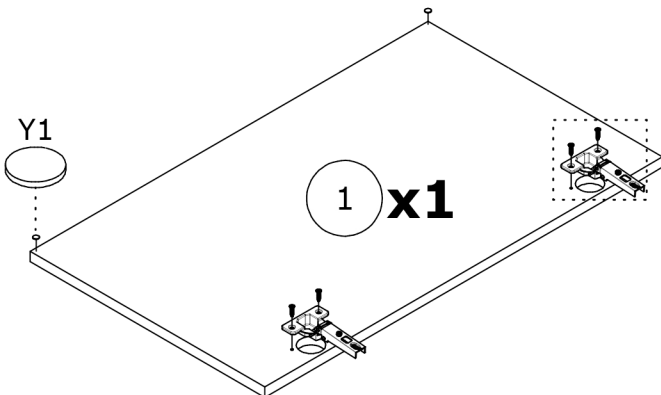
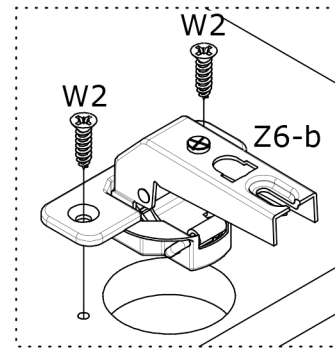
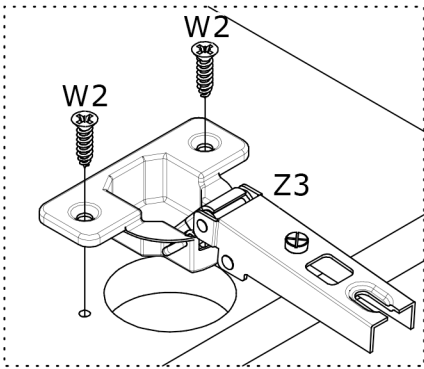


Ø35, ZK0

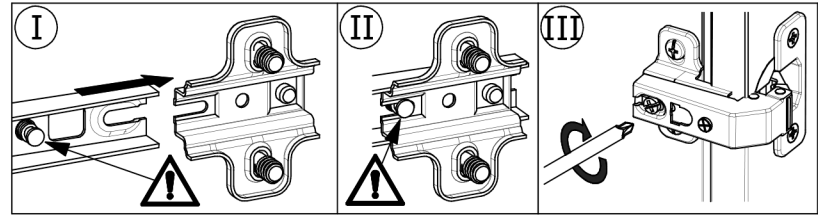
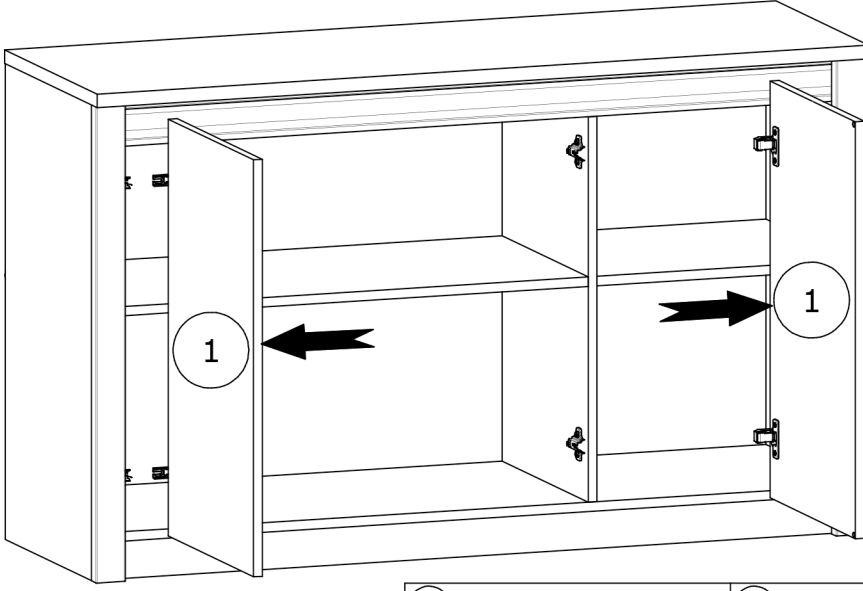
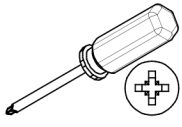
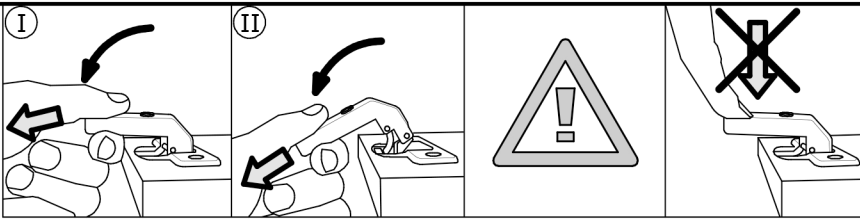
Z6-b x 4



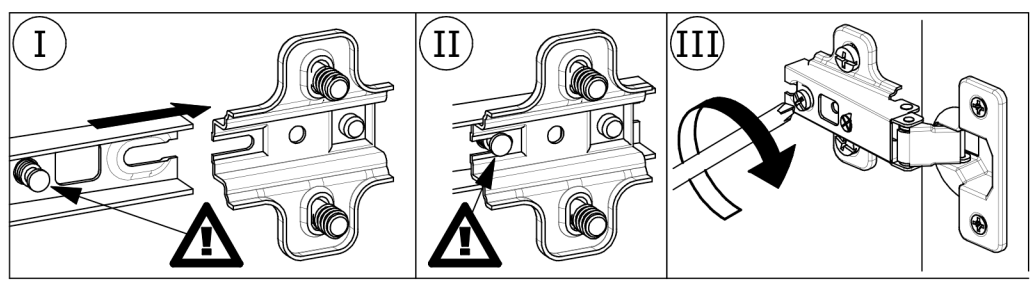
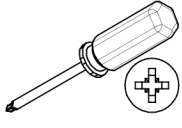
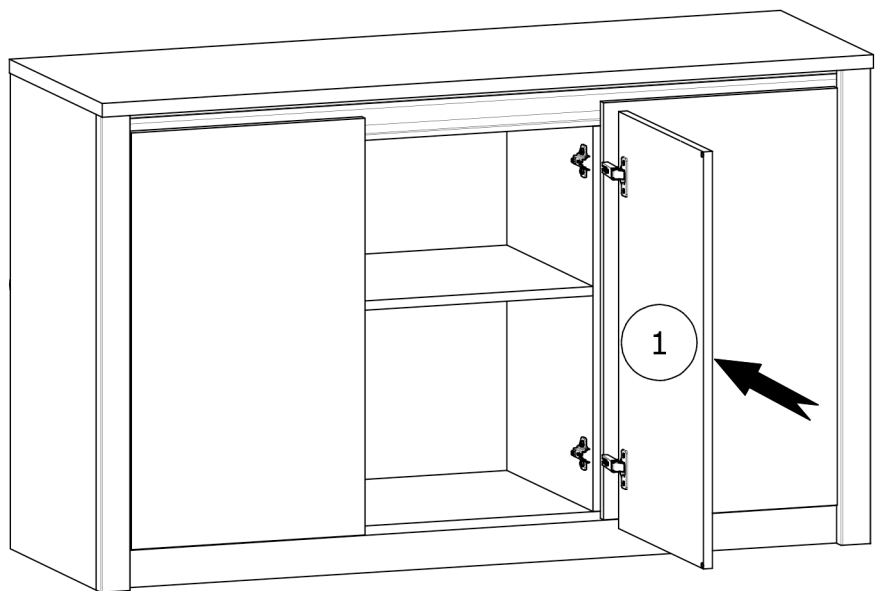
Ø35mm, 90°



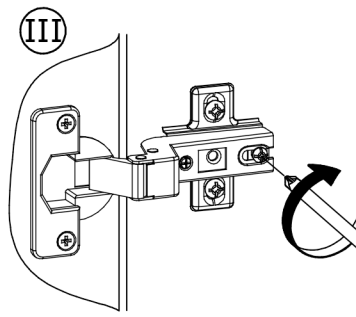
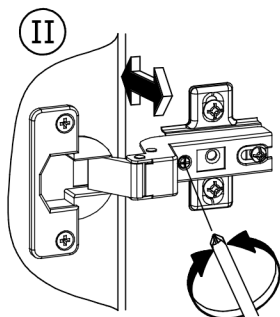
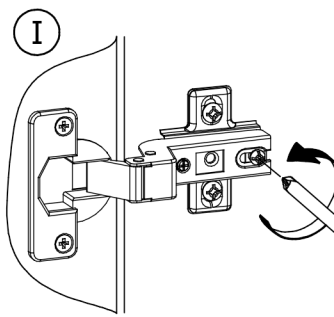
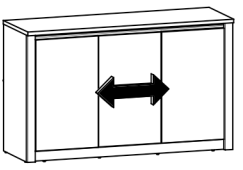
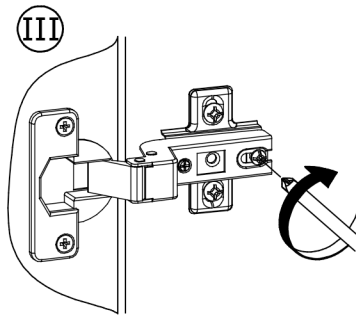
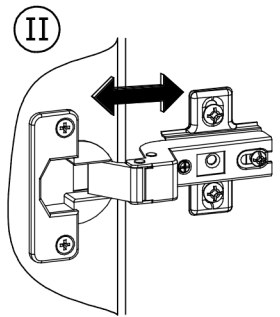
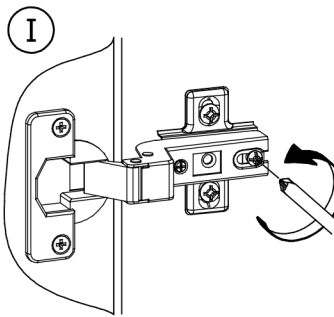
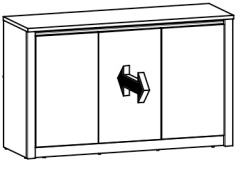
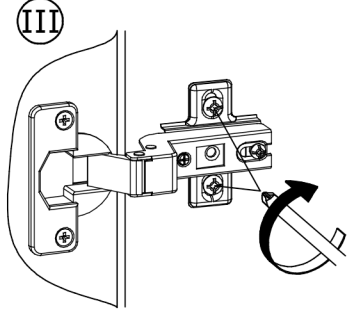
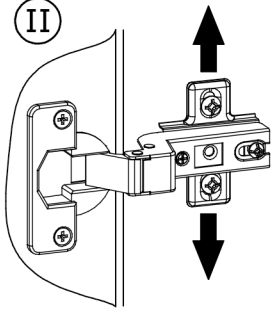
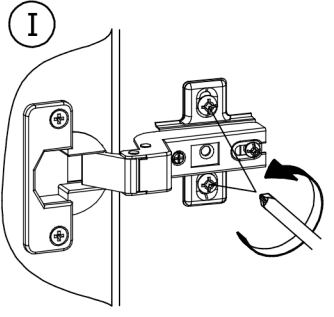
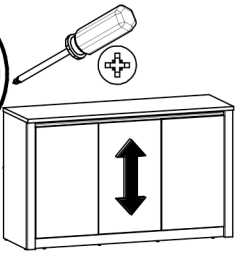
18



19



20



21

