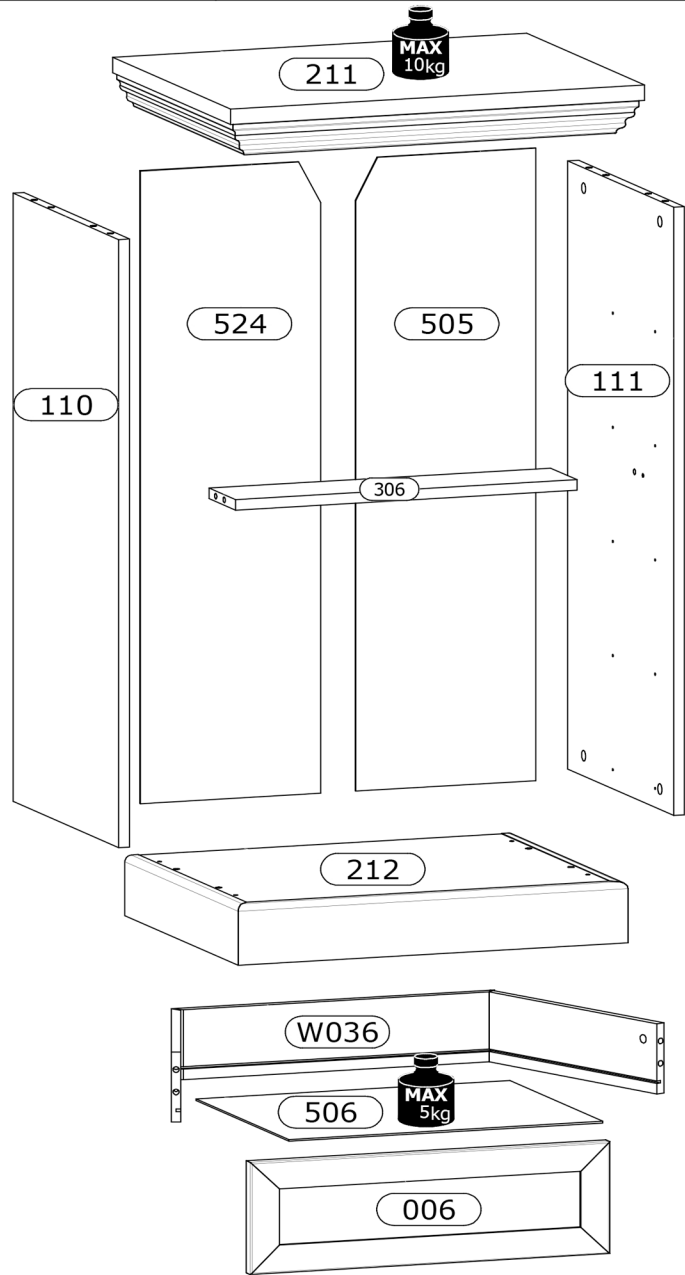
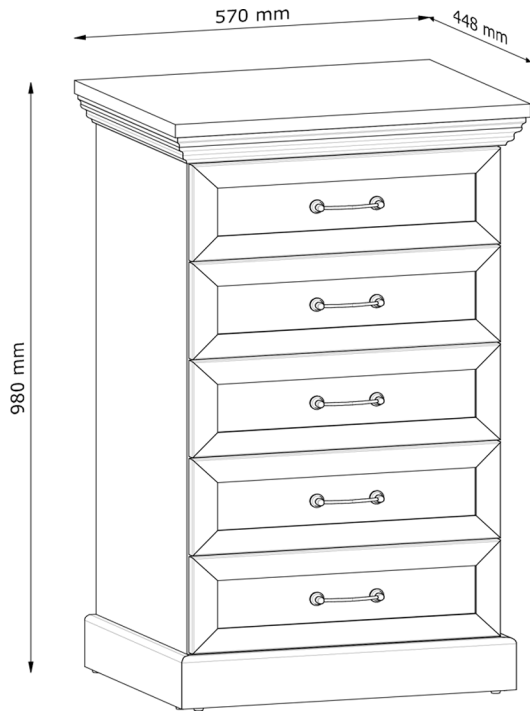
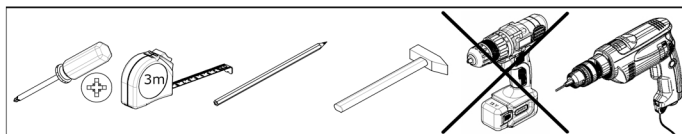


# Royal

# KS5



**x5**



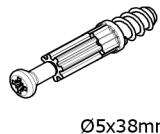
<b>A1</b> x20 Ø8x35mm	<b>B1</b> x20 Ø5x38mm	<b>C1</b> x10 Ø15x12mm	<b>C2</b> x10 Ø12x10mm	<b>G1</b> x22 26mm
<b>H</b> x1 843mm	<b>J1</b> x10 Ø21mm	<b>P10-CL</b> x5 350mm	<b>P10-CR</b> x5 350mm	<b>P10-DL</b> x5 350mm
<b>P10-DR</b> x5 350mm	<b>T4</b> x1 75x28x16 mm	<b>U7</b> x5 118x22mm	<b>W2</b> x22 Ø3,5x16mm	<b>W8</b> x20 Ø3x25mm
<b>X2</b> x10 M4x16mm	<b>Y1</b> x10 Ø8x1,5mm	<b>Y5</b> x8 Ø15x20mm		

Nr	L[mm]	W[mm]	H[mm]	PCS	BOX
006	495	160	18	5	2/3
110	868	400	15	1	1/3
111	868	400	15	1	1/3
211	570	445	72	1	3/3
212	537	428,5	86	1	3/3
306	470	100	15	1	1/3
505	903	248	2,5	1	1/3
506	432	351	2,5	5	3/3
524	903	248	2,5	1	1/3
W036	1145	100	12	5	1/3



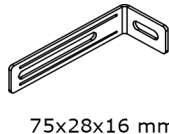
**1**

**B1 x 8**



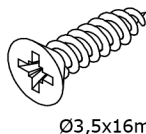
Ø5x38mm

**T4 x 1**



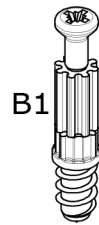
75x28x16 mm

**W2 x 1**



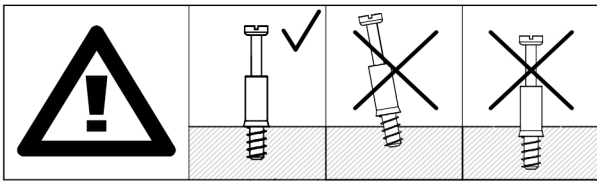
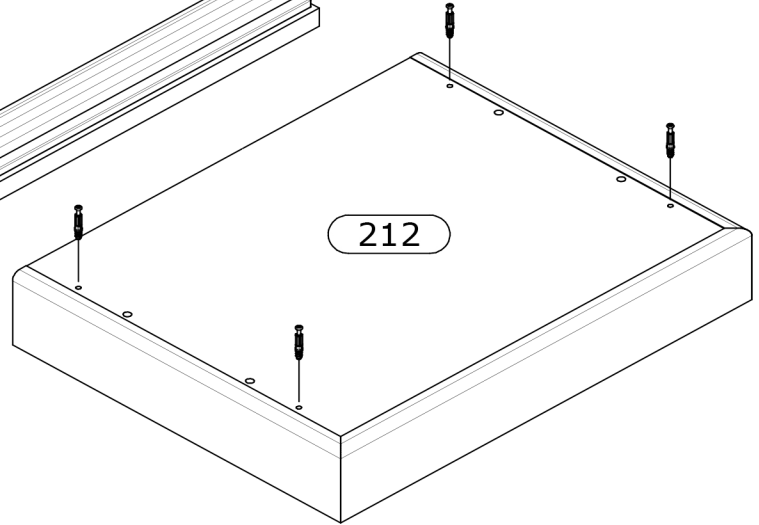
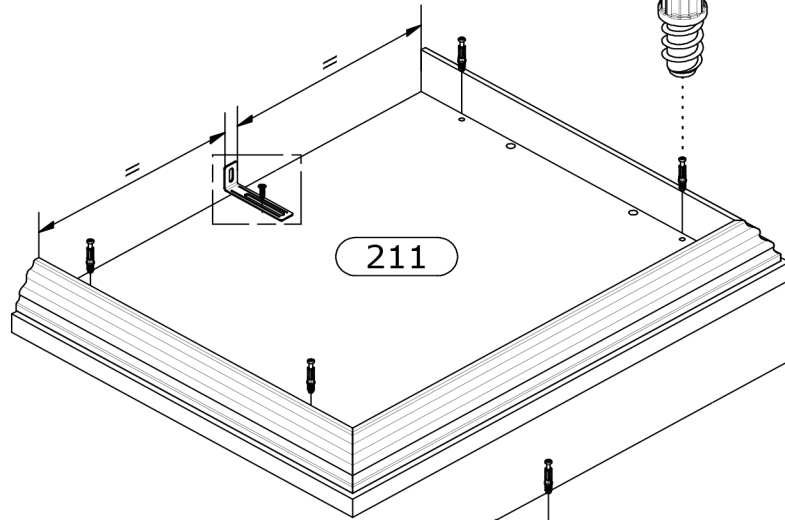
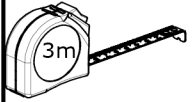
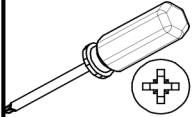
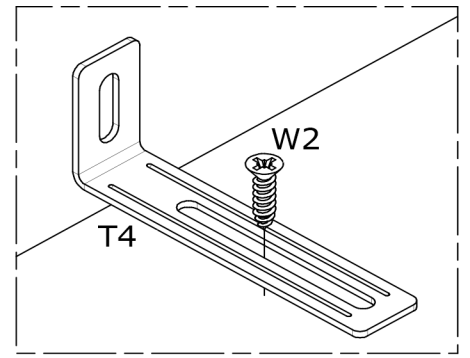
Ø3,5x16mm

B1



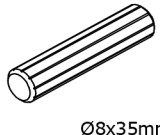
W2

T4



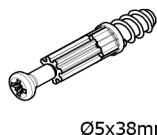
**2**

**A1 x 10**



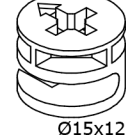
Ø8x35mm

**B1 x 2**

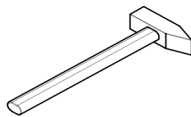
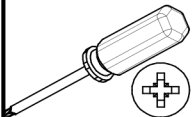
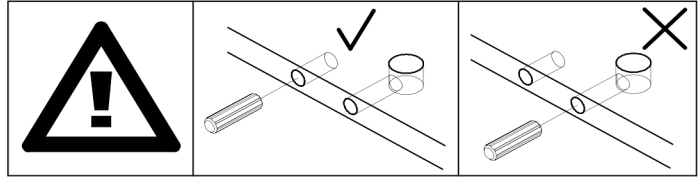


Ø5x38mm

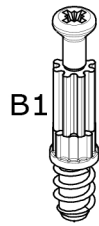
**C1 x 10**



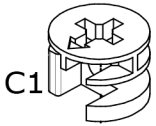
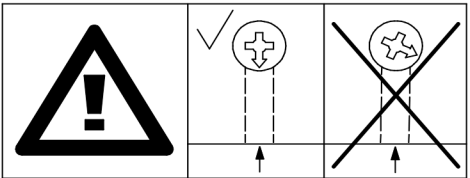
Ø15x12mm



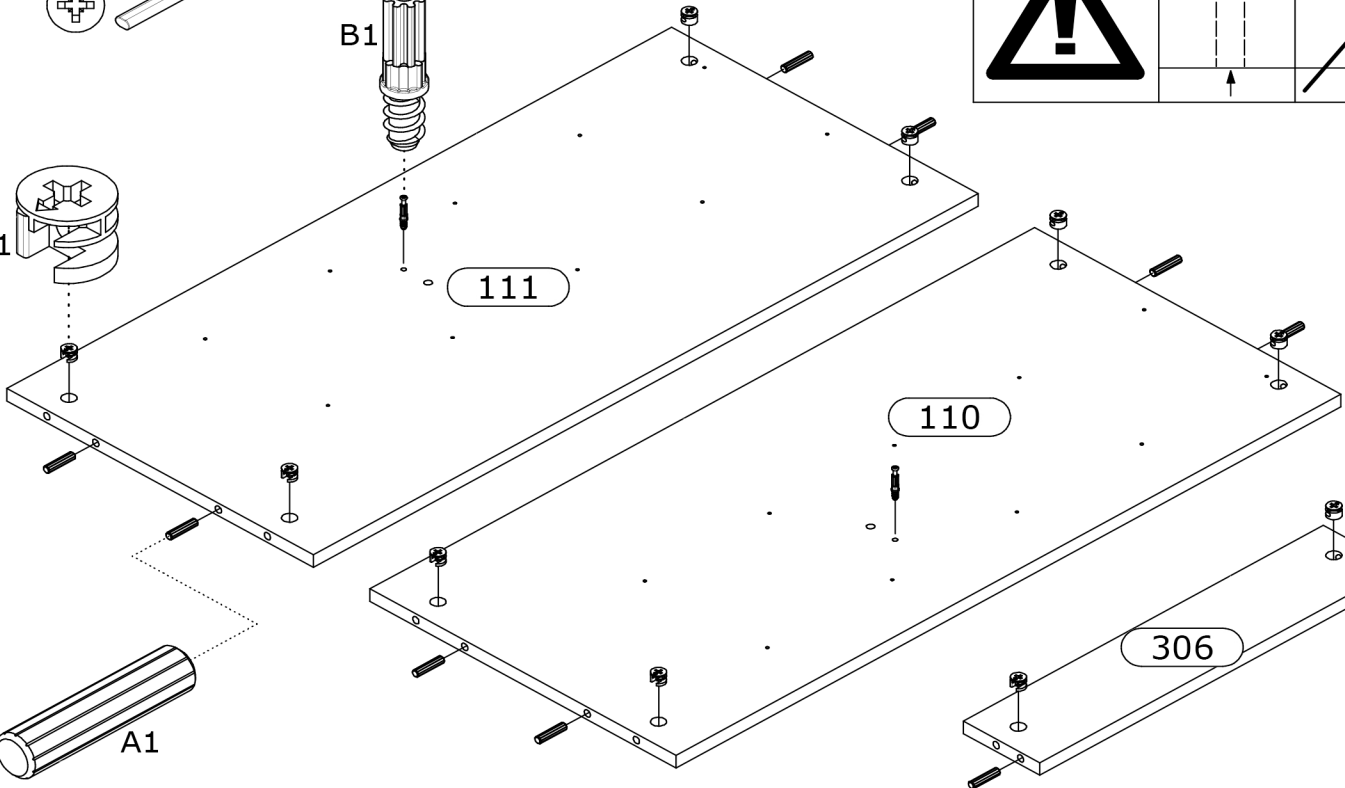
B1



111



C1

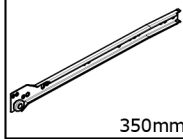


A1

306

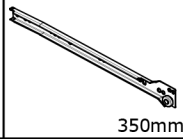
3

P10-CLx4



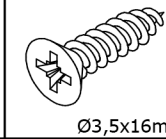
350mm

P10-CR x4

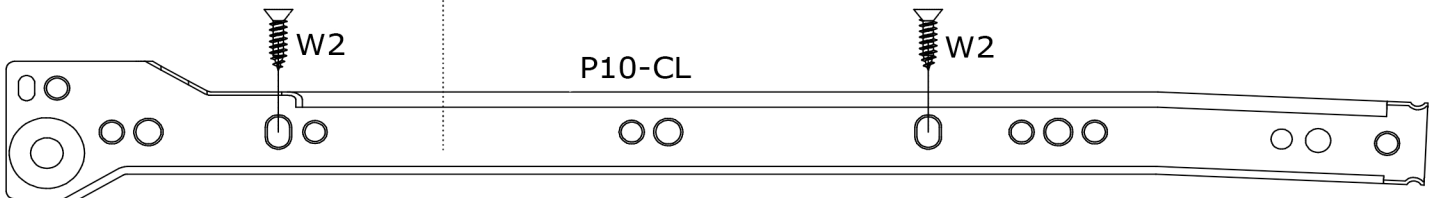
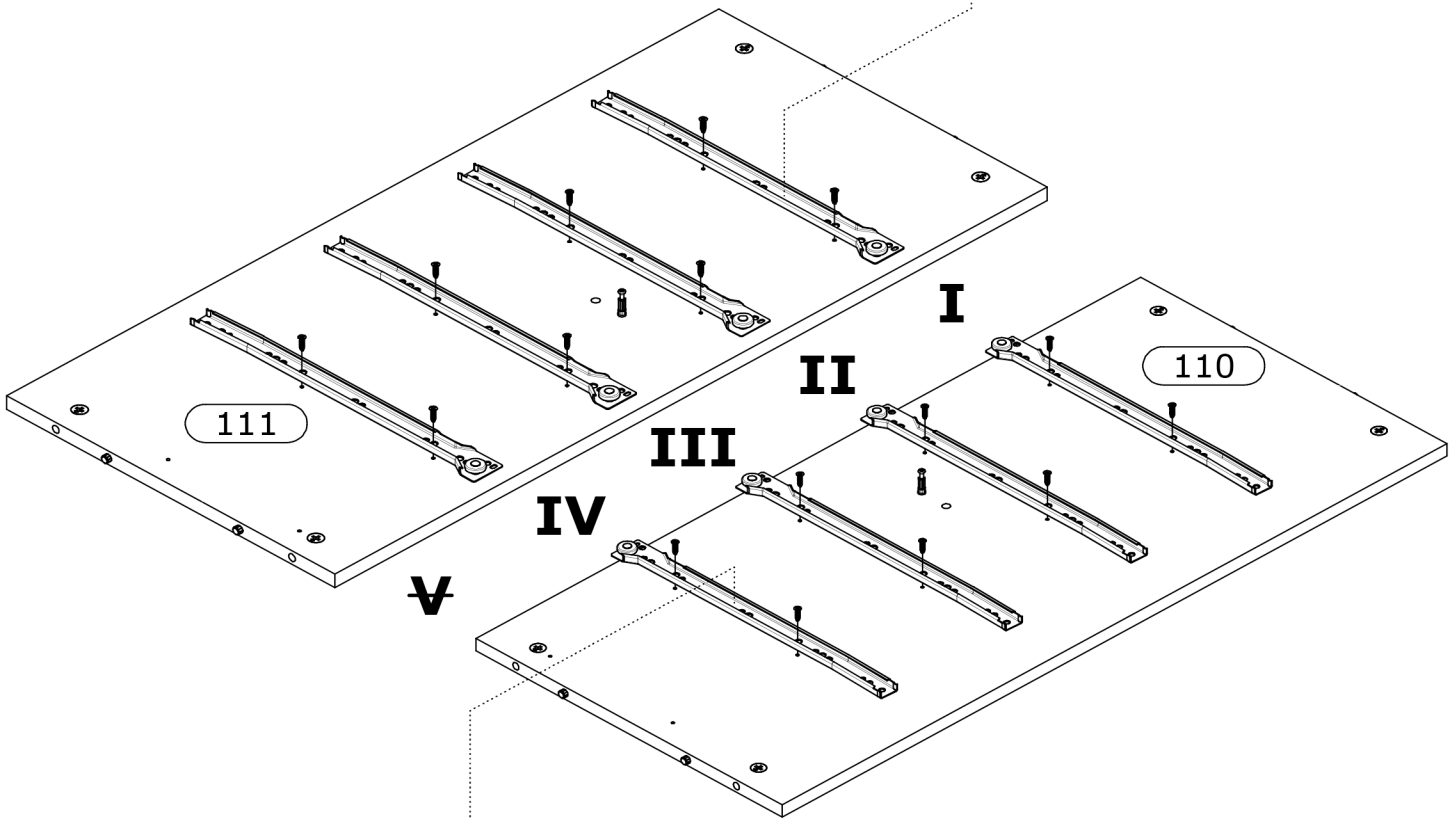
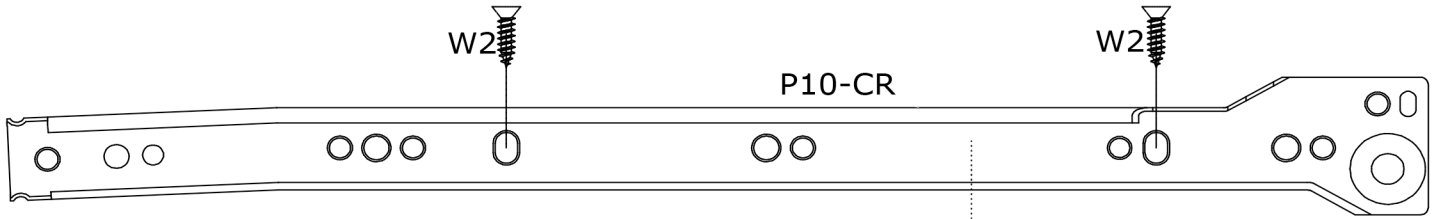
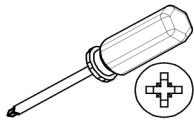


350mm

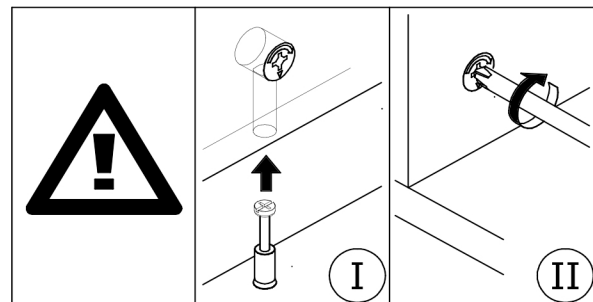
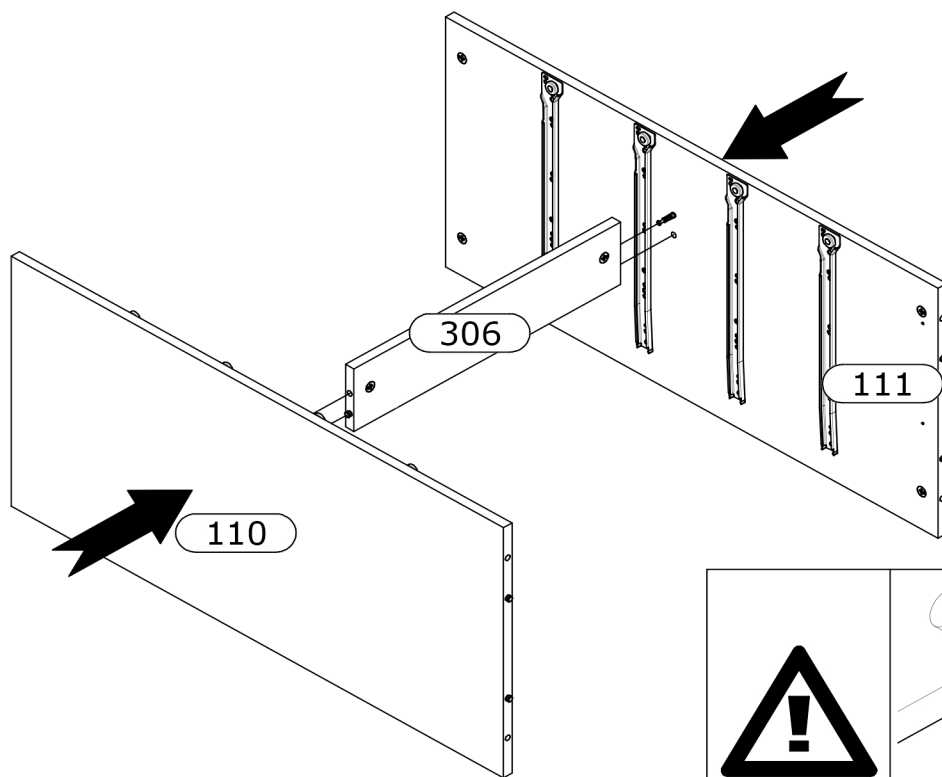
W2x16



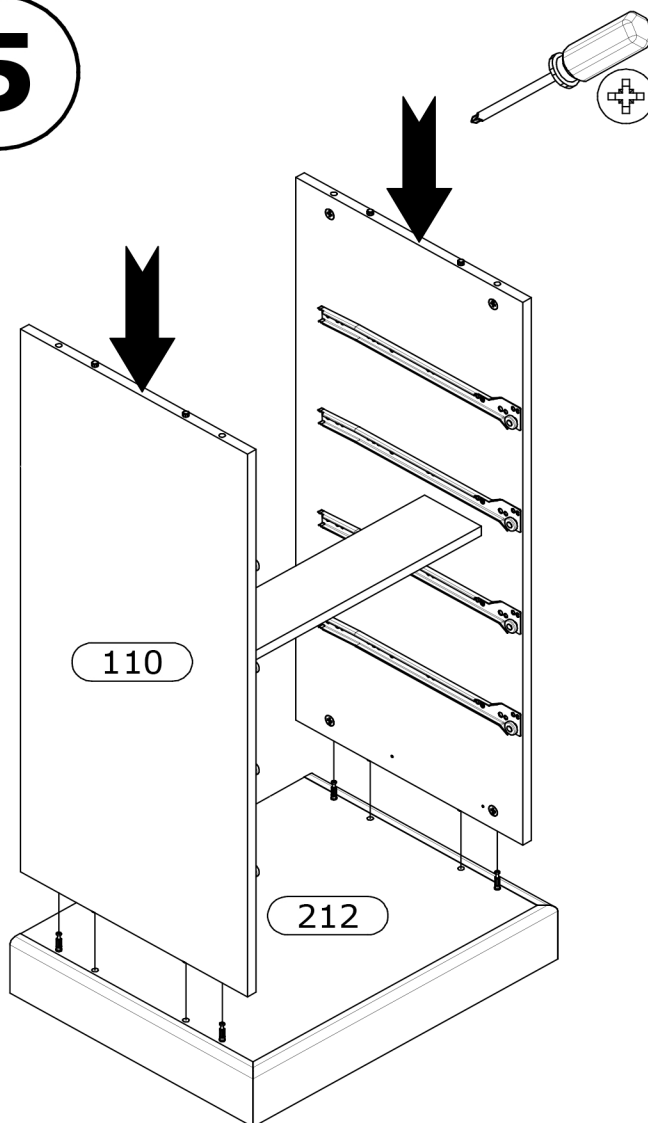
Ø3,5x16mm



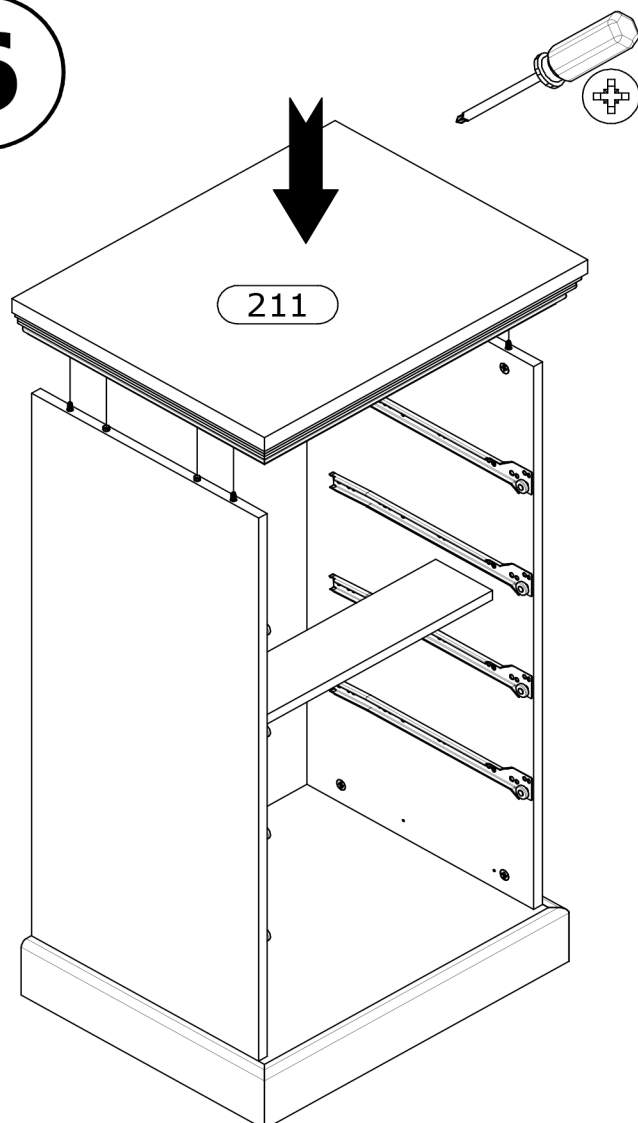
4



5

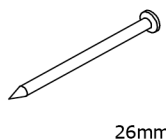


6



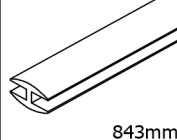
7

G1 x 22



26mm

H x 1



843mm

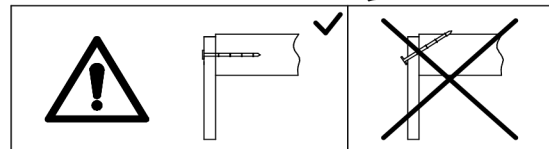
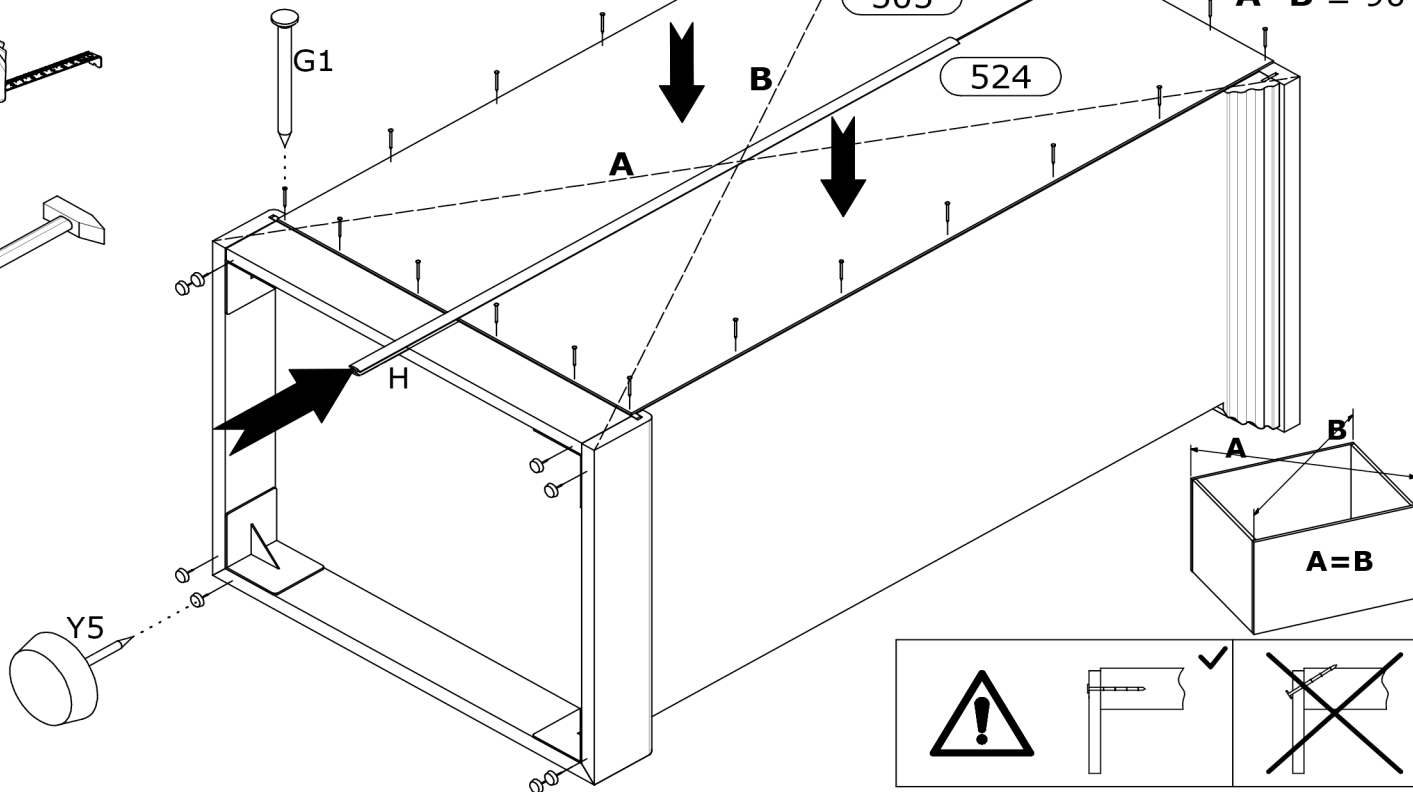
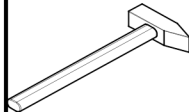
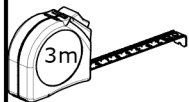
Y5 x 8



Ø15x20mm



A=B ≡ 90°

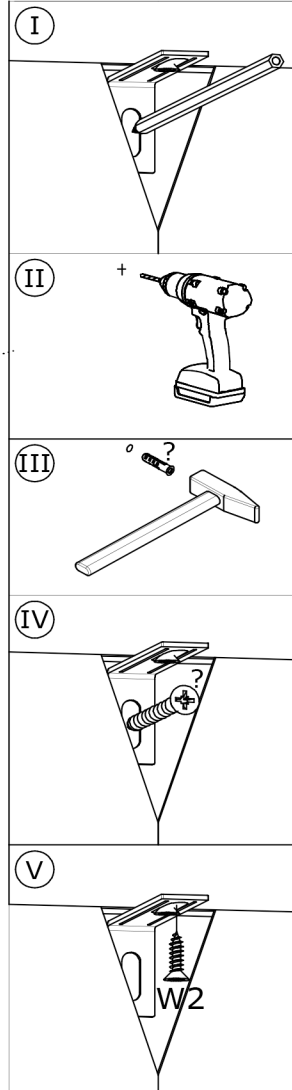
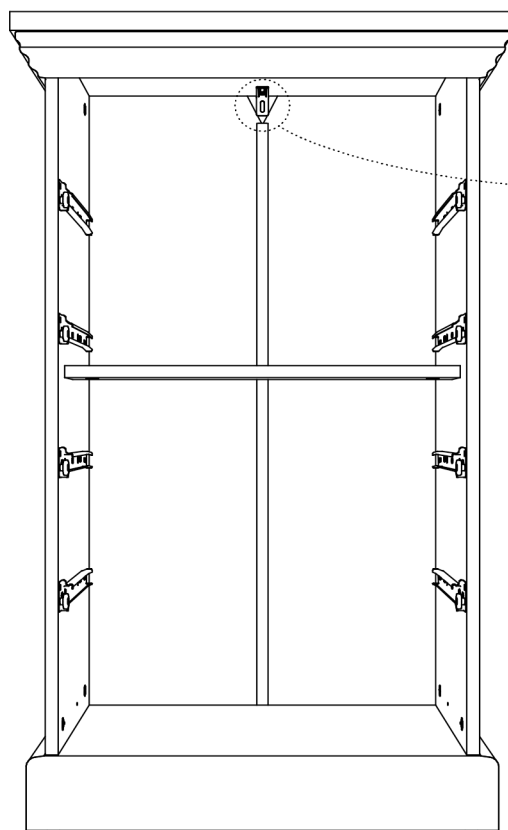
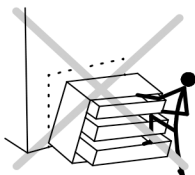
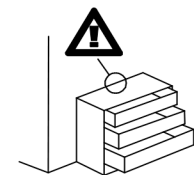
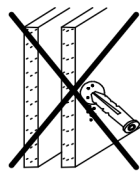
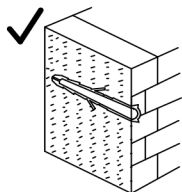
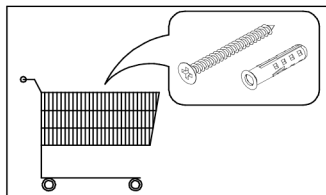
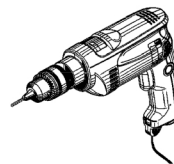
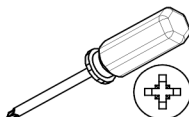
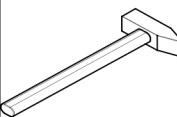


8

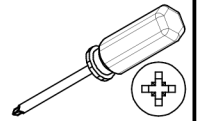
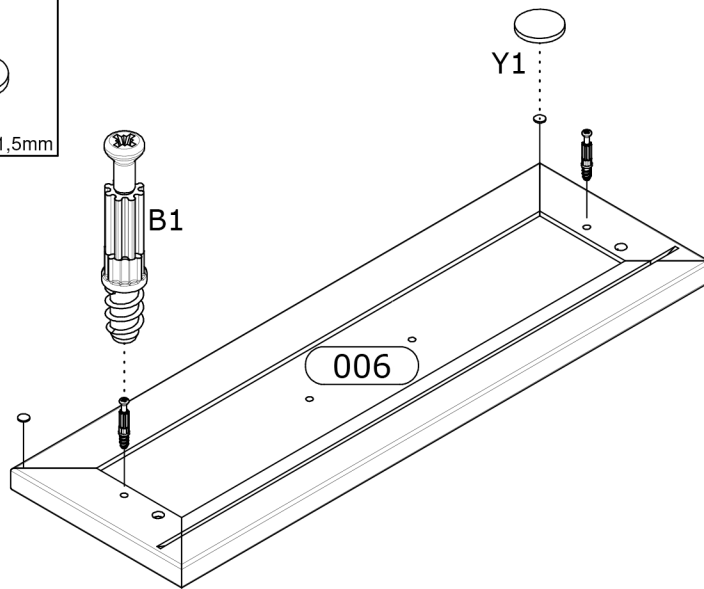
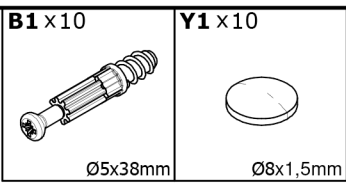
W2 x 1



Ø3,5x16mm

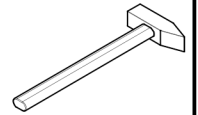
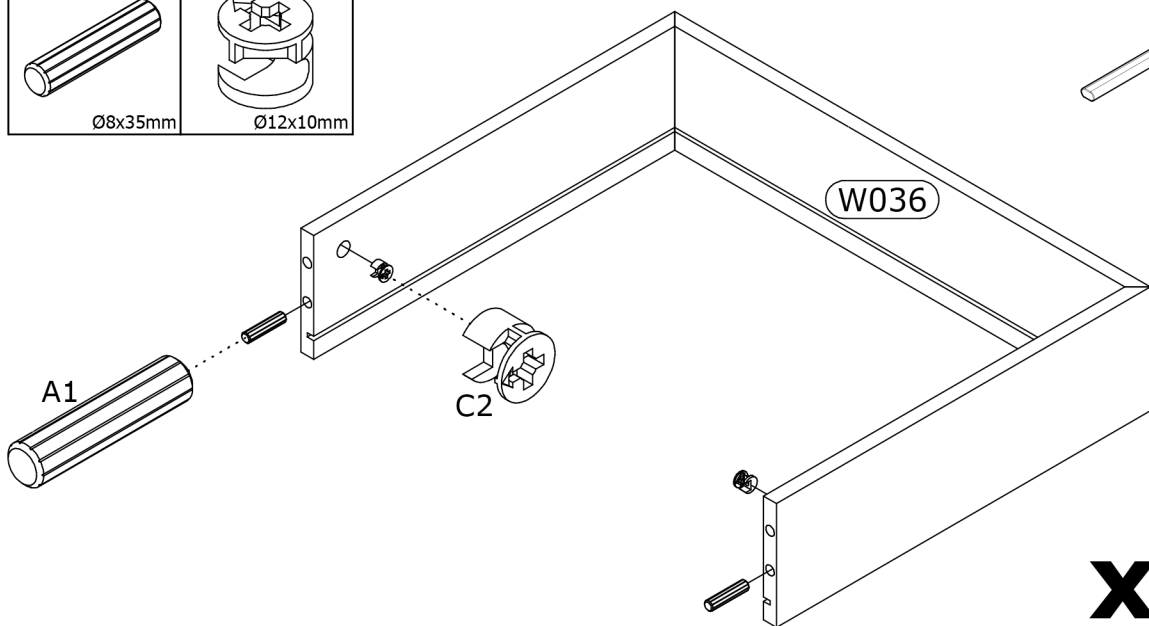
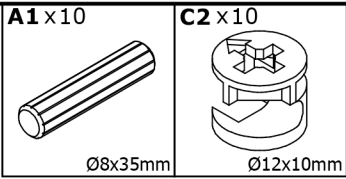


9



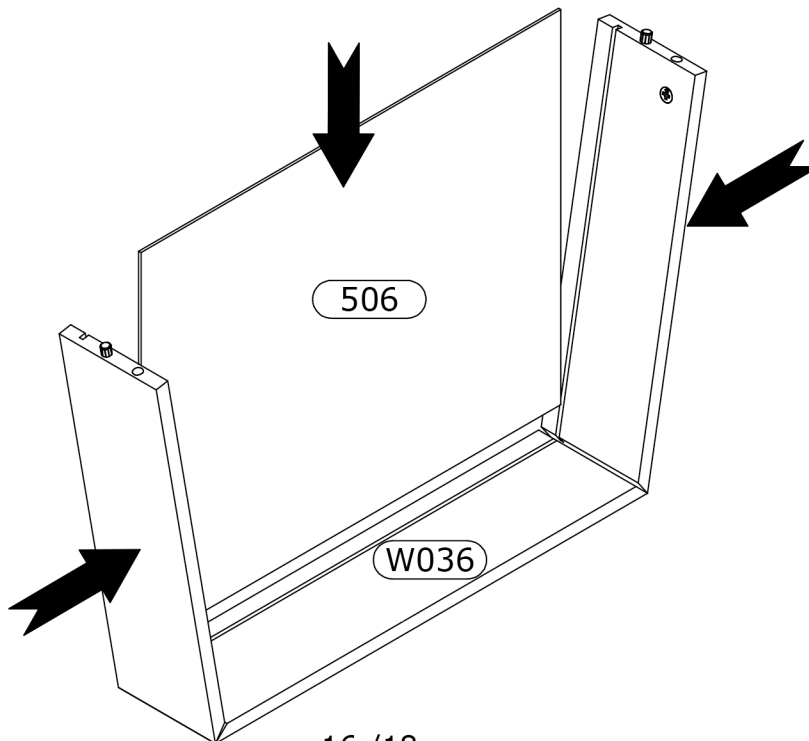
x5

10



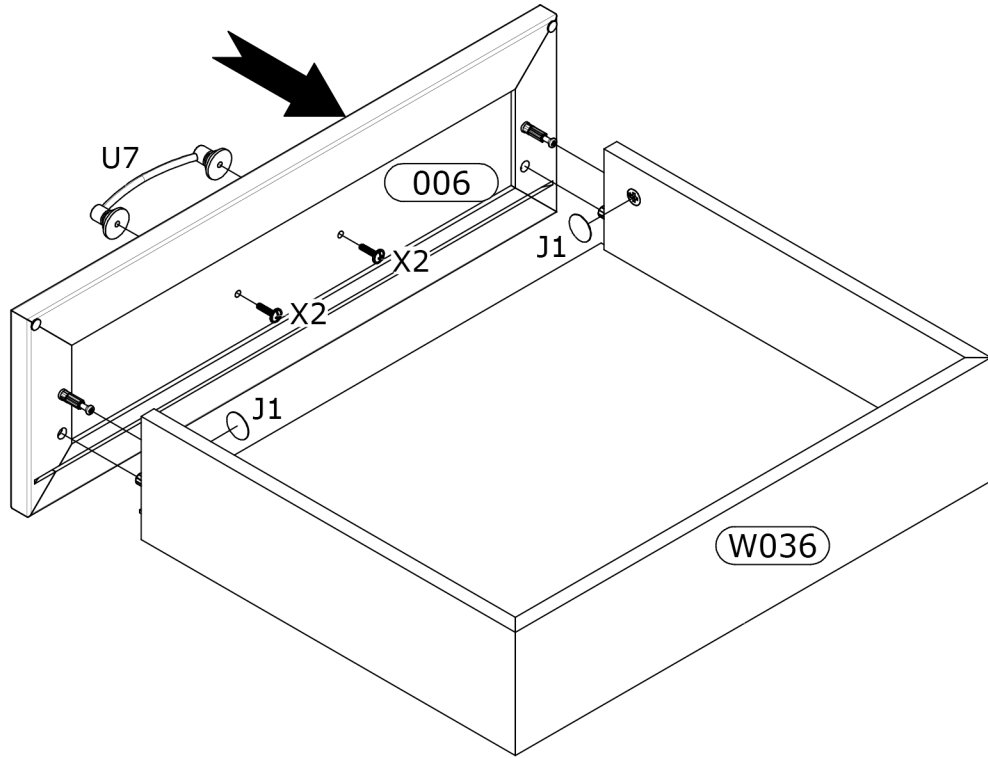
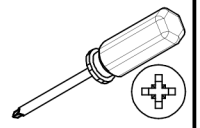
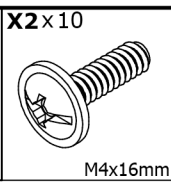
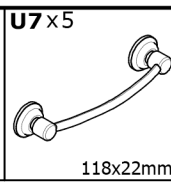
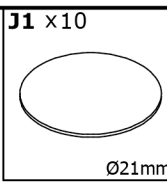
x5

11



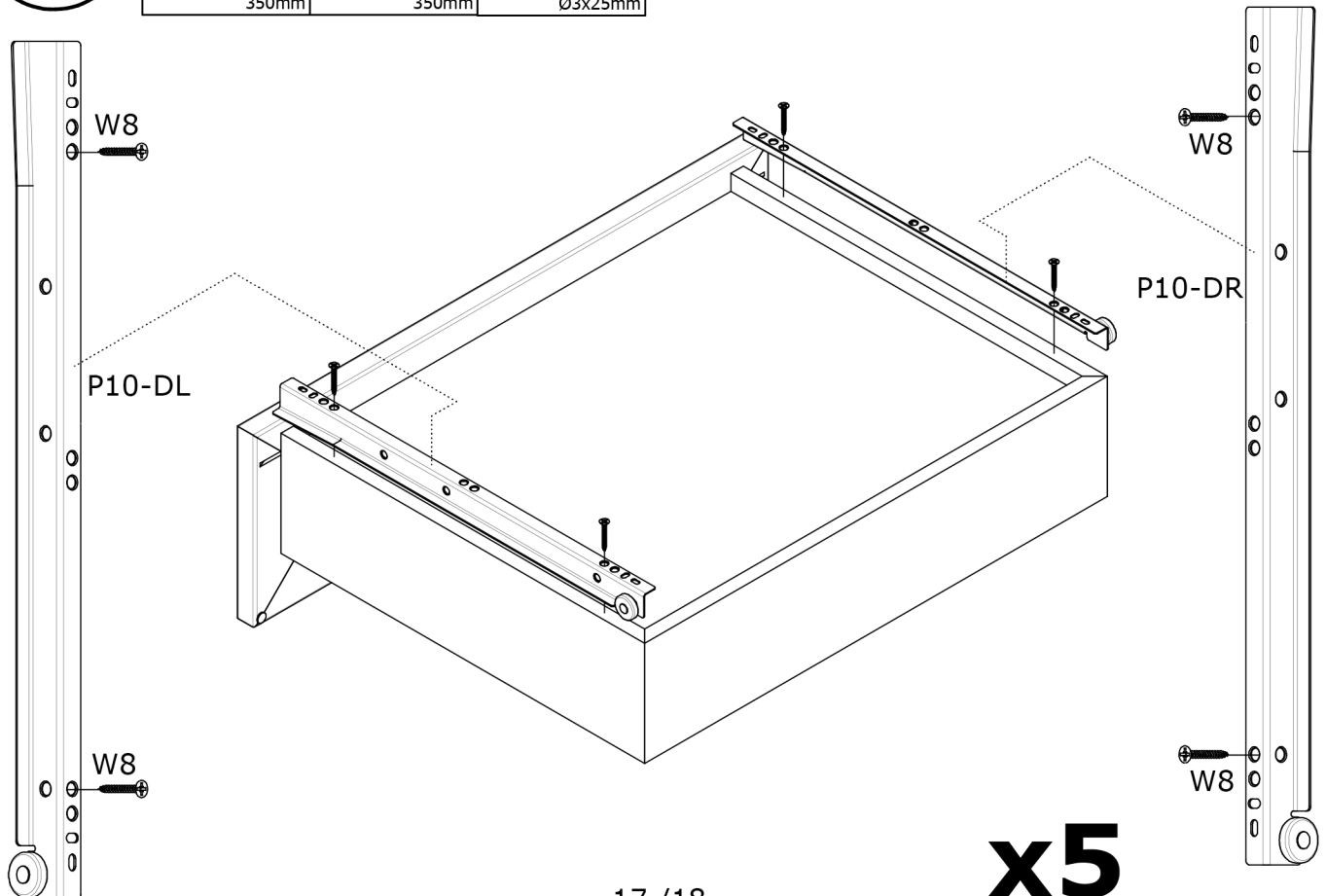
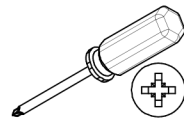
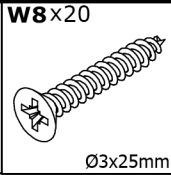
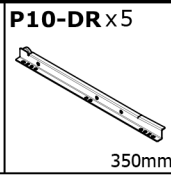
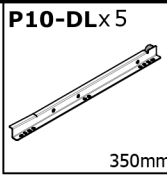
x5

# 12



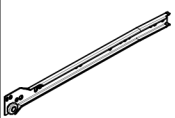
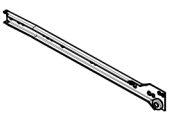
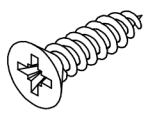
# x5

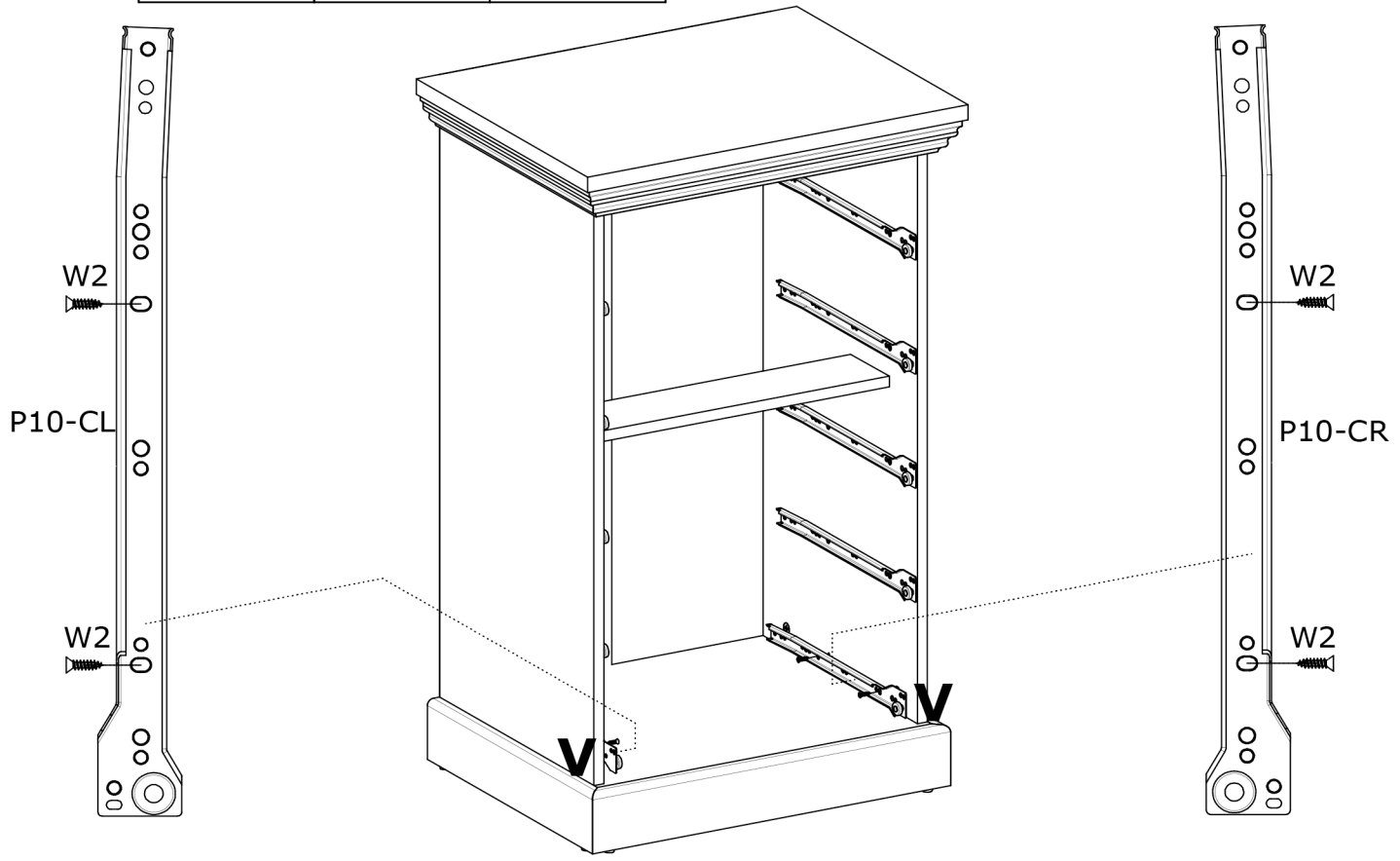
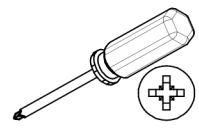
# 13



# x5

# 14

<b>P10-CL</b> x 1  350mm	<b>P10-CR</b> x 1  350mm	<b>W2</b> x 4  Ø3,5x16mm
--	--	--



# 15

