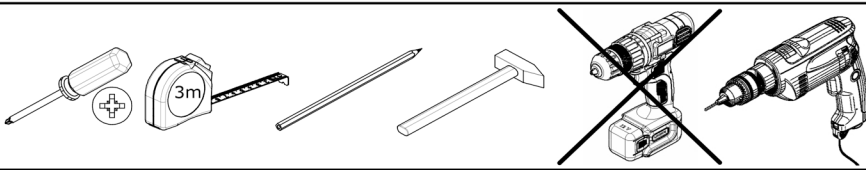
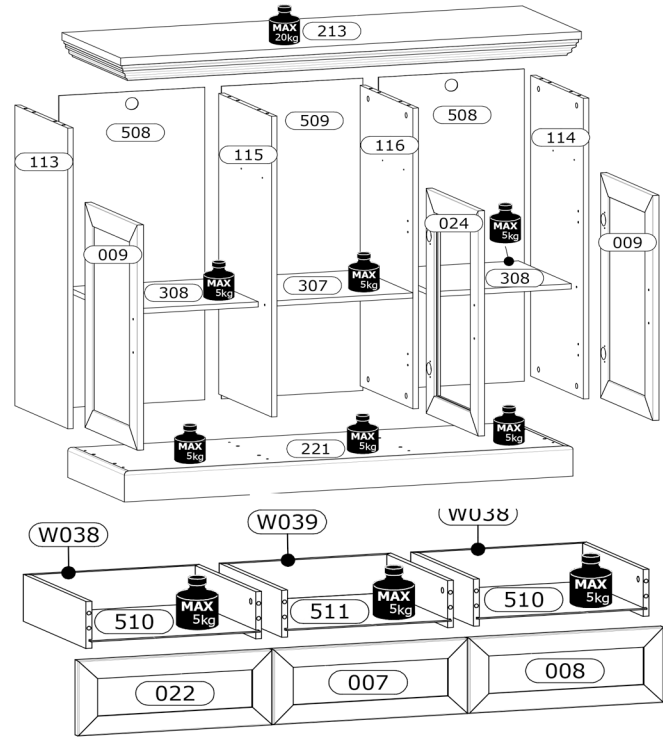
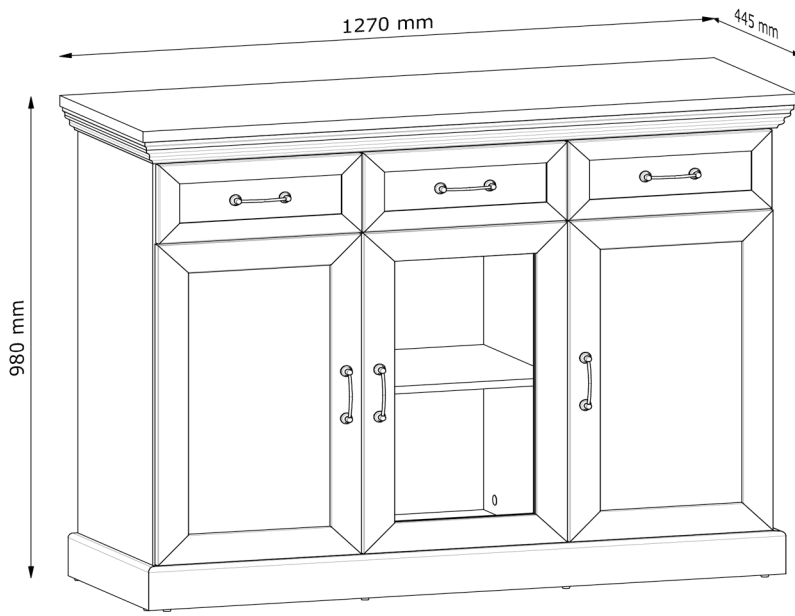


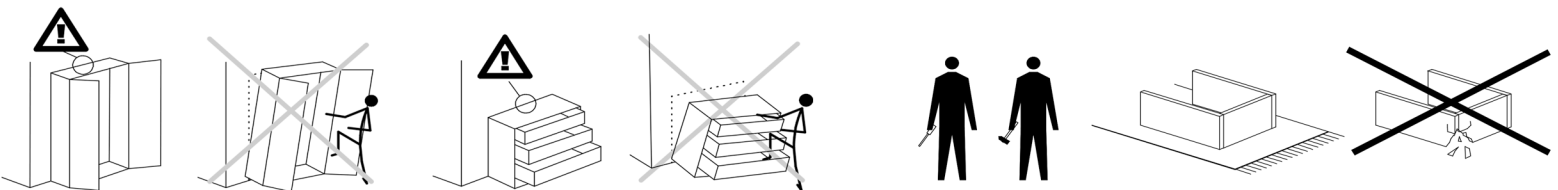
Royal

K1S

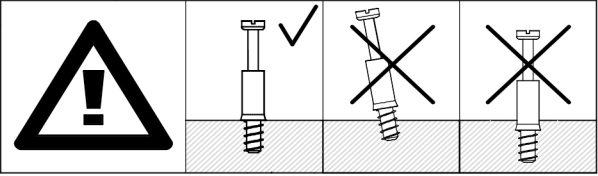
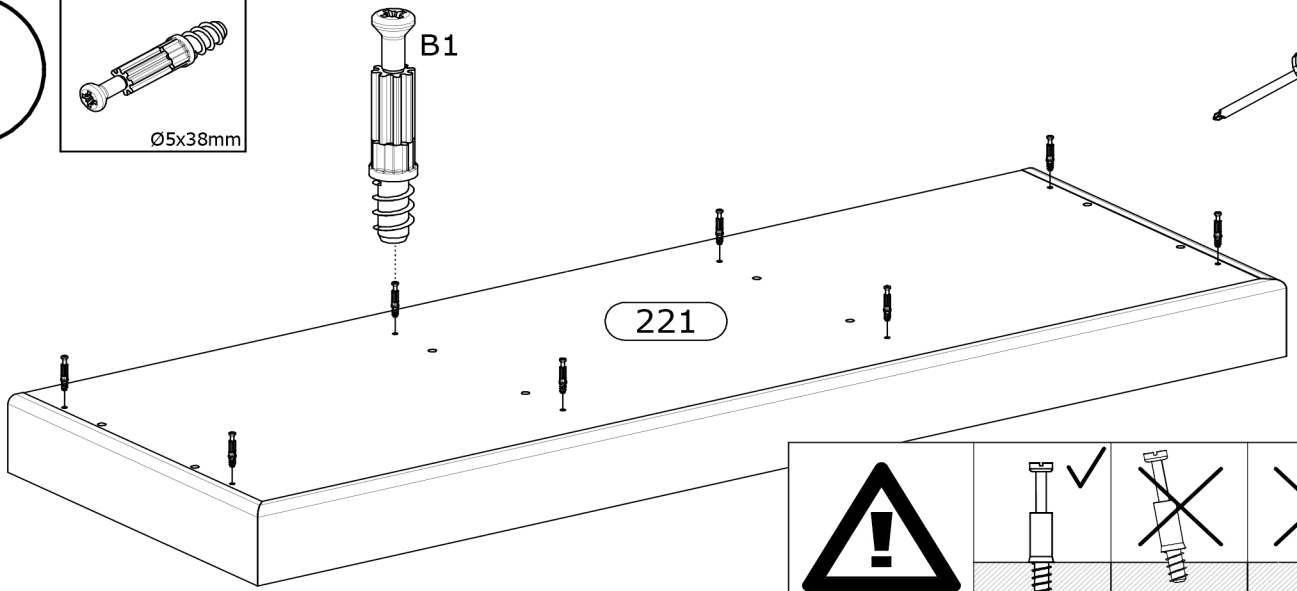
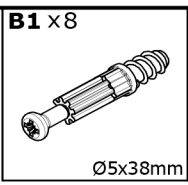


A1 x22 Ø8x35mm	B1 x22 Ø5x38mm	C1 x16 Ø15x12mm	C2 x6 Ø12x10mm	E1 x12 Ø5x16mm
G1 x62 26mm	G3 x18 22x10mm	J1 x6 Ø21mm	J6 x8 Ø21mm	P10-CL x3 350mm
P10-CR x3 350mm	P10-DL x3 350mm	P10-DR x3 350mm	T4 x2 75x28x16 mm	U7 x6 118x22mm
W2 x28 Ø3,5x16mm	W8 x12 Ø3x25mm	X2 x6 M4x16mm	X3 x6 M4x22mm	Y1 x12 Ø8x1,5mm
Y5 x12 Ø15x20mm	Z1 x6 50x40, H=2	Z3 x4 Ø35, ZK0	Z4 x2 Ø35mm, ZK9	

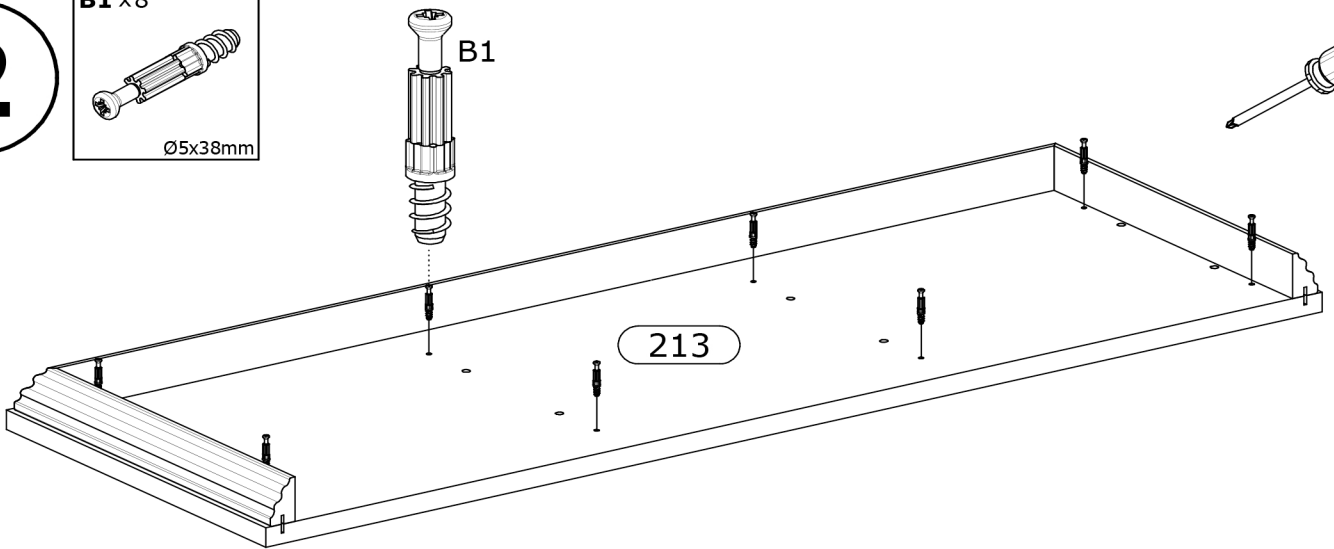
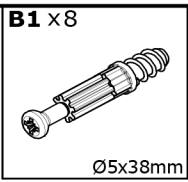
Nr	L[mm]	W[mm]	H[mm]	PCS	BOX
007	395	160	18	1	2/3
008	395	160	18	1	2/3
009	650	395	18	2	2/3
022	395	160	18	1	2/3
024	650	395	18	1	2/3
113	868	400	15	1	1/3
114	868	400	15	1	1/3
115	868	400	15	1	1/3
116	868	400	15	1	1/3
213	1270	445	72	1	3/3
221	1237	428,5	86	1	3/3
307	375	400	15	1	1/3
308	382	400	15	2	1/3
508	902	402	2,5	2	3/3
509	902	390	2,5	1	3/3
510	352	344	2,5	2	3/3
511	351	336	2,5	1	3/3
W038	1057	100	12	2	1/3
W039	1049	100	12	1	1/3



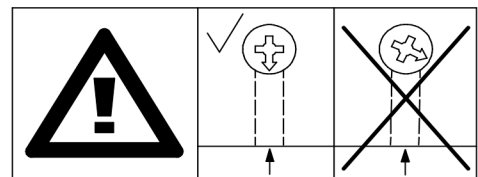
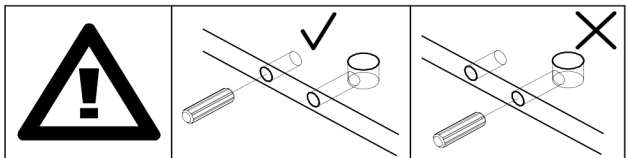
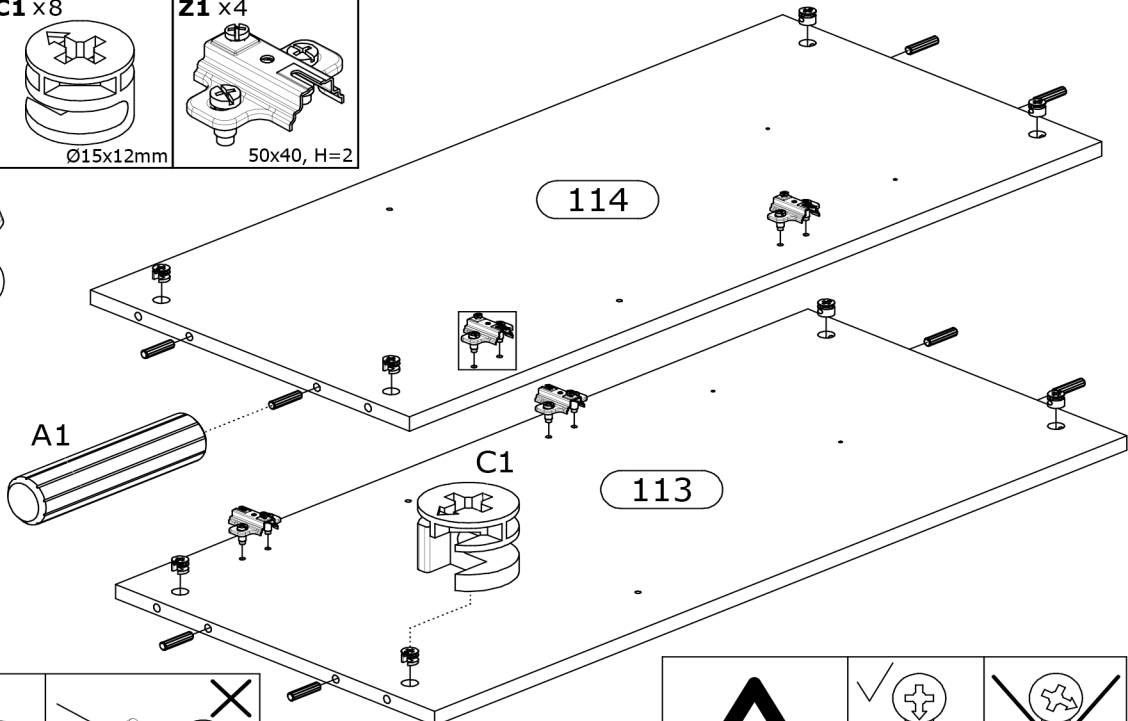
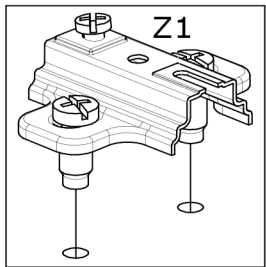
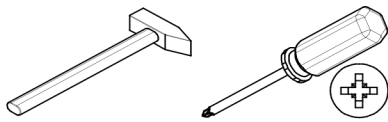
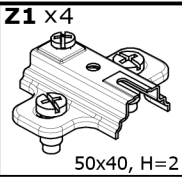
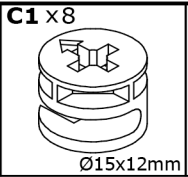
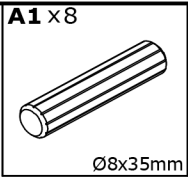
1



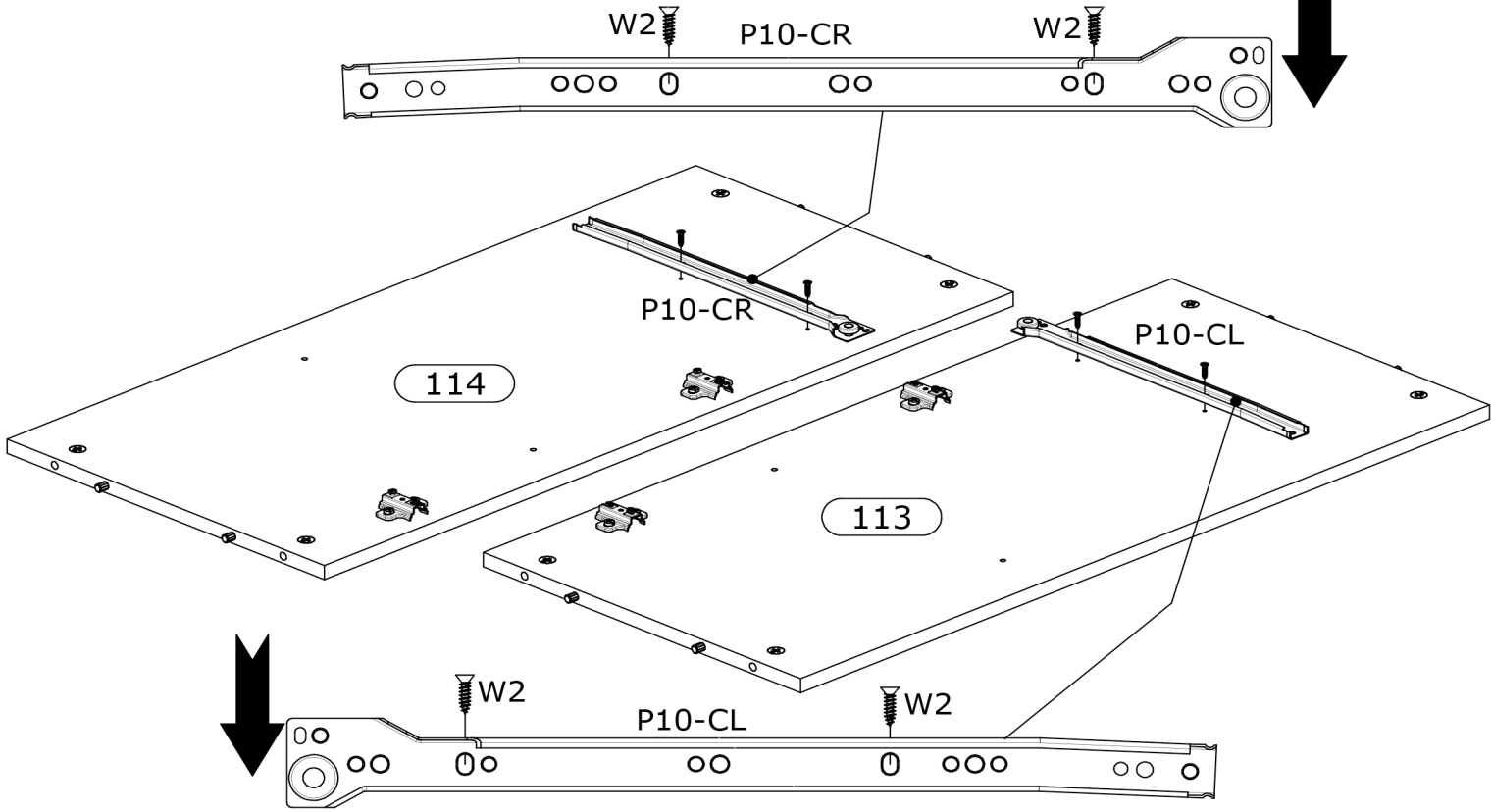
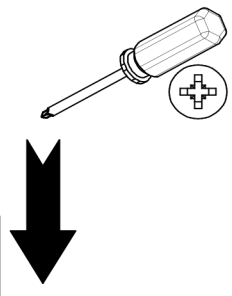
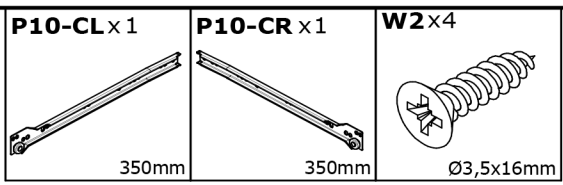
2



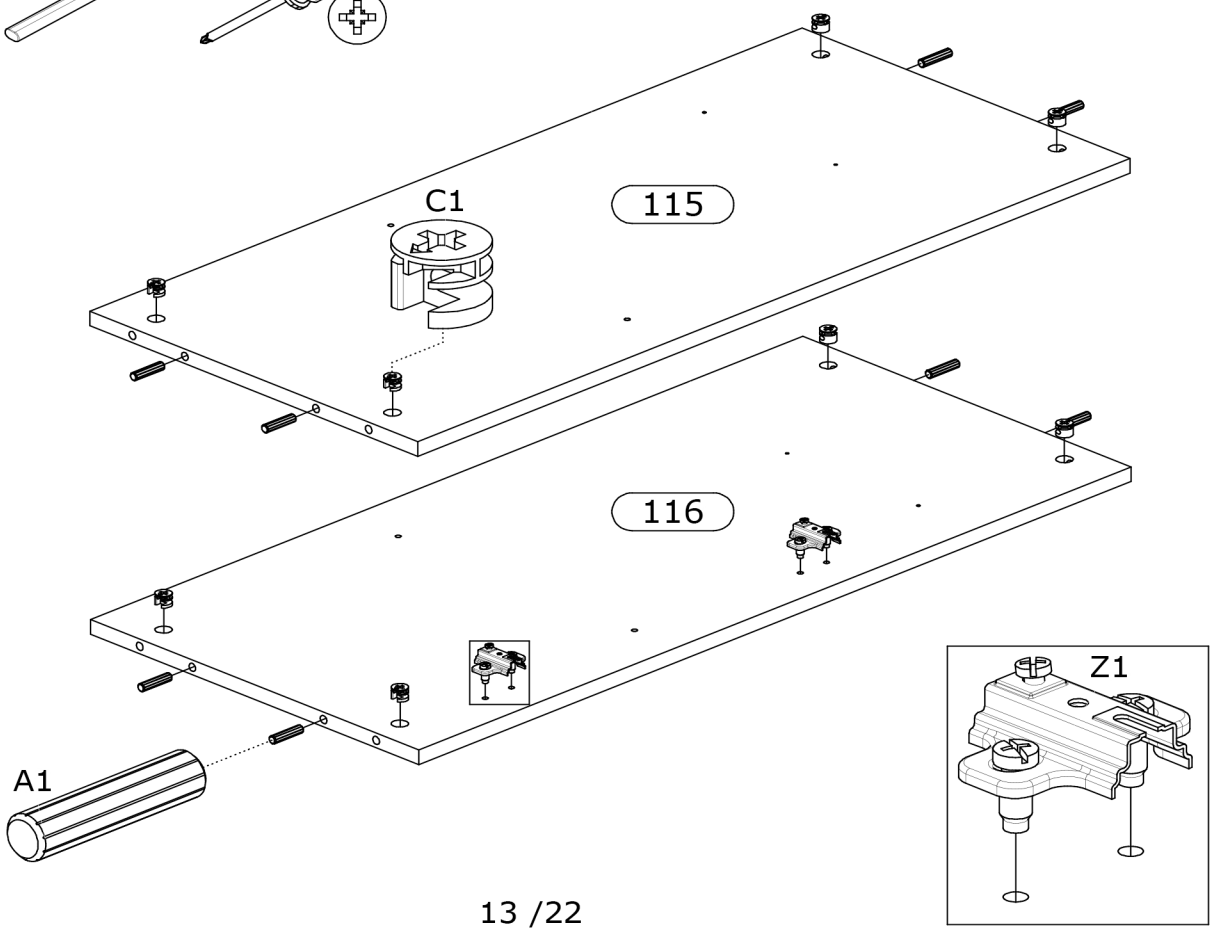
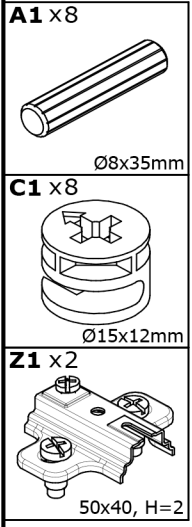
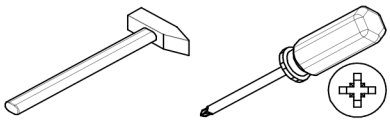
3



4

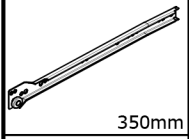


5

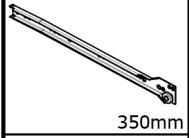


6

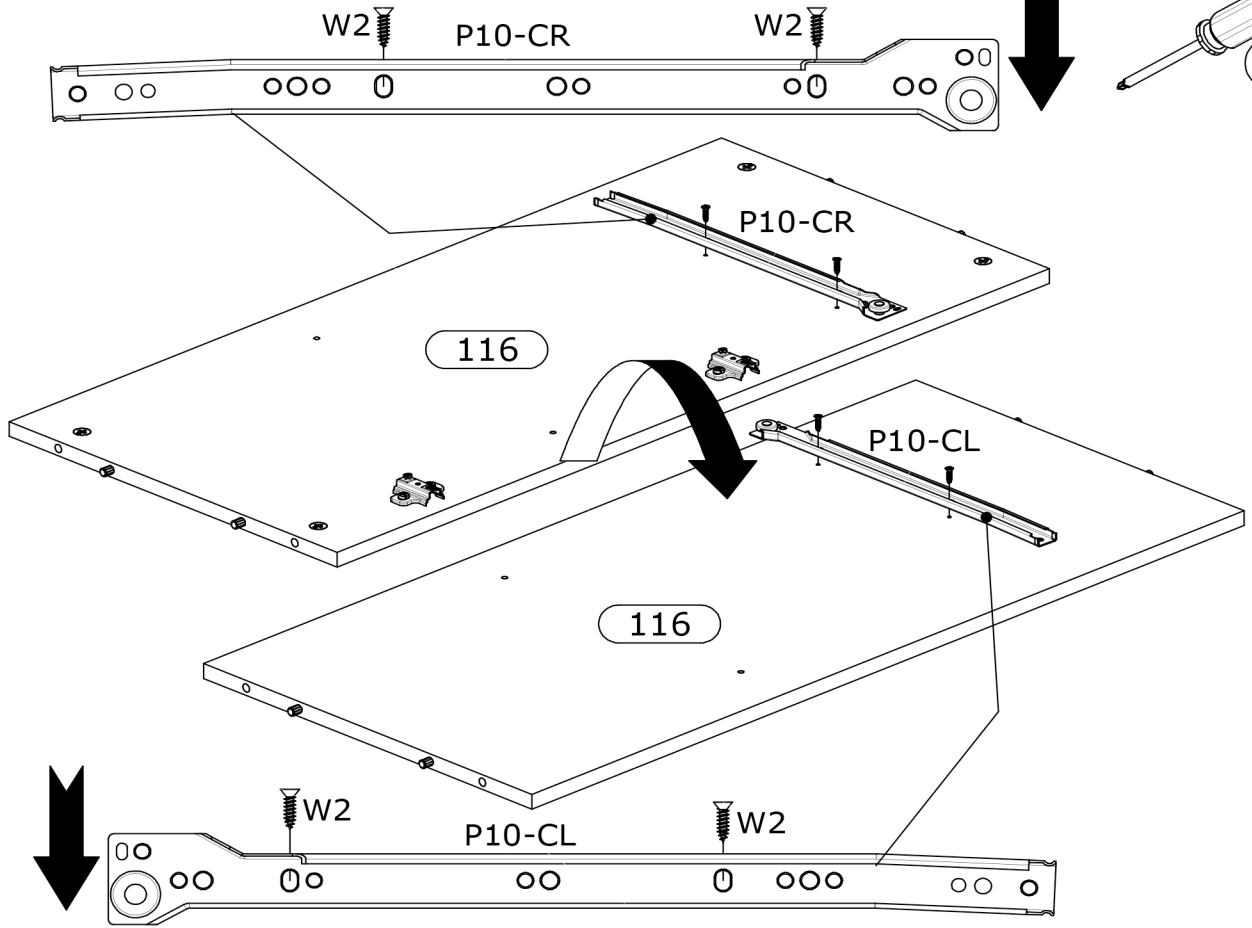
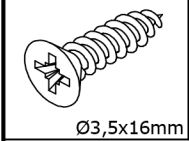
P10-CL x 1



P10-CR x 1

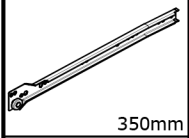


W2 x 4

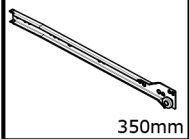


7

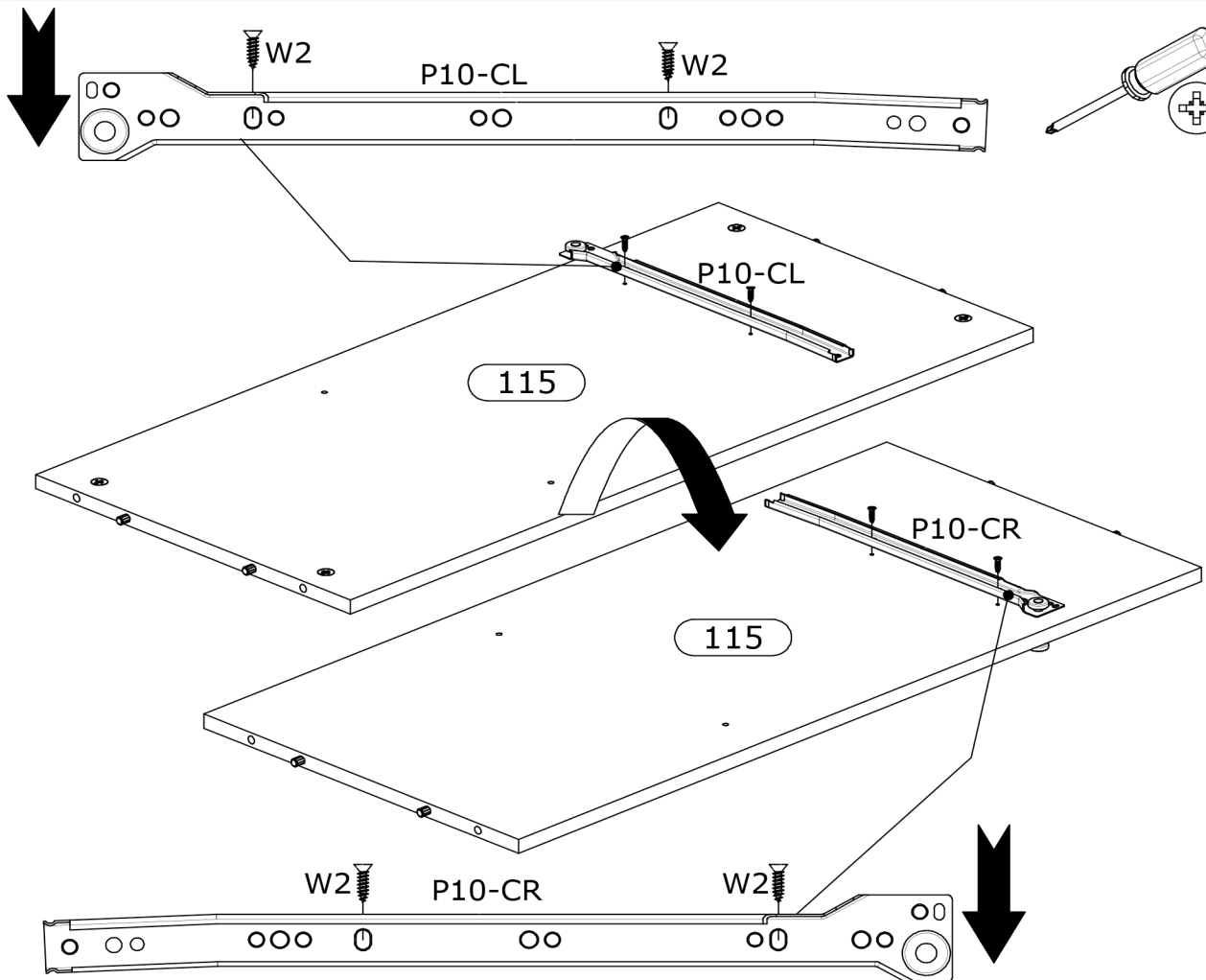
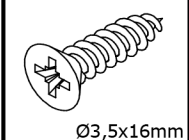
P10-CL x 1



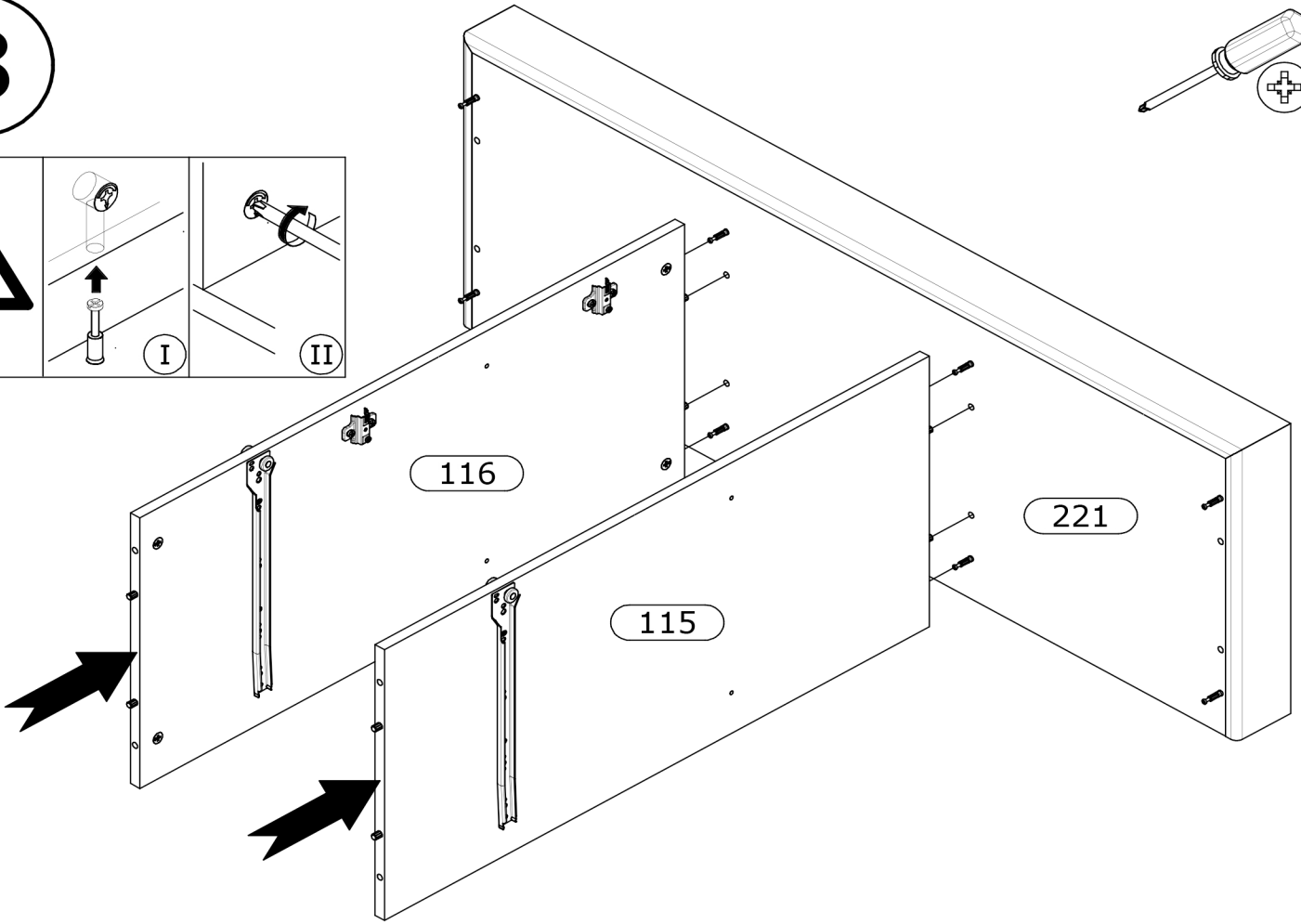
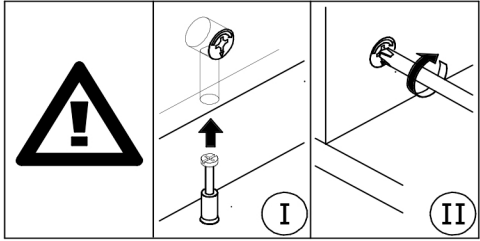
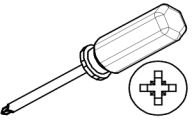
P10-CR x 1



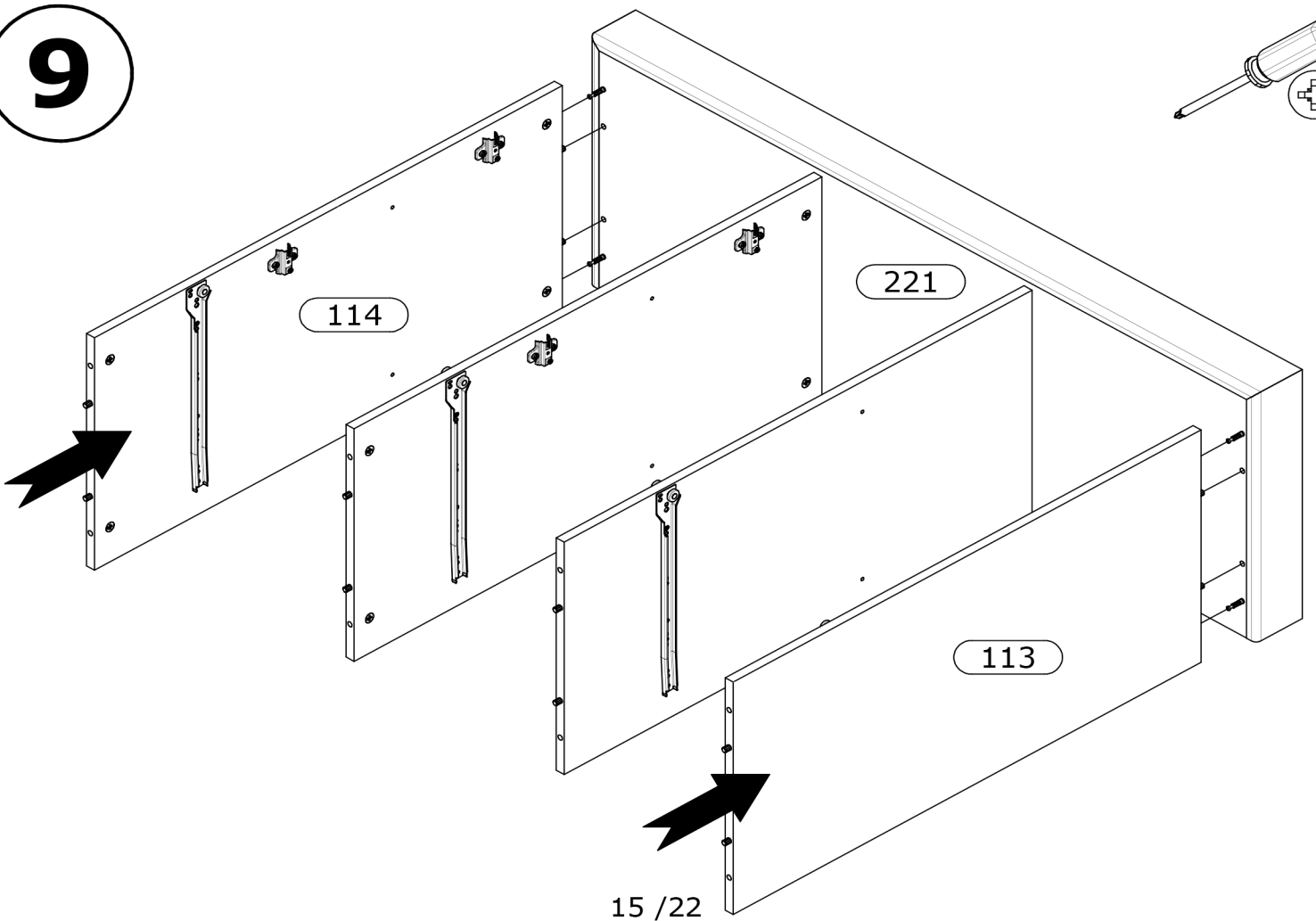
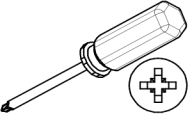
W2 x 4



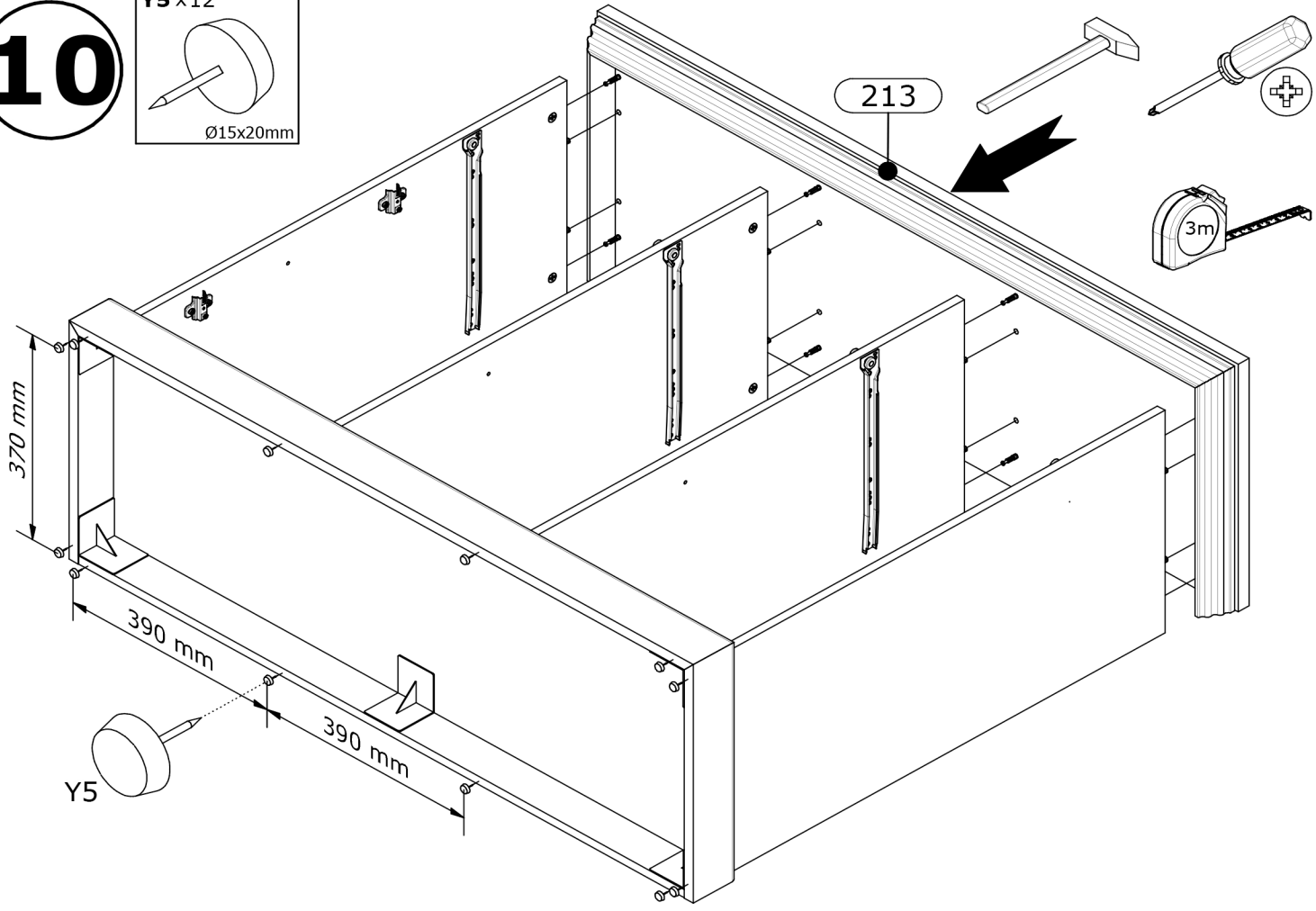
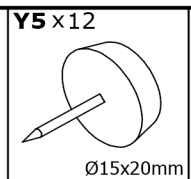
8



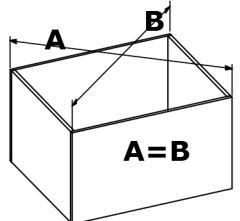
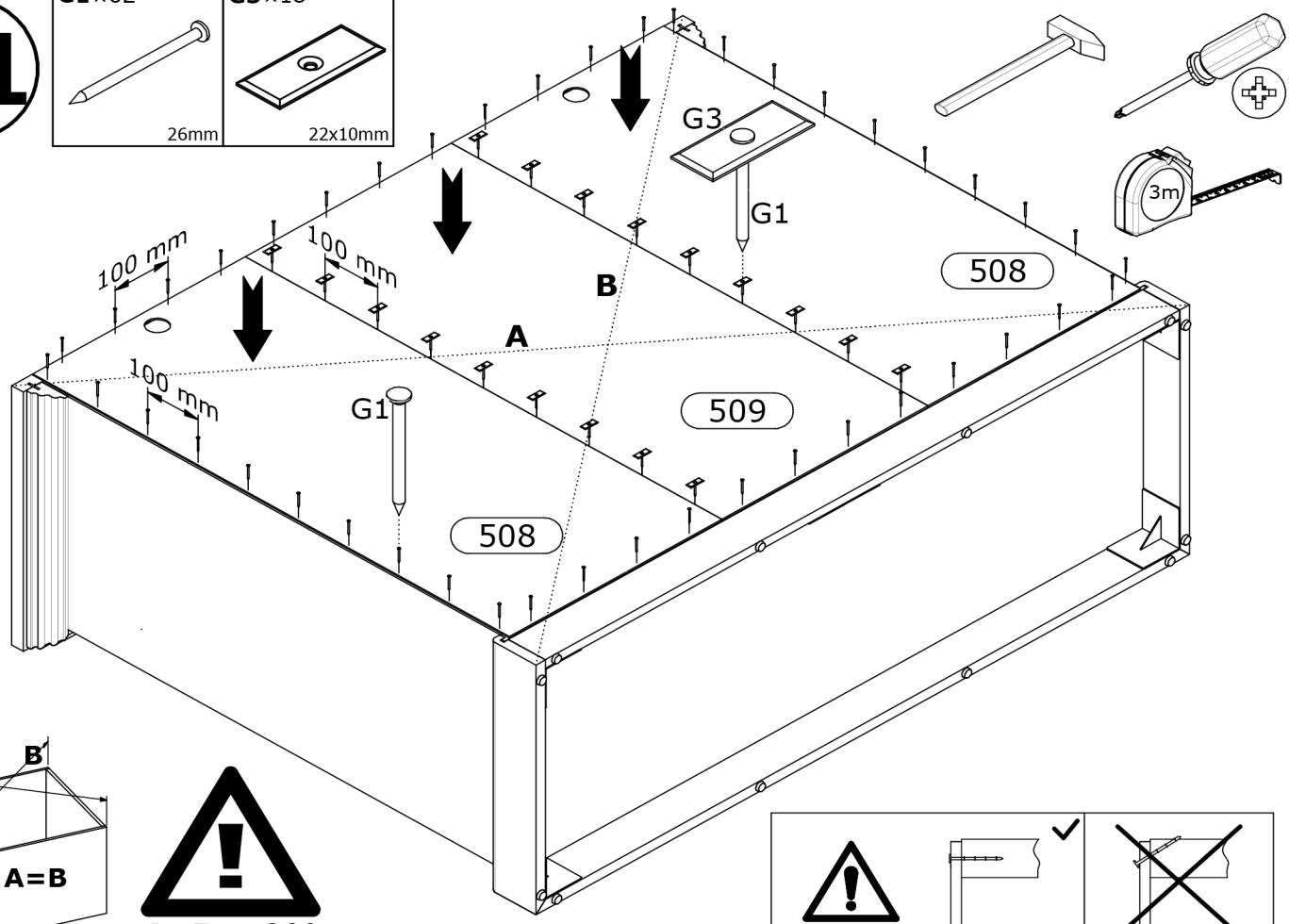
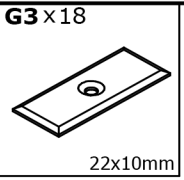
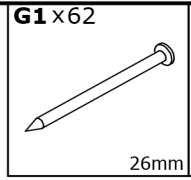
9



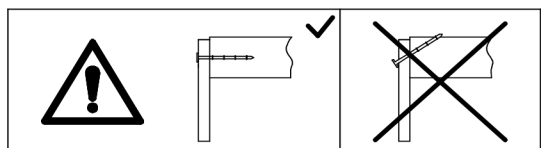
10



11

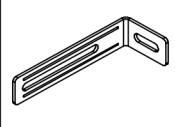


$A=B \equiv 90^\circ$



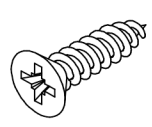
12

T4 x2

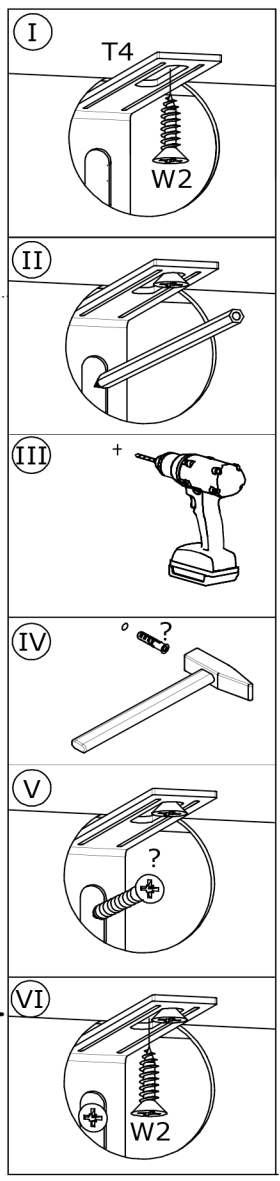
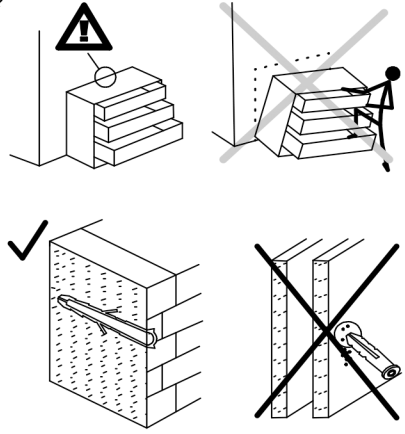
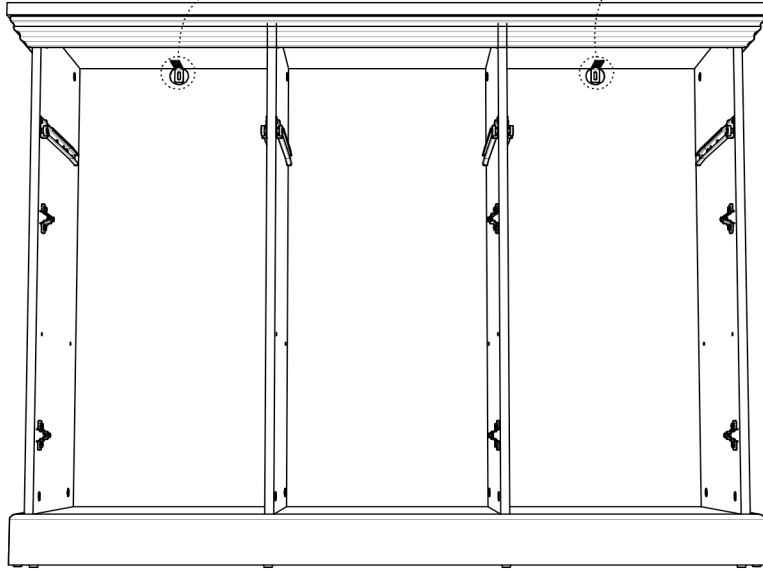
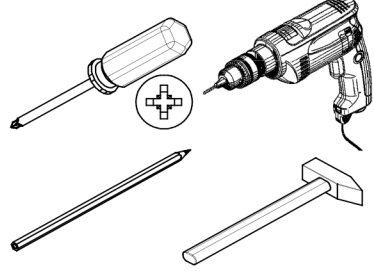
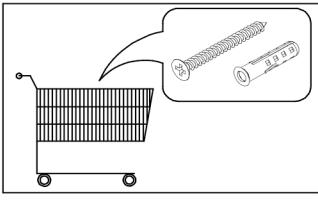


75x28x16 mm

W2 x4

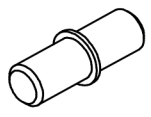


Ø3,5x16mm

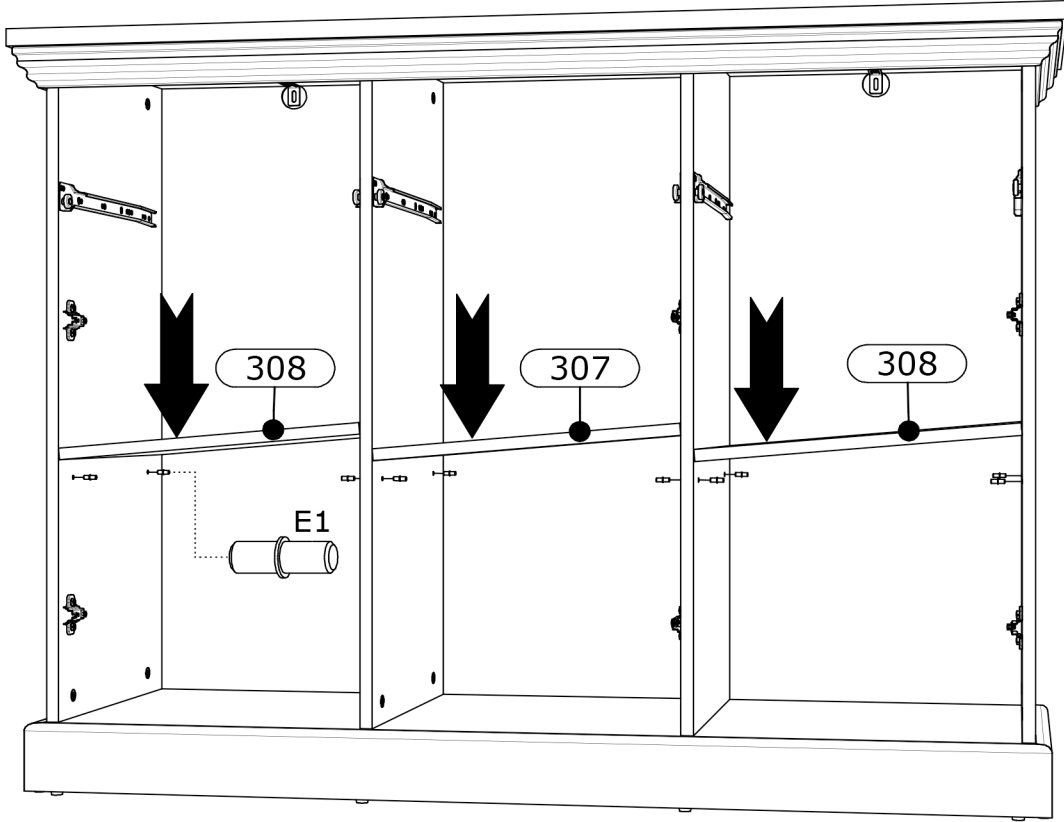
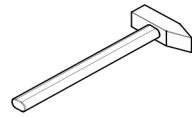


13

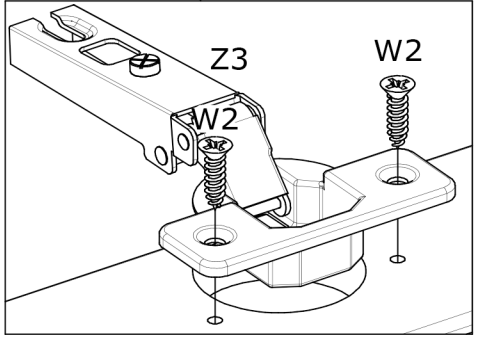
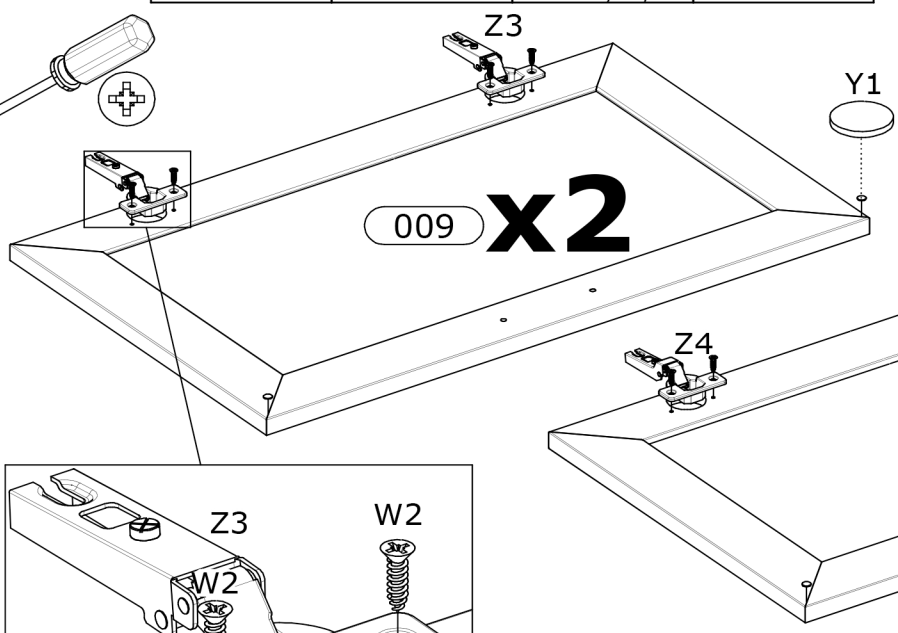
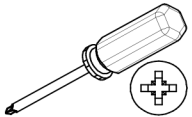
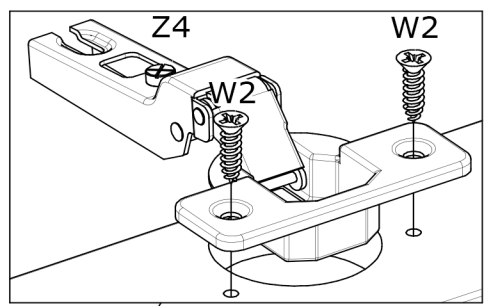
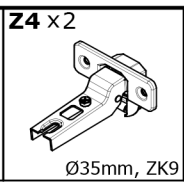
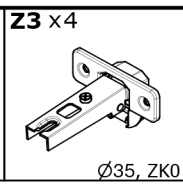
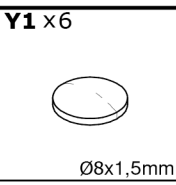
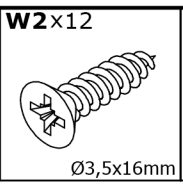
E1 x12



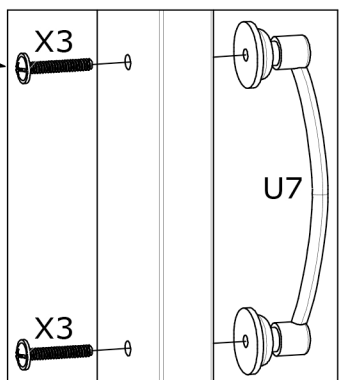
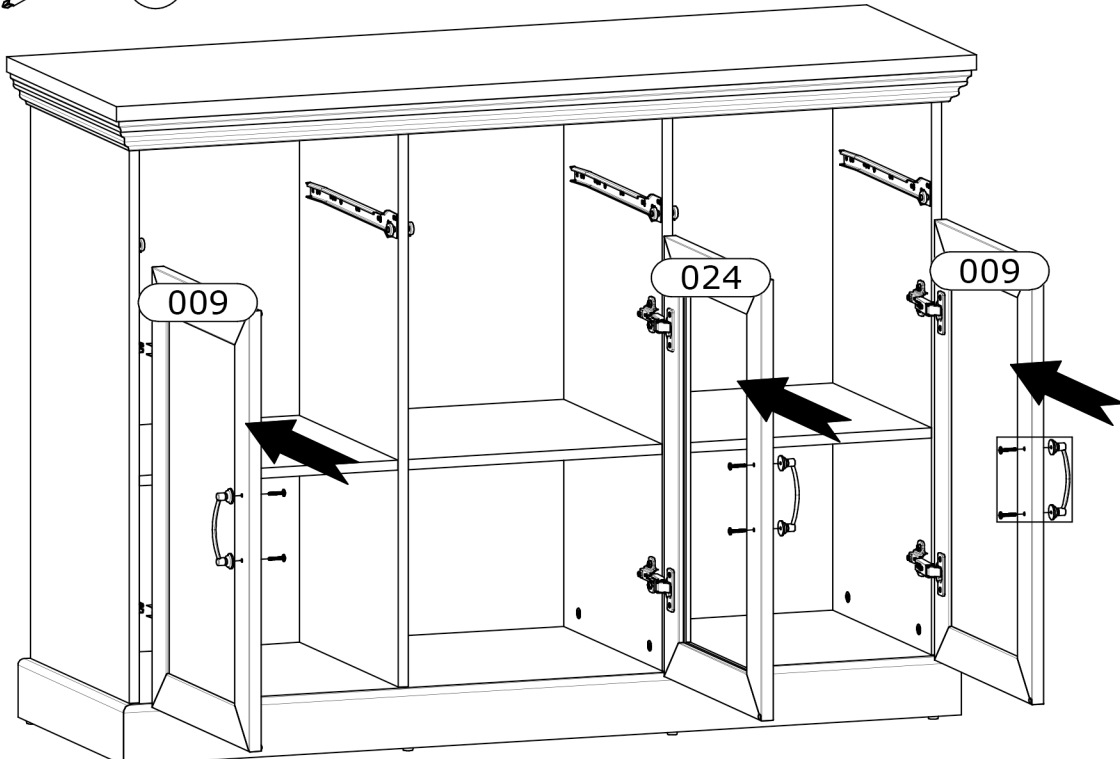
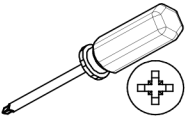
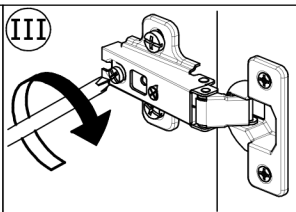
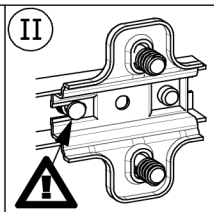
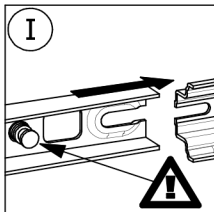
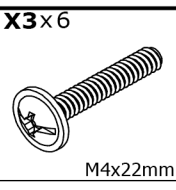
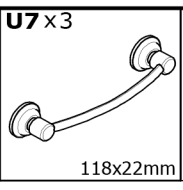
Ø5x16mm



14

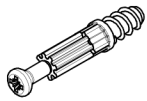


15



16

B1 x 6

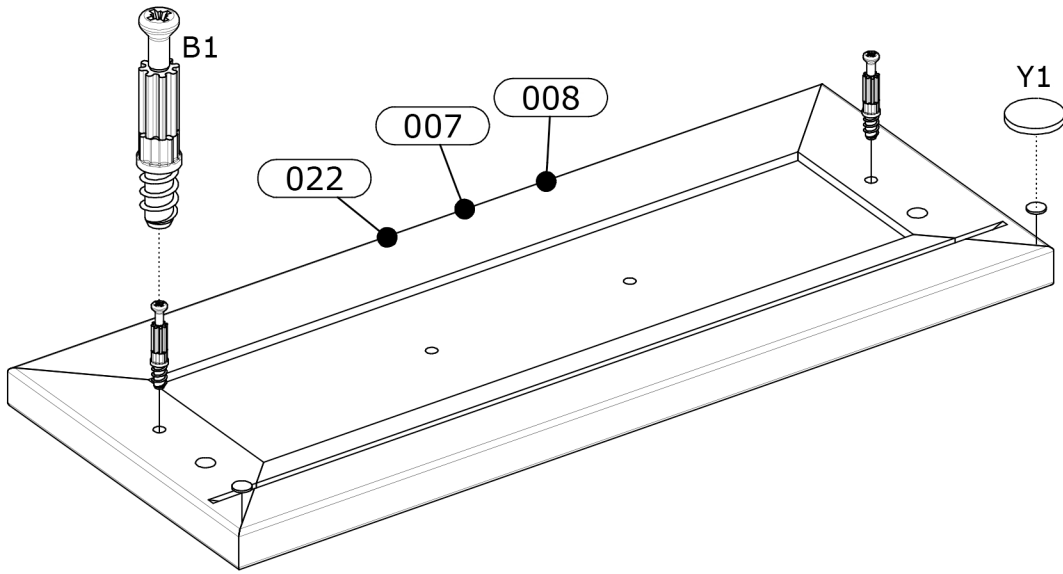
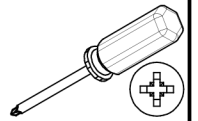


Ø5x38mm

Y1 x 6

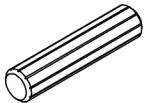


Ø8x1,5mm



17

A1 x 6

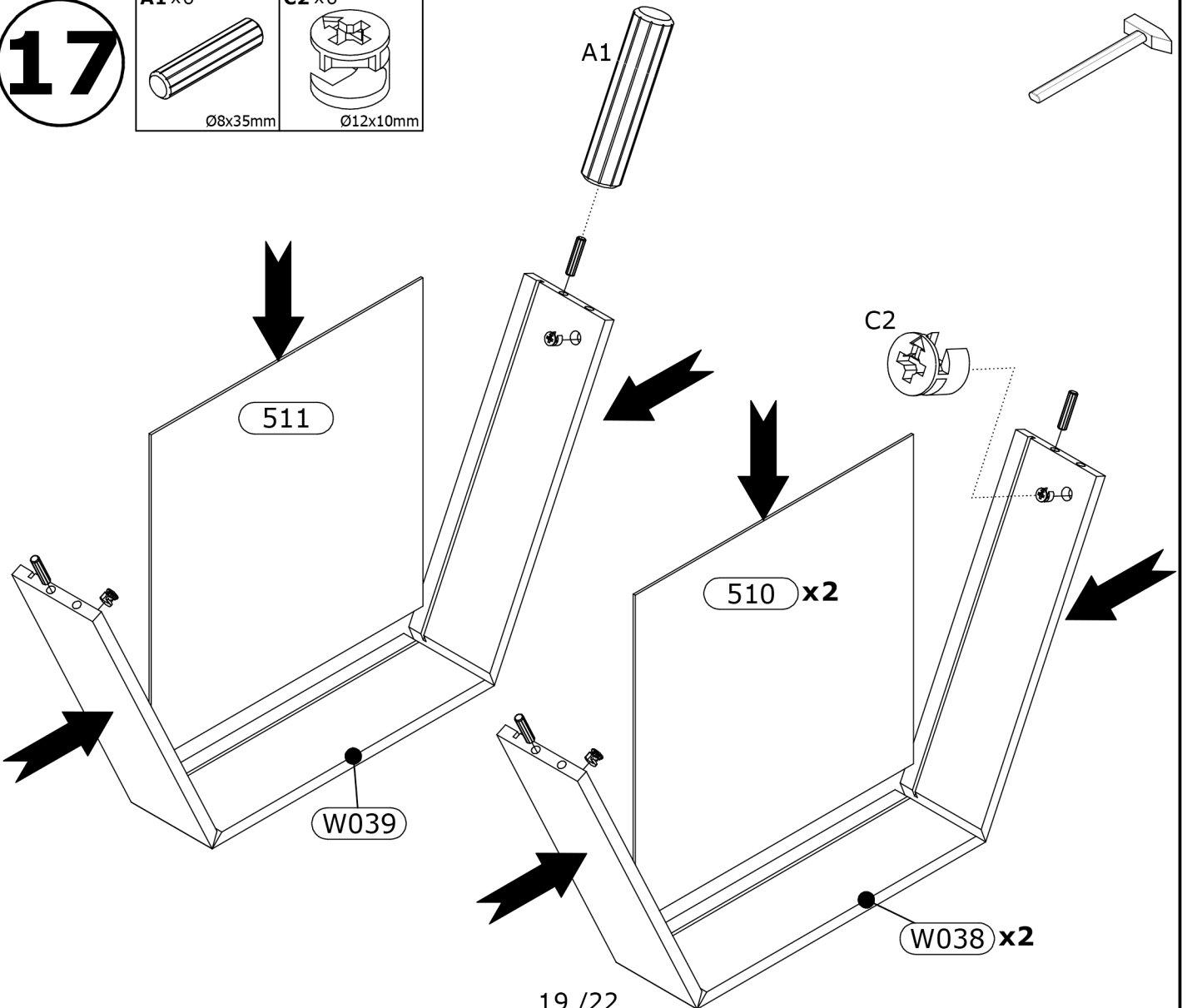
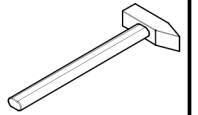


Ø8x35mm

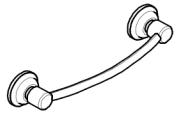
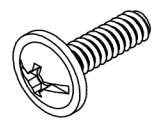
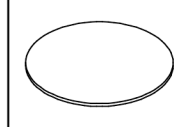
C2 x 6

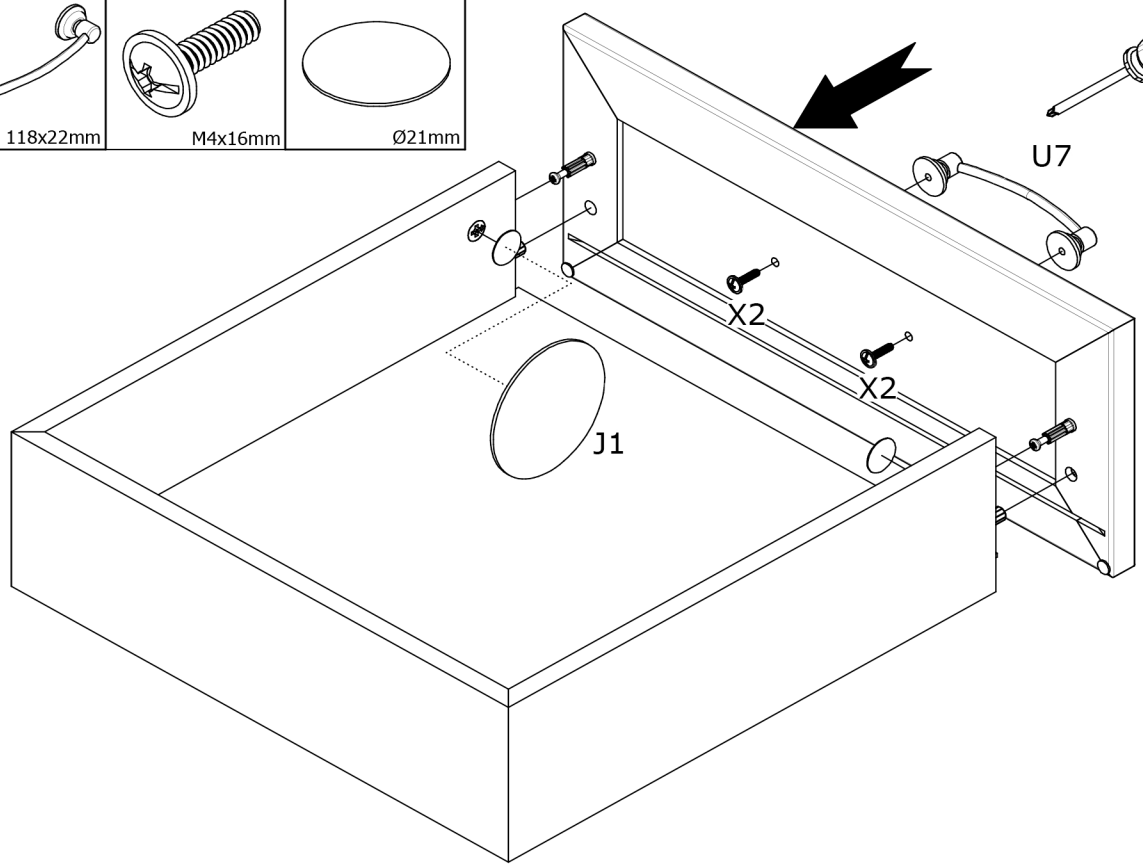


Ø12x10mm



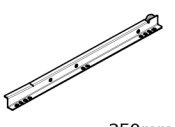
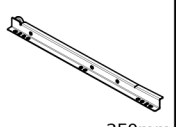
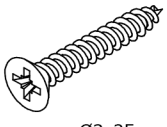
18

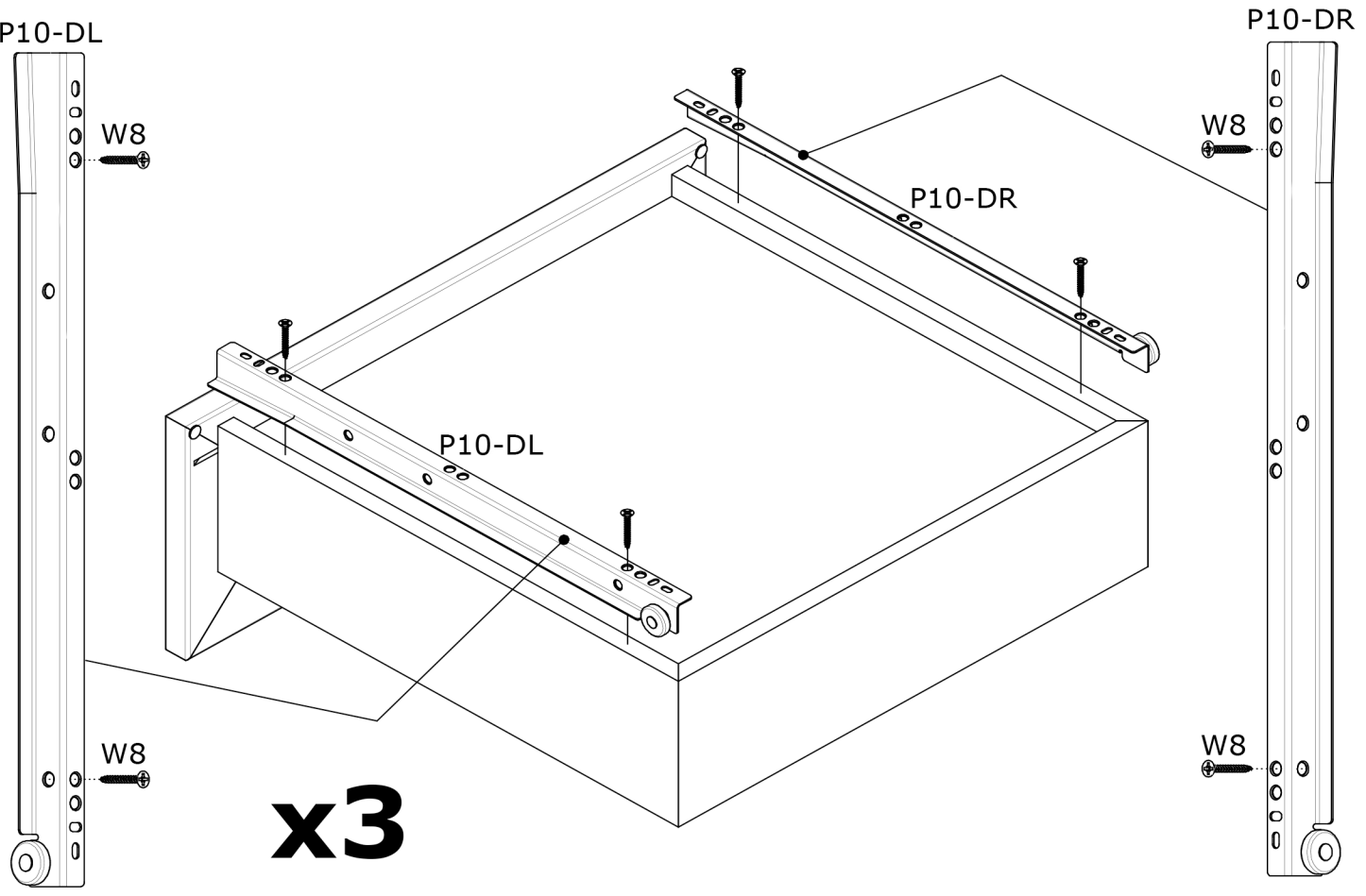
U7 x3  118x22mm	X2 x6  M4x16mm	J1 x6  Ø21mm
--	---	---



x3

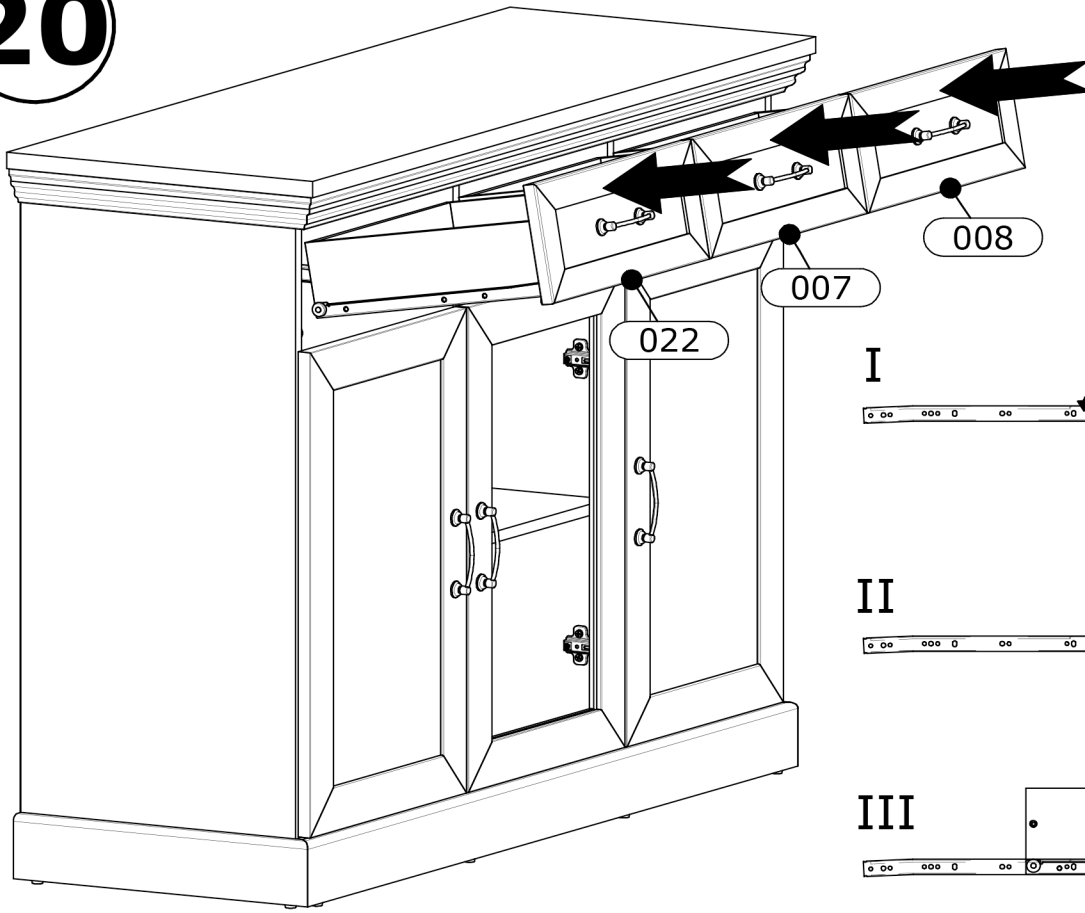
19

P10-DL x3  350mm	P10-DR x3  350mm	W8 x12  Ø3x25mm
---	---	--



x3

20



21

