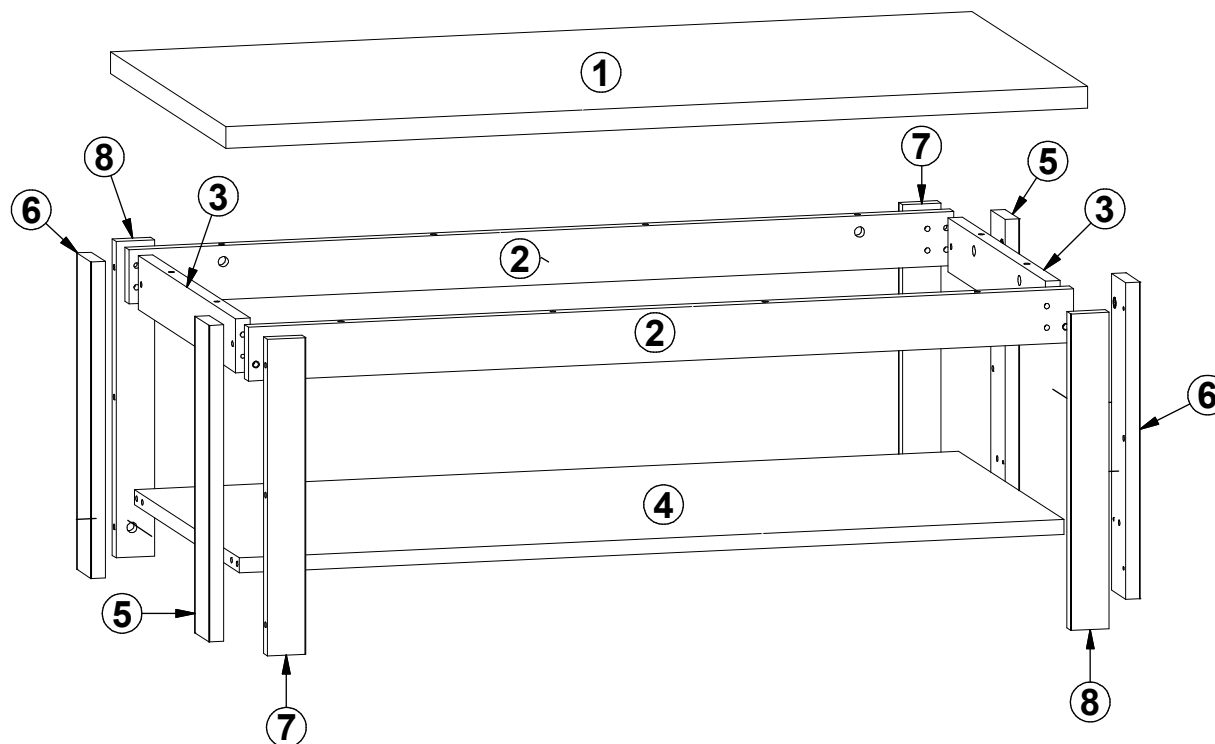
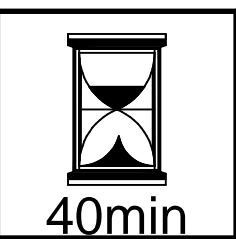
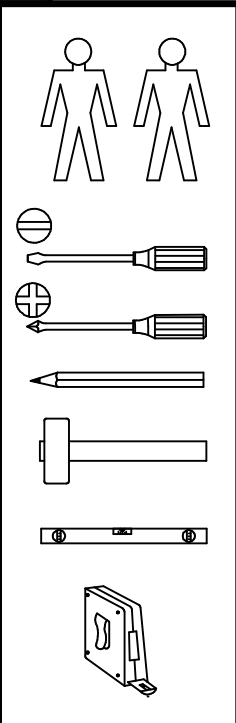
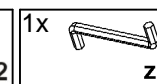
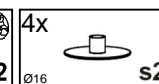
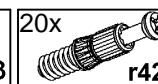
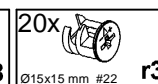
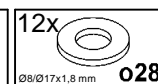
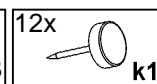
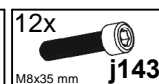
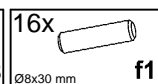
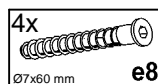
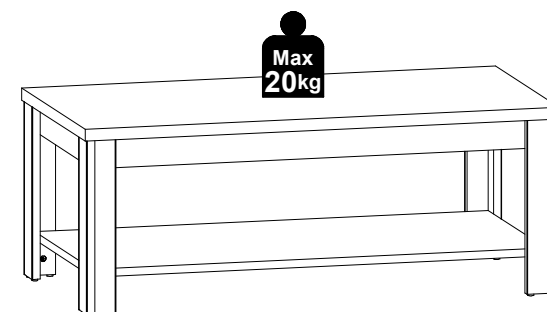


A**D05021-LAW/5/13**

2 / 8



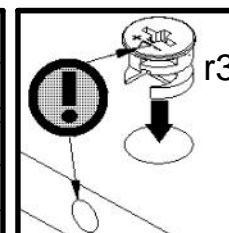
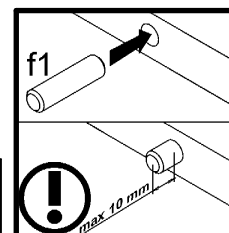
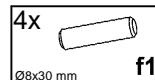
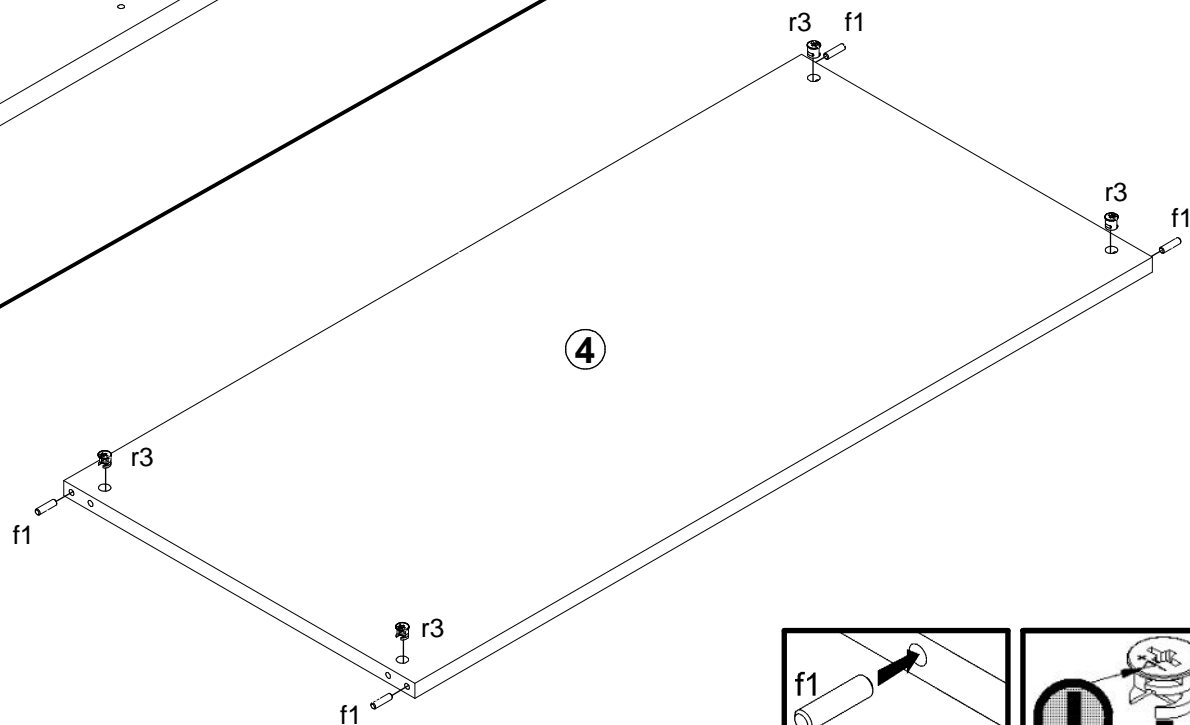
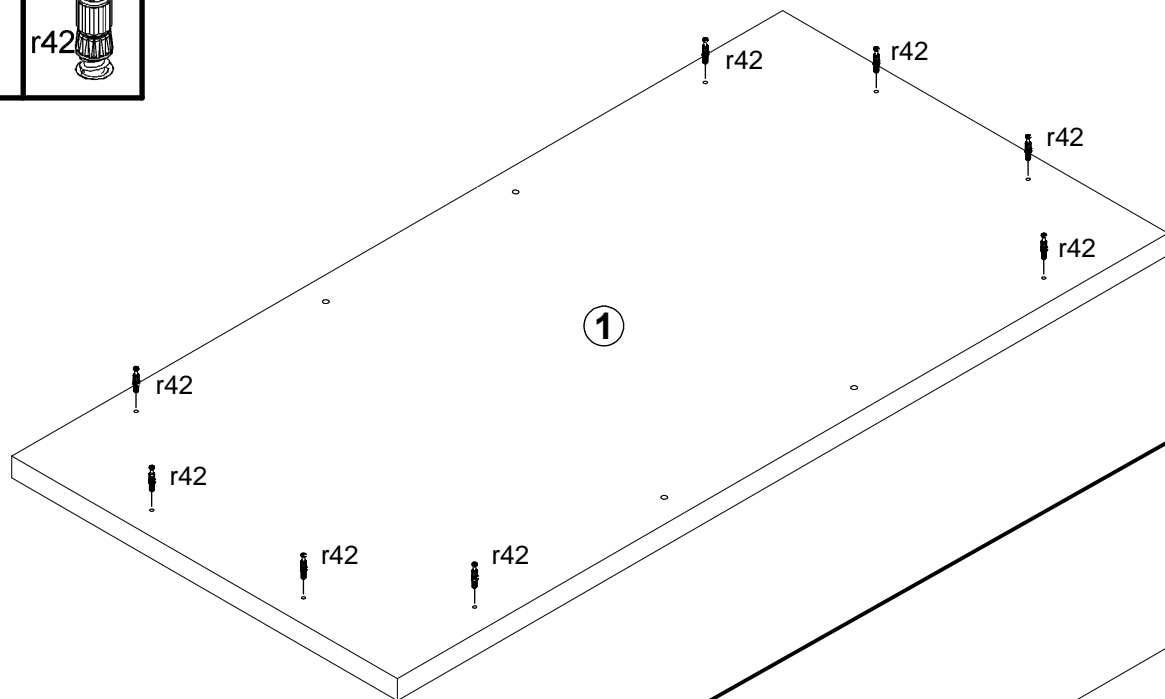
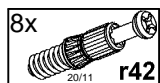
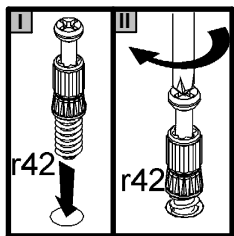
A	B	C1	C2	C3	D
1	S214-209	1300	650	32	1/1
2	S214-406	1245	80	22	1/1
3	S214-407	549	80	22	1/1
4	S248-3020	1244	592	22	1/1
5	D05021-5502	468	80	22,	1/1
6	D05021-5504	468	80	22,	1/1
7	D05021-5501	468	58,	22	1/1
8	D05021-5503	468	58,	22	1/1

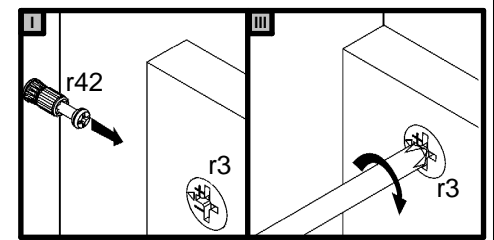
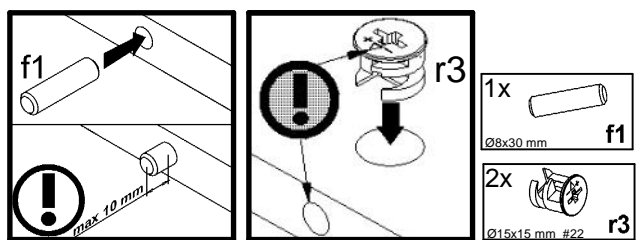
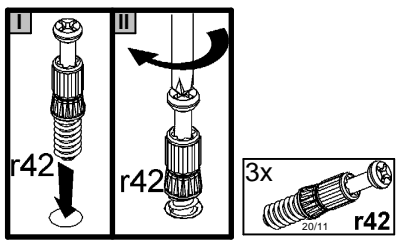
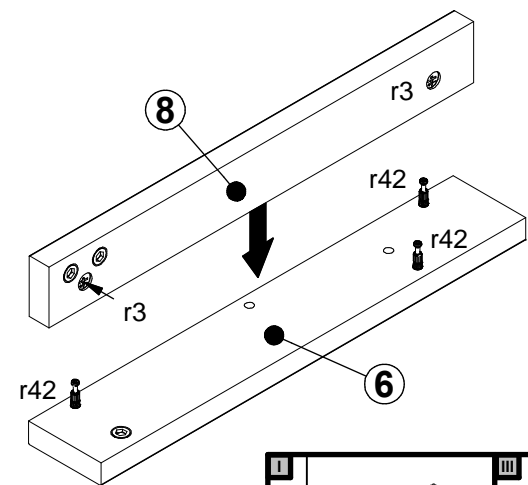
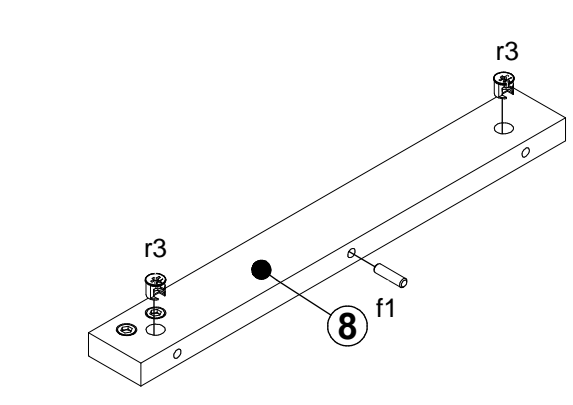
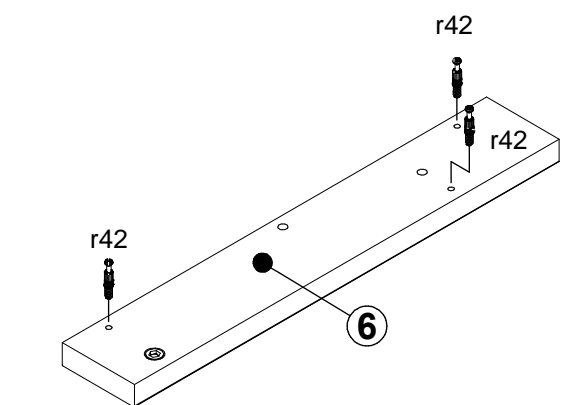
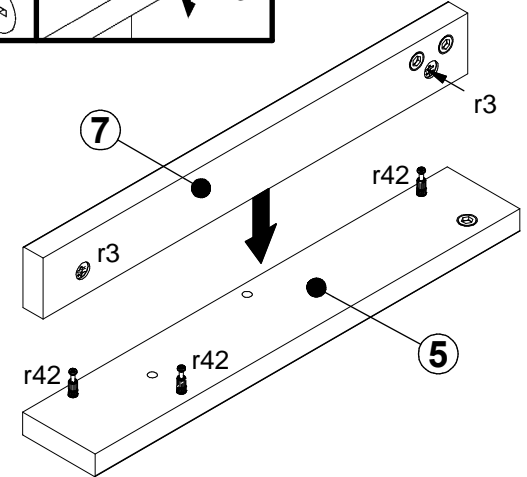
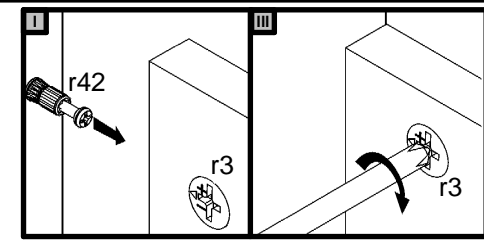
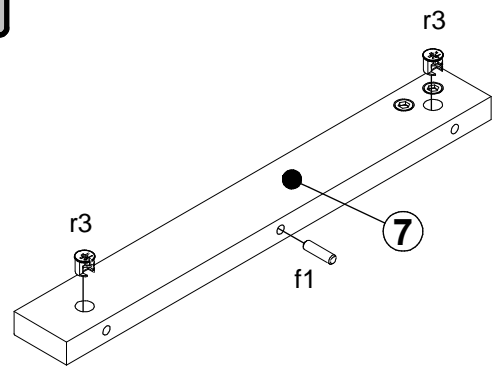
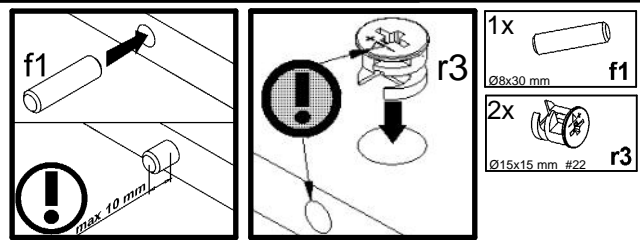
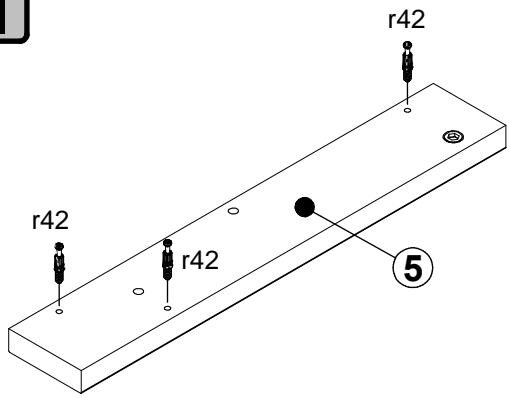
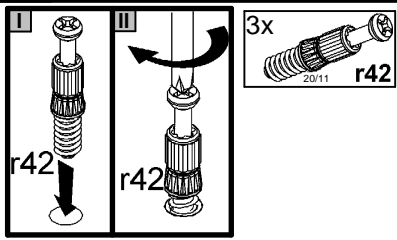


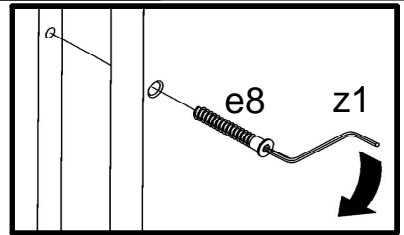
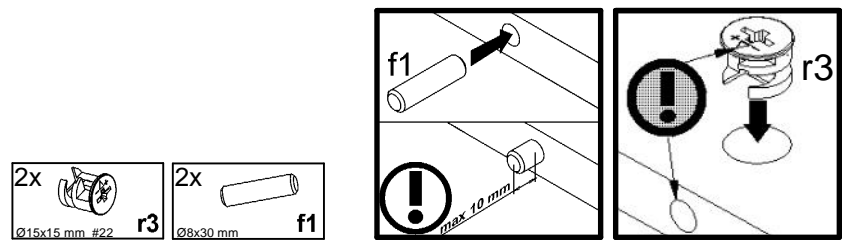
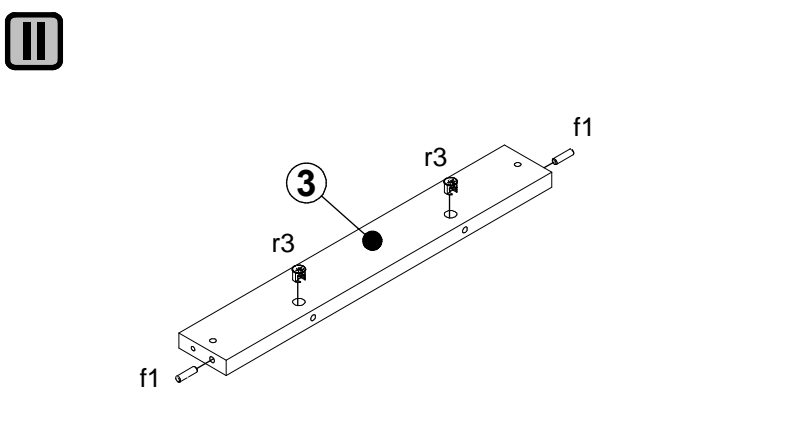
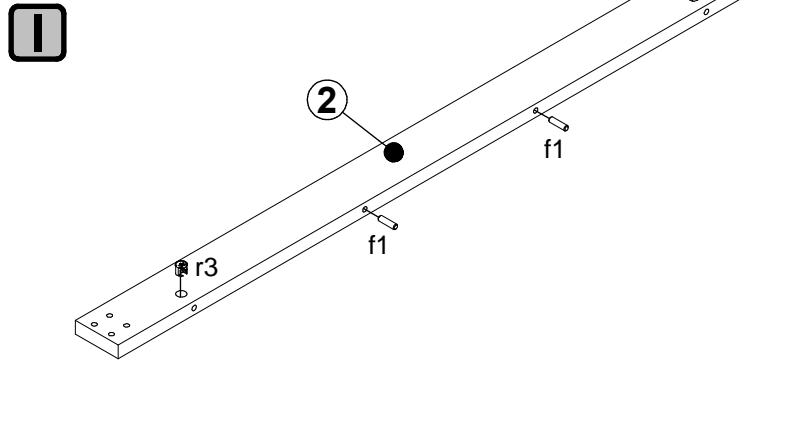
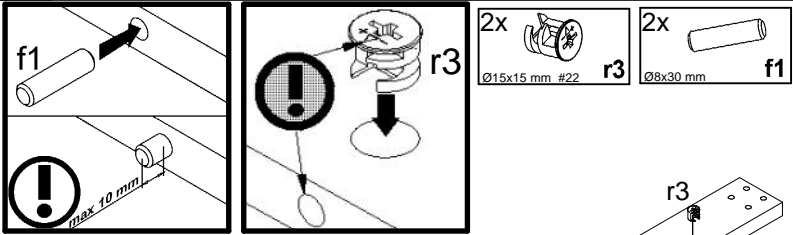
A

D05021-LAW/5/13

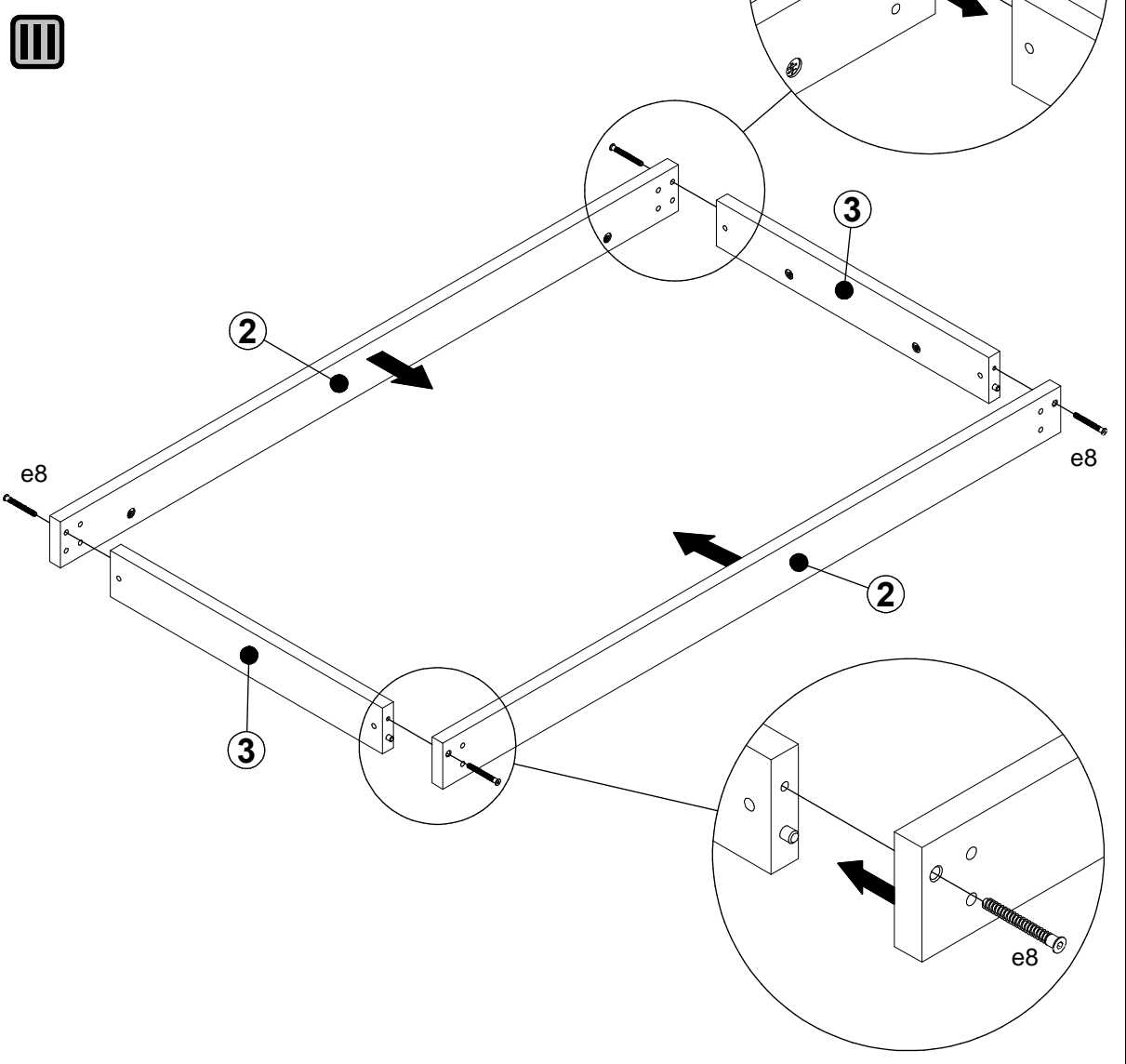
3 / 8



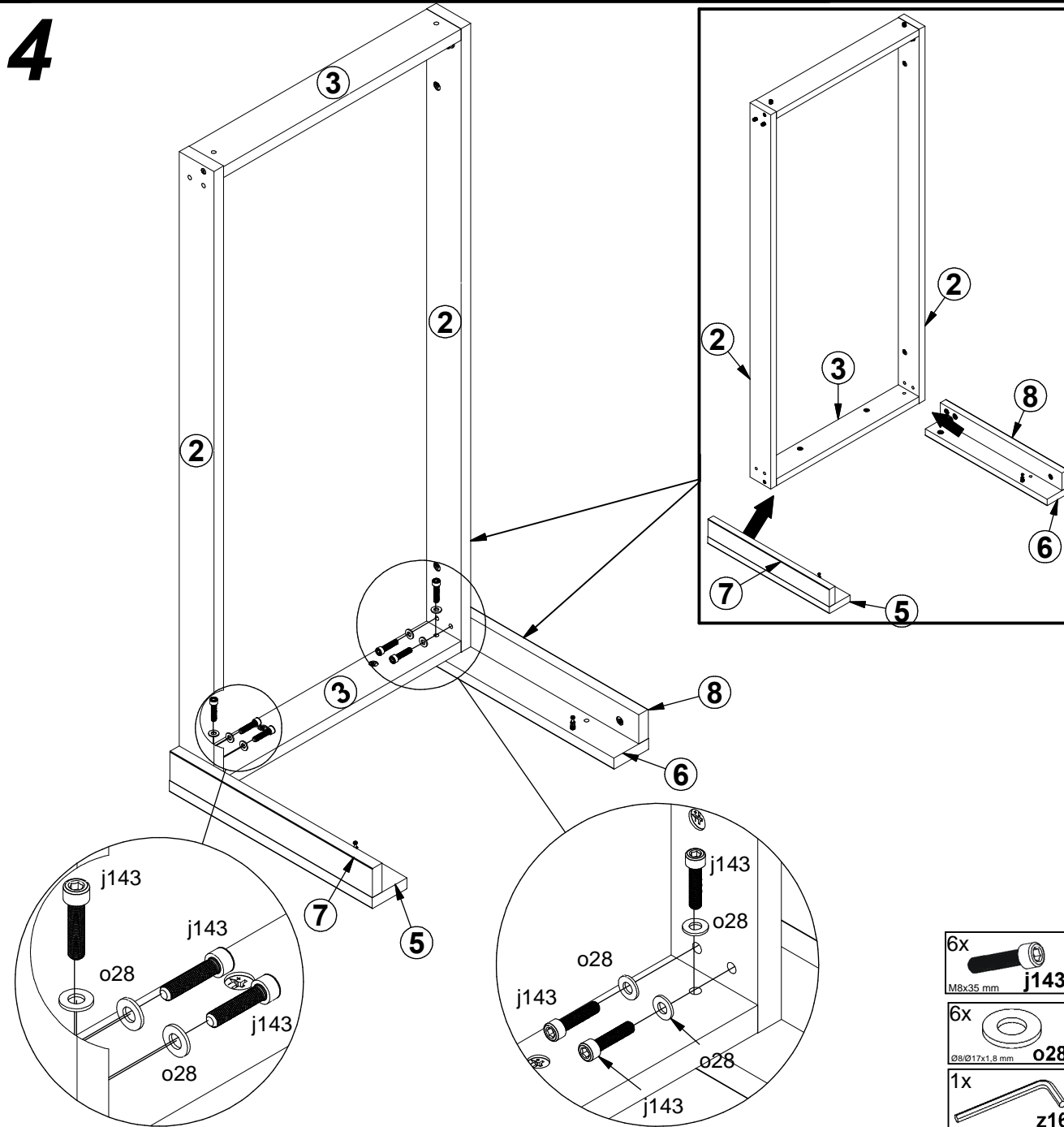




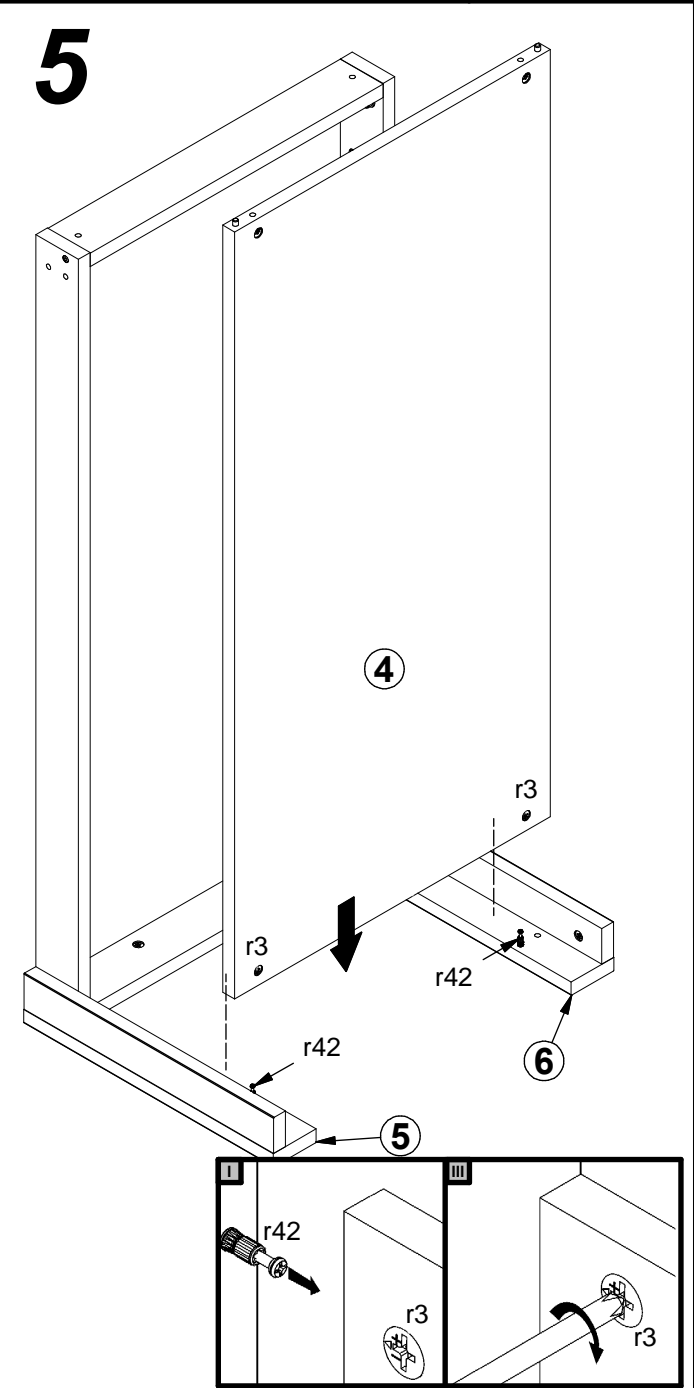
3

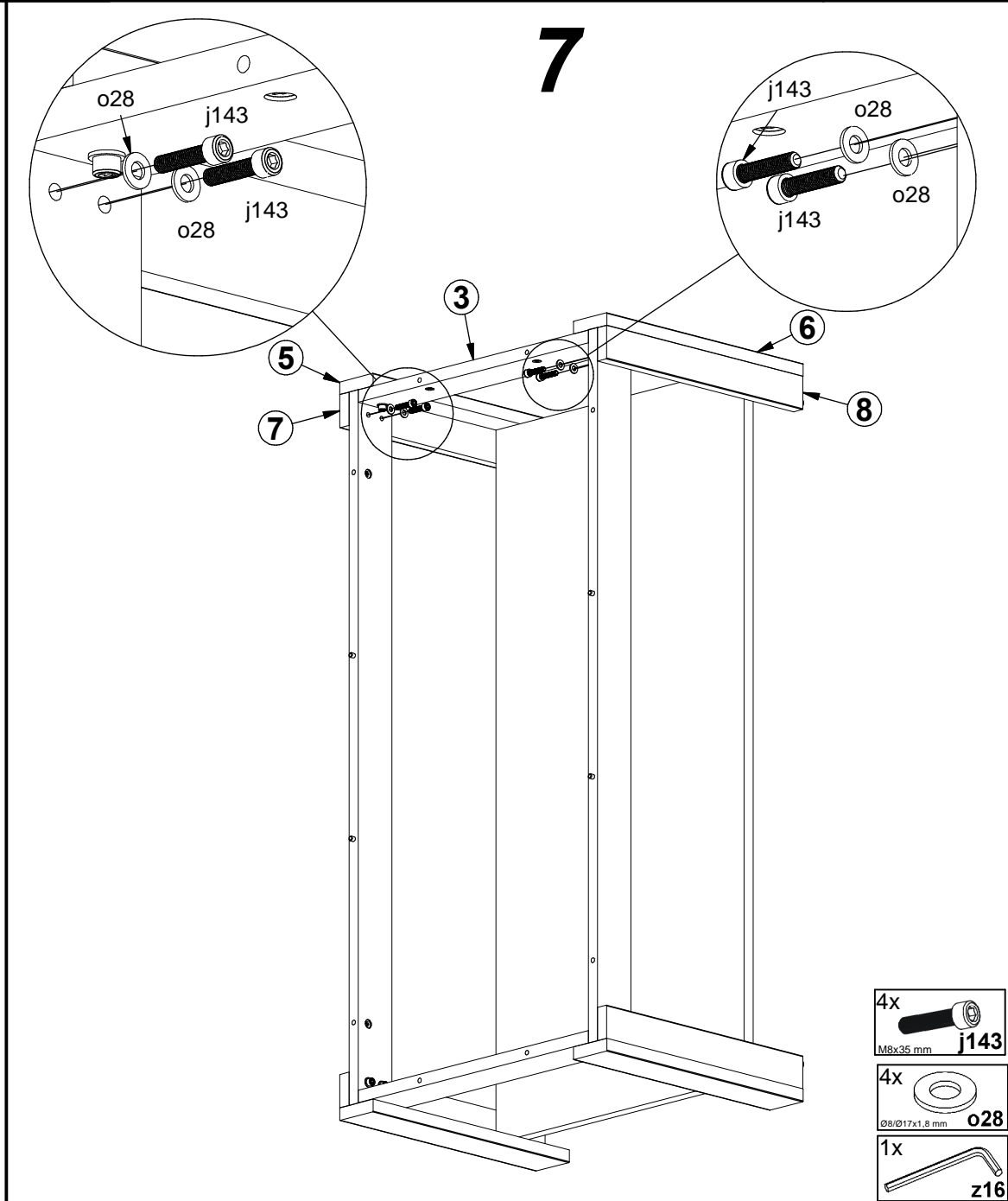
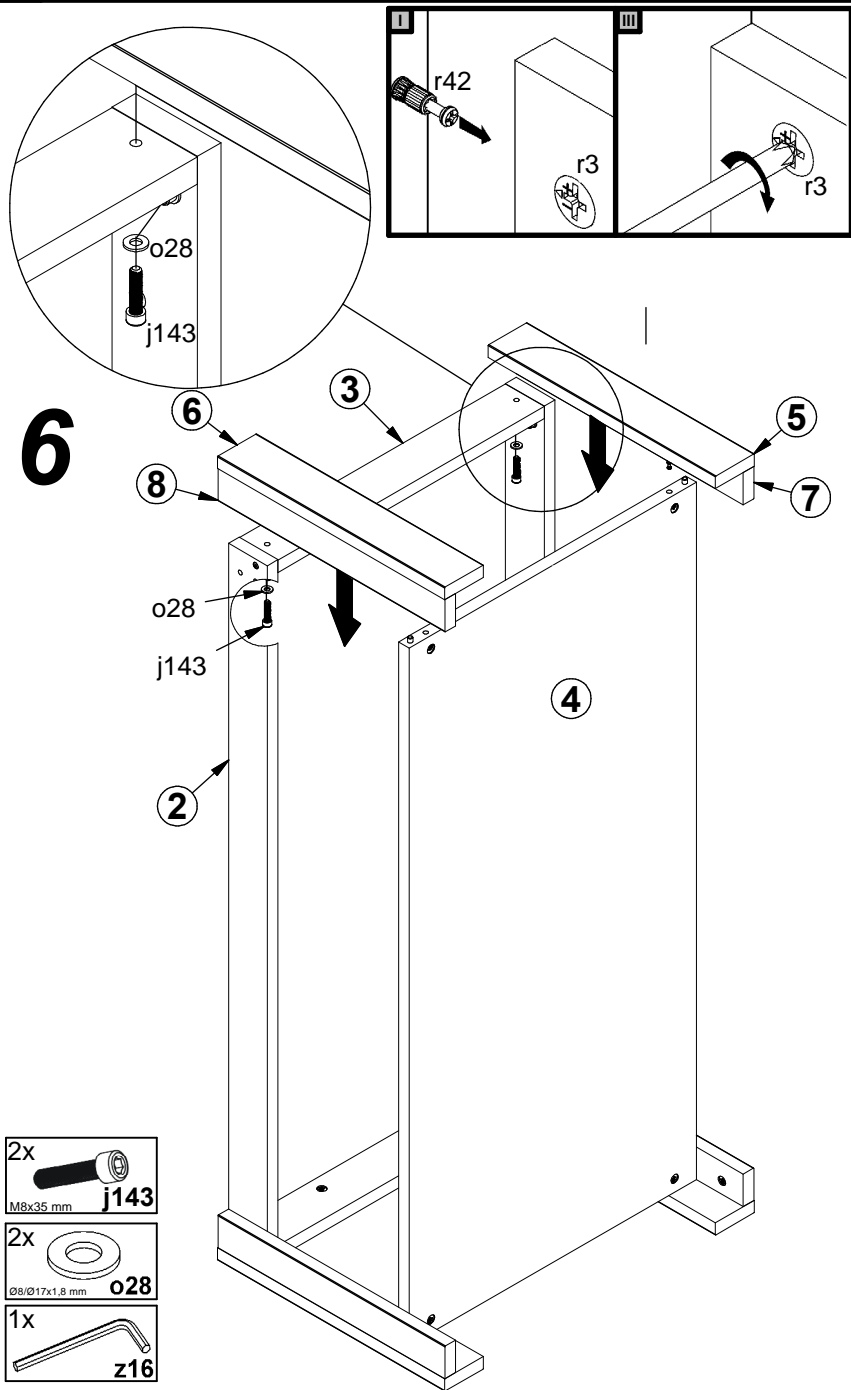


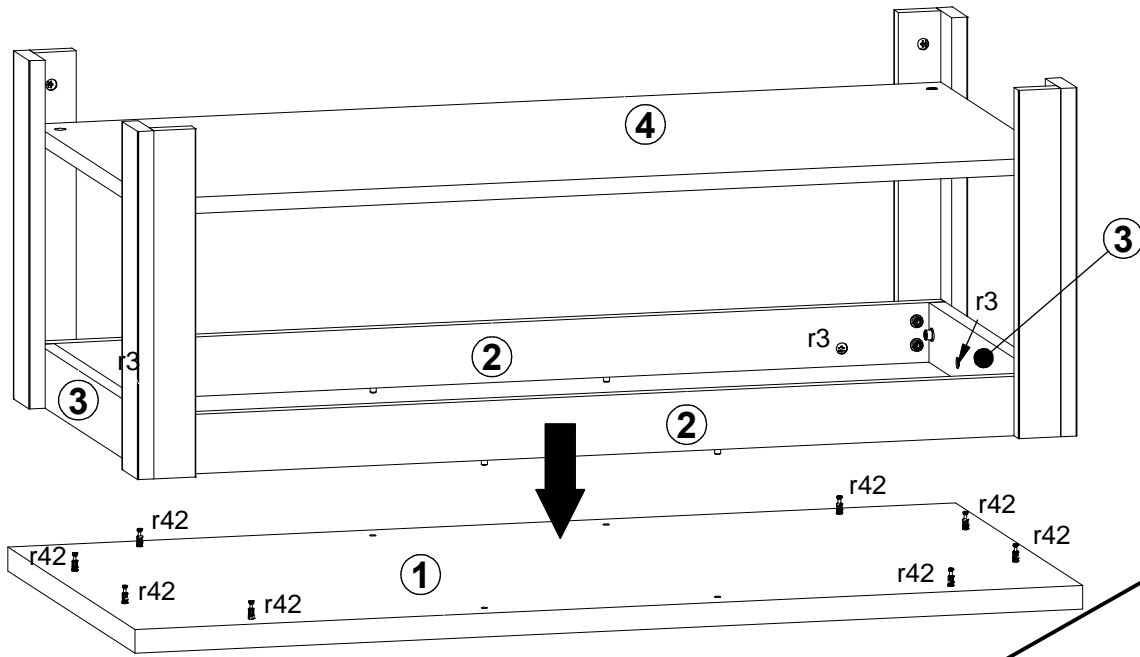
4



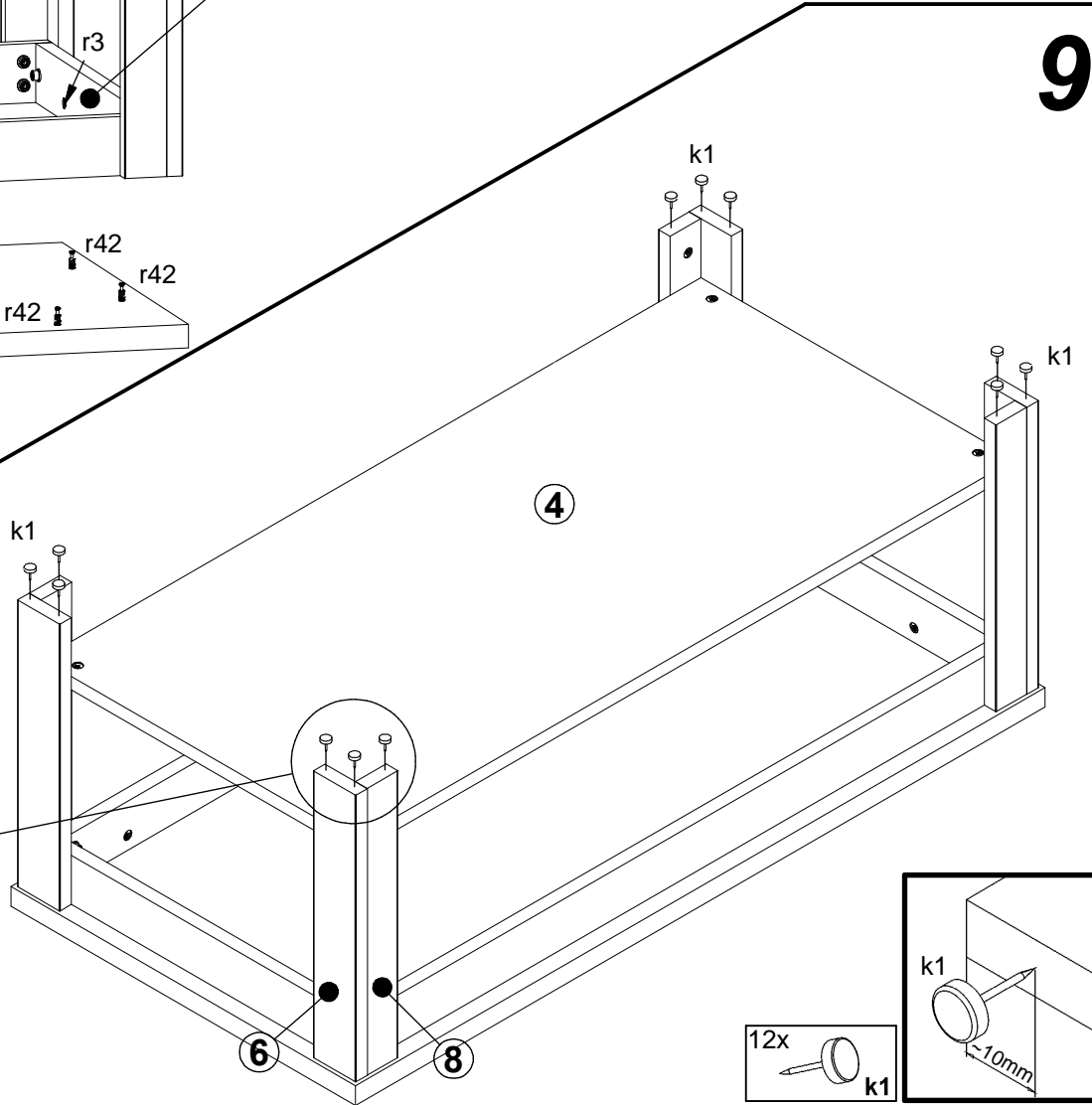
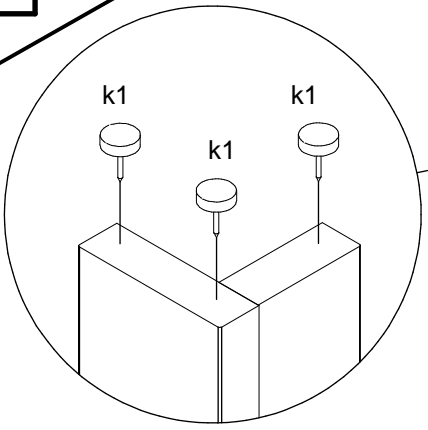
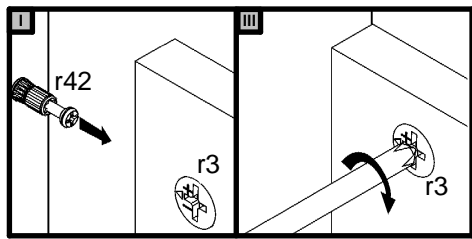
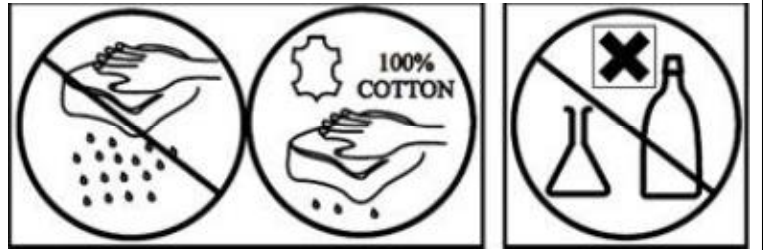
5







8



9

