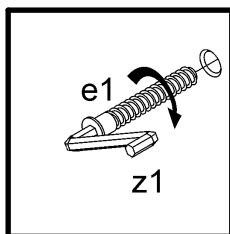
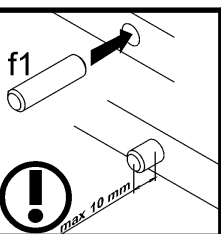
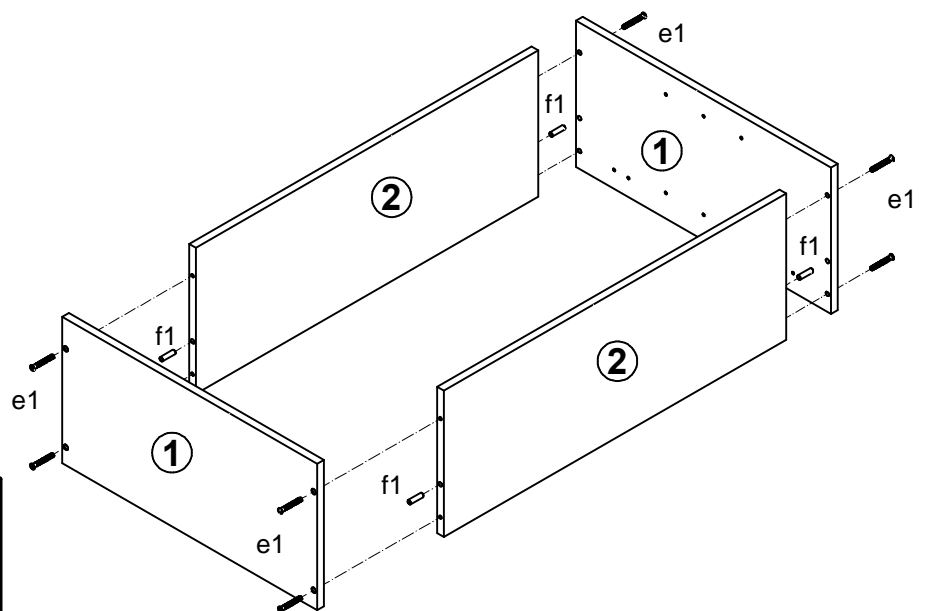
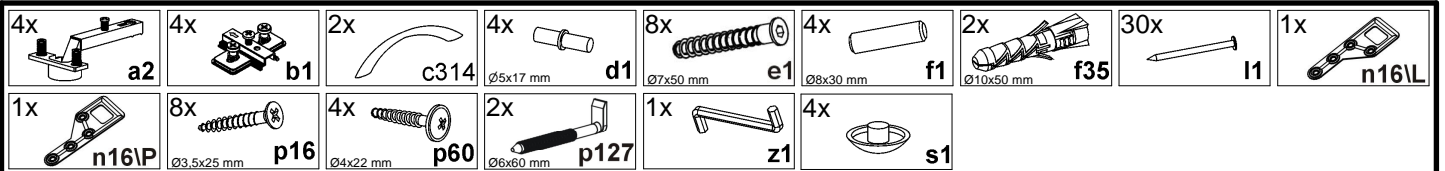
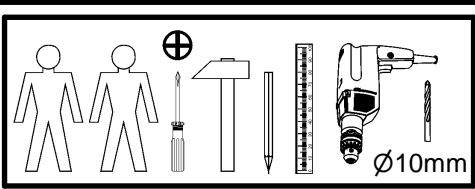
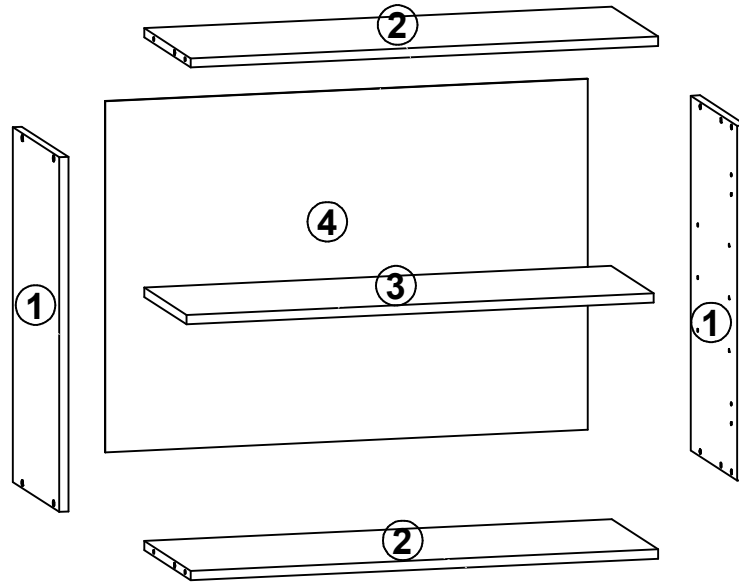
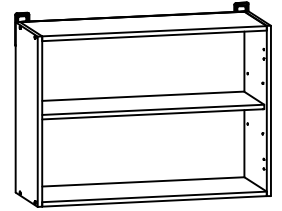


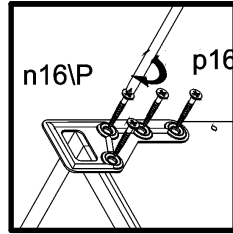
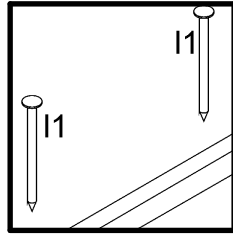
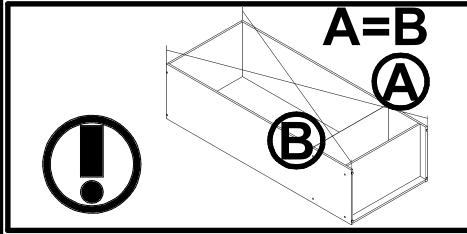
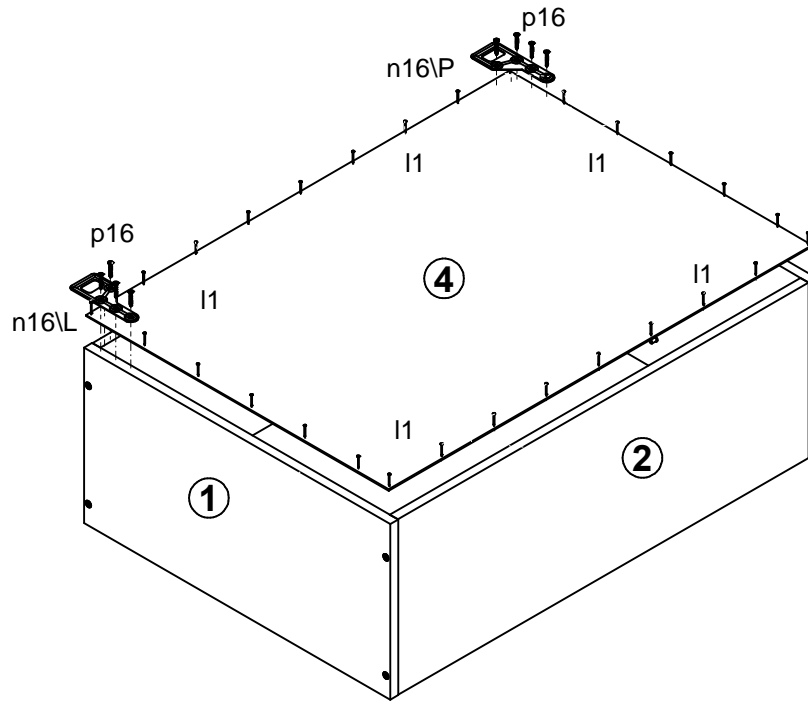
Junona Line

K22-G2W/80/57

A	B	C	D
1	K22-120	573	285
2	K22-328	769	285
3	K22-329	768	260
4	K22-919	567	793



2 §6



3

