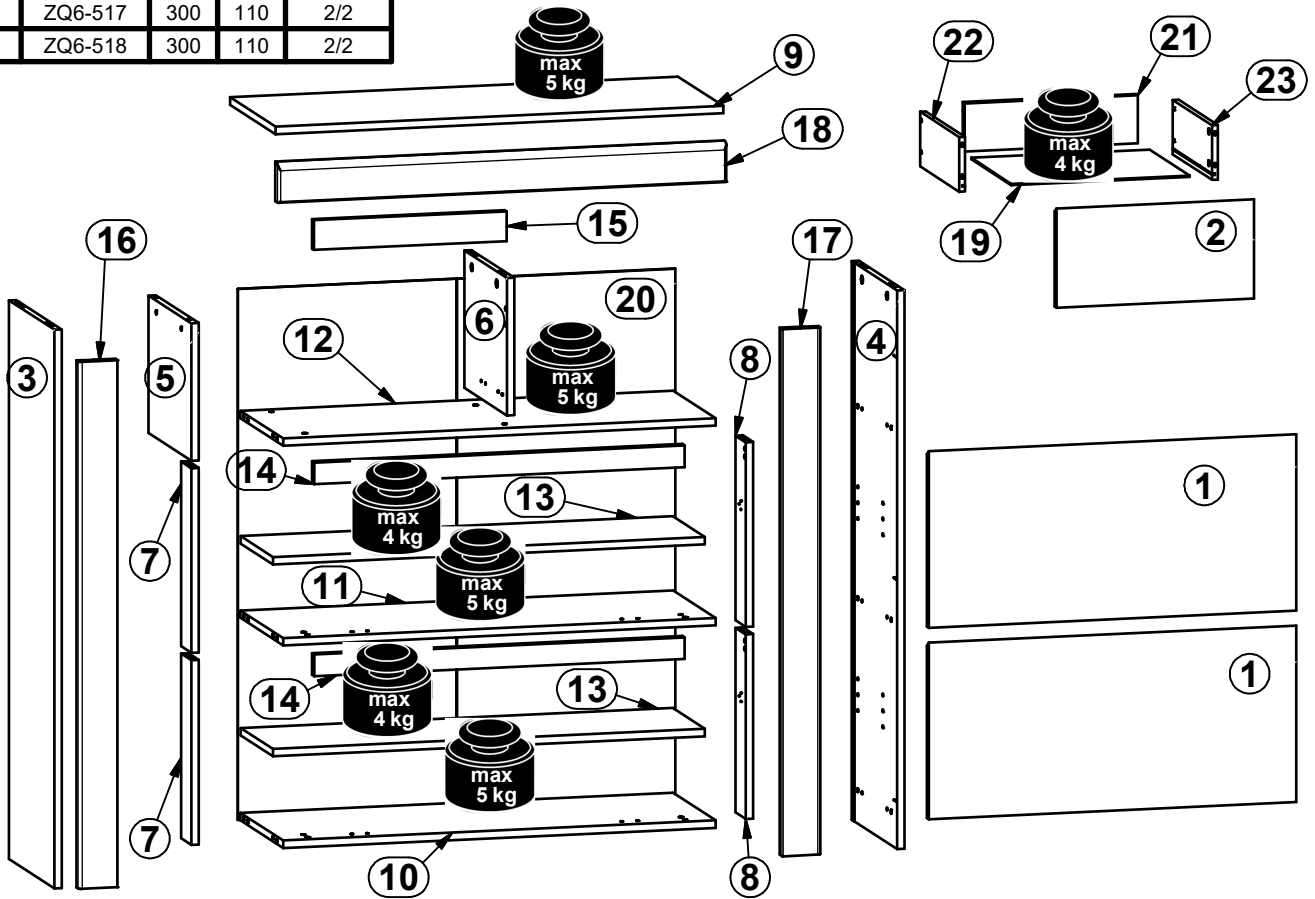
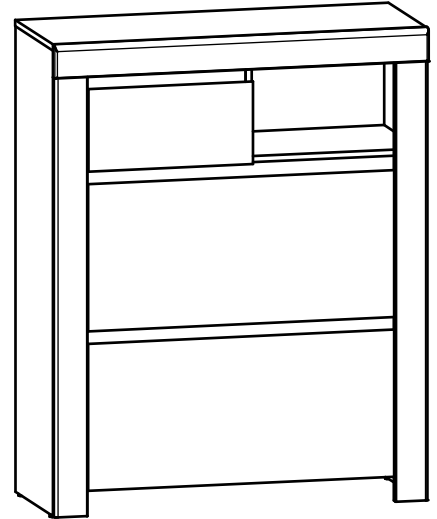
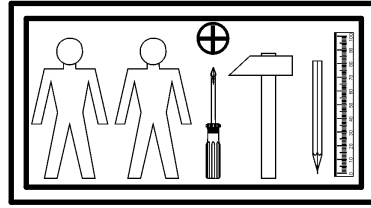
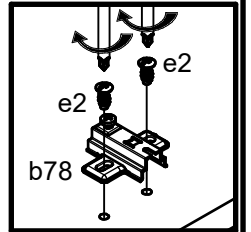
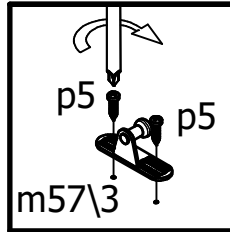
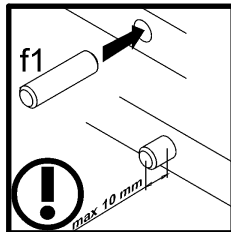
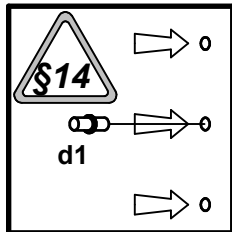
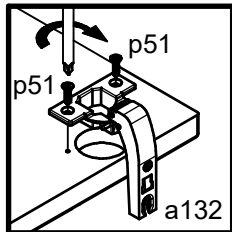
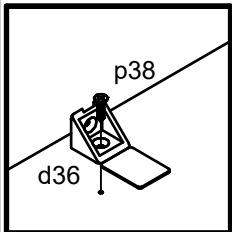
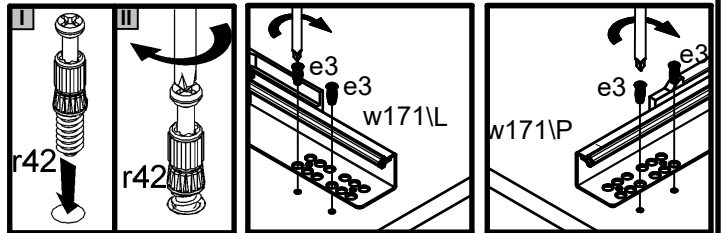
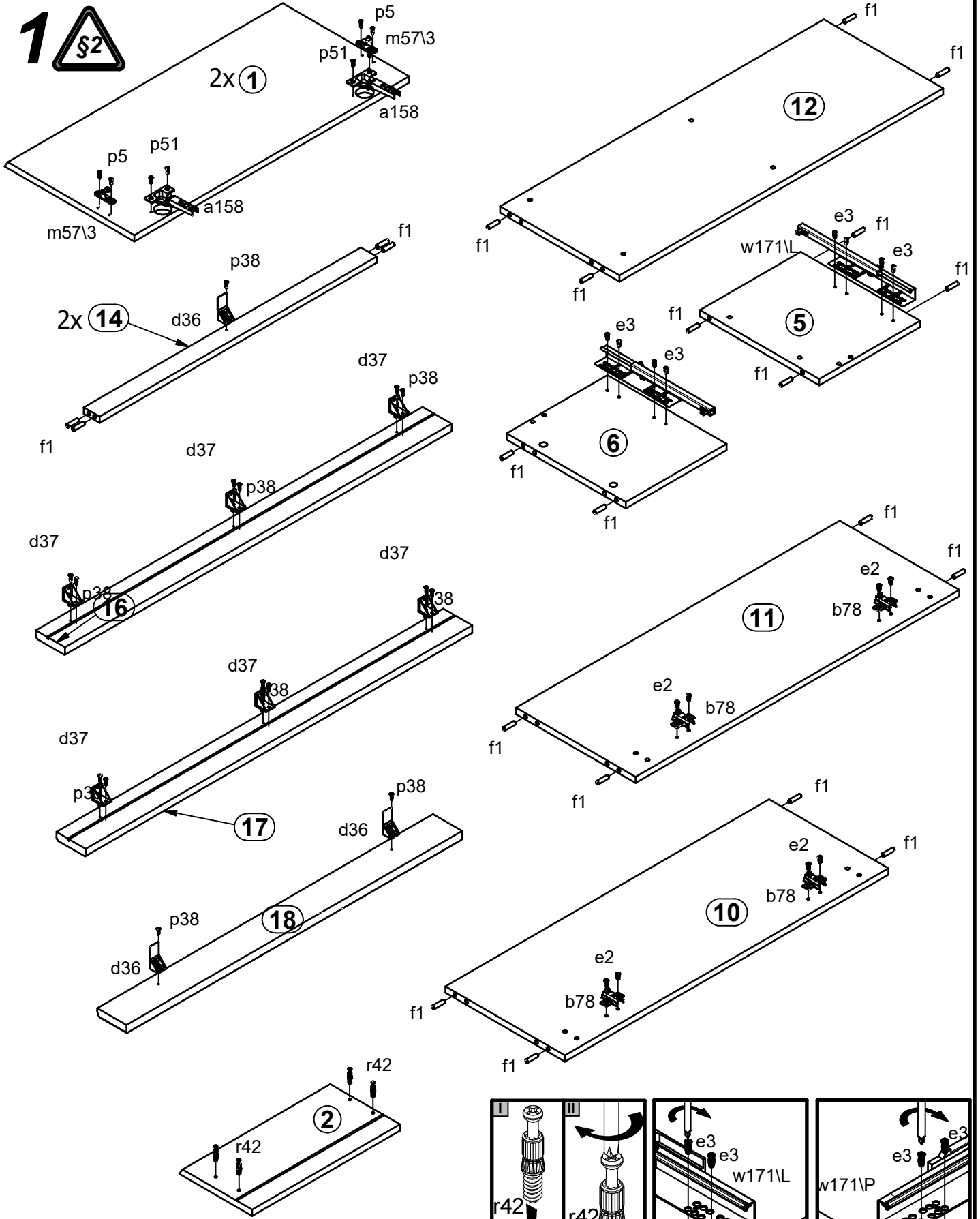


A	B	C	D	
1	S440-0011	755	356	2/2
2	S440-0012	406	200	2/2
3	S440-1019	1126	348	2/2
4	S440-1020	1126	348	2/2
5	S440-1021	328	277	2/2
6	S440-1022	327	277	2/2
7	S440-1023	372	80	1/2
8	S440-1024	372	80	1/2
9	S440-2005	920	348	1/2
10	S440-3010	889	328	1/2
11	S440-3011	889	328	1/2
12	S440-3012	889	328	1/2
13	S440-3013	888	247	1/2
14	S440-4018	761	44	2/2
15	S440-4019	396	60	2/2
16	S440-5021	1062	80	2/2
17	S440-5022	1062	80	2/2
18	S440-5026	922	80	2/2
19	S440-9009	367	307	2/2
20	S440-9303	1070	899	2/2
21	ZQ6-5080	356	97	2/2
22	ZQ6-517	300	110	2/2
23	ZQ6-518	300	110	2/2

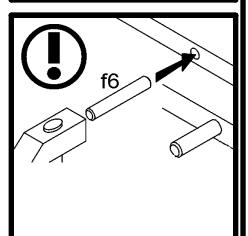
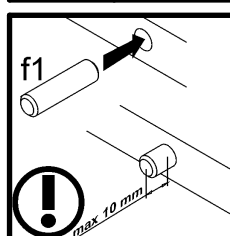
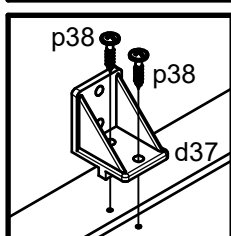
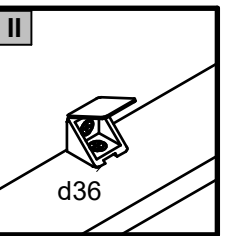
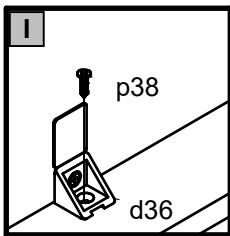
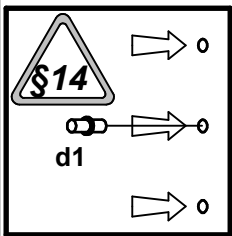
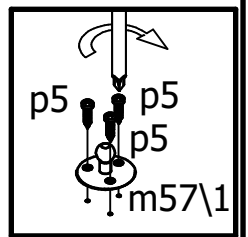
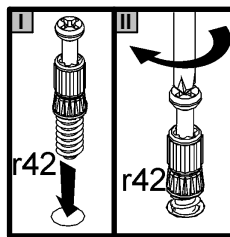
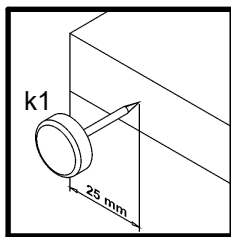
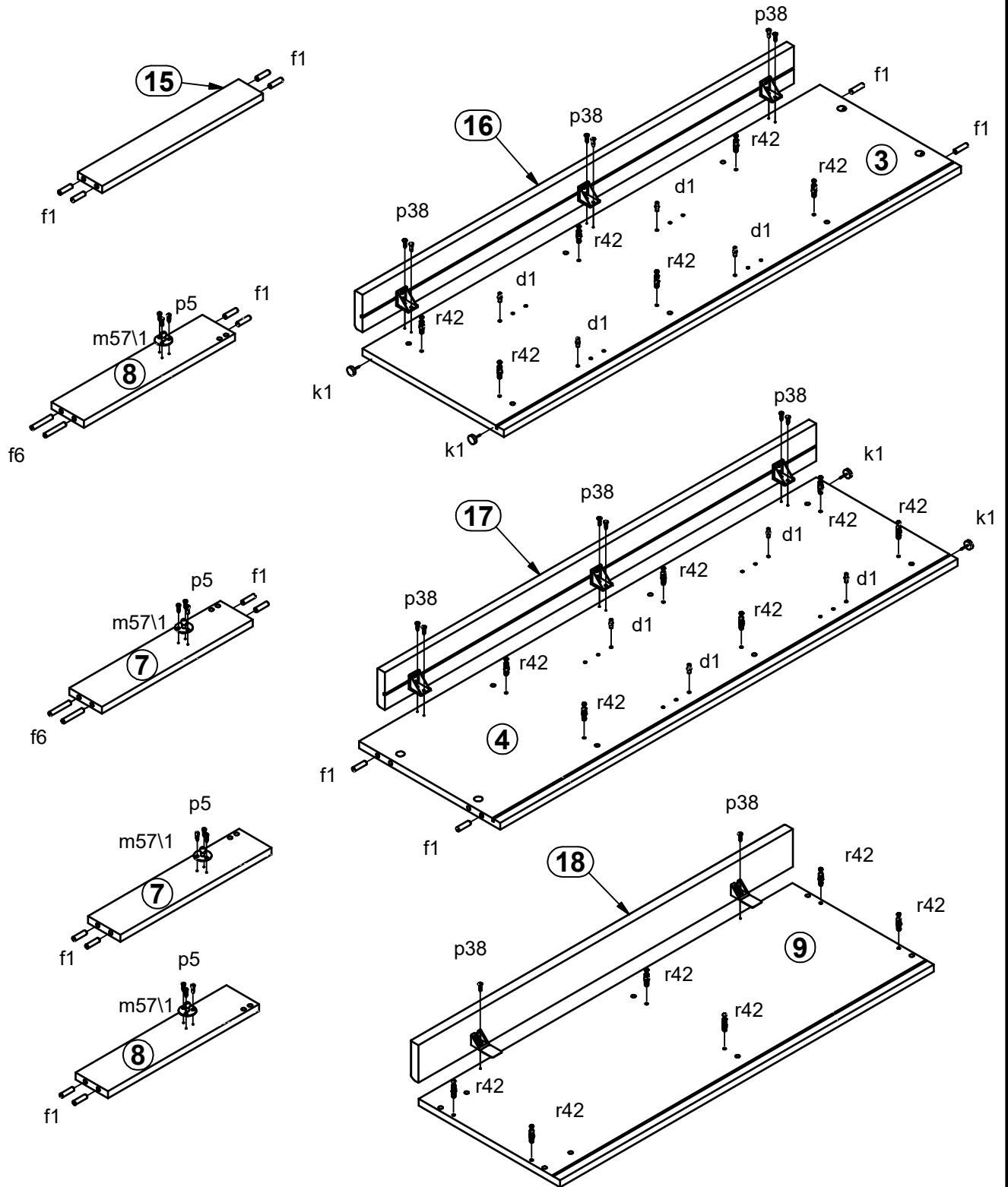


4x K.O. a158 Ø35 mm 90°	4x b78	8x d1 Ø5x17 mm	4x d36	6x d37	2x e1 Ø7x50 mm	8x e2 Ø6.3x13 mm	8x e3 Ø6x13 mm	42x f1 Ø8x30 mm
4x f6 Ø8x50 mm	4x f25 Ø6.5x40 mm	4x k1	30x l1 1.4x20 mm	8x l2	8x l64	4x m56/1 80N	4x m57/1	4x m57/3
36x p38 Ø3.5x16 mm	20x p5 Ø3.5x13 mm	8x p51 Ø3.5x15 mm	18x r1 Ø15x12 mm #16	4x r15 Ø12x10.5 mm #12	22x r42 20/11	1x w171/L L=300 mm	1x w171/P L=300 mm	2x s2 Ø16
1x z1 4 mm	1x n26/1							

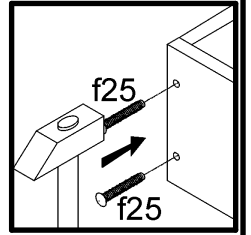
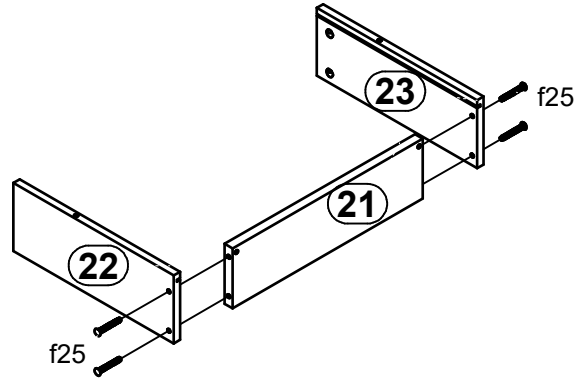
1 



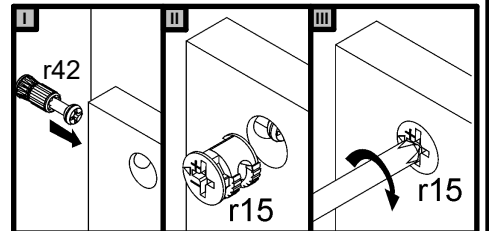
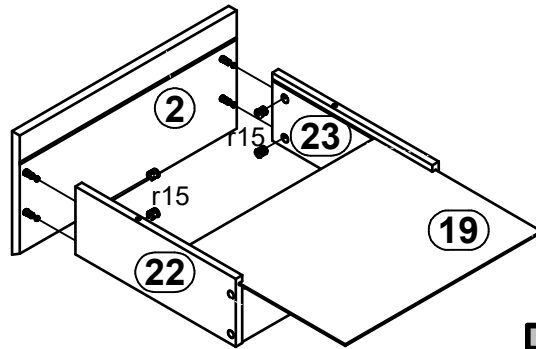
2



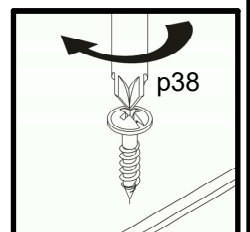
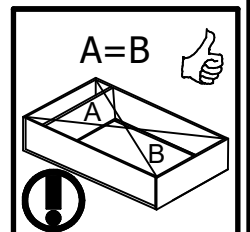
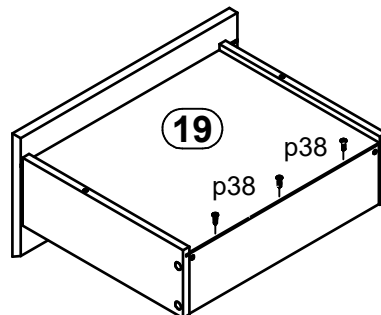
3



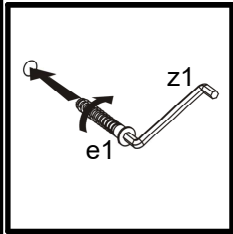
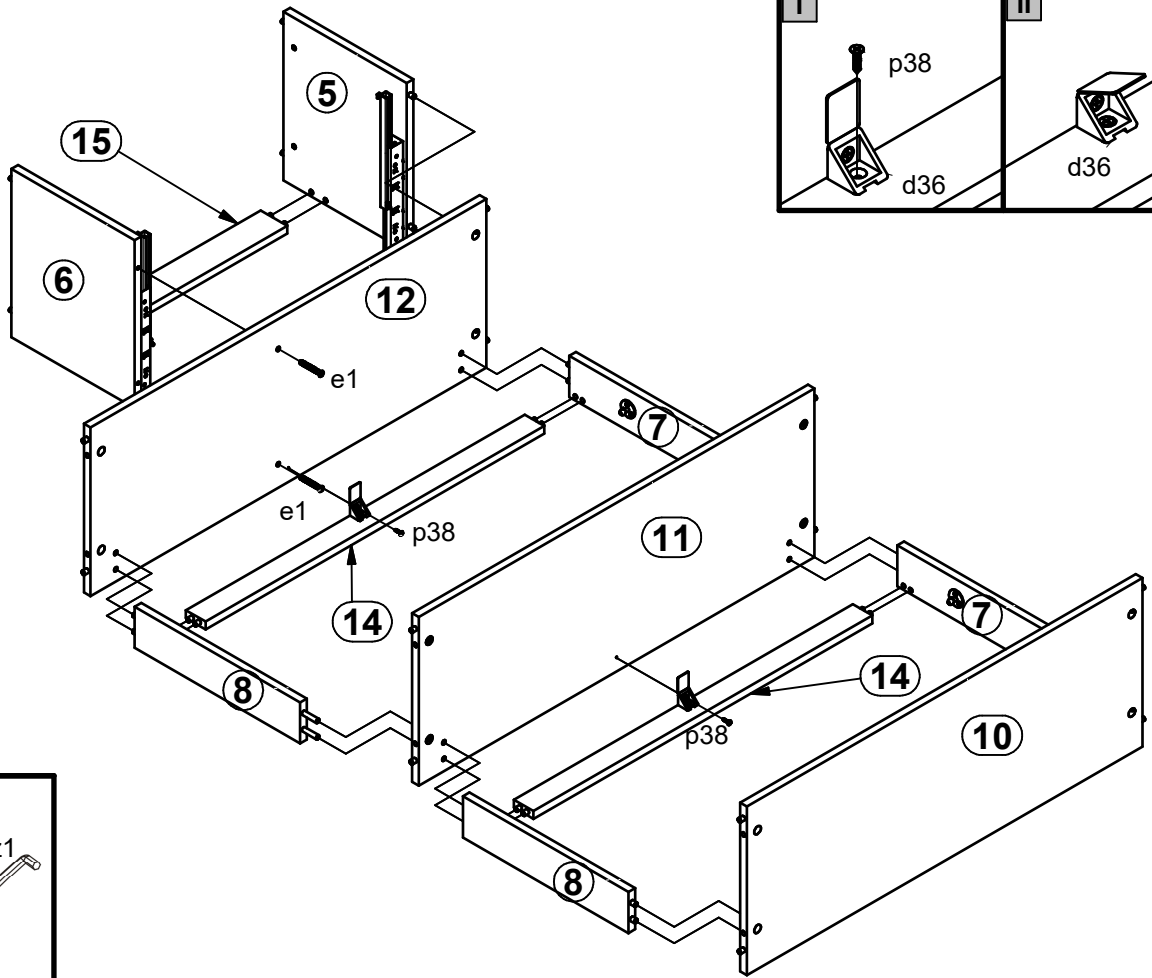
4



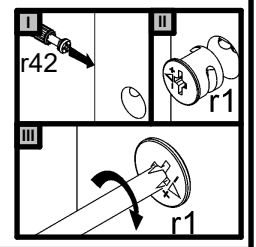
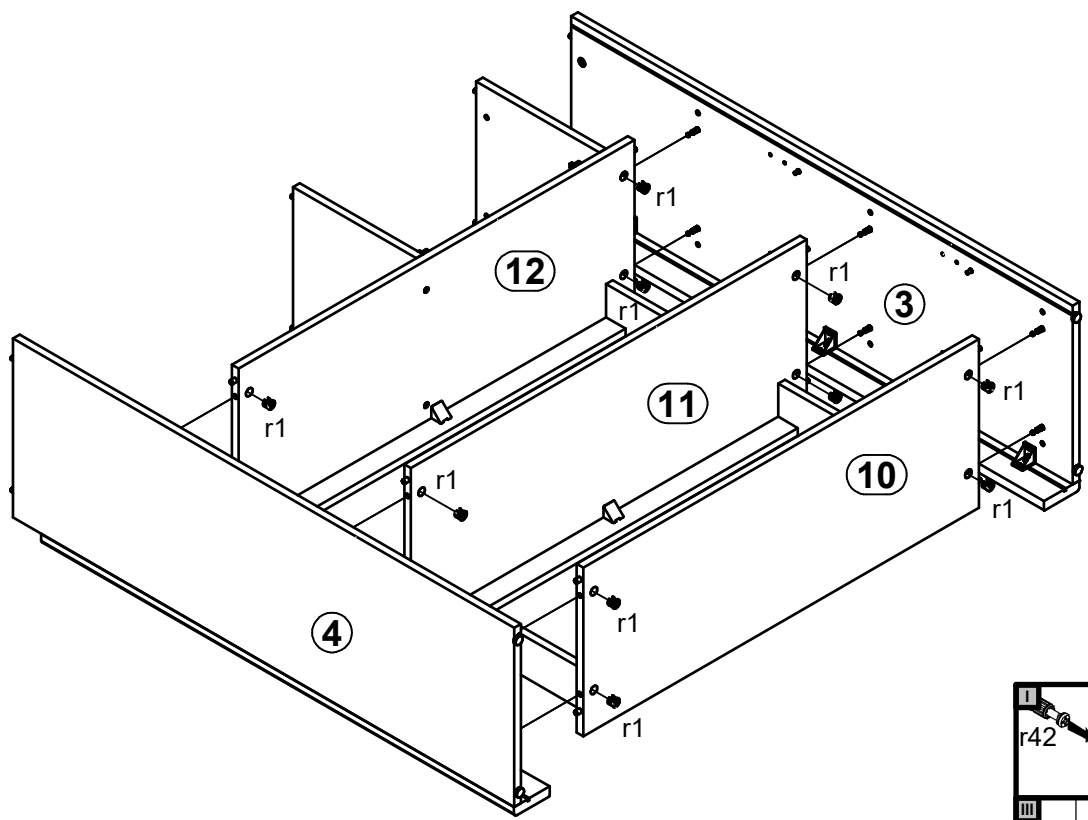
5



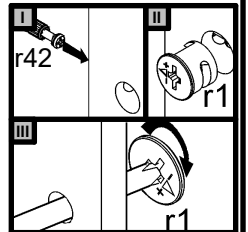
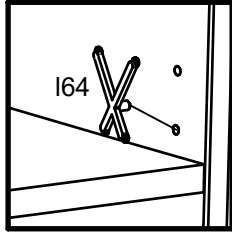
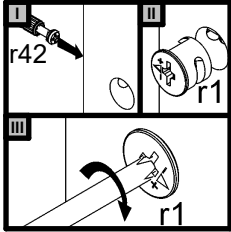
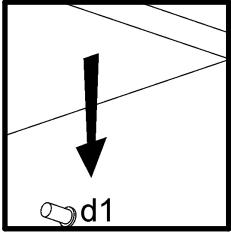
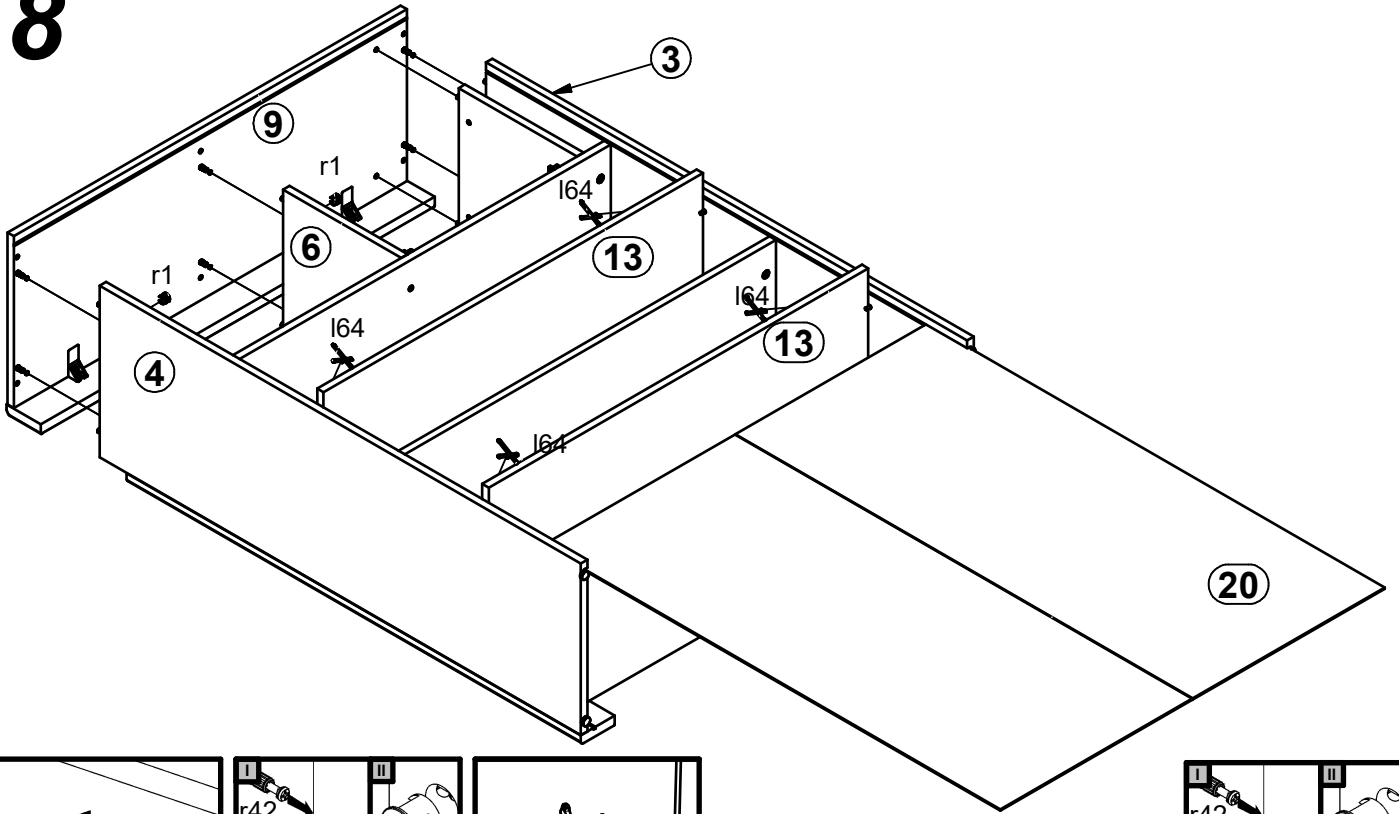
6



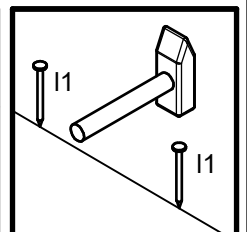
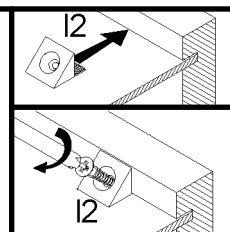
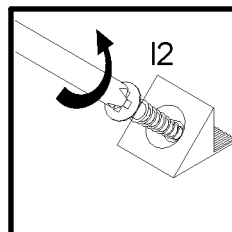
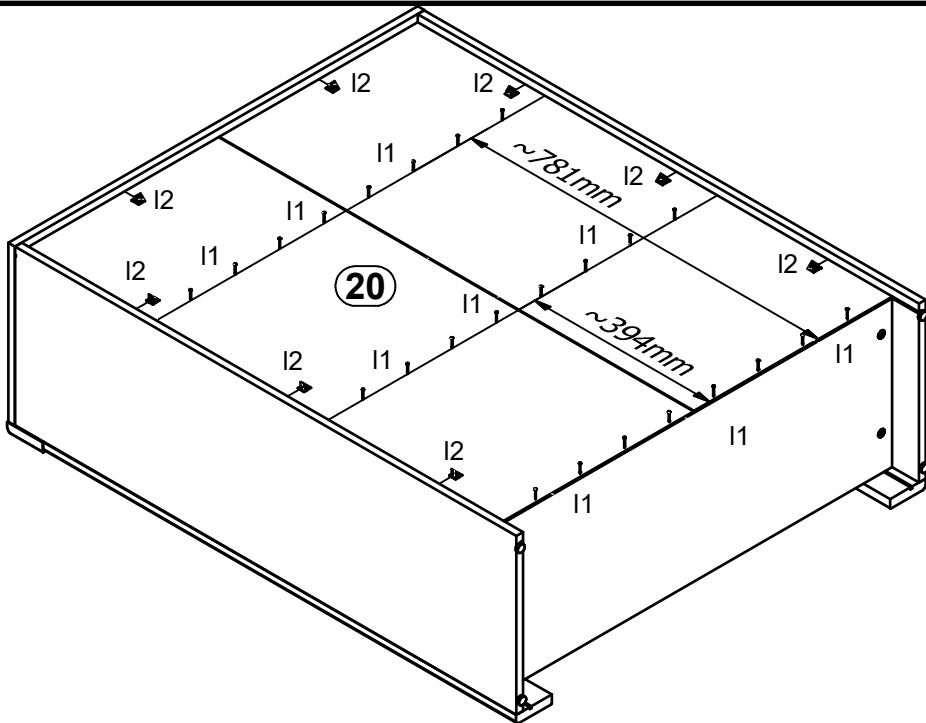
7



8



9



10

