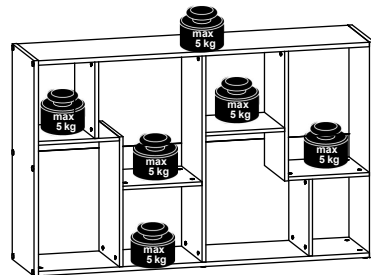
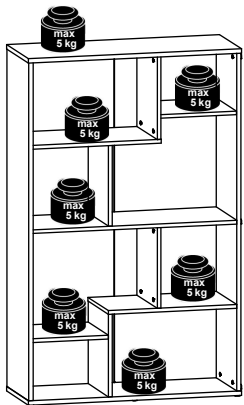
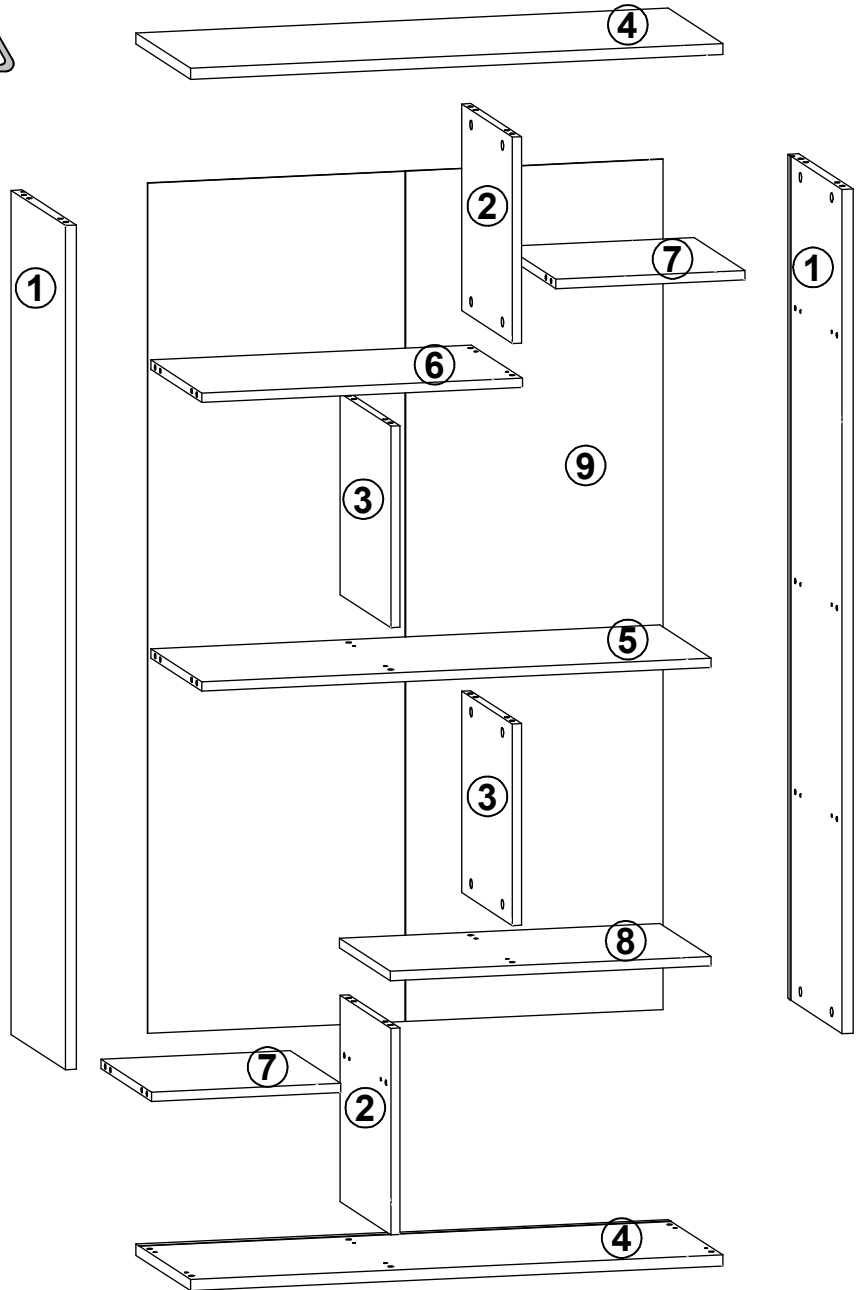
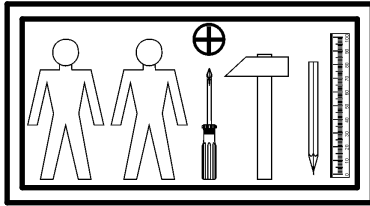





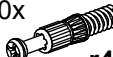



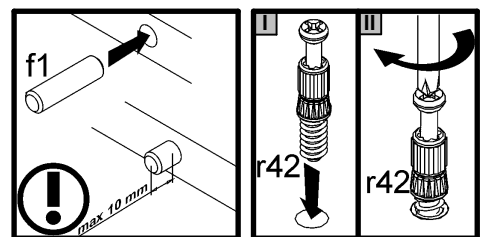
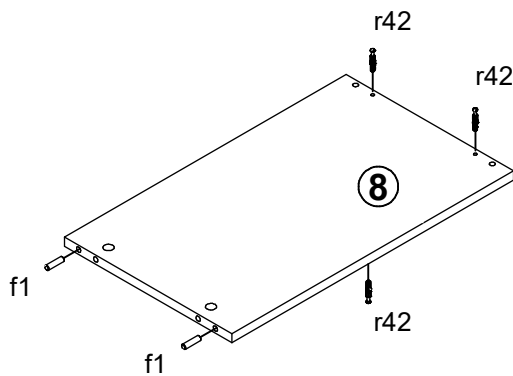
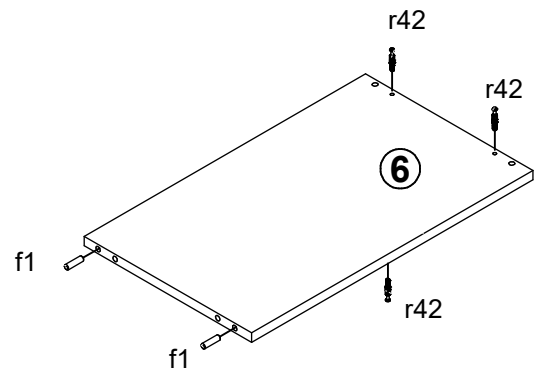
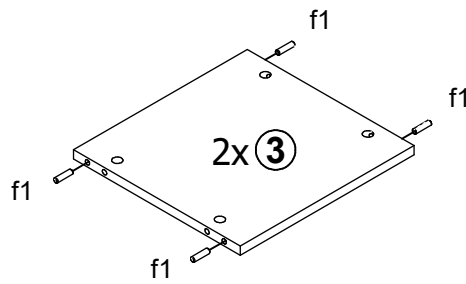
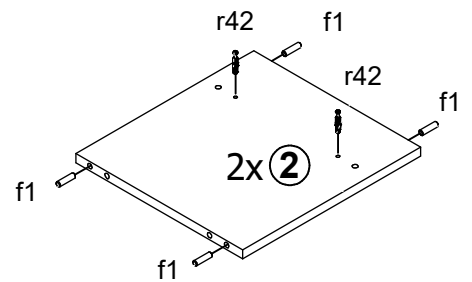
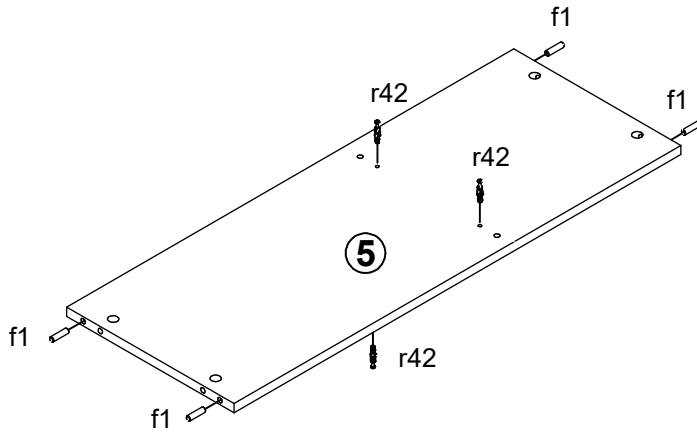
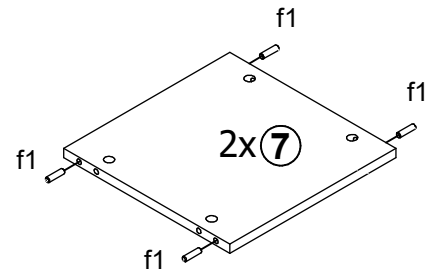
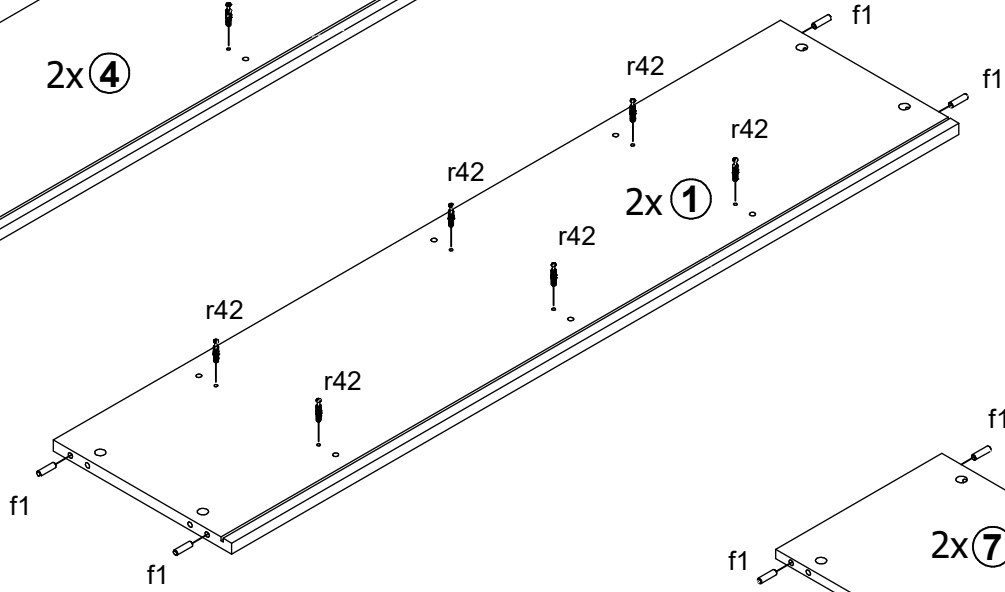
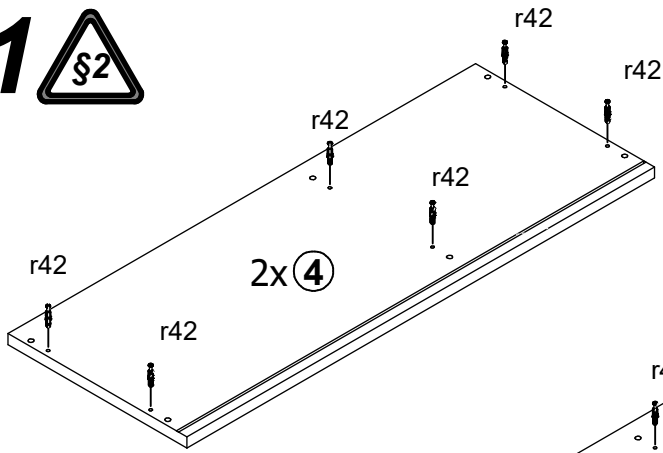


A	B	C	D
1	S442-1005	1361	334 1/2
2	S442-1006	333	312 1/2
3	S442-1007	325	312 1/2
4	S442-2001	875	335 2/2
5	S442-3001	837	313 2/2
6	S442-3002	527	313 2/2
7	S442-3003	311	311 2/2
8	S442-3004	527	313 2/2
9	S442-9301	1371	847 1/2

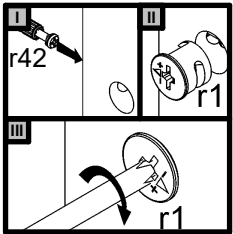
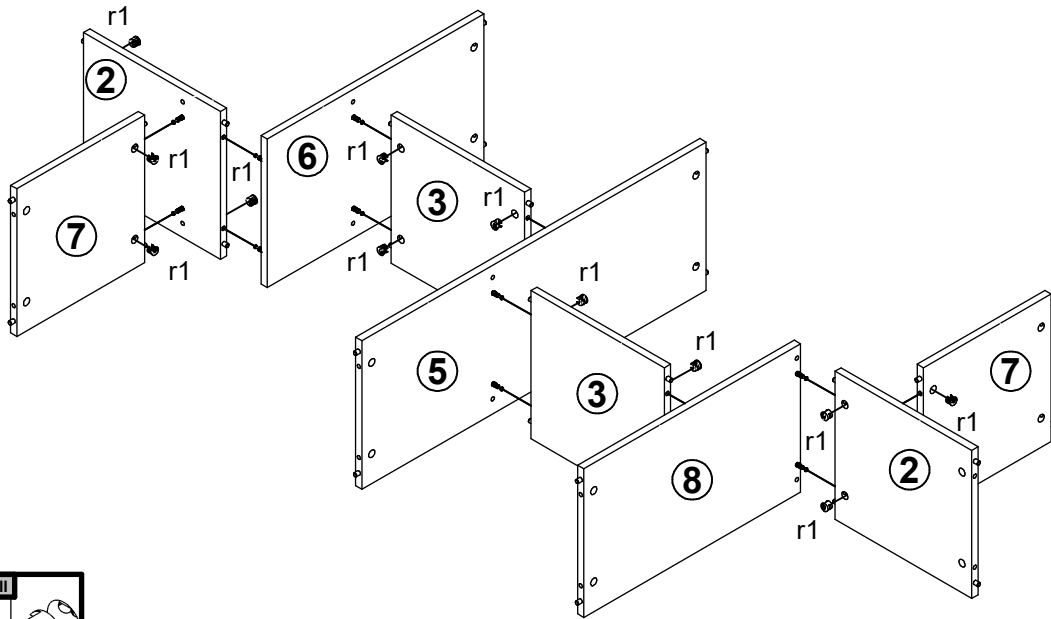


- 
 40x
 Ø8x30 mm
f1
- 
 6x
 Ø20x3mm
k103
- 
 12x
l2
- 
 4x
 Ø2.9x16 mm
p55
- 
 40x
 Ø15x12 mm #16
r1
- 
 40x
 20/11
r42
- 
 40x
 Ø 20mm
s68
- 
 1x
n26/1
- 
 1x
 Ø3.5x16 mm
p38

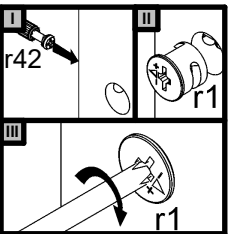
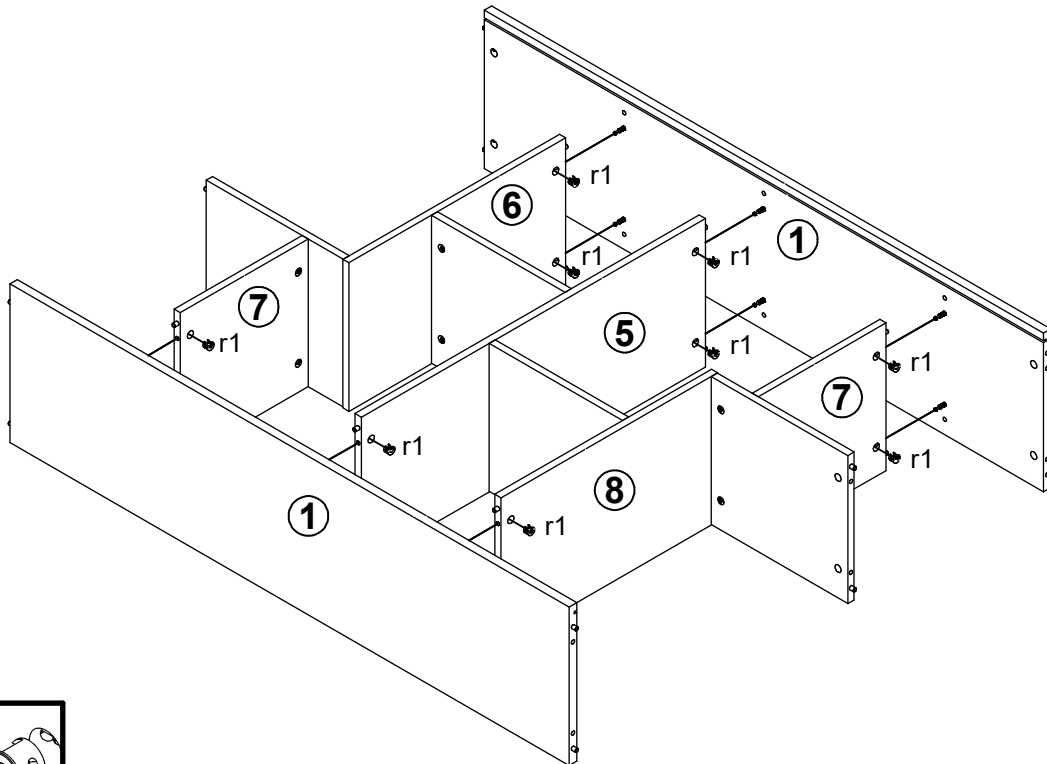
1 



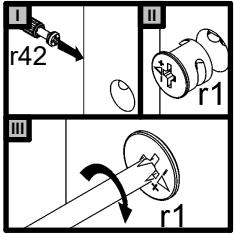
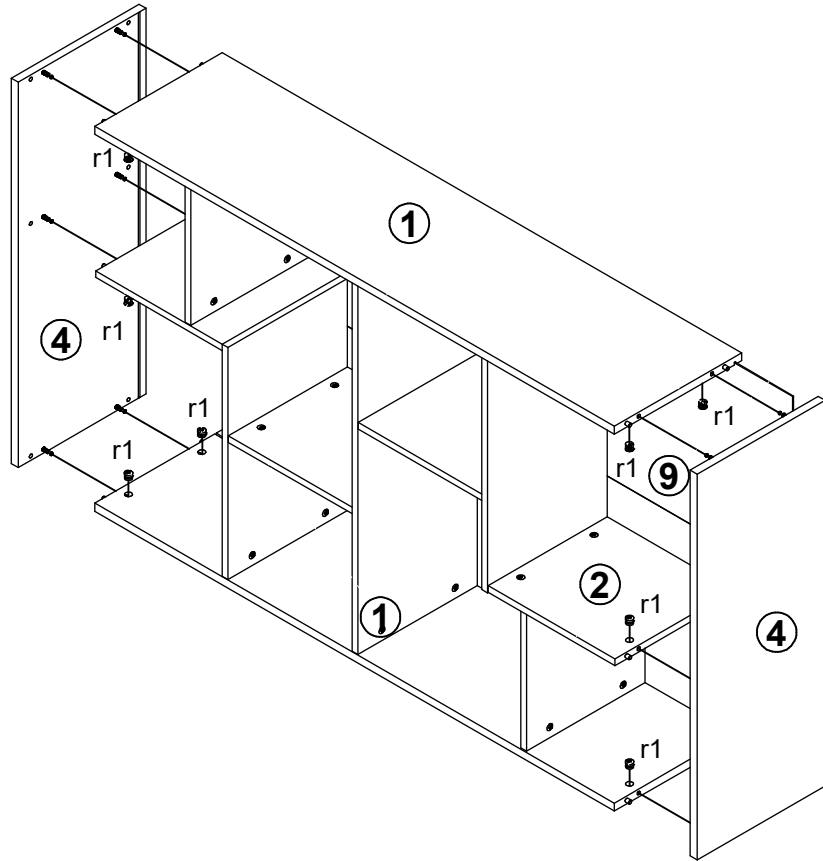
2



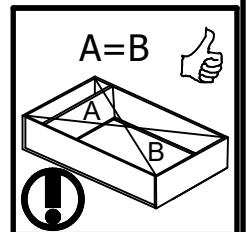
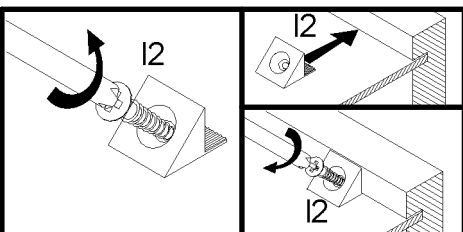
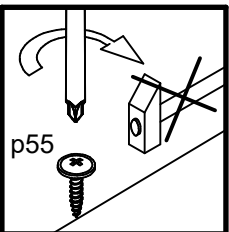
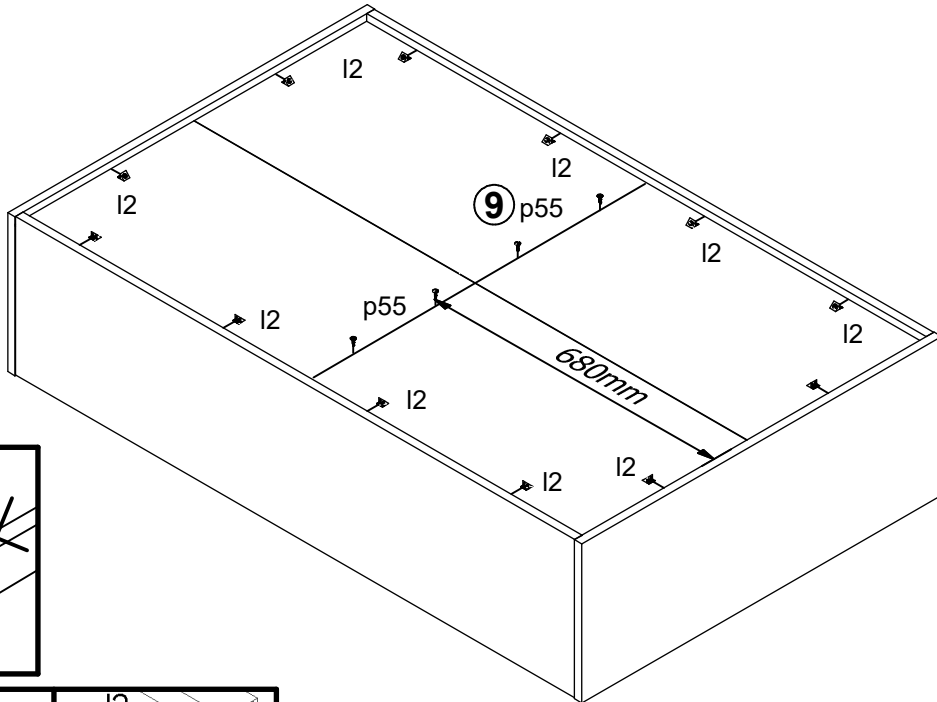
3



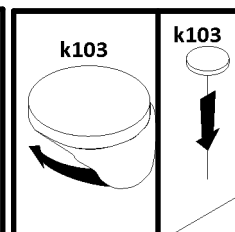
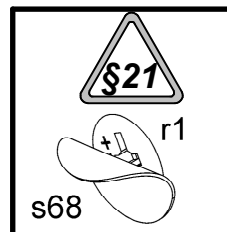
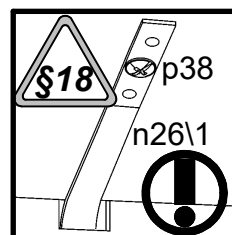
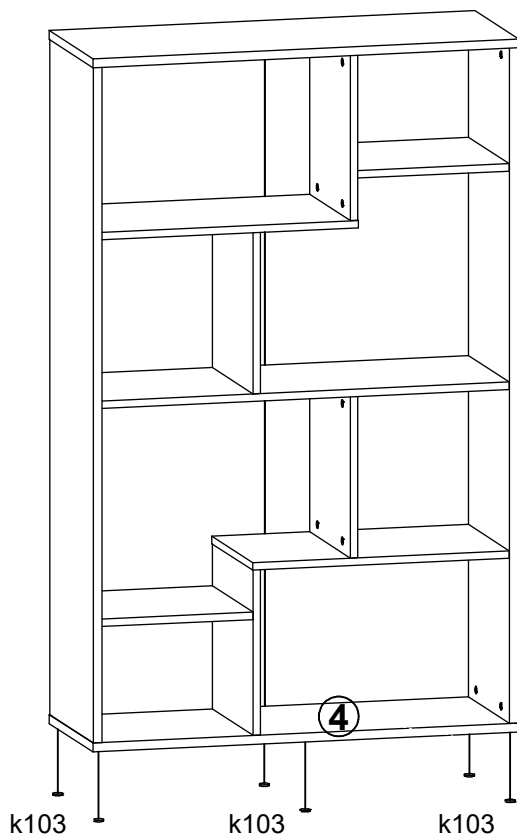
4



5



6A



6B

