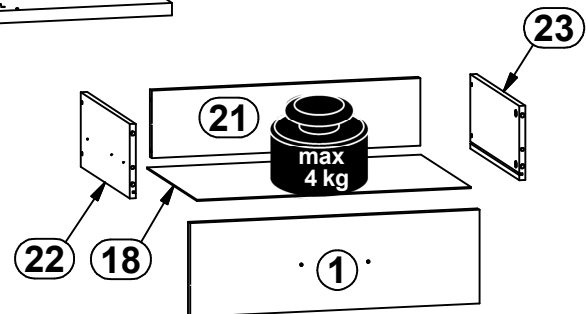
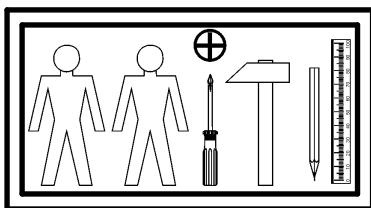
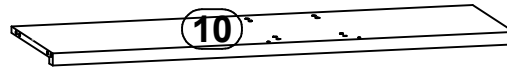
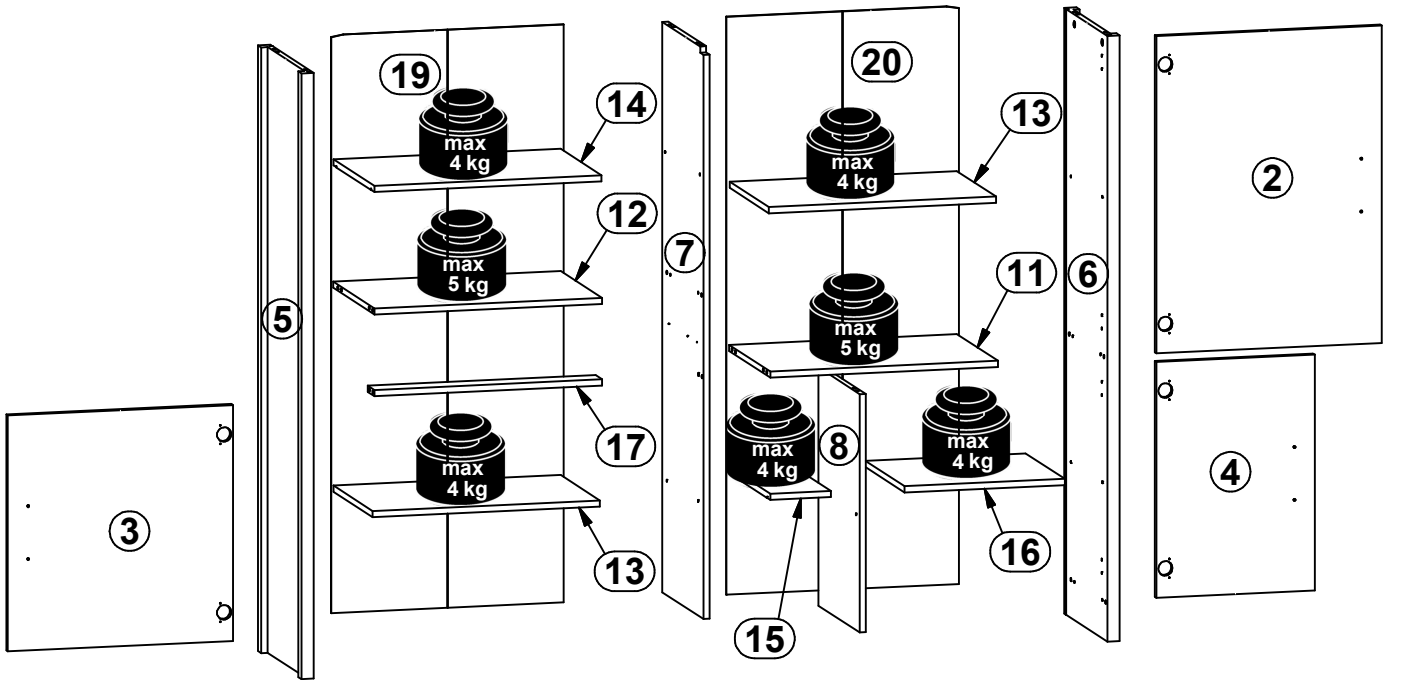
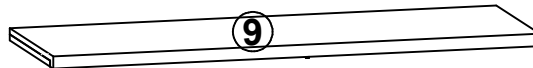
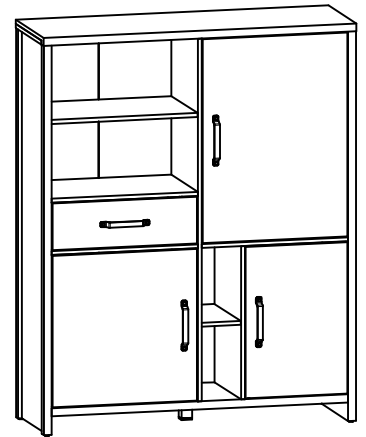
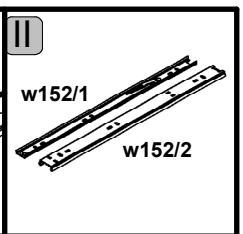
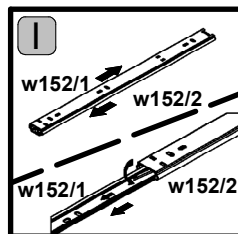
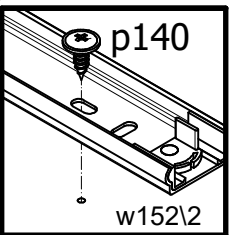
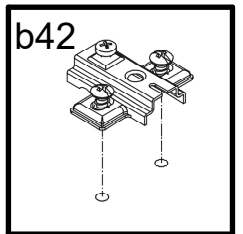
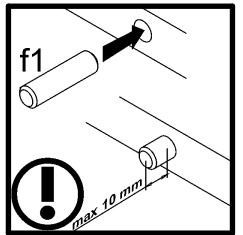
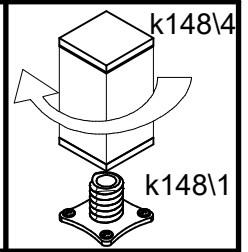
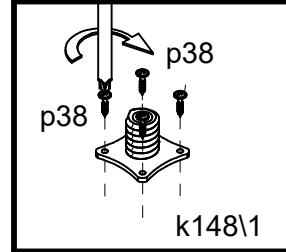
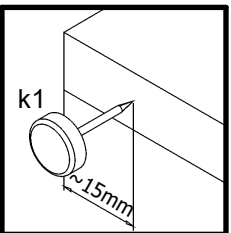
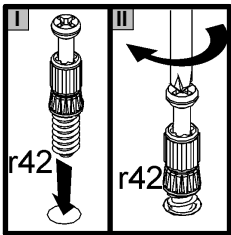
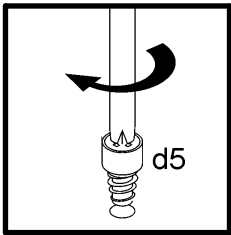
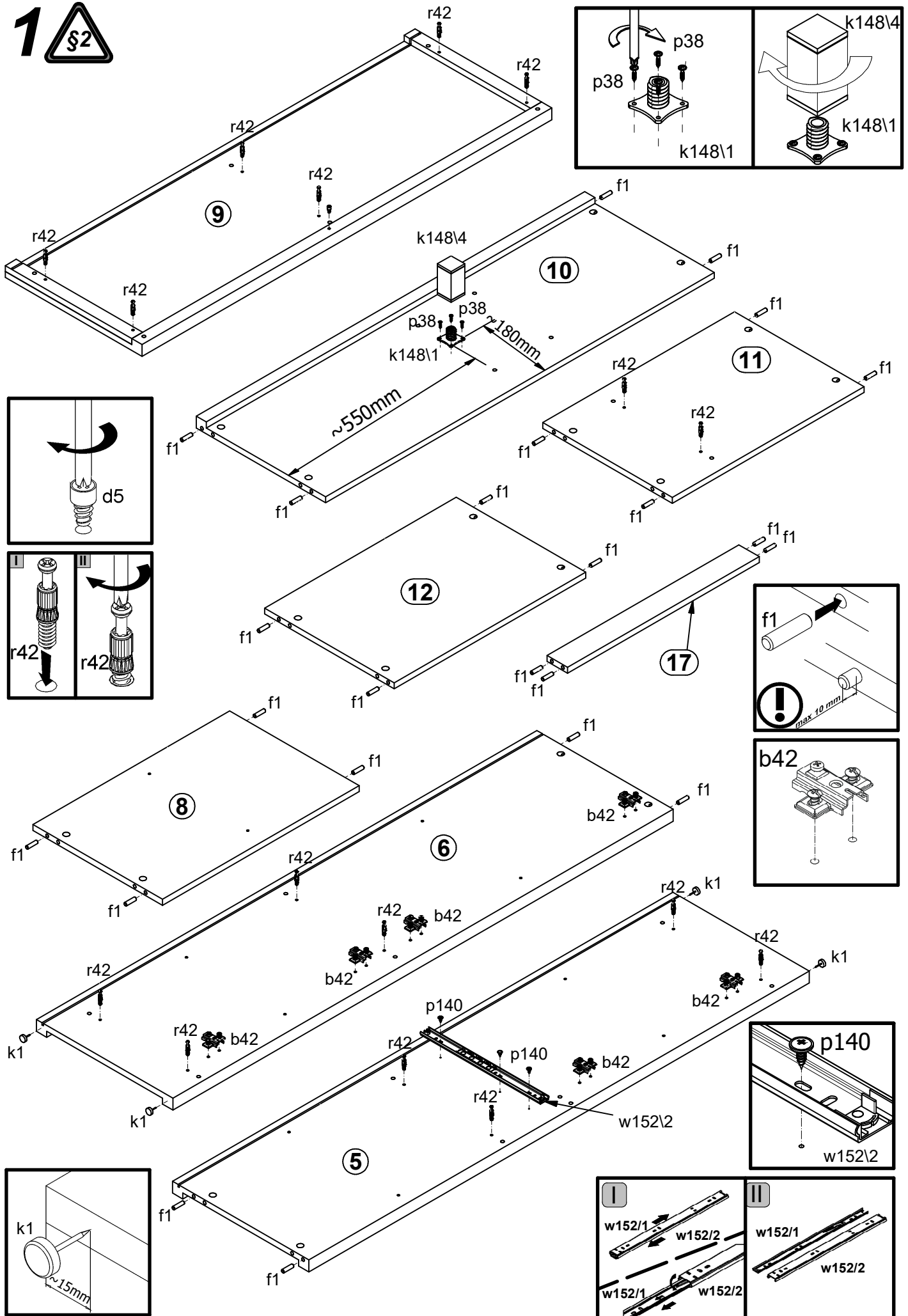


A	B	C	D	A	B	C	D		
1	S483-0010	555	176	3/3	13	S483-3014	560	360	2/3
2	S483-0011	767	555	3/3	14	S483-3015	560	377	2/3
3	S483-0012	570	555	3/3	15	S483-3016	149	377	2/3
4	S483-0013	570	390	3/3	16	S483-3017	395	360	2/3
5	S483-1020	1464	399	1/3	17	S483-4010	561	60	2/3
6	S483-1021	1464	399	1/3	18	S483-9006	525	357	2/3
7	S483-1022	1379	379	2/3	19	S483-9304	1397	573	1/3
8	S483-1023	576	379	2/3	20	S483-9305	1397	573	1/3
9	S483-2007	1199	400	1/3	21	ZK3-5151	515	127	2/3
10	S483-3011	1137	379	1/3	22	ZK3-511	350	140	2/3
11	S483-3012	561	379	2/3	23	ZK3-512	350	140	2/3
12	S483-3013	561	379	2/3					

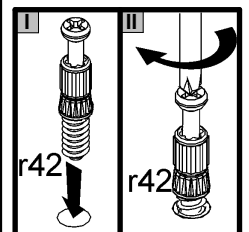
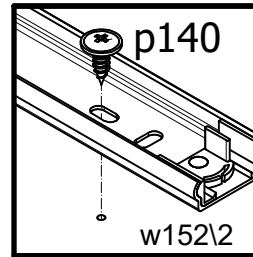
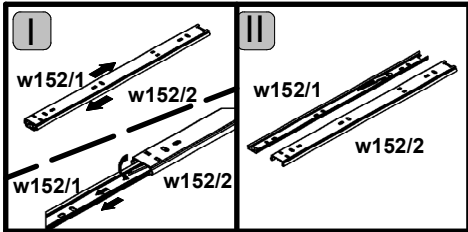
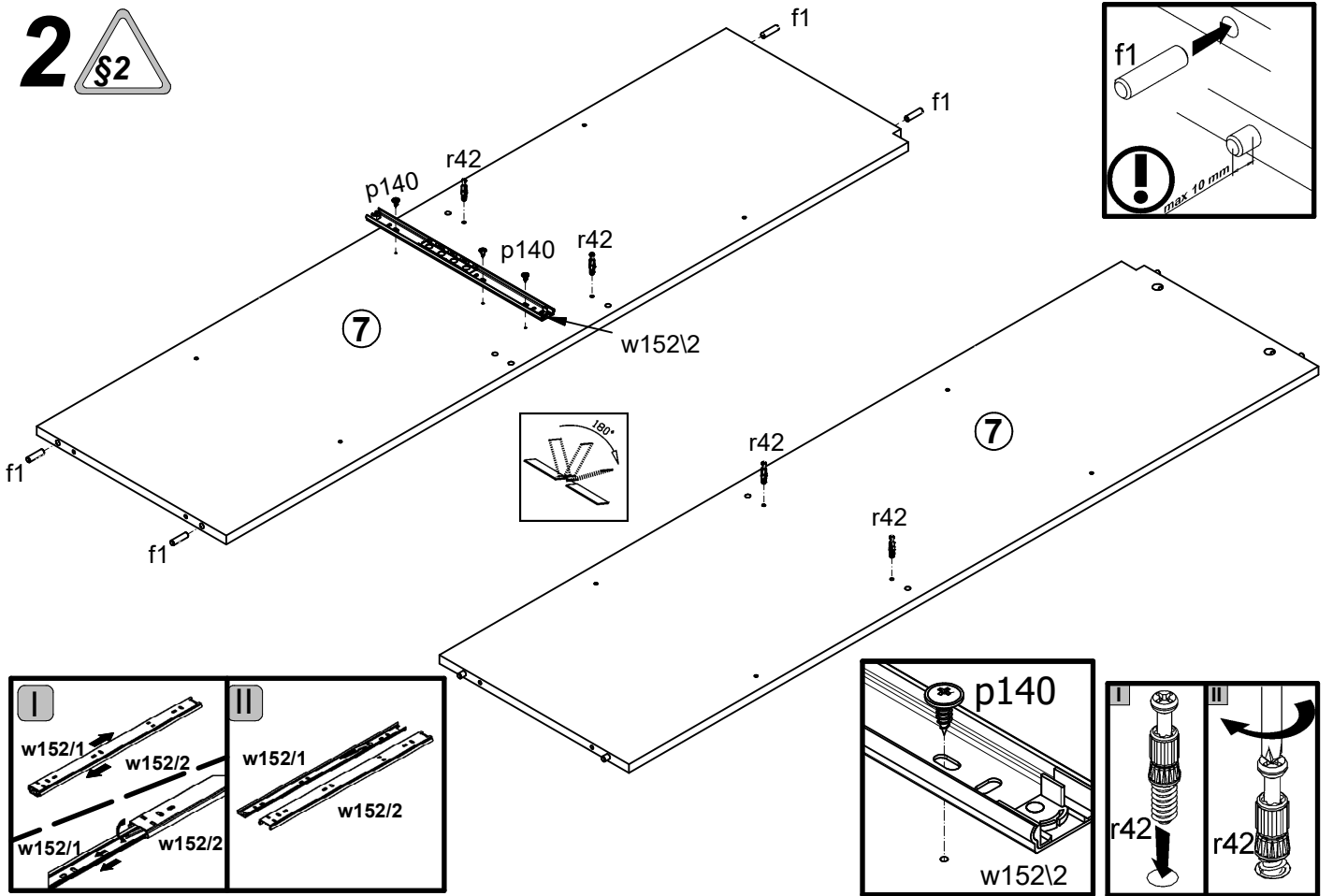


6x K18 Ø35 <b>a172</b>	6x <b>b42</b>	4x 128 mm <b>c5111</b>	20x Ø5x17 mm <b>d1</b>	3x Ø6,3x15 mm <b>d5</b>	4x Ø7x50 mm <b>e1</b>	28x Ø8x30 mm <b>f1</b>	2x Ø6x30 mm <b>f9</b>	4x Ø6,5x40 mm <b>f25</b>
4x <b>k1</b>	1x Ø6x21 <b>k1481</b>	1x Ø6x17 <b>k1484</b>	8x <b>l2</b>	7x 22x9,5x210,7 mm <b>n108</b>	1x Ø3,5x16 mm <b>p25</b>	1x Ø3,5x10 mm <b>p35</b>	10x Ø3,5x16 mm <b>p38</b>	12x Ø3,5x15 mm <b>p51</b>
18x Ø2,9x16 mm <b>p55</b>	8x Ø4x22 mm <b>p60</b>	12x Ø3,5x12 mm <b>p140</b>	20x Ø15x12 mm #16 <b>r1</b>	4x Ø12x10,5 mm #12 <b>r15</b>	24x 20/11 <b>r42</b>	2x 350/580 mm <b>w152/1</b>	2x 350/580 mm <b>w152/2</b>	1x 350 mm <b>t35</b>
8x Ø20mm <b>s68</b>	1x 4 mm <b>z1</b>					1x <b>n26</b>		1x Ø3,5x16 mm <b>p38</b>

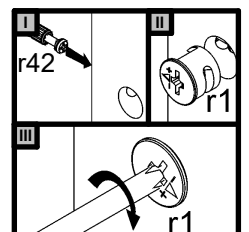
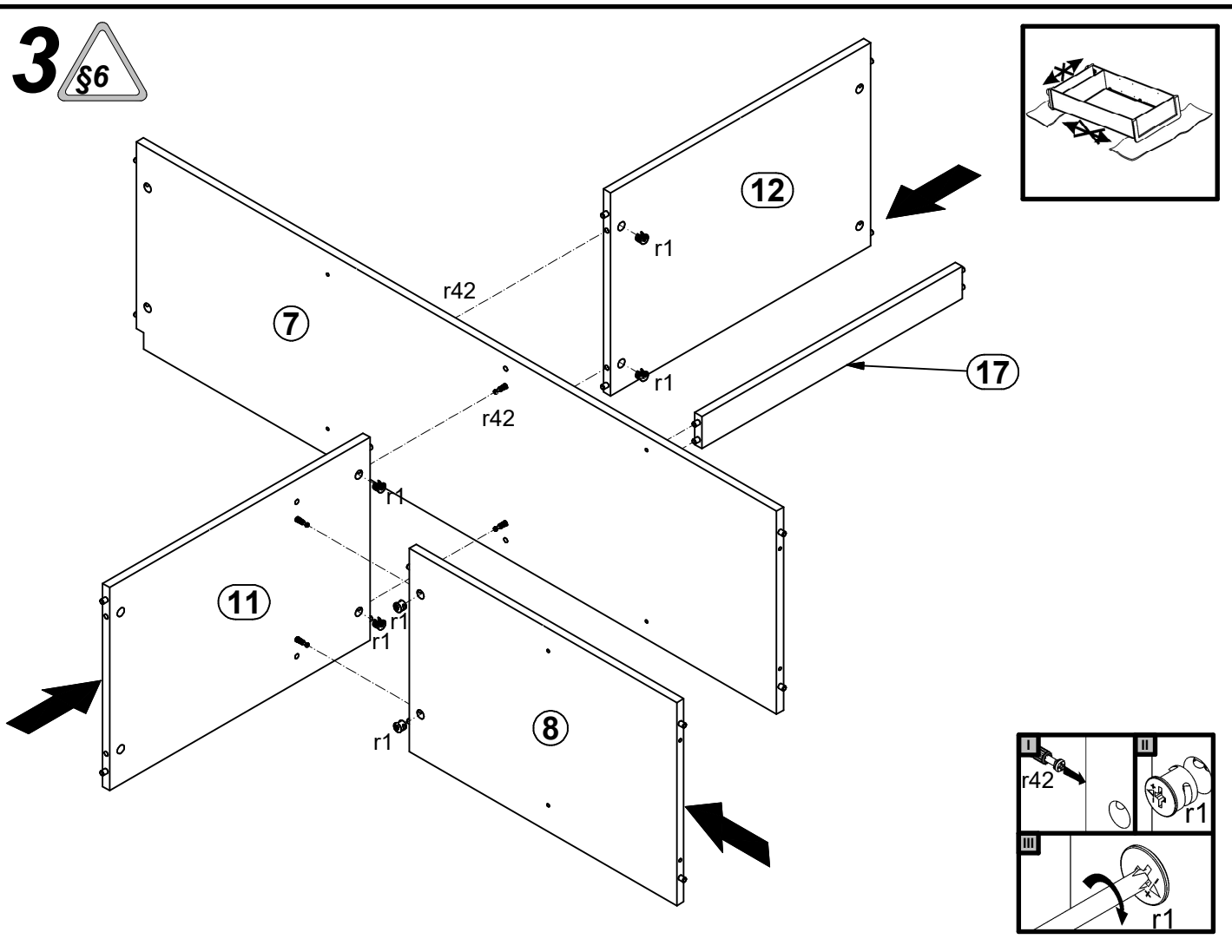
1 



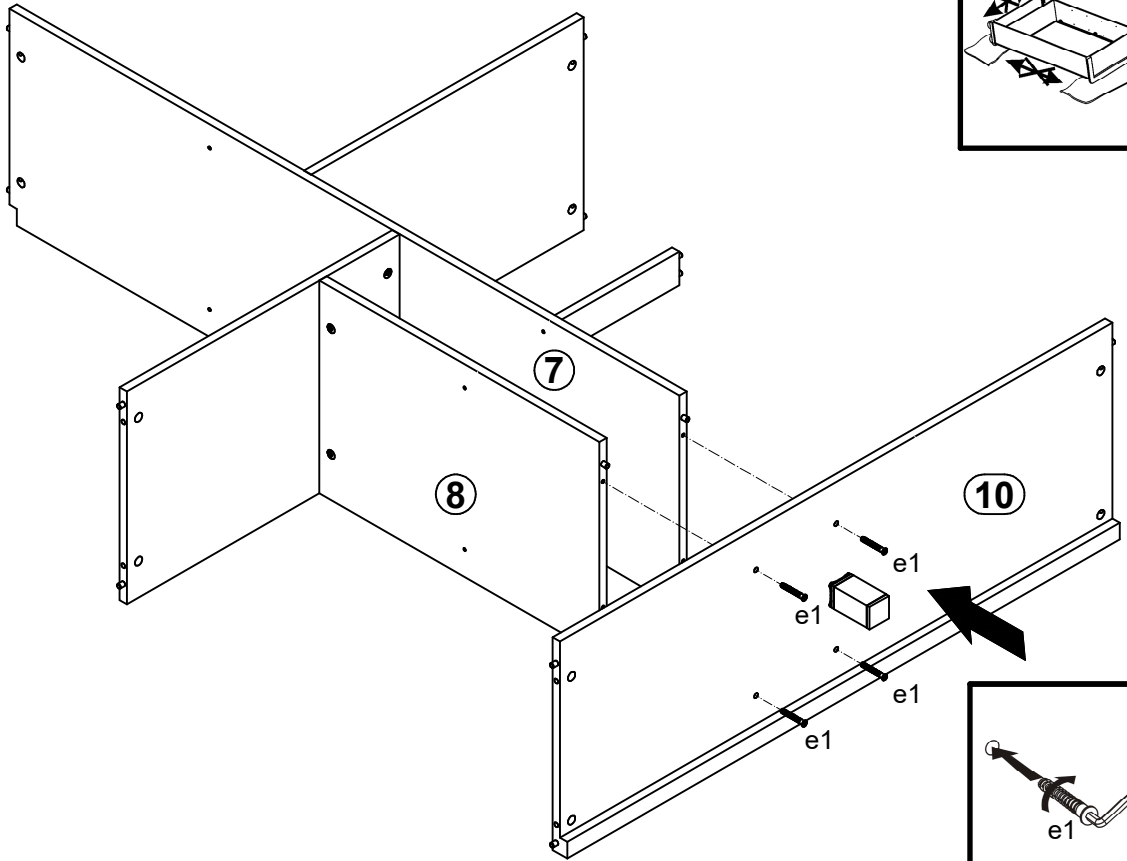
# 2



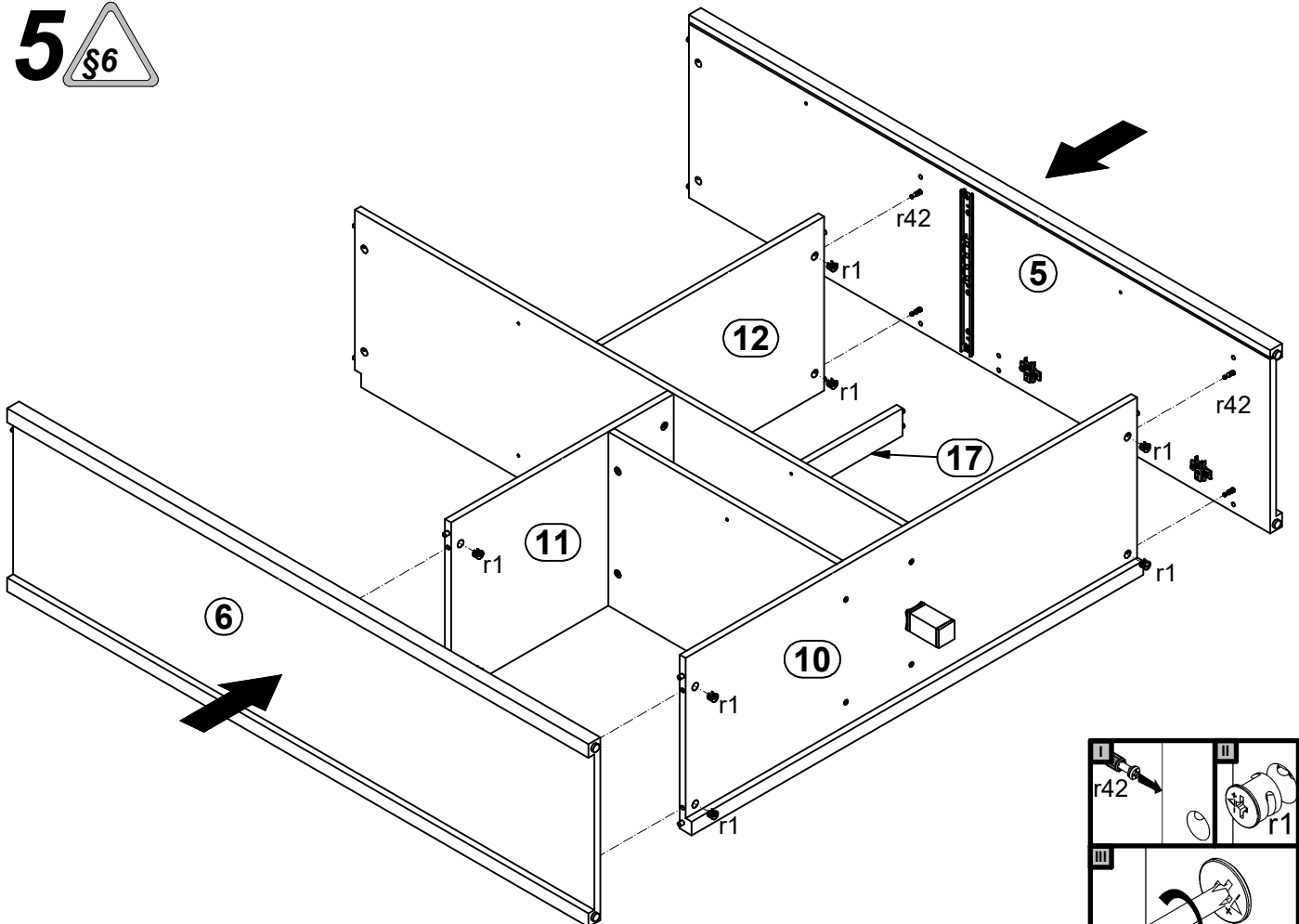
# 3

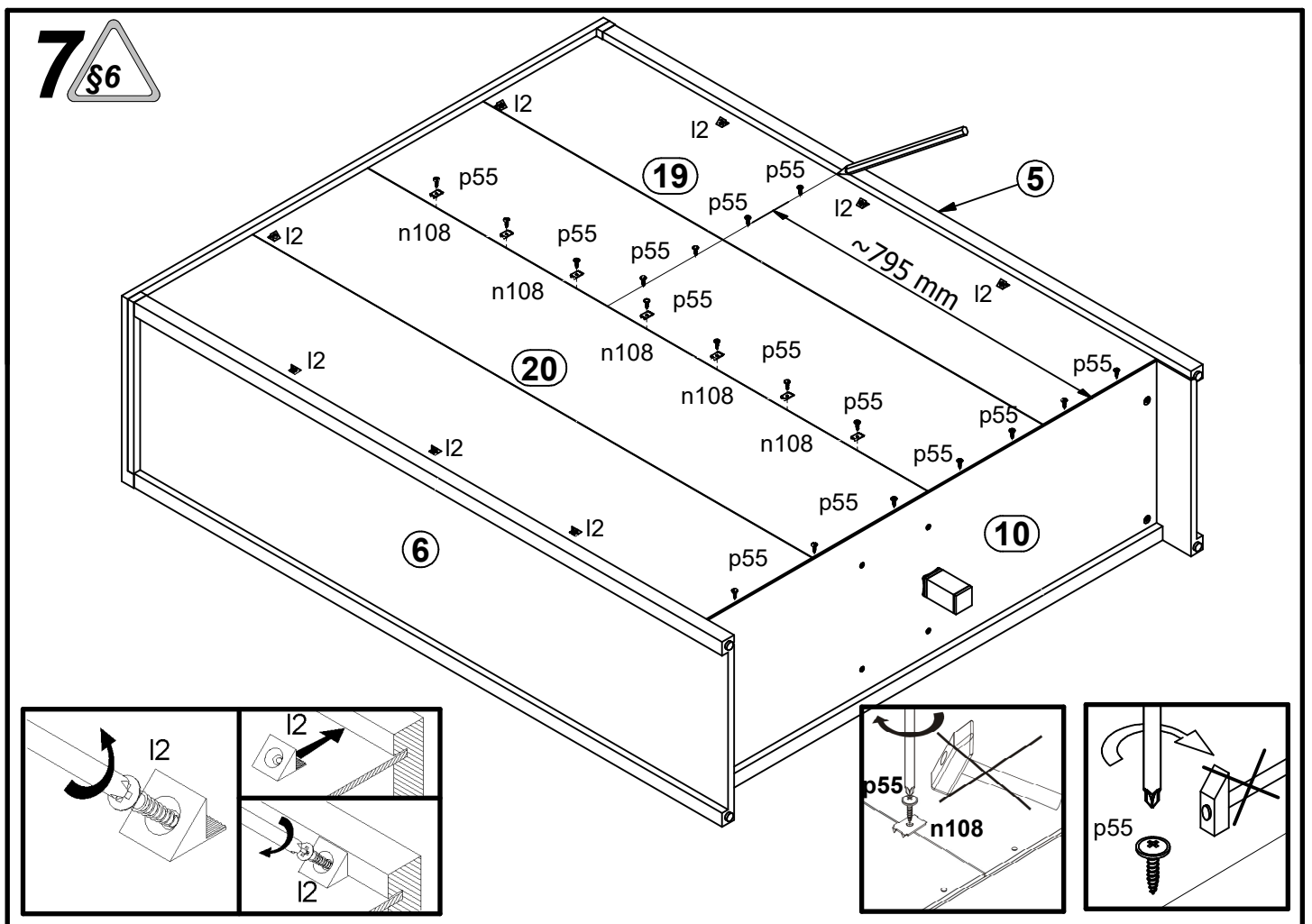
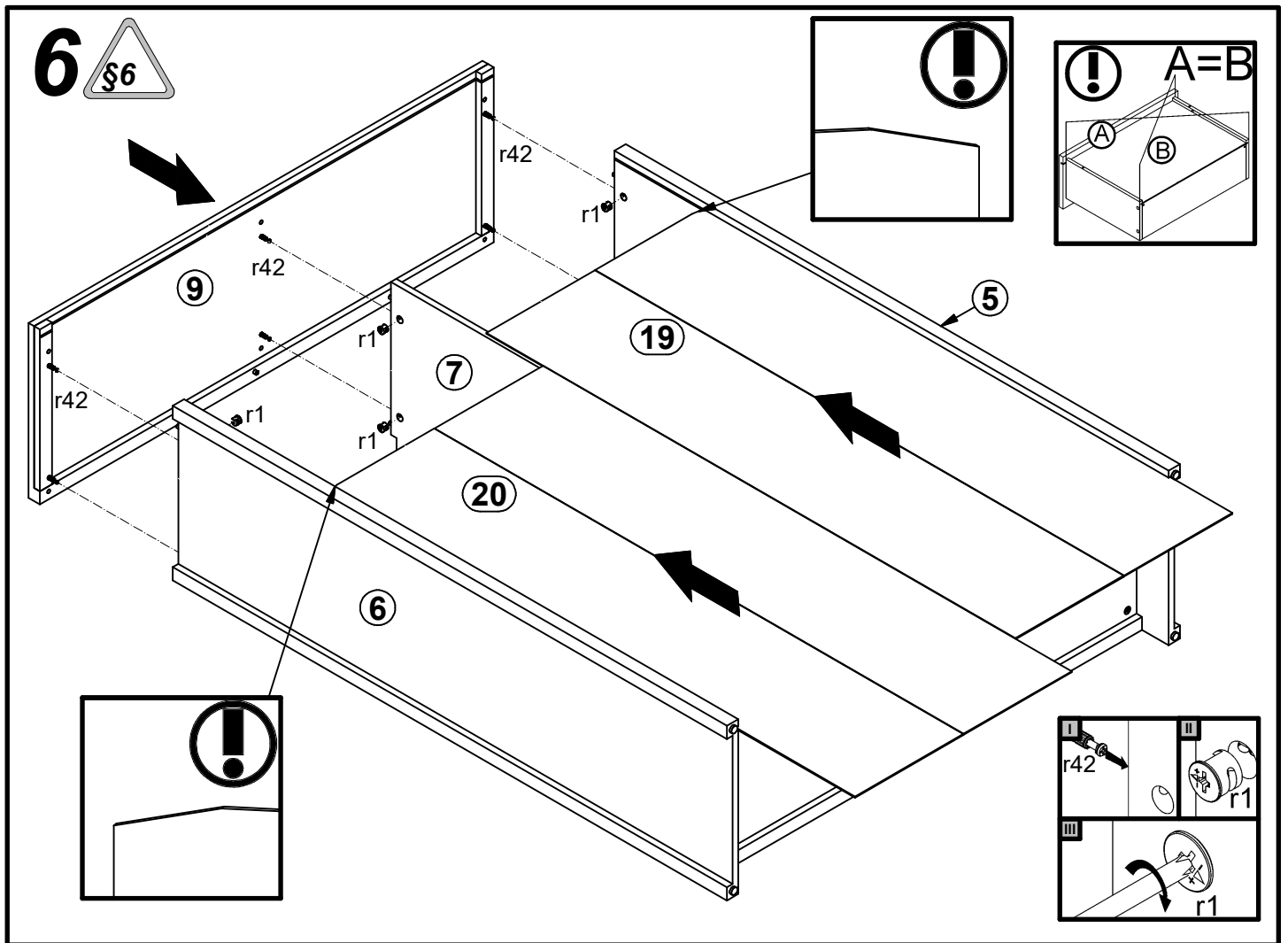


4 §6

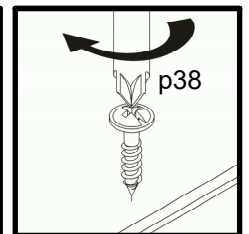
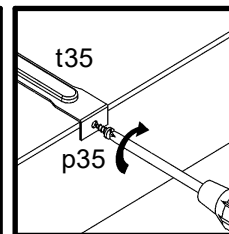
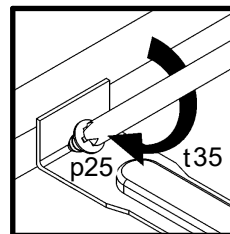
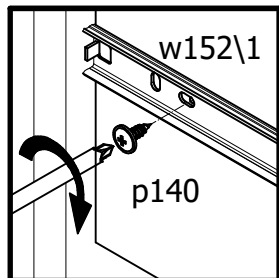
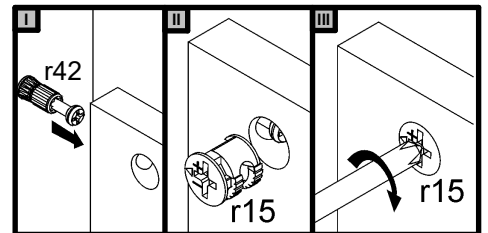
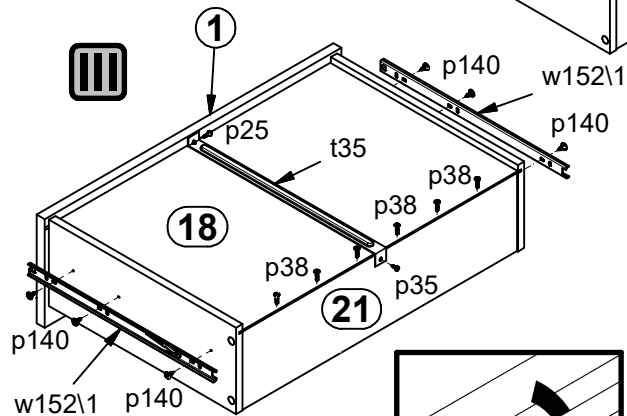
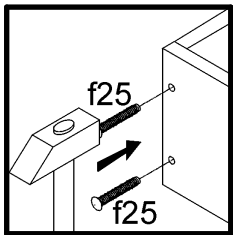
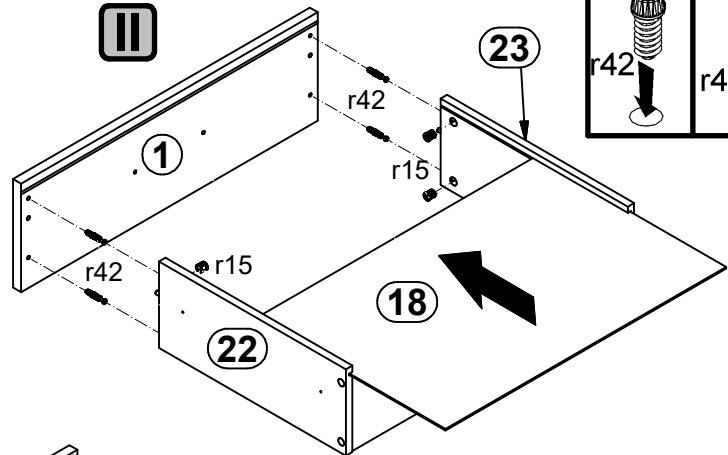
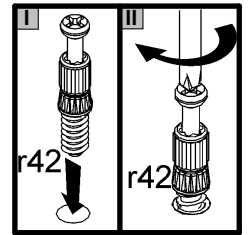
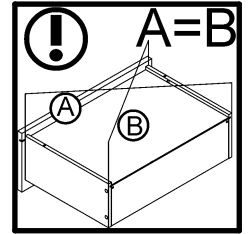
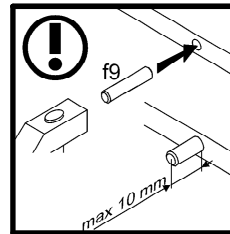
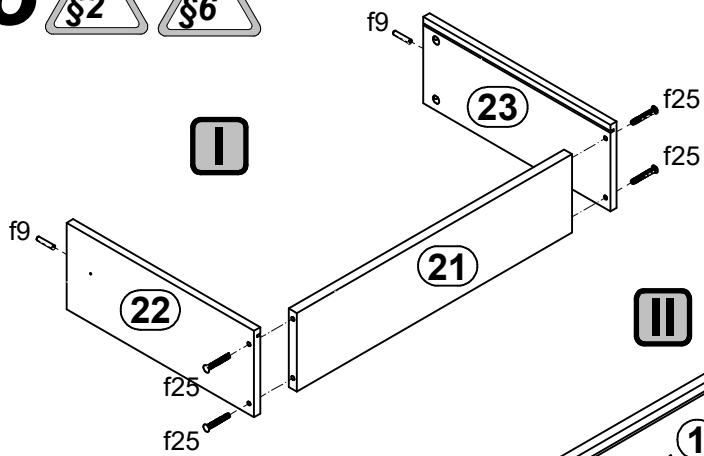


5 §6

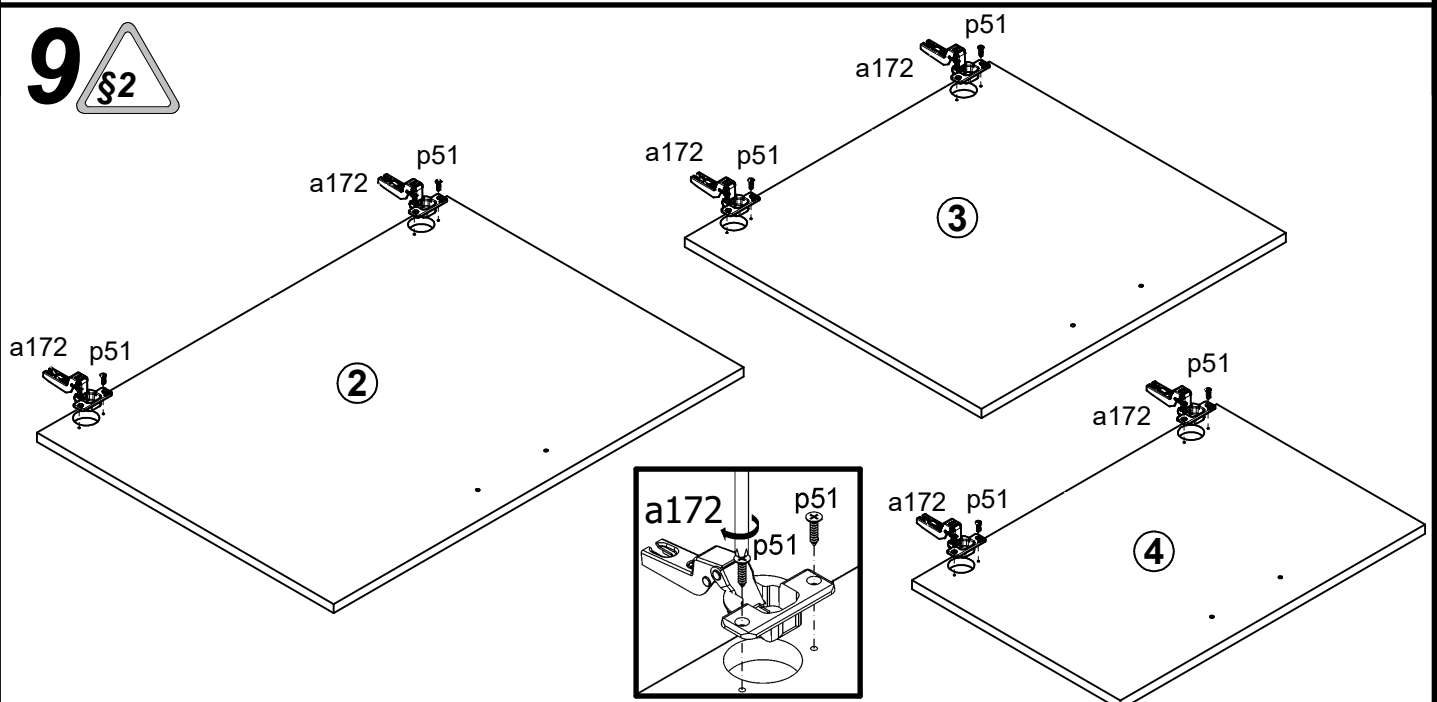




# 8



# 9



# 10

