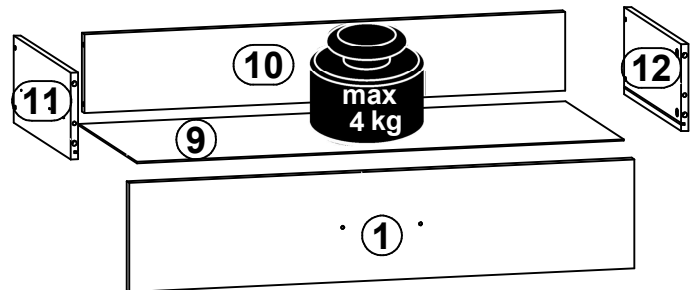
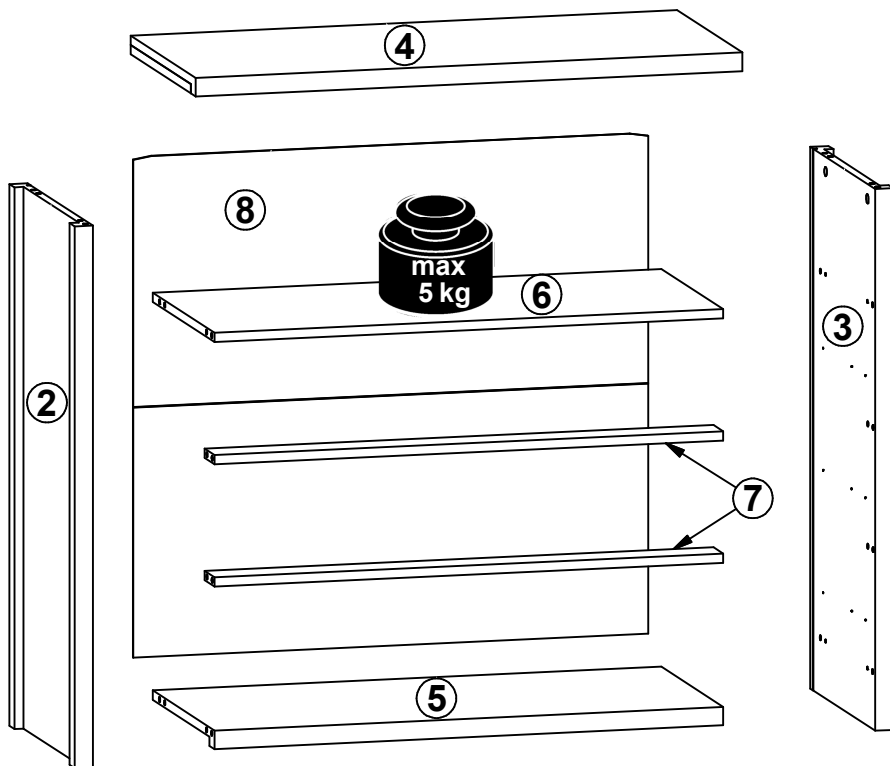
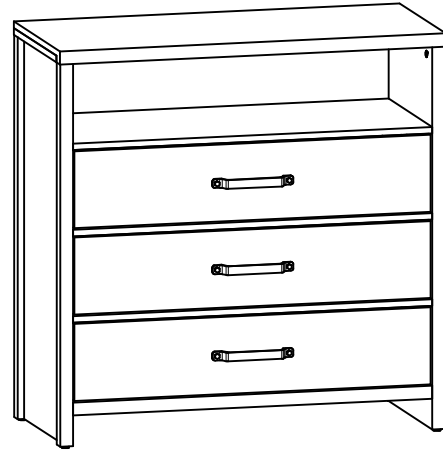


**A**

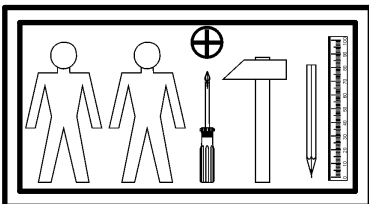
**WESTON**

**S483-KOM3S**

A	B	C	D
1	S483-0005	830	176
2	S483-1011	873	399
3	S483-1012	873	399
4	S483-2004	898	400
5	S483-3003	836	379
6	S483-3004	836	379
7	S483-4008	836	60
8	S483-9301	807	846
9	S483-9003	800	357
10	ZK3-5154	790	127
11	ZK3-511	350	140
12	ZK3-512	350	140

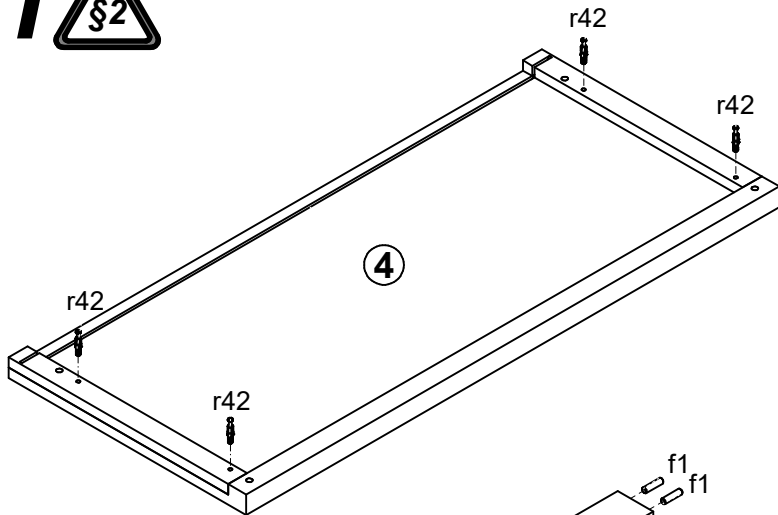
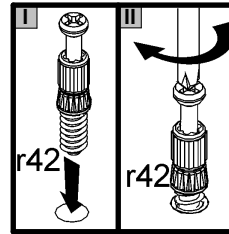


**3x**

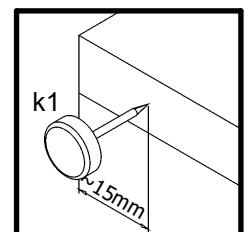
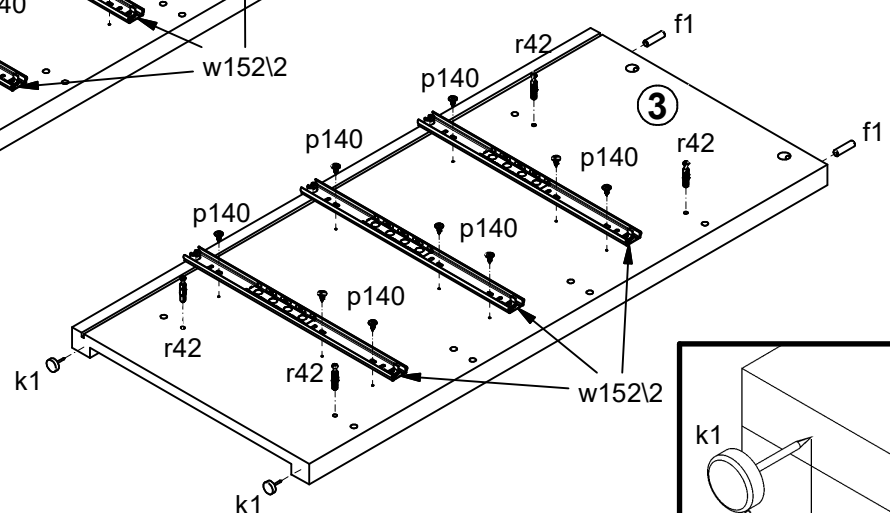
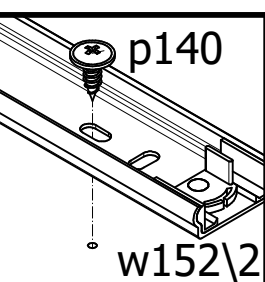
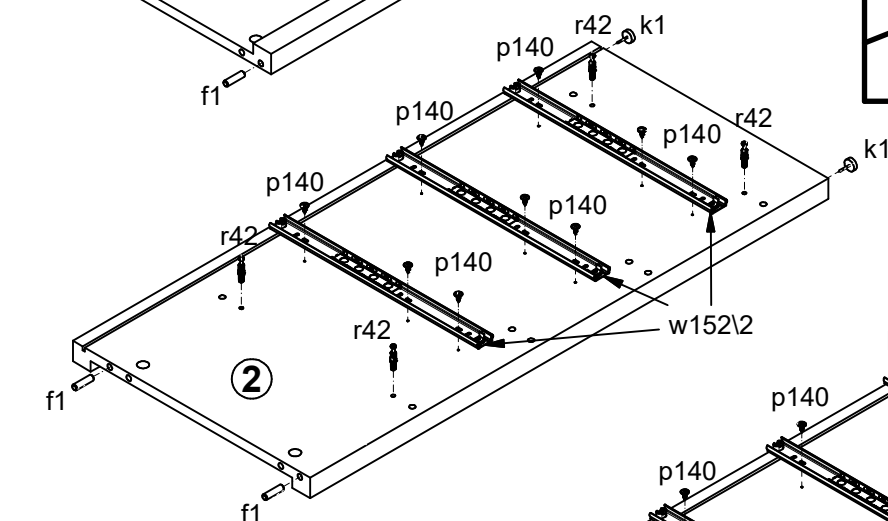
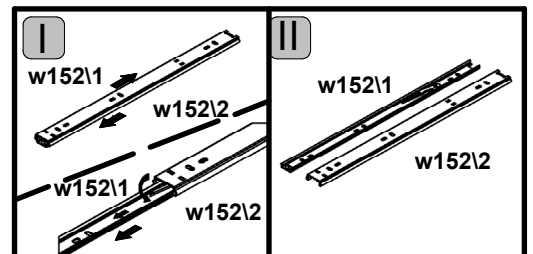
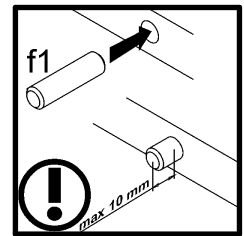
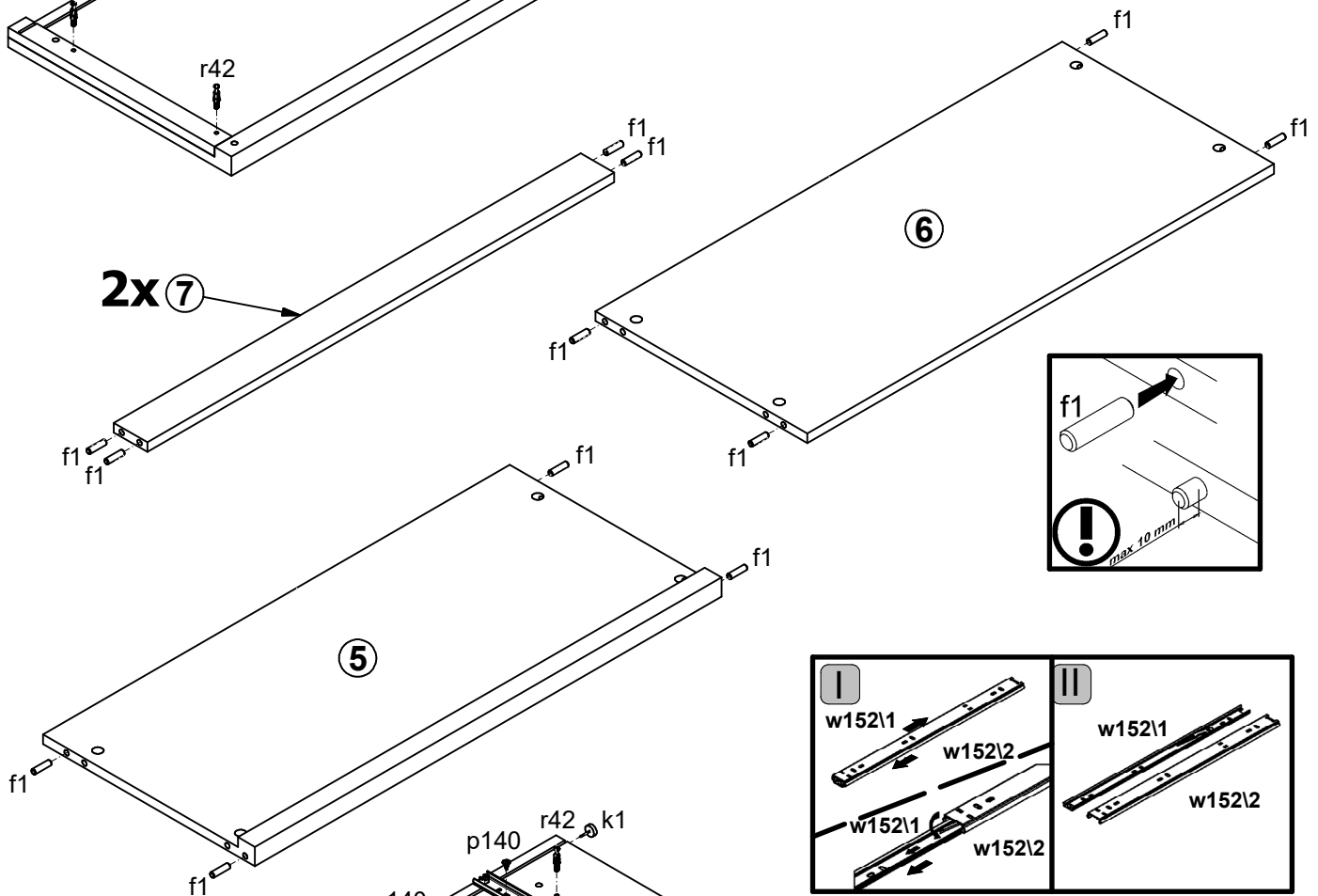


3x Ø28 mm c511/1	20x Ø8x30 mm f1	6x Ø6x30 mm f9	12x Ø6,5x40 mm f25	4x k1	6x l2	3x Ø3,5x16 mm p25	3x Ø3,5x10 mm p35	18x Ø3,5x16 mm p38
5x Ø2,9x16 mm p55	6x Ø4x22 mm p60	36x Ø3,5x12 mm p140	12x Ø15x12 mm #16 r1	12x Ø12x10,5 mm #12 r15	24x 20/11 r42	3x 350 mm t35	6x 350/580 mm w152/1	6x 350/580 mm w152/2
4x Ø20mm s68						1x n26		1x Ø3,5x16 mm p38

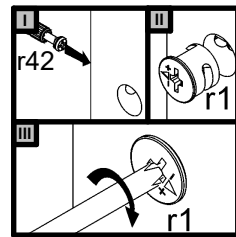
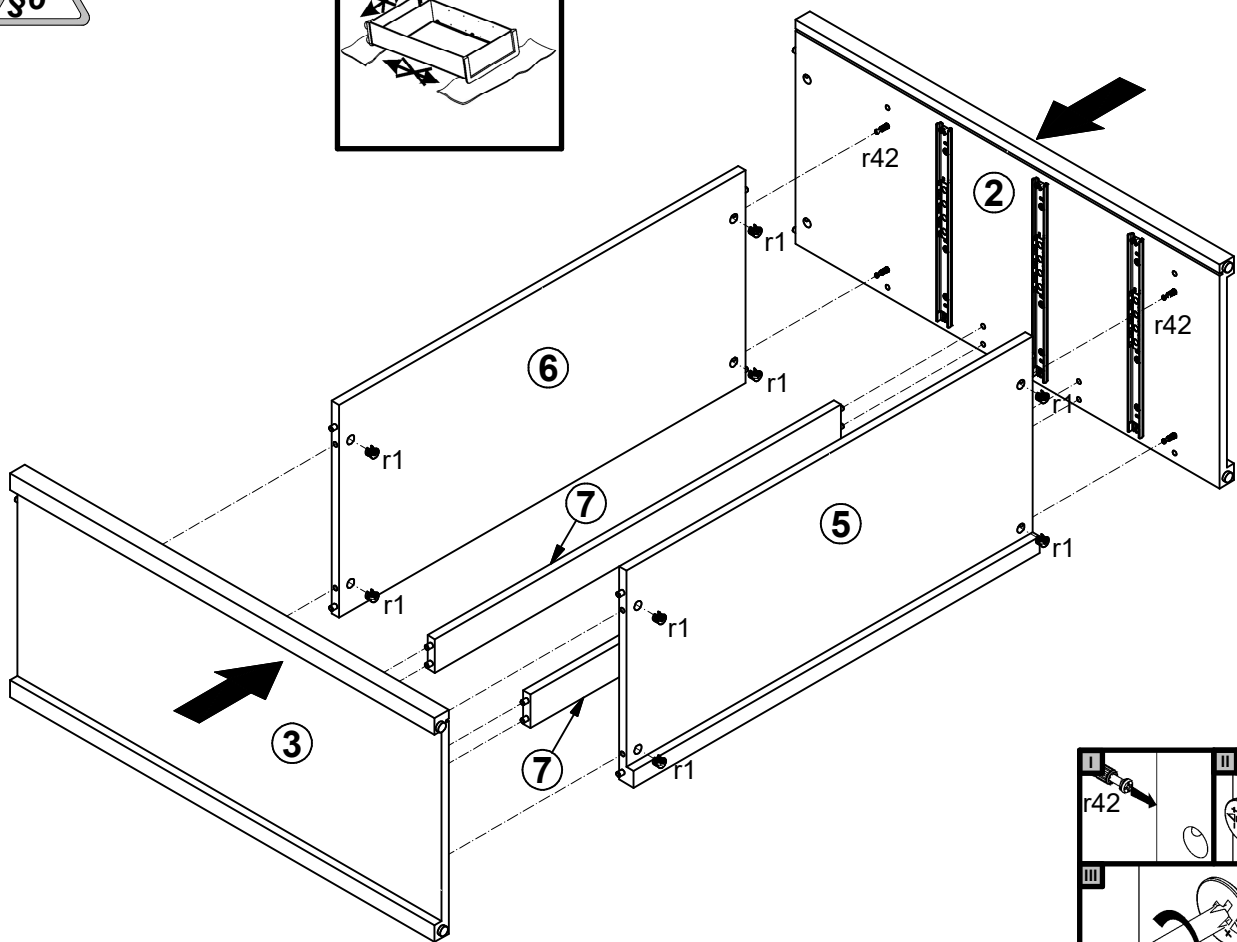
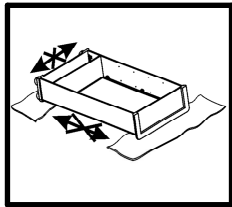
1 



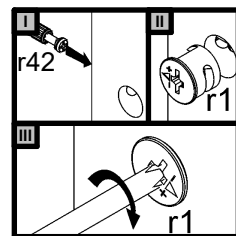
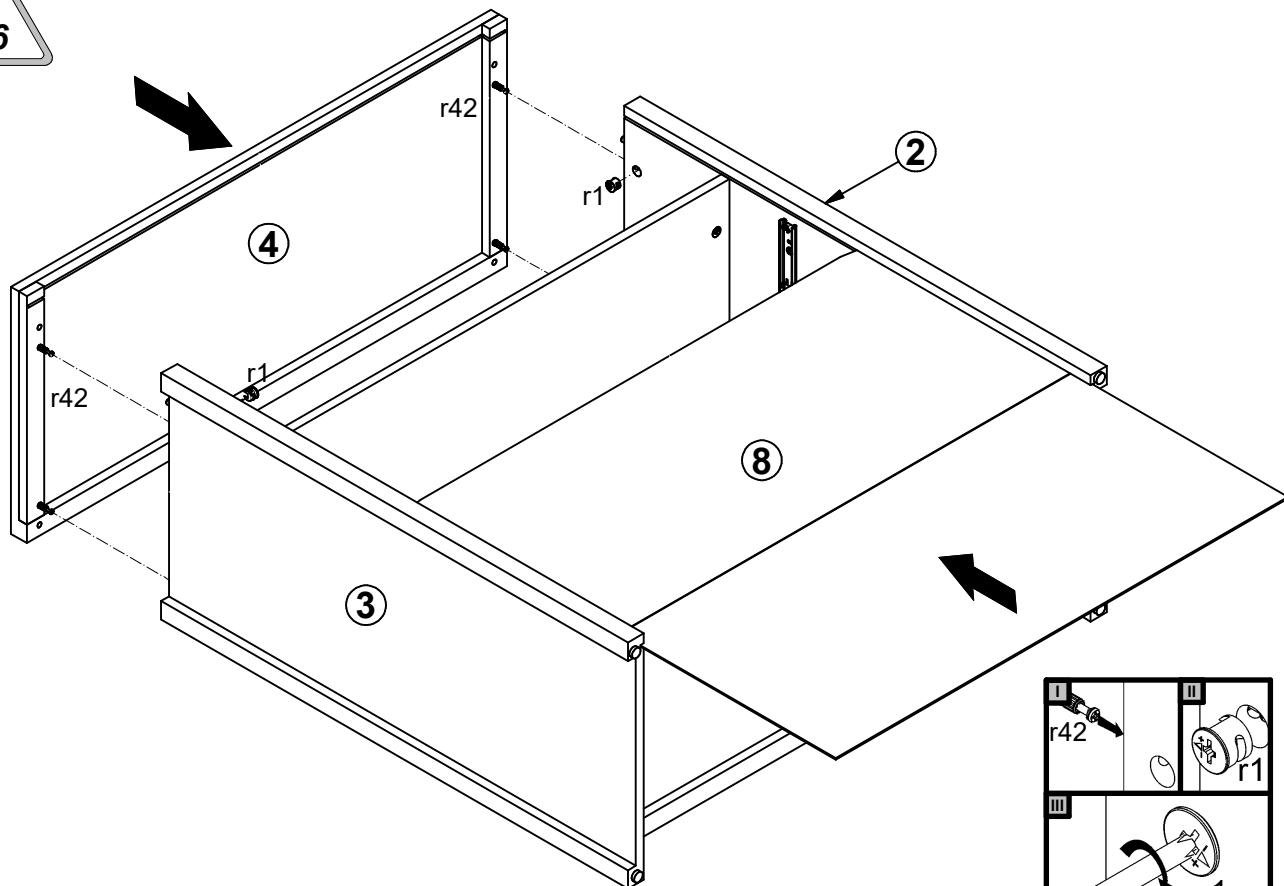
2x 7



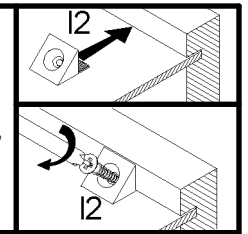
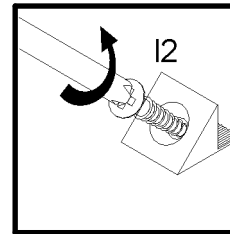
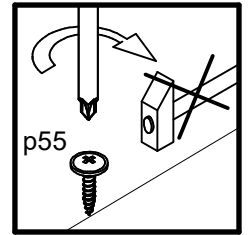
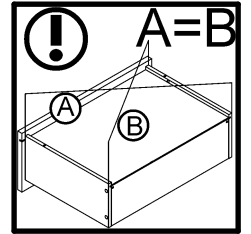
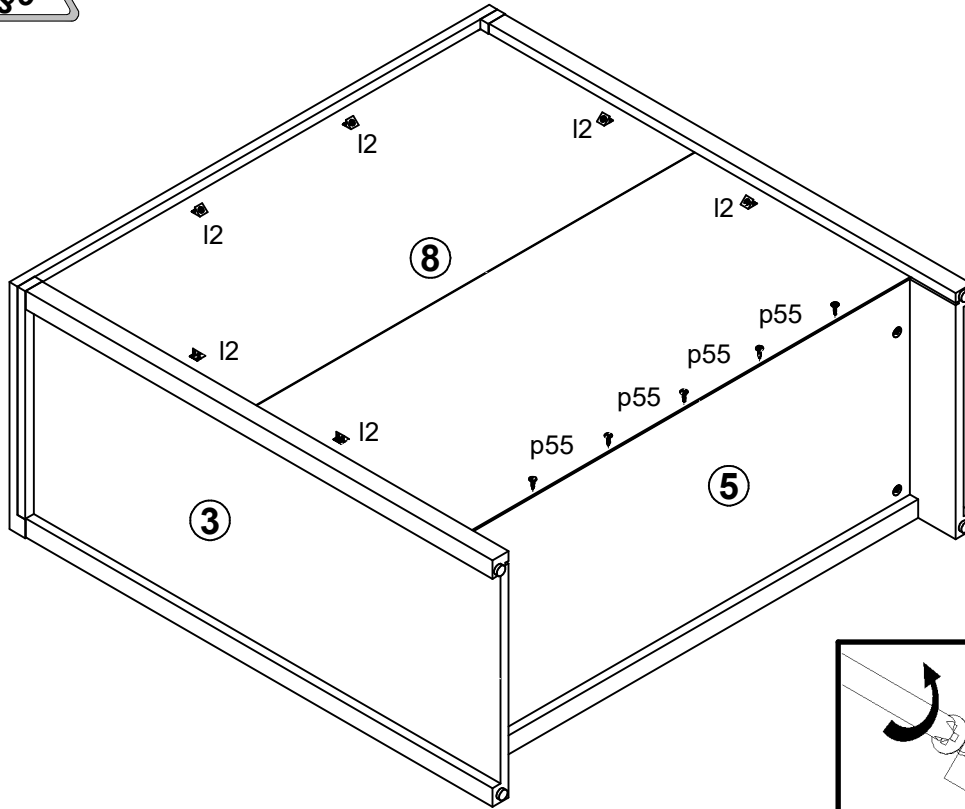
2 §6



3 §6

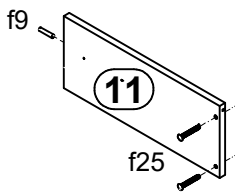
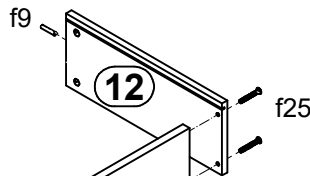


**4** 

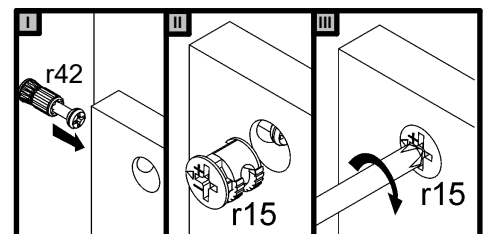
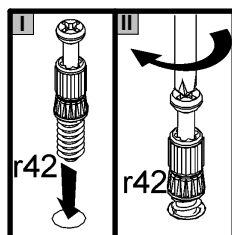
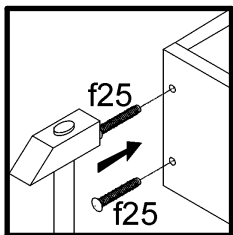
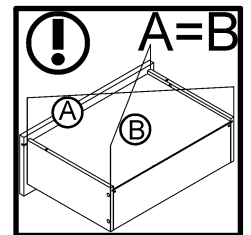
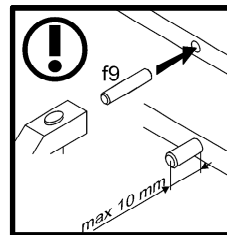
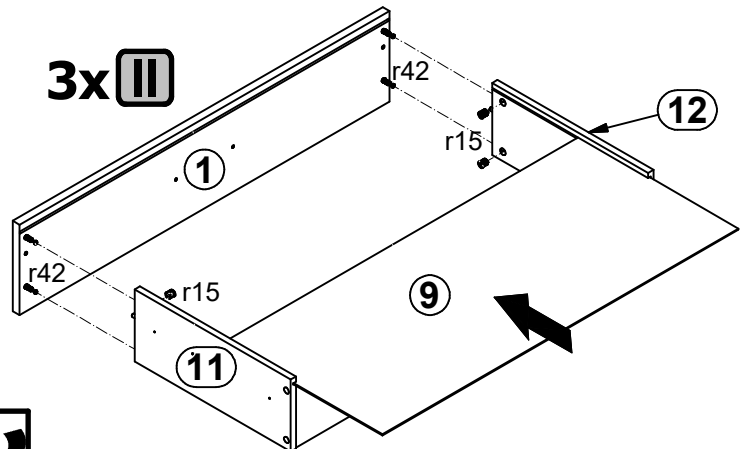


**5**  

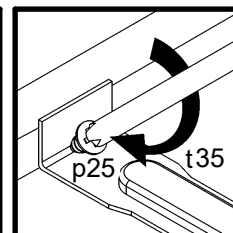
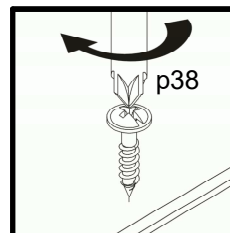
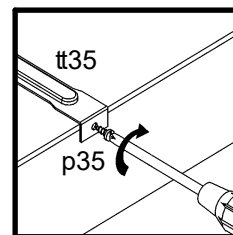
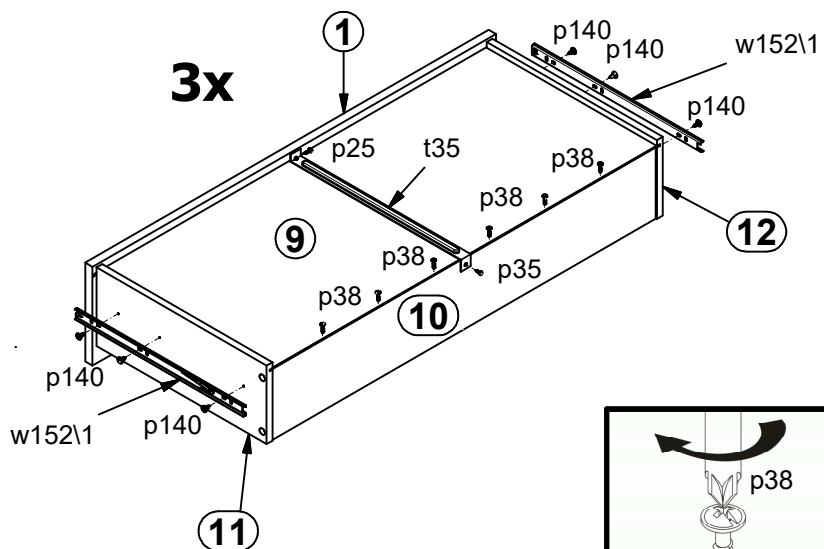
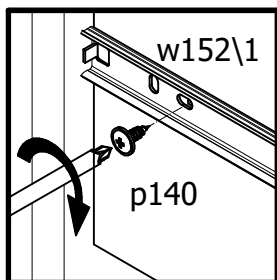
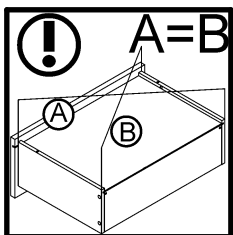
**3x I**



**3x II**



# 6



# 7

