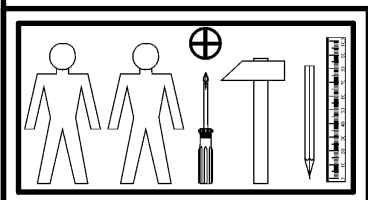
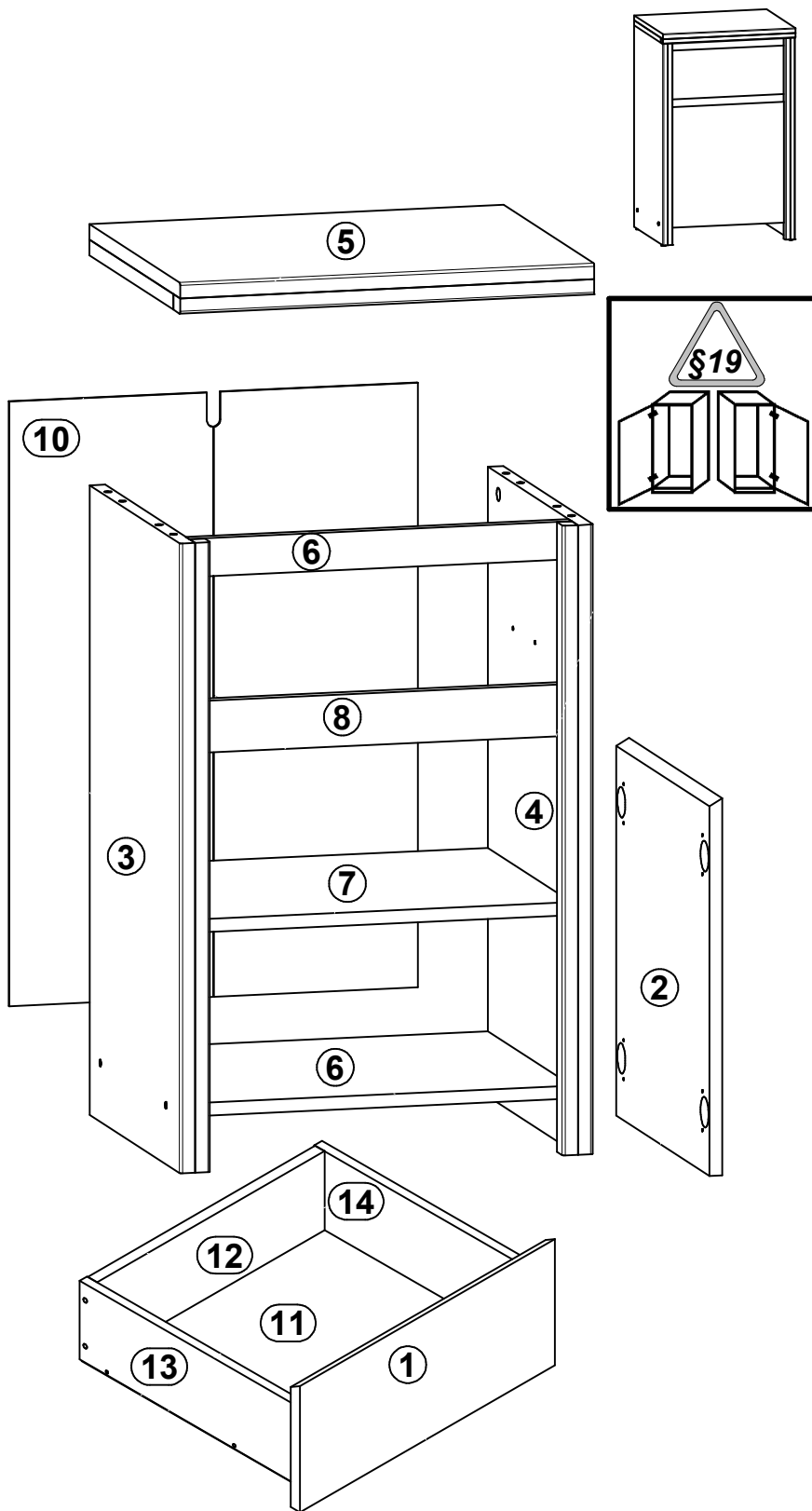


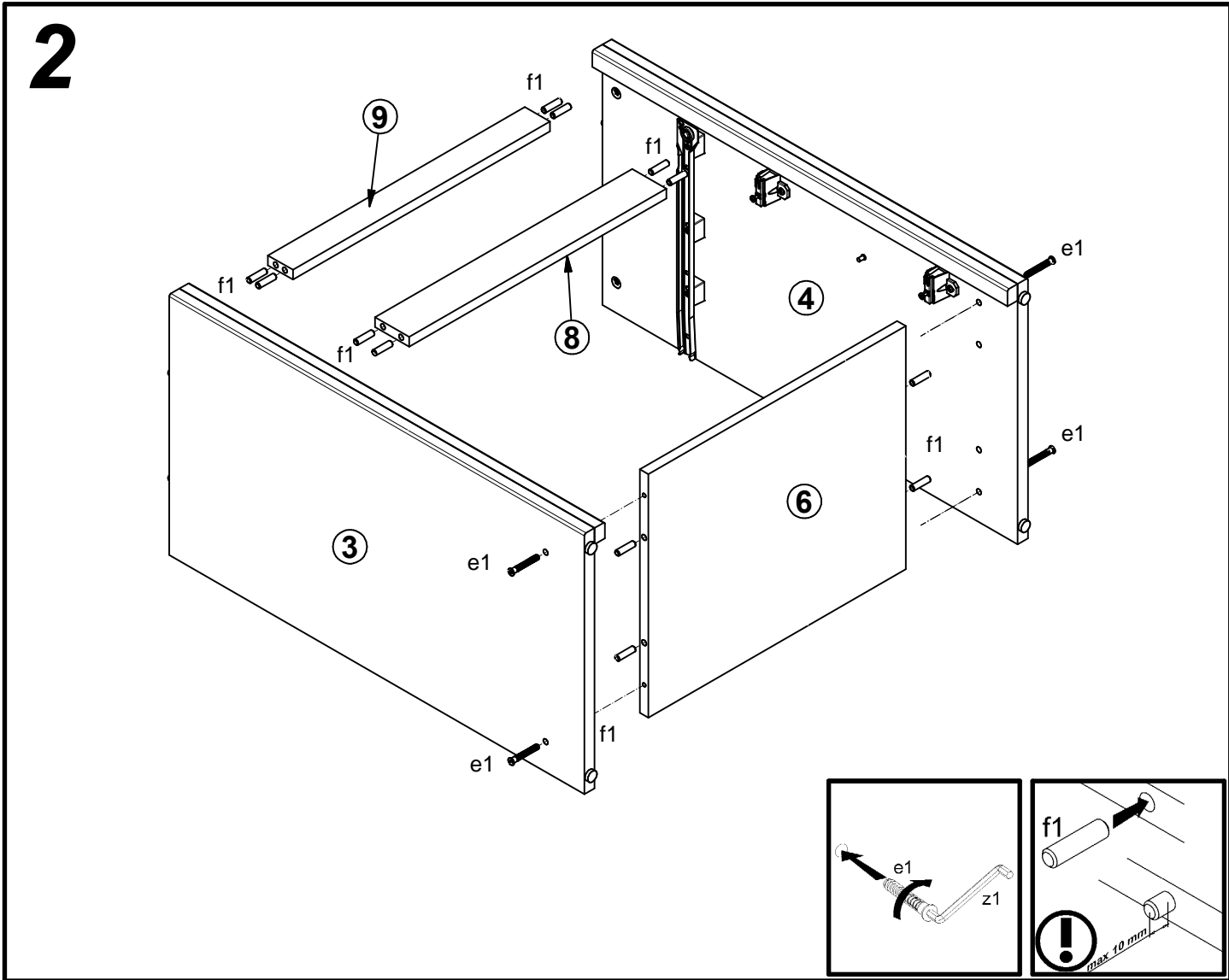
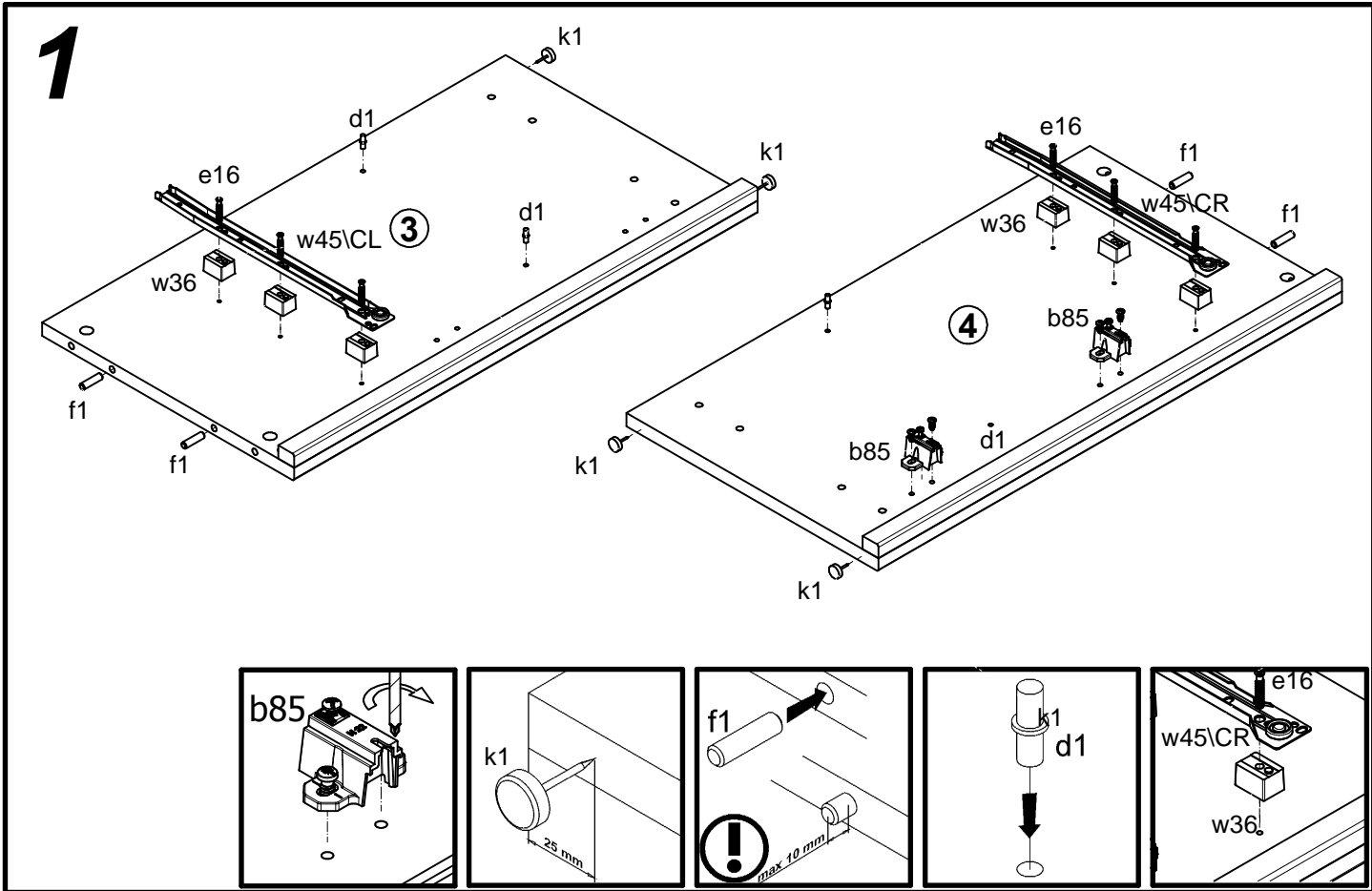
# KASPIAN

# S128-KOM1D1SP

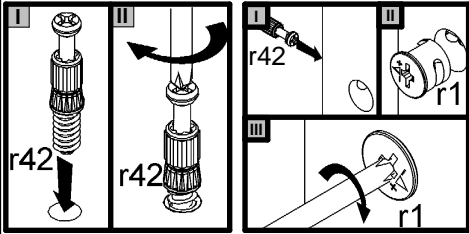
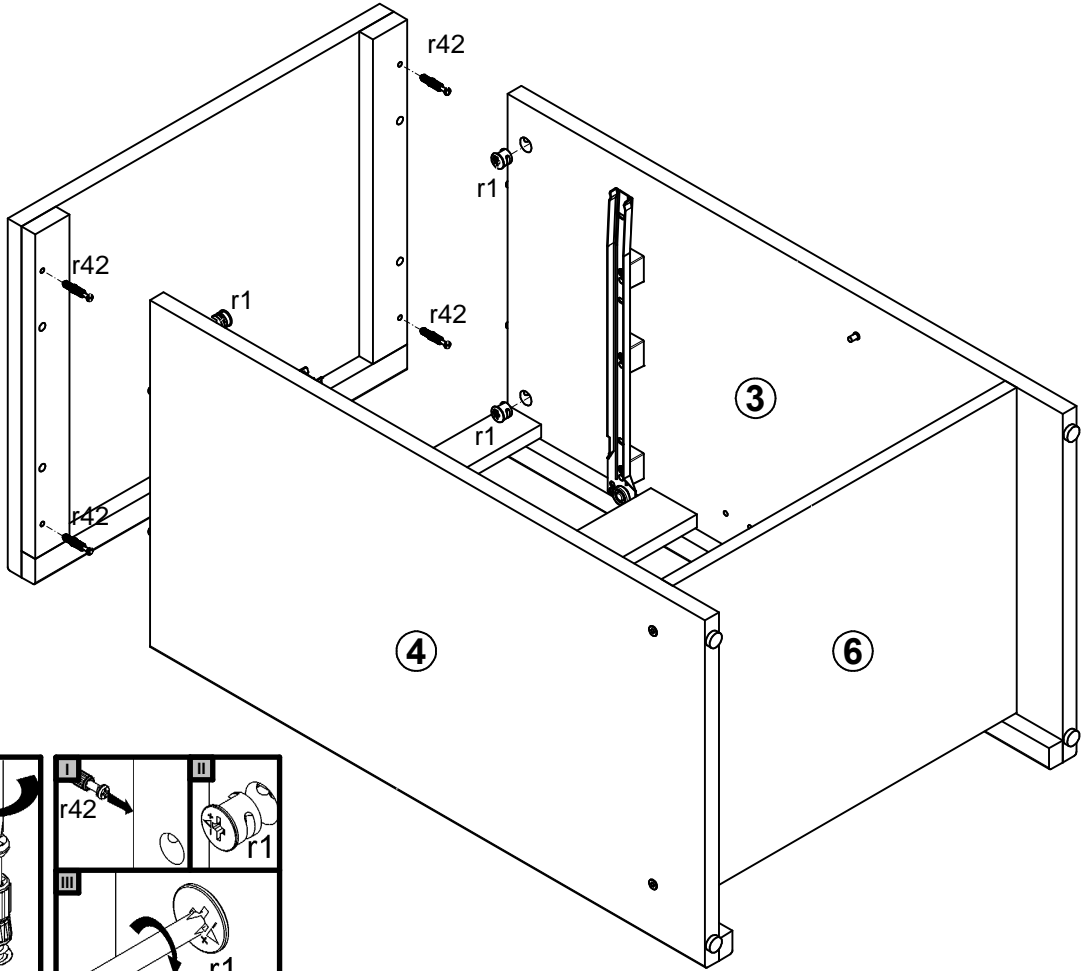
A	B	C1	C2	C3	D
1	S508-0014	410	176	15	2/2
2	S508-0015	410	436	15	2/2
3	S508-1020	728,	396	36	1/2
4	S508-1021	728,	396	36	1/2
5	S508-2007	488	399	36	1/2
6	S508-3008	451	370	15	1/2
7	S508-3009	450	368	15	1/2
8	S508-4013	451	60	15	1/2
9	S508-4014	451	44	15	1/2
10	S508-9307	699	481	2,5	1/2
11	WSP-9291	908,	358	2,5	1/2
12	ZS7-5036	366	110	15	1/2
13	ZS7-521	350	110	12	1/2
14	ZS7-522	350	110	12	1/2



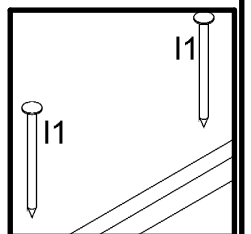
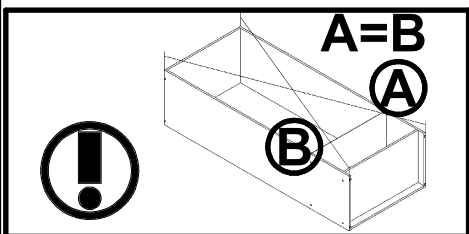
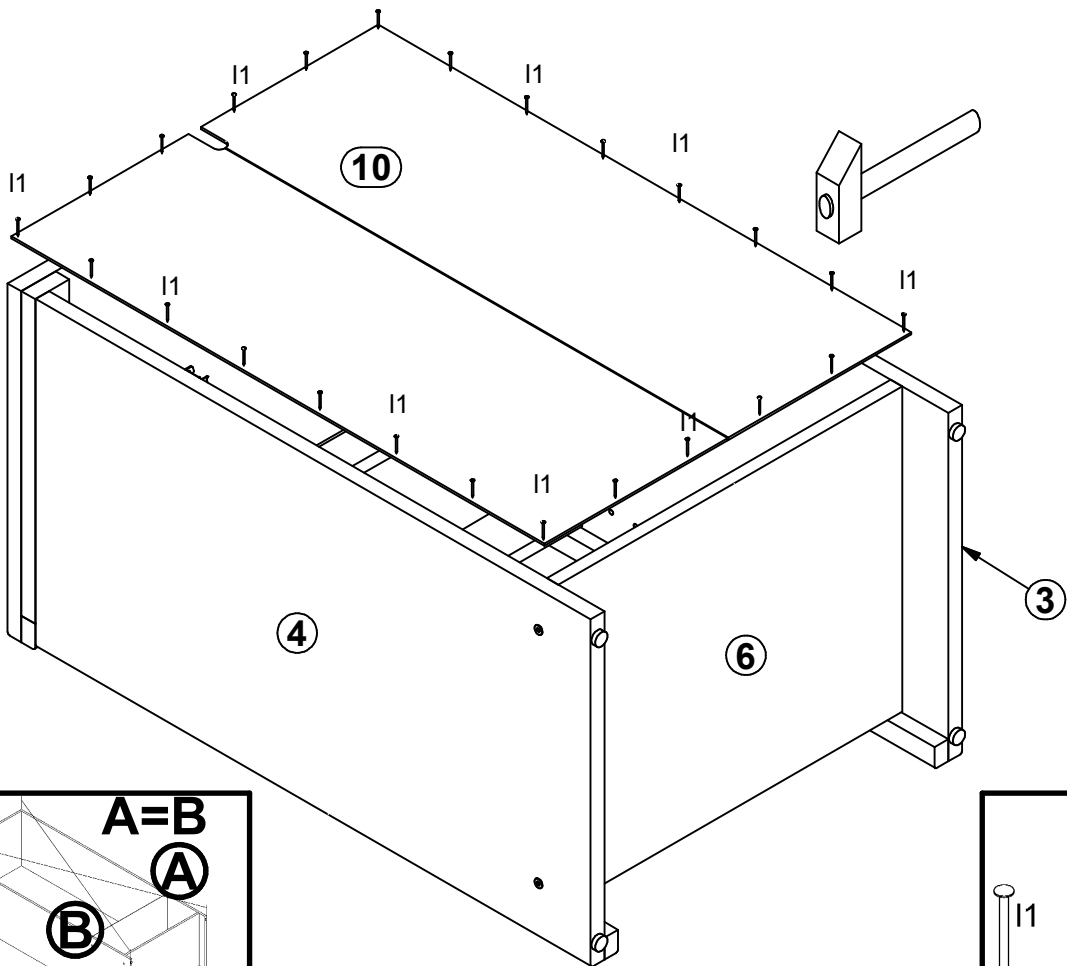
2x K18 Ø35 a172	2x b85	4x φ5x17 mm d1	4x φ7x50 mm e1	6x φ6x30 mm e16	4x φ5x9 mm e19	2x Ø35x62x40x10 S71	16x φ8x30 mm f1	4x φ6.5x40 mm f25
4x k1	29x l1	4x φ3.5x15 mm p51	4x φ1.5x12mm #16 r1	4x φ12x10.5mm #12 r15	8x r42	6x h=18 mm w36	1x 350 mm w45ICL	1x 350 mm w45ICR
1x 350 mm w45IDL	1x 350 mm w45IDR	1x z1	4x s1					
1x Ø10x50 mm f35	1x 88x21x15/1.5 n14/2	1x Ø5x80 mm p17	2x Ø3.5x16 mm p38					



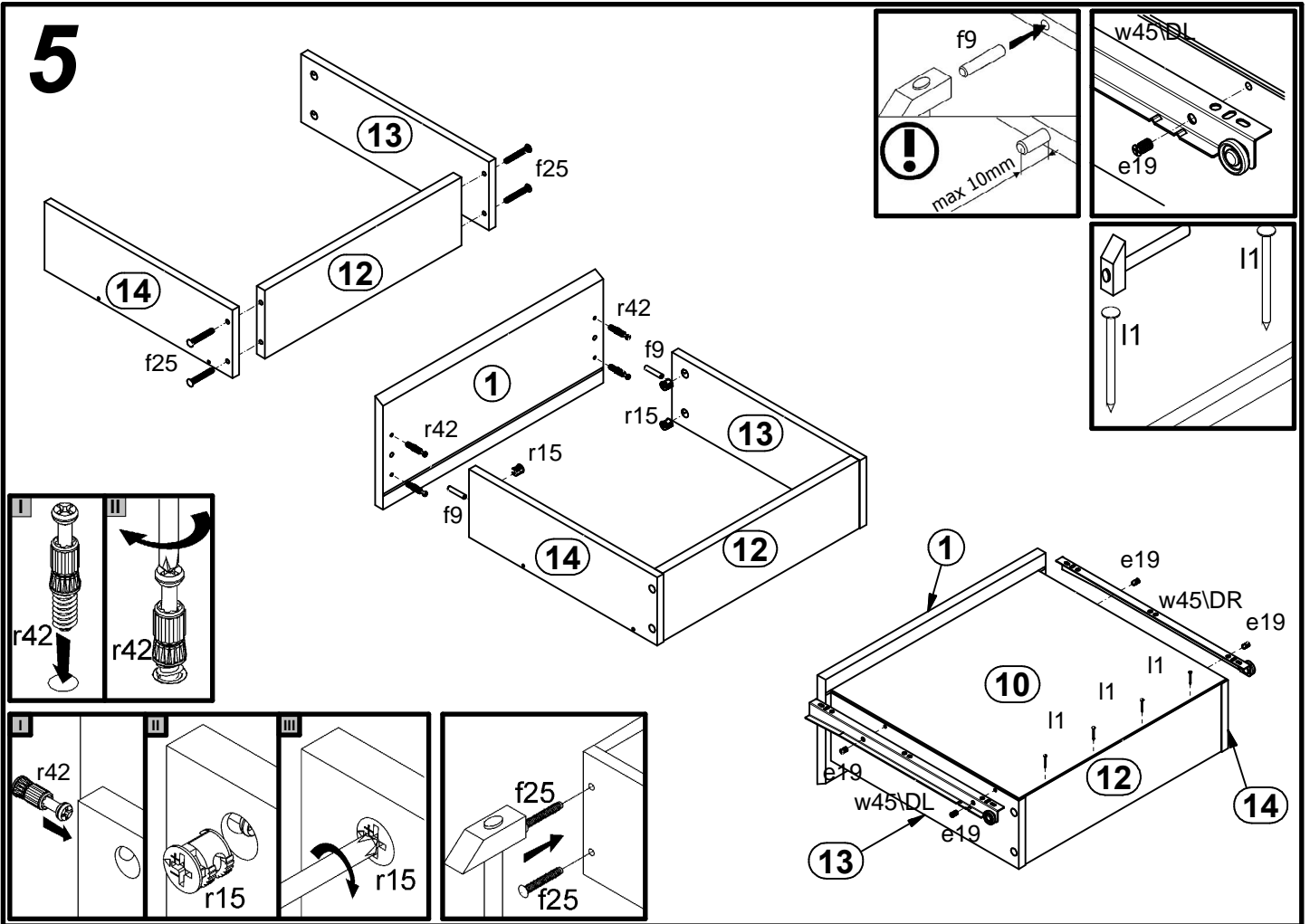
# 3



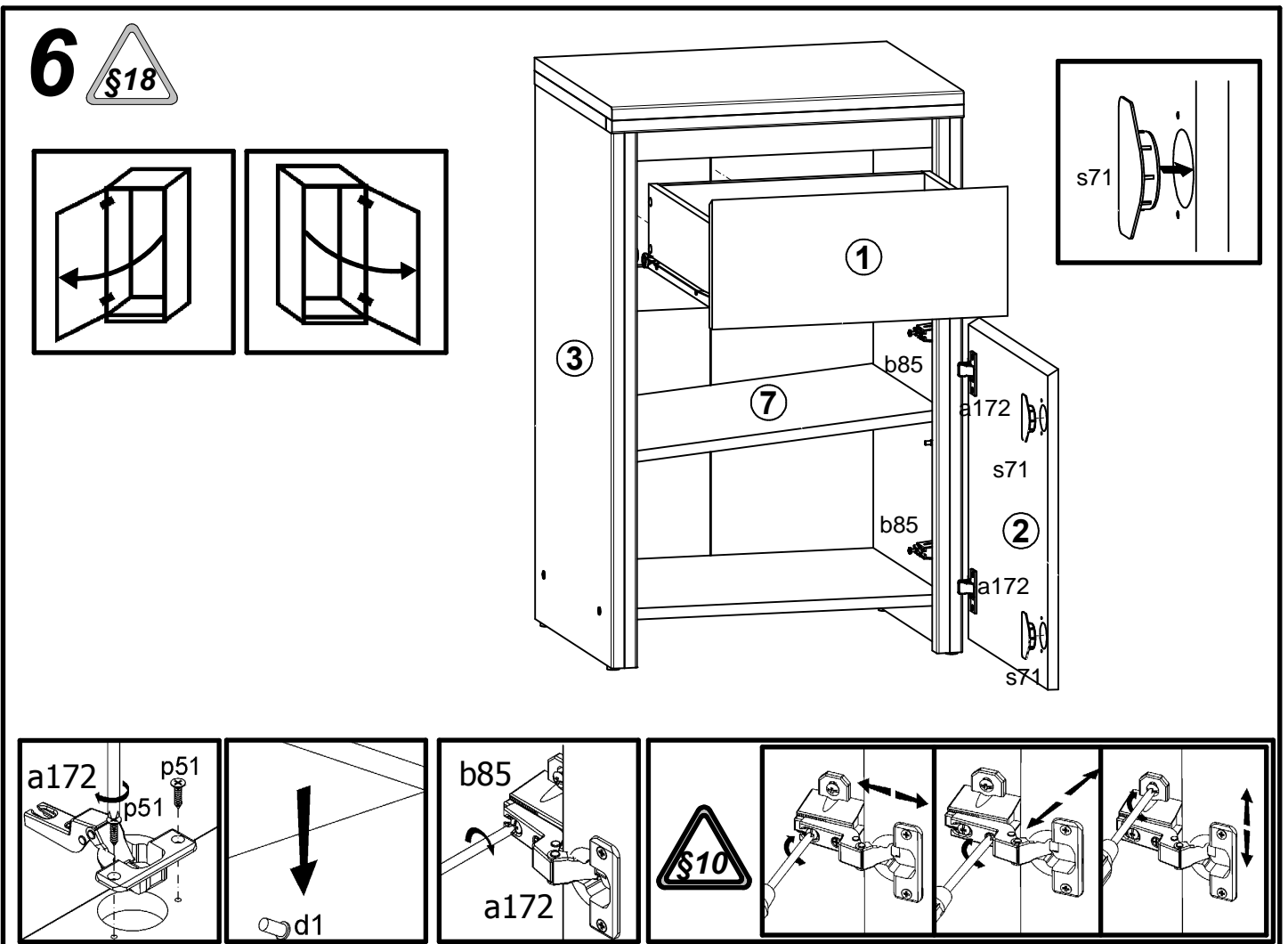
# 4



# 5



# 6



# 7

