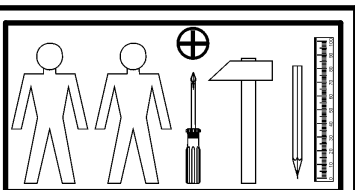
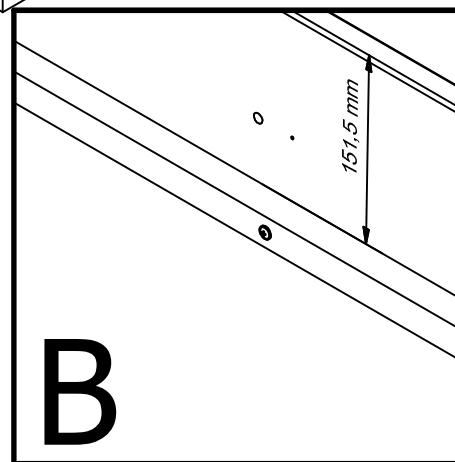
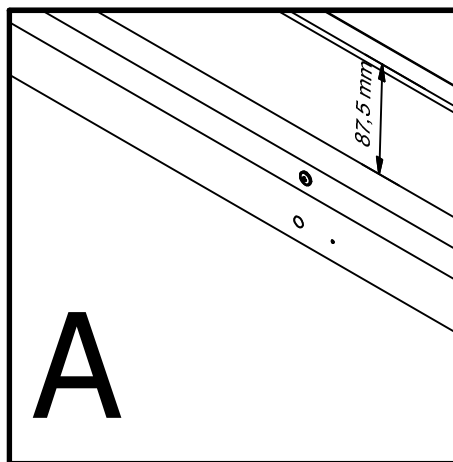
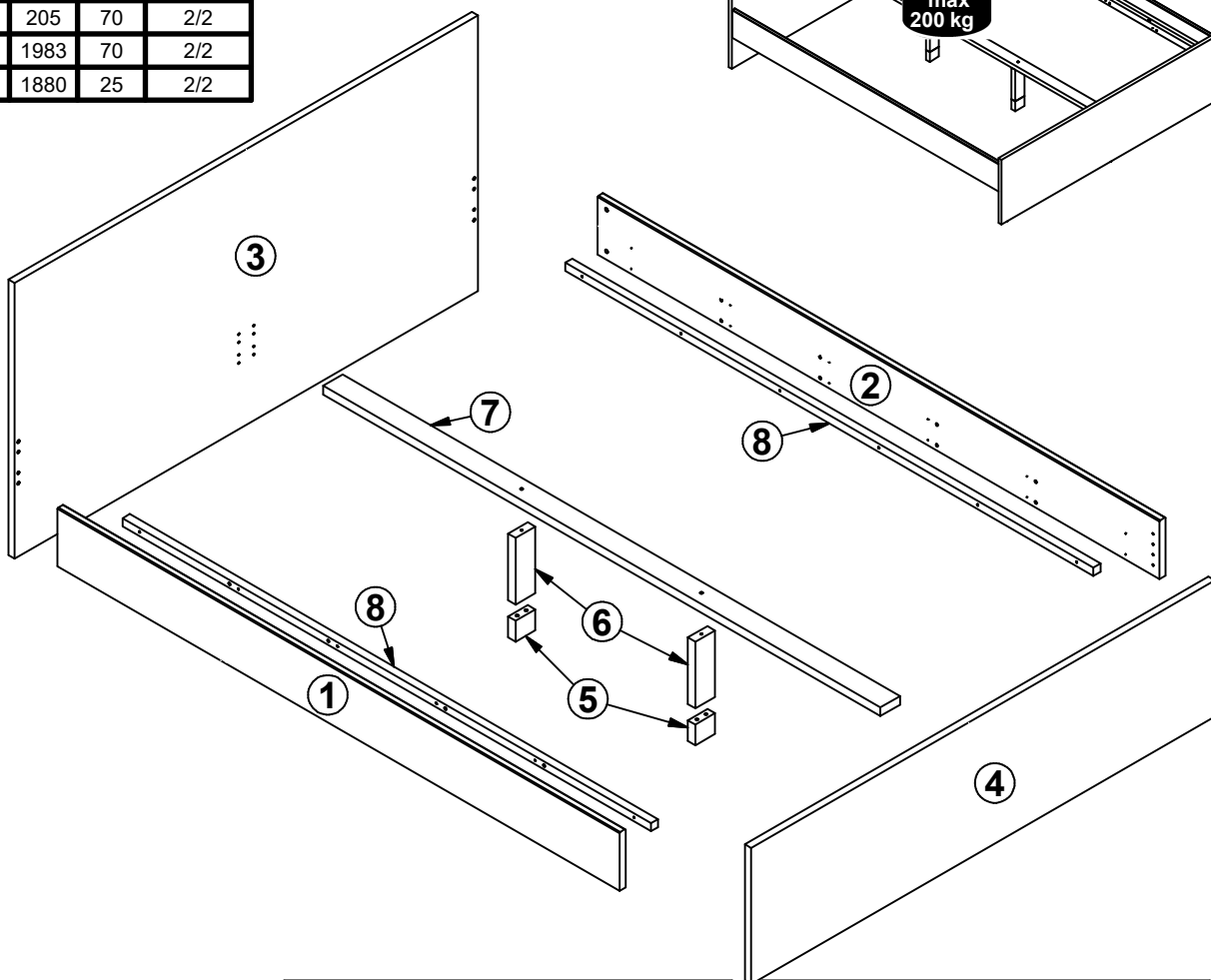
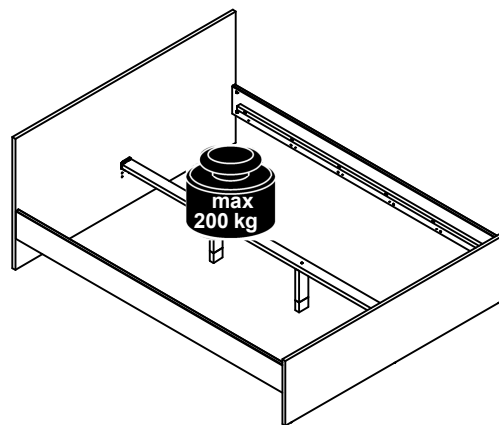


**A**

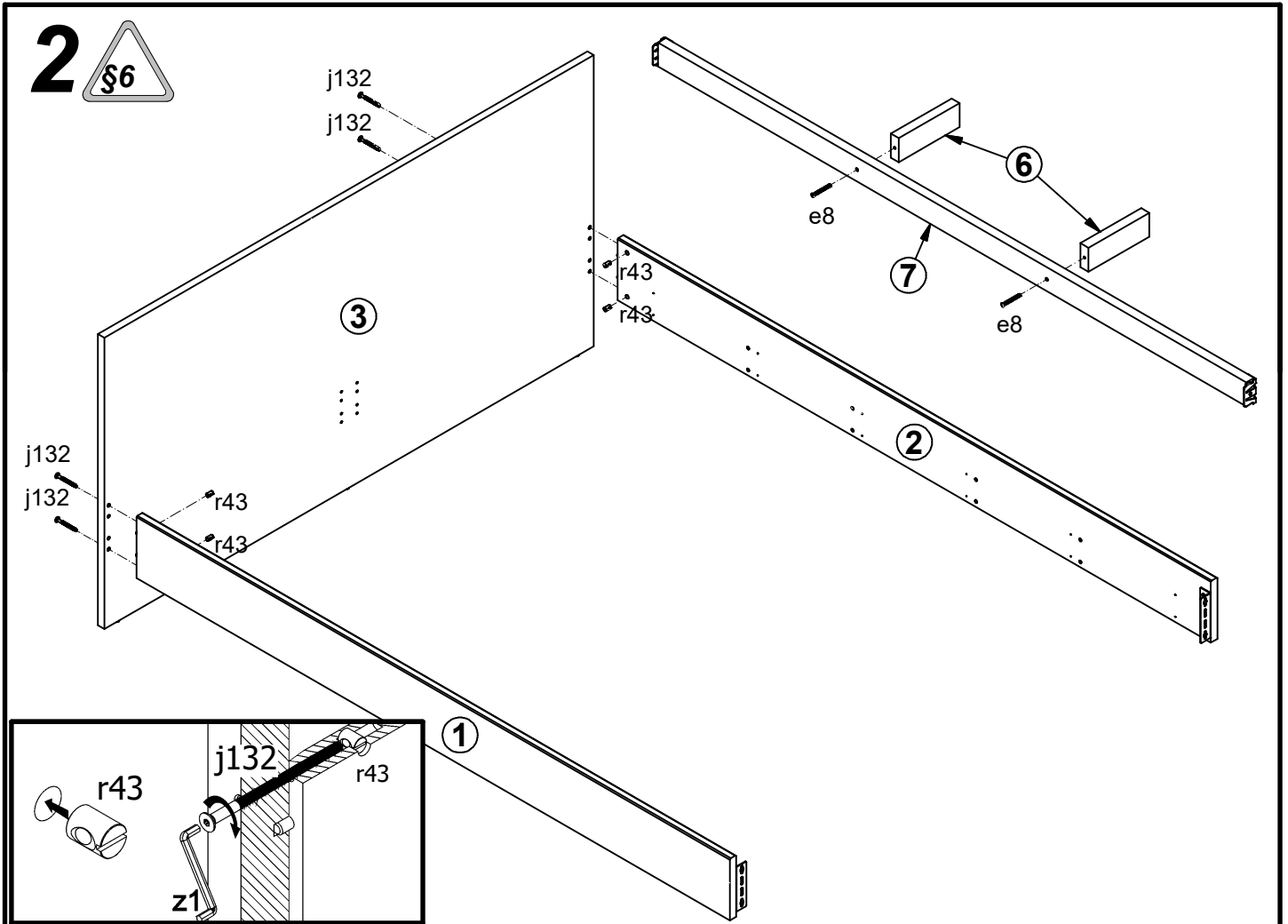
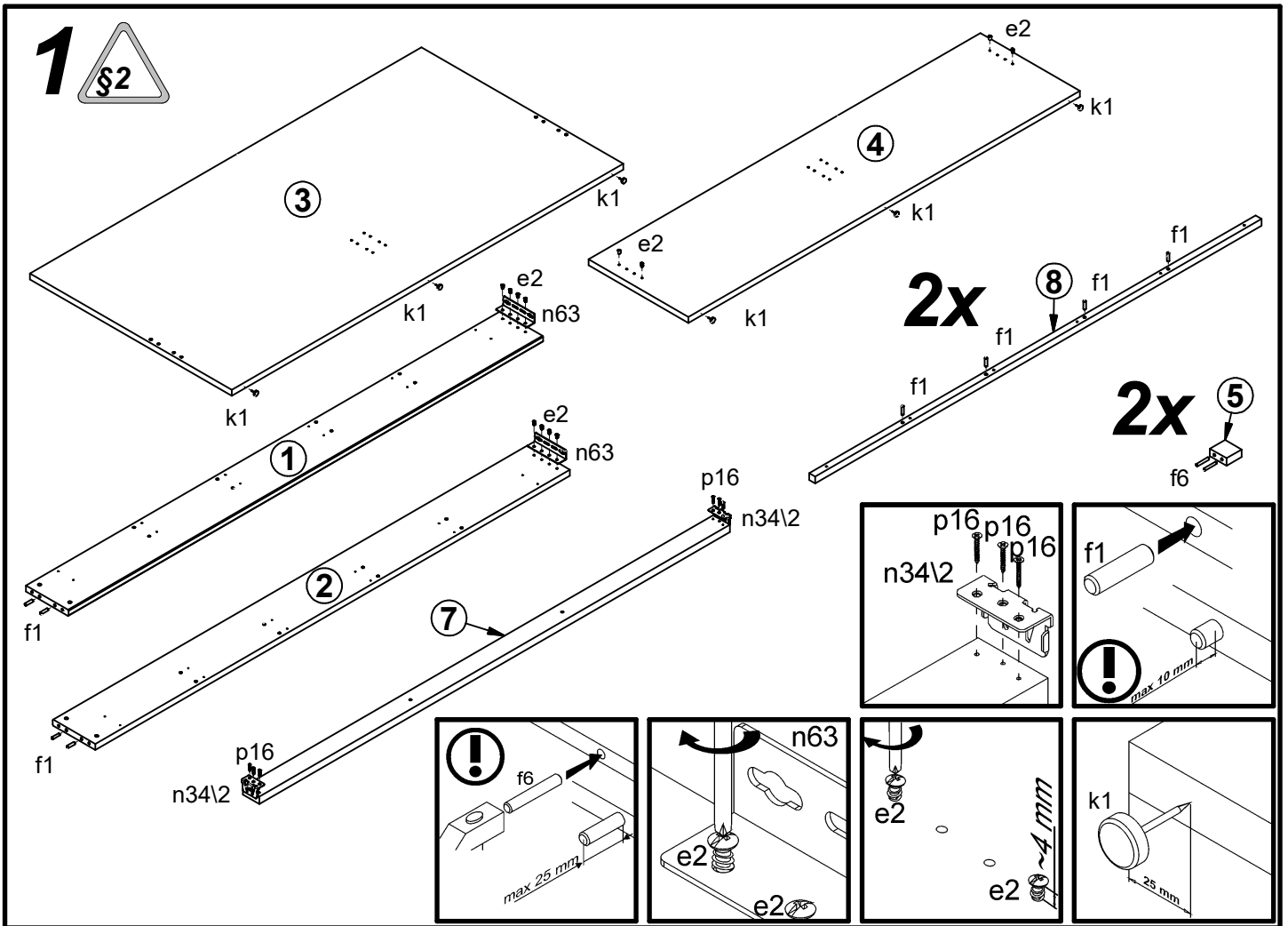
**ZELE/NUIS**

**S383-LOZ/160 S396-LOZ/160**

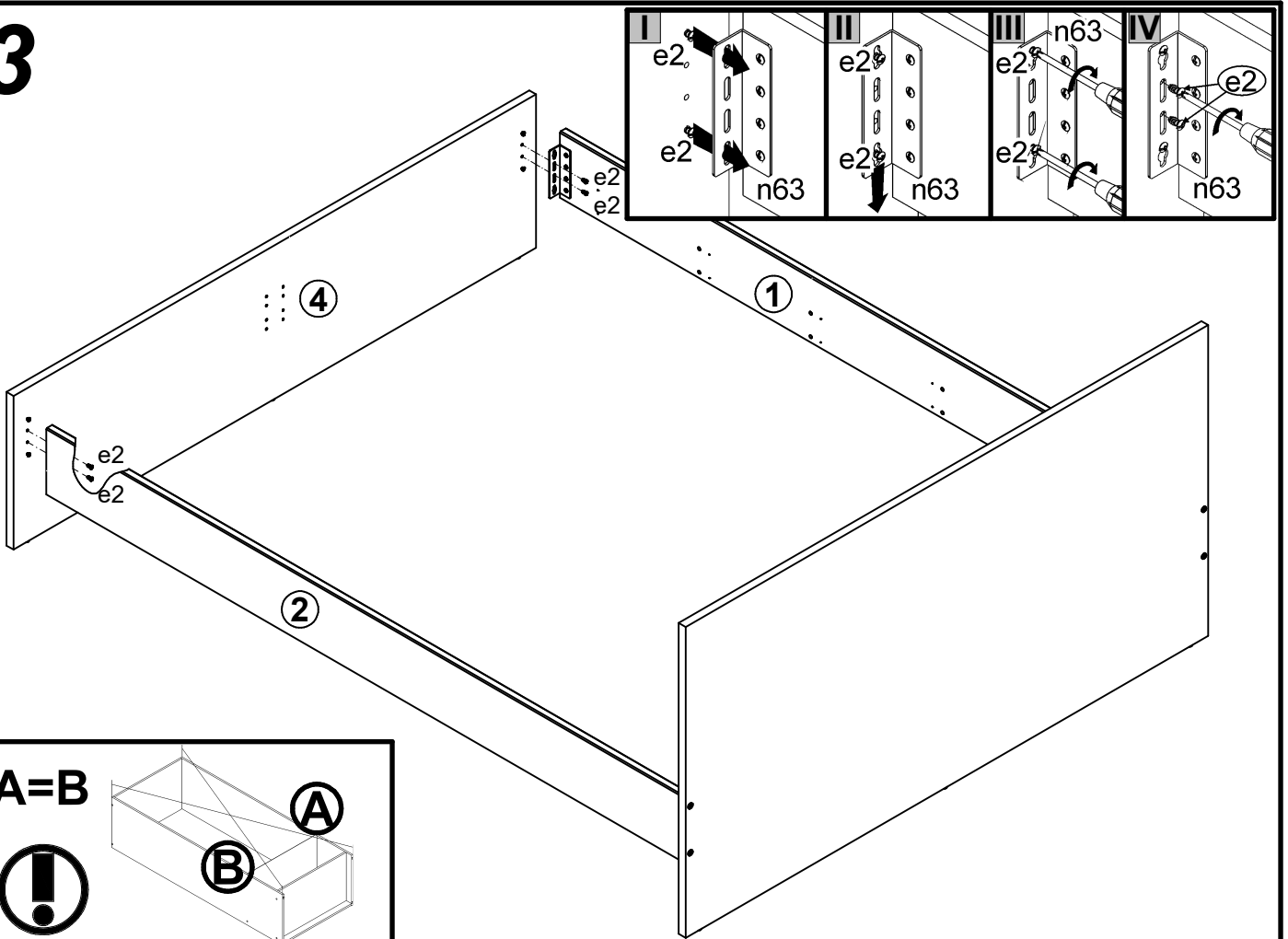
A	B	C	D
1	S382-4003	2000	180
2	S382-4004	2000	180
3	S383-4005	1650	850
4	S383-4006	1650	420
5	ZZ1-431	64	70
6	ZZ1-459	205	70
7	ZZ1-719	1983	70
8	ZZ1-747	1880	25



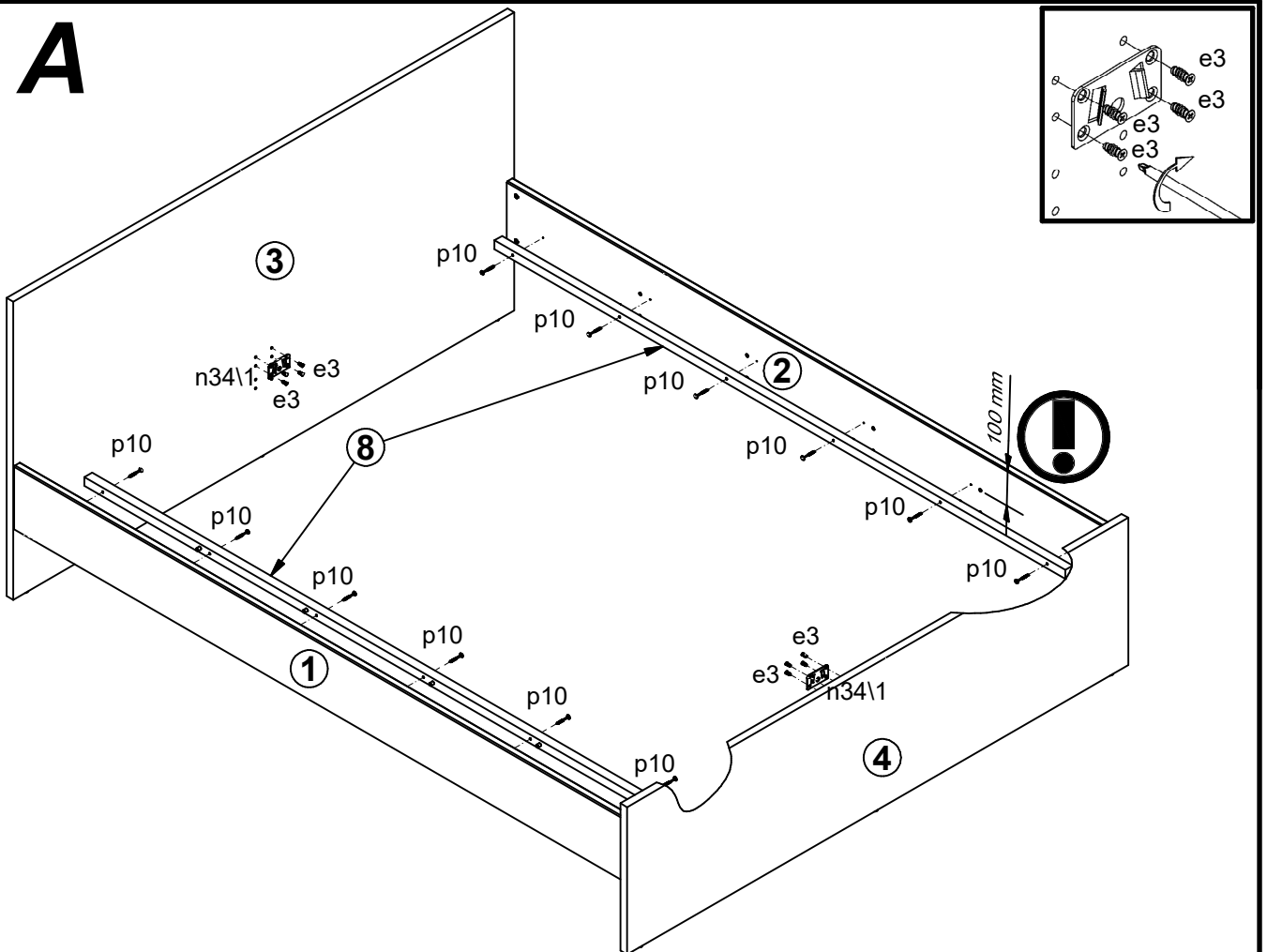
16x Ø6,3x13 mm <b>e2</b>	8x Ø6x13 mm <b>e3</b>	2x Ø7x60 mm <b>e8</b>	12x Ø8x30 mm <b>f1</b>	4x Ø8x50 mm <b>f6</b>	4x M6x65 mm <b>j132</b>	6x <b>k1</b>	2x <b>n34/1</b>	2x <b>n34/2</b>
2x 130x34x34/2 mm <b>n63</b>	12x Ø4x40 mm <b>p10</b>	6x Ø3,5x25 mm <b>p16</b>	6x Ø4x35 mm <b>p6</b>	4x Ø10x16 mm <b>r43</b>	1x 4 mm <b>z1</b>			



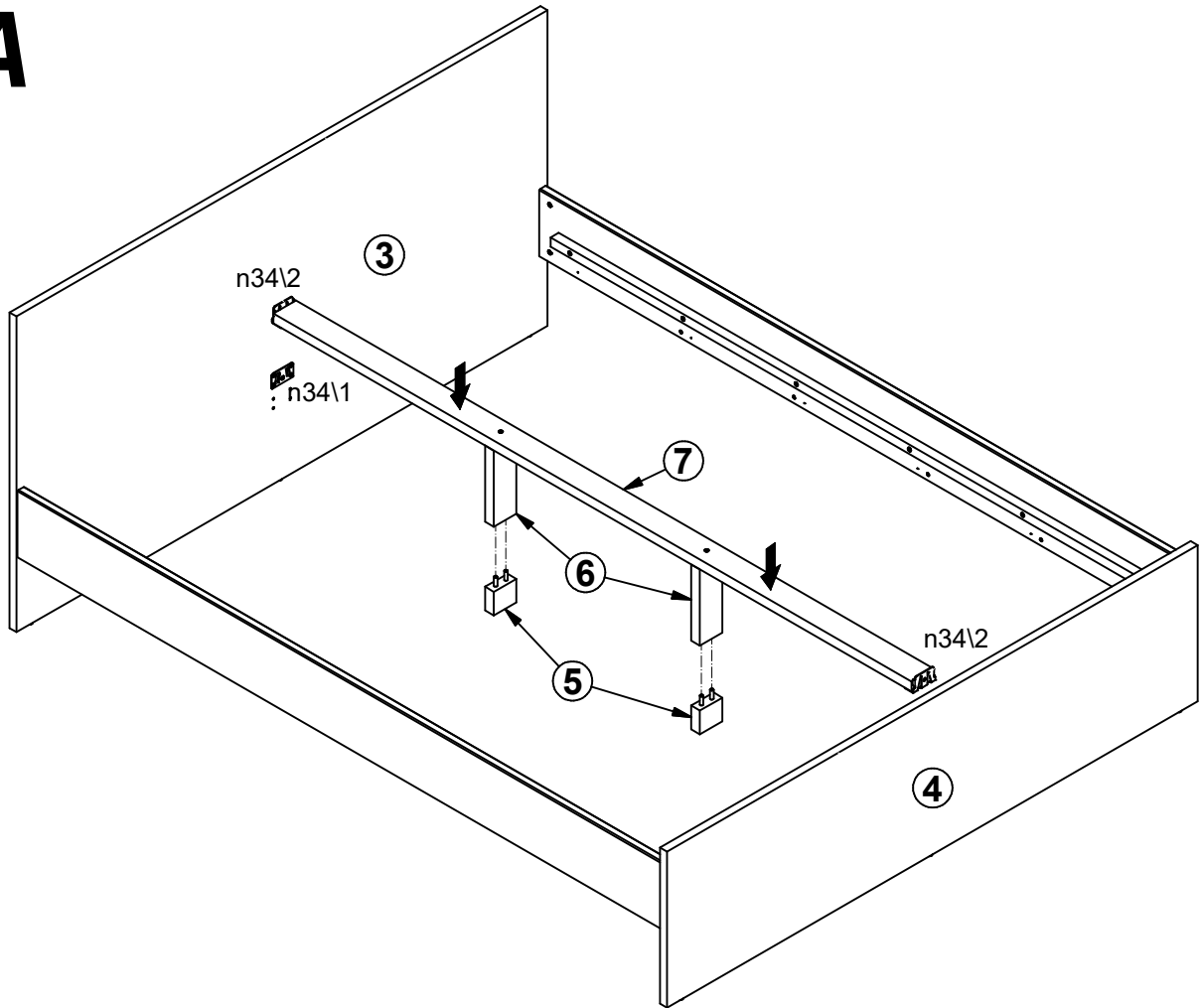
# 3



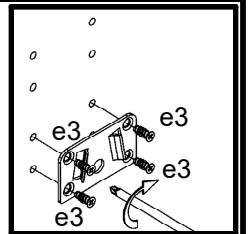
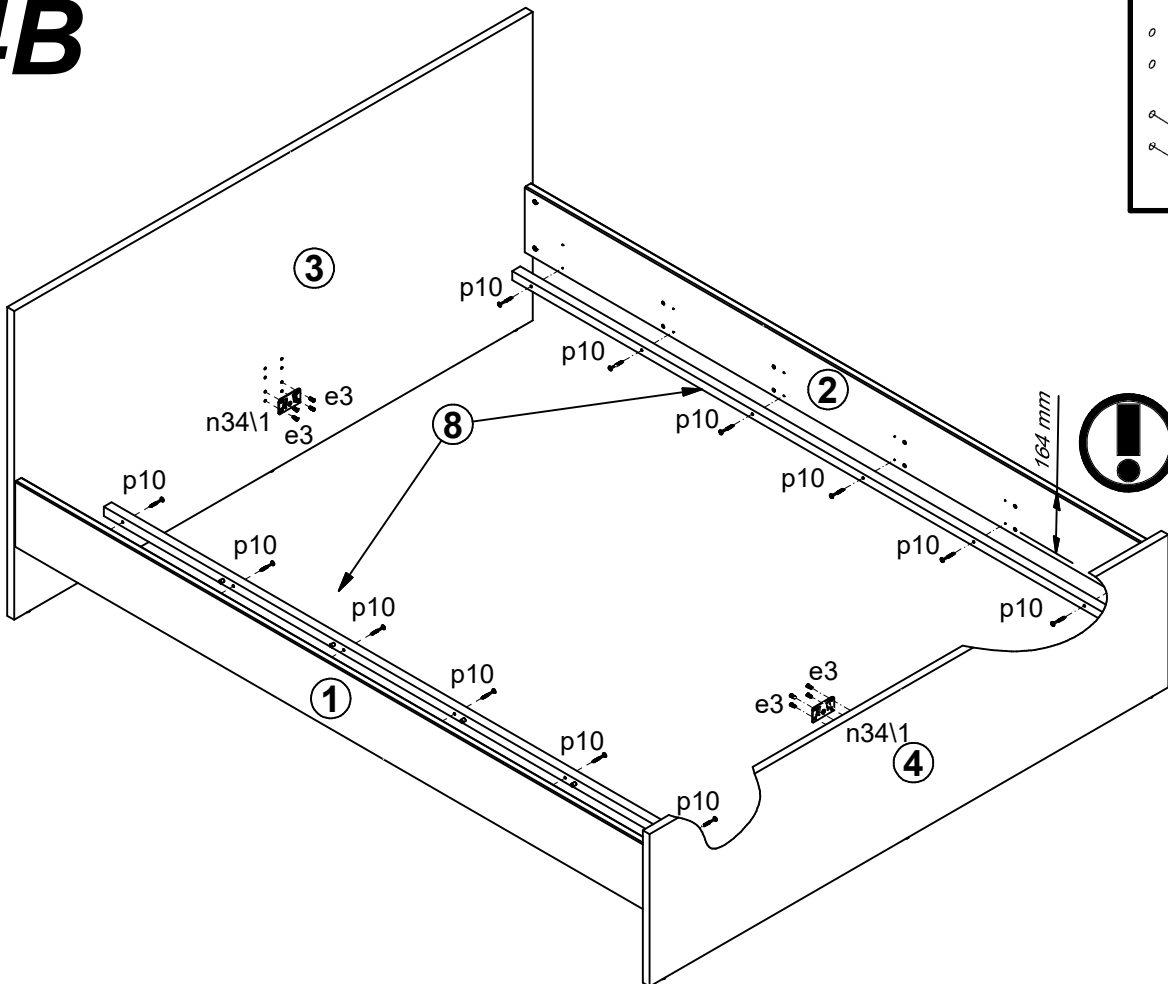
# 4 A



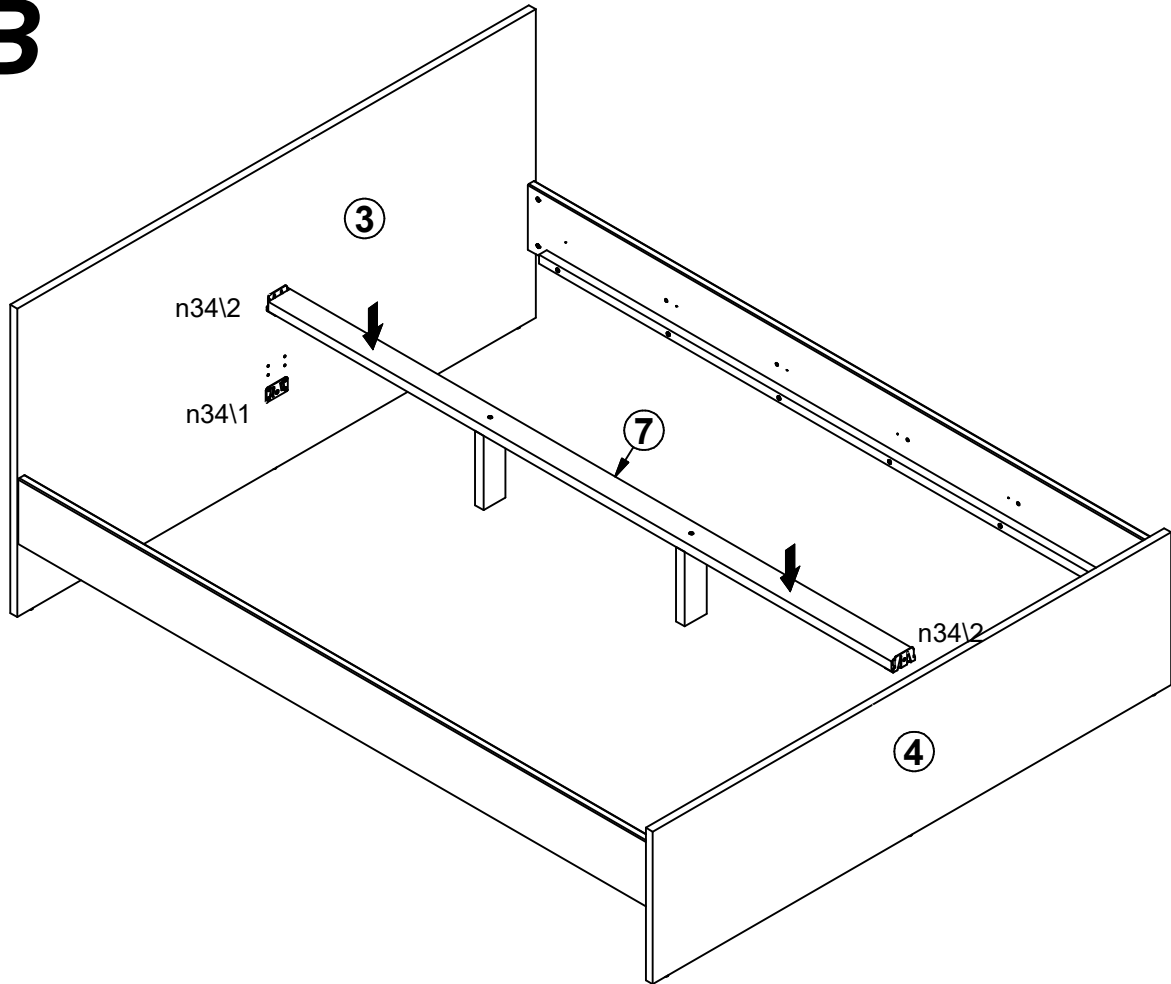
# 5A



# 4B



# 5B



# 6

