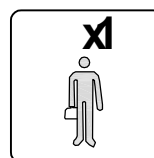
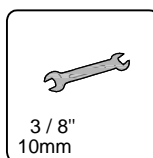
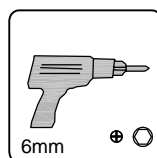
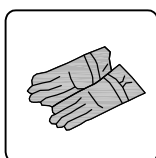
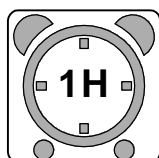
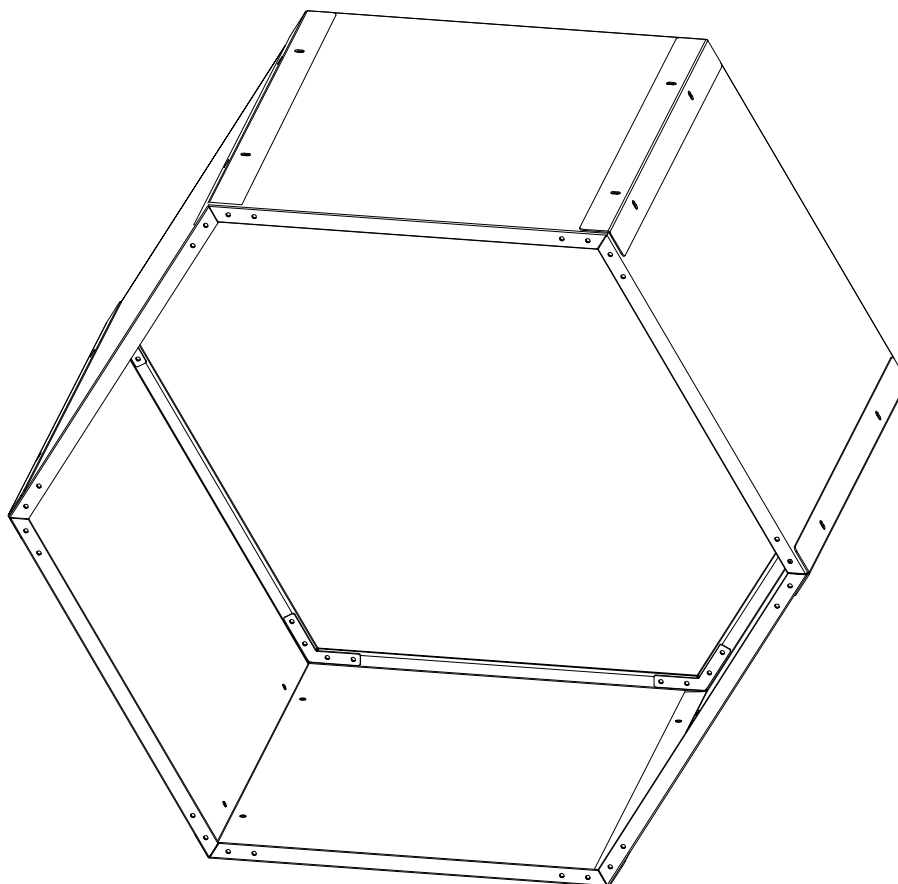


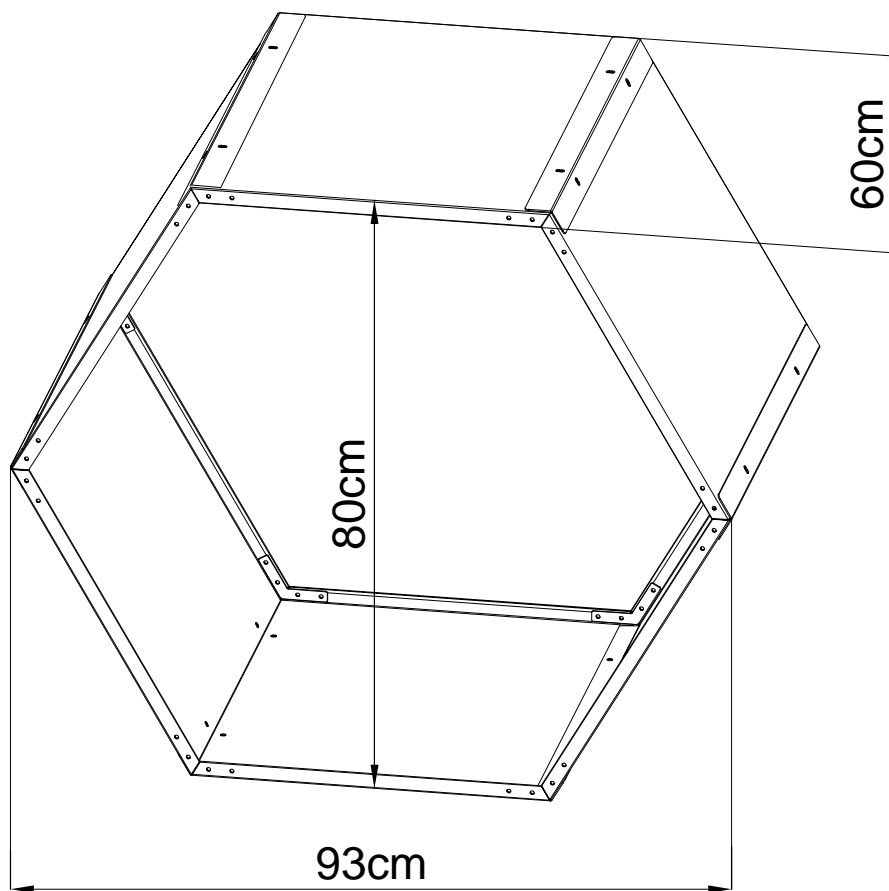
EOS GW-A

NÁVOD K POUŽITÍ /
návod k montáži

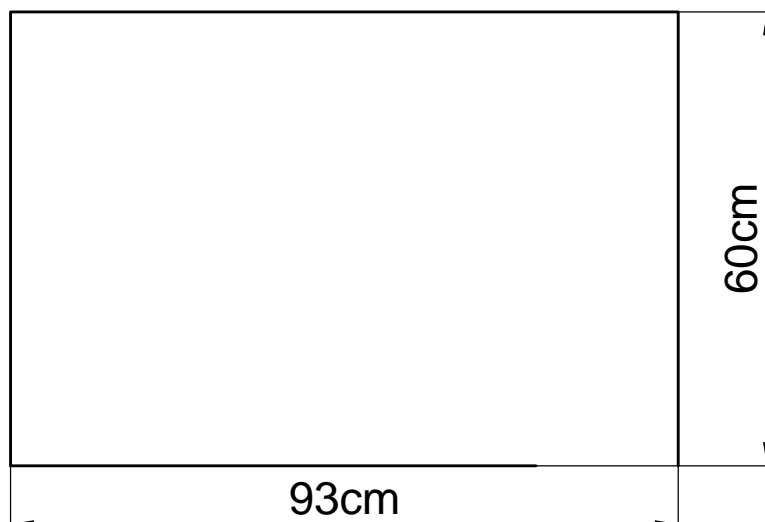







0.6x0.93x0.8m

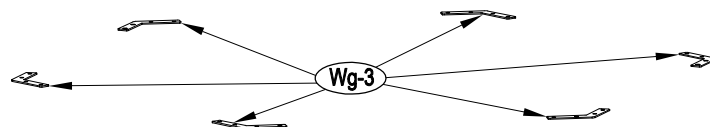
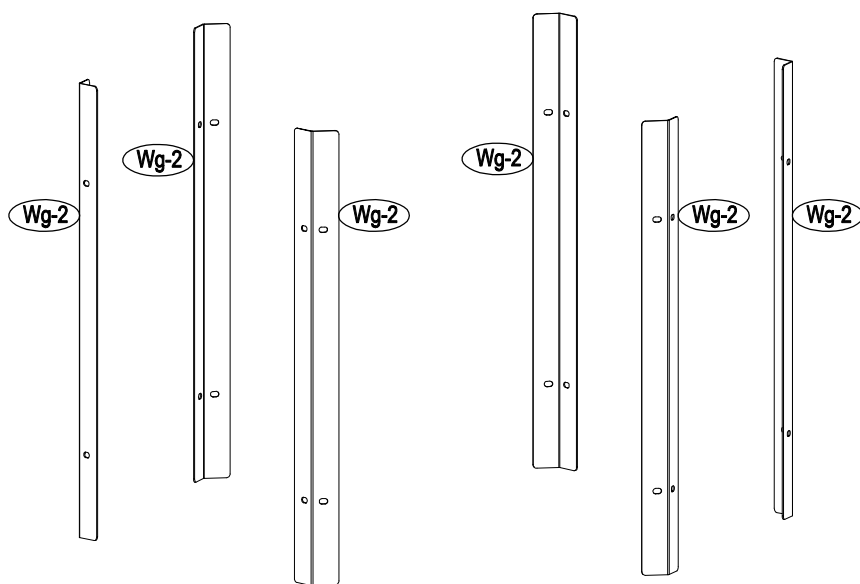
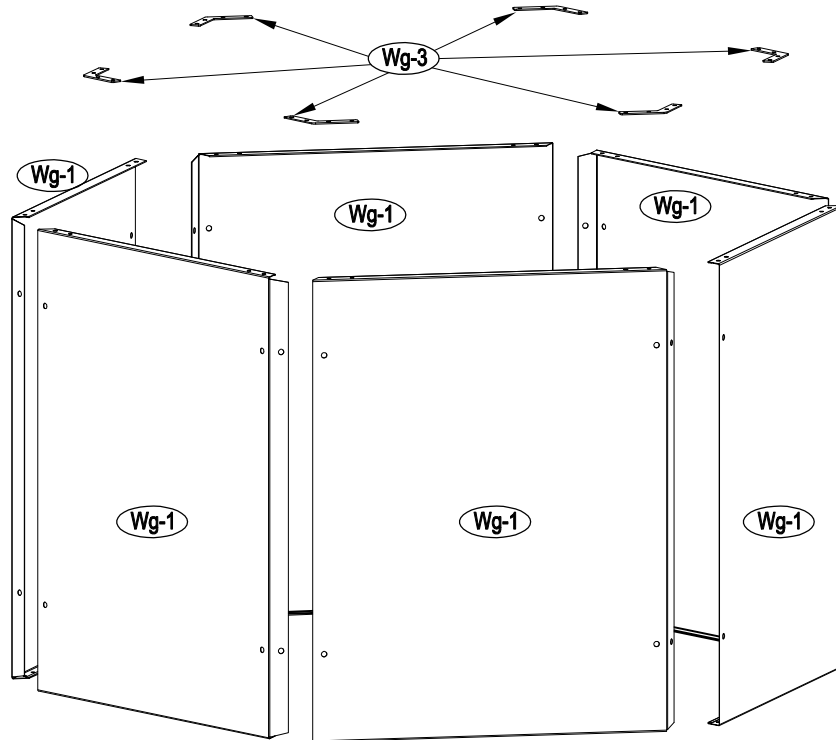
0.6²

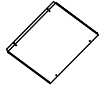
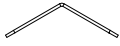



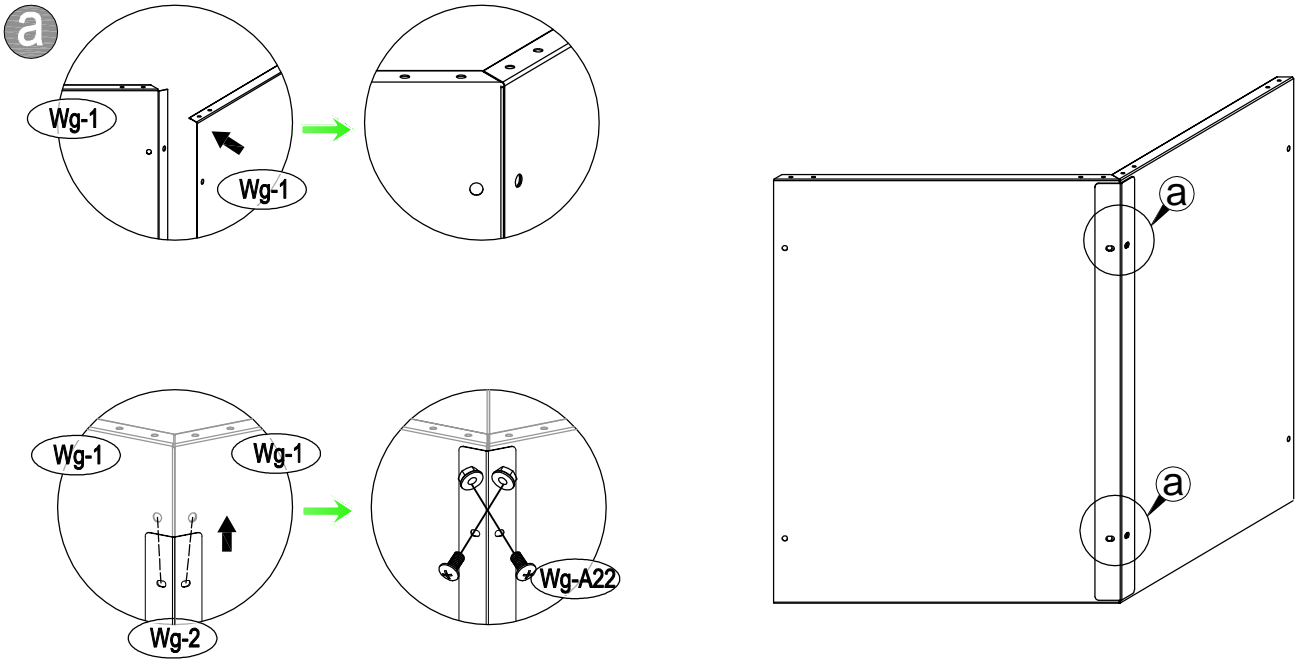
Požadavek na oblast instalace:

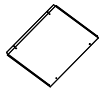
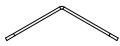



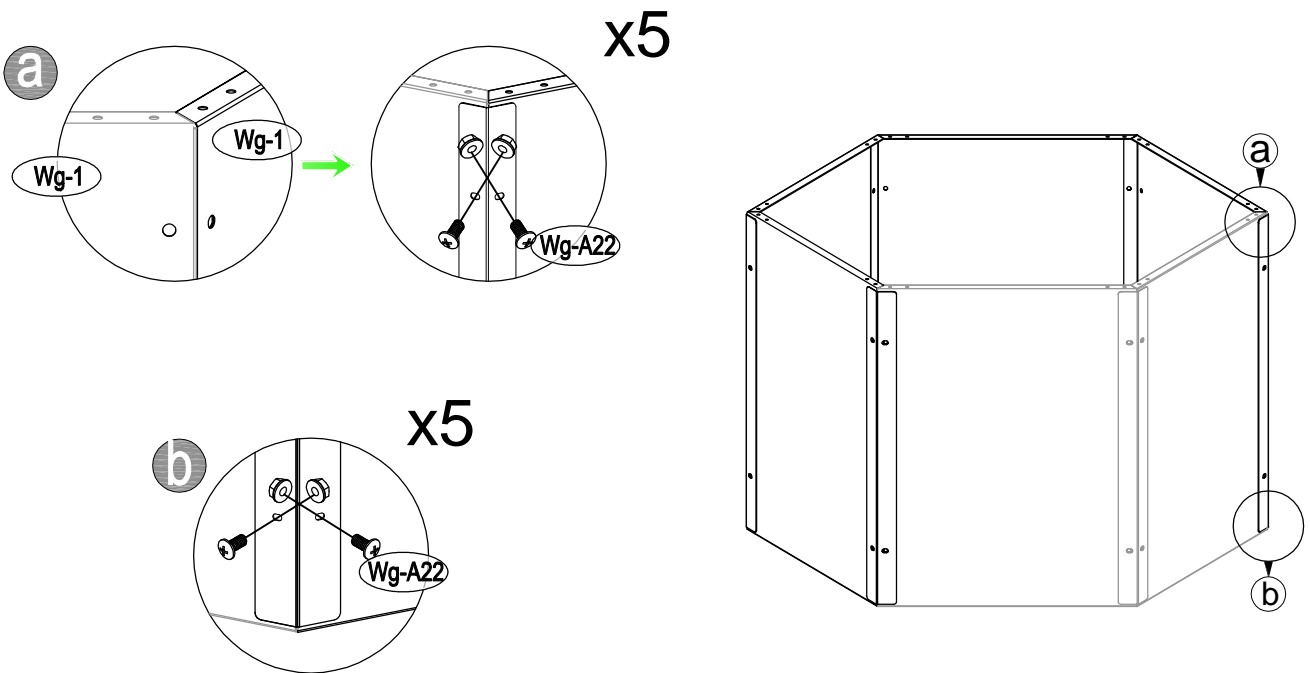
NO.	IMAGE	mm	QTY
Wg-1		600	6
Wg-2		590	6
Wg-3		49	
Wg-A21		M4x10	48
Wg-A22		M6x12	24



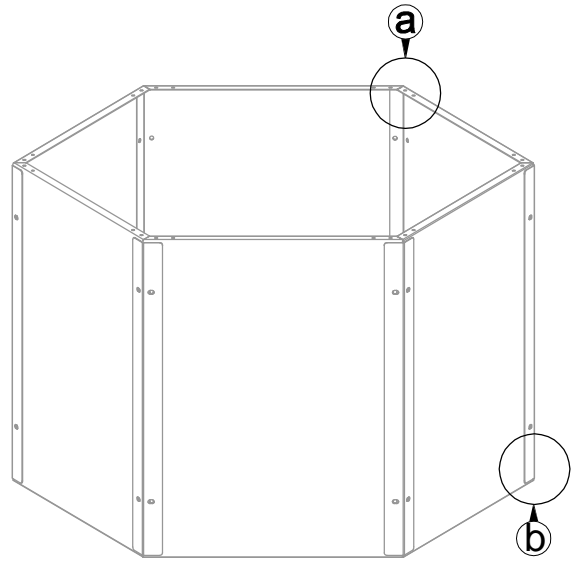
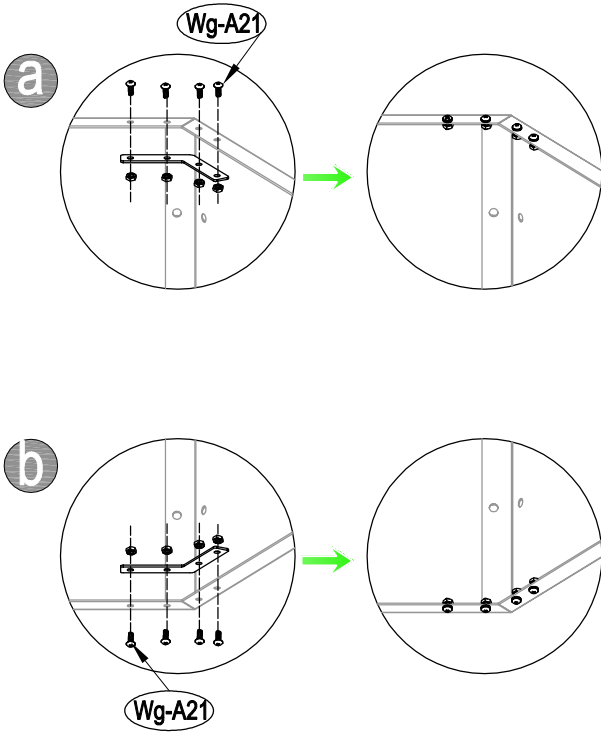
1	 Wg-1 [x2]	 Wg-2 [x1]	 Wg-A22 [x4]		
---	--	--	--	--	--



2	 Wg-1 [x4]	 Wg-2 [x5]	 Wg-A22 [x20]		
---	--	--	---	--	--



3	 Wg-3 [x12]	 Wg-A21 [x48]		
----------	---	---	--	--



4		
----------	--	--

